

Parts List Number :0000087040

Model Number :A4AC3024A1000CA

Part No.	Reference No.	Quantity	Description
0000087696~S	*		CABINET
0000167048~S	*		COMPRESSOR
0000089129~S	*		GENERAL ASSEMBLY
0000101888~S	*		MODEL NUMBER DESCRIPTION
0000087699~S	*		REFRIGERATION

Part No.	Reference No.	Quantity	Description
0000030390~P	*		CABINETRY PARTS LIST

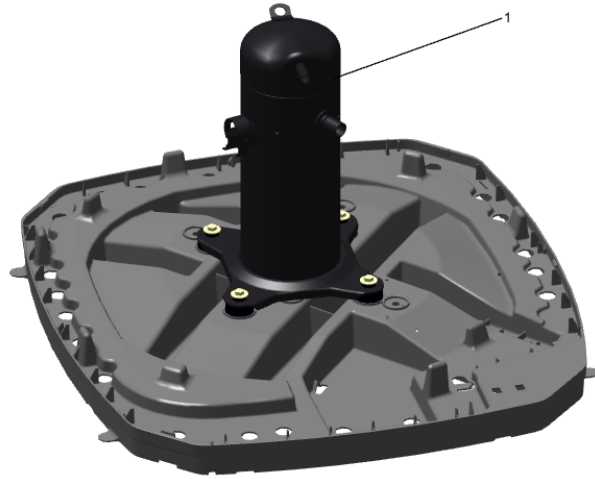
Part No.	Reference No.	Quantity	Description
SCR02010	*	39	SCREW; 12-18 AB HXW 1/2 SN
SCR02054	*	39	SCREW; 12-18 AB HXW 1/2 SN
COV05850		1	COVER; TOP SR 2
COV05850	1	1	COVER; TOP SR 2
BRK05354	4	1	BRACKET; BOTTOM-CONTROLS SR
PNL37031	5	1	PANEL; CONTROL SR 2.2
PNL37023	6	3	PANEL; WRAPPER SR 2.2

COMPRESSOR

Parts List Number :0000087040

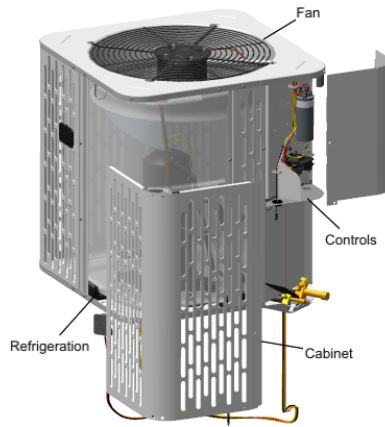
Model Number :A4AC3024A1000CA

Part No.	Reference No.	Quantity	Description
0000038727~P	*		SCROLL COMPRESSOR



Part No.	Reference No.	Quantity	Description
COM11996	1	1	COMPRESSOR; SCROLL; LG; LBA020C1CLA; 1.75 TON; 19,500 BTUH; 208/230-60-1; R-410A; BRAZED; SUCTION 3/4; DISCHARGE 1/2

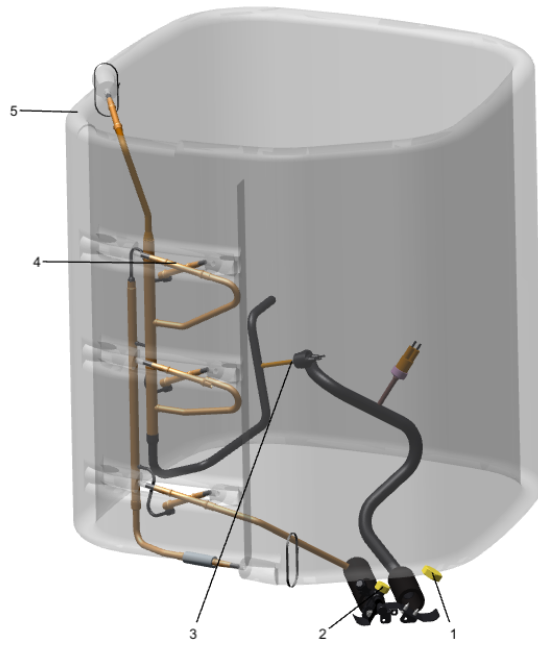
Part No.	Reference No.	Quantity	Description
000004361~P	*		GENERAL ASSEMBLY GRAPHIC



Part No.	Reference No.	Quantity	Description
000009816~P	*		MODEL NUMBER GRAPHIC

MODEL NUMBER DESCRIPTION	75013900	REV A
OUTDOOR UNITS		
<i>Example Model Number:</i> A 4 C A 4 0 3 6 A 1 0 0 0 A A 1 - - - 5 - - - 10 - - - 15		
Digit 1 – Brand A = RunTru Brand		
Digit 2 – Refrigerant Type 4 = R410a		
Digit 3,4 – Product Family AC = Air Conditioner HP = Heat Pump		
Digit 5 – Nominal Efficiency Rating 3 = 13 SEER 4 = 14 SEER 6 = 16 SEER		
Digits 6,7,8 – Nominal Capacity BTU/Hour x 1000		
Digit 9 – Major Design Modifications		
Digit 10 – Electric Power Supply 1 = 200-230/1PH/60Hz or 208-230/1PH/60Hz		
Digit 11,12,13 – Secondary Function 000 = No Secondary Function		
Digit 14 – Minor Design Modifications		
Digit 15 – Unit Parts Identifier		
1 of 1		

Part No.	Reference No.	Quantity	Description
0000052147~P	*		REFRIGERANT PARTS LIST



Part No.	Reference No.	Quantity	Description
CAP00156		0	CAP, TUBE PLUG, .447-.513 OD
SCR02010		4	SCREW; 12-18 AB HXW 1/2 SN
SCR02054		4	SCREW; 12-18 AB HXW 1/2 SN
SLV00082		0	SLEEVE;
SLV00083		0	SLEEVE;
SWT04681		1	SWITCH; LOW PRESSURE BZ
TER00312		0	TERMINAL; 8IN. TIE CABLE
TIE00007		0	TIE;CABLE
TIE00023		2	TIE;CABLE, 8.00IN.
TUB02810		4	TUBE; TRANSITION
VAL19479		1	VALVE; SUCTION (SMV-JA6YHTLA-L16)
VAL20538		1	VALVE-SER LIQ O(06-06)
CAP01336	1	1	CAP; SERVICE LIQUID VALVE, BRASS, 0.75 OD X 0.57 ID X 11/16-28UN-2B
CAP01315	2	1	CAP; SERVICE LIQUID VALVE, BRASS, 1.06 OD X 0.81 ID X 15/16-20UNEF-2B
SWT03274	3	1	SWITCH, HIGH PRESSURE, SPST, OPEN @ 650 PSIG, CLOSE @ 500 PSIG, 75" YELLOW LEAD
TUB11547	4	4	TUBE; TRANSITION ASSEMBLY
COL29592	5	0	COIL; ASM-REPL PACKOUT