

<b>Part No.</b>	<b>Reference No.</b>	<b>Quantity</b>	<b>Description</b>
0000087696~S	*		CABINET
0000087698~S	*		CONTROLS
0000087695~S	*		FAN
0000089129~S	*		GENERAL ASSEMBLY
0000101888~S	*		MODEL NUMBER DESCRIPTION
0000087760~S	*		OPTIONAL ACCESSORIES
0000087699~S	*		REFRIGERATION

<b>Part No.</b>	<b>Reference No.</b>	<b>Quantity</b>	<b>Description</b>
0000003326~P	*		CABINET PARTS LIST
0000030390~P	*		CABINERY PARTS LIST



CABINET PARTS LIST

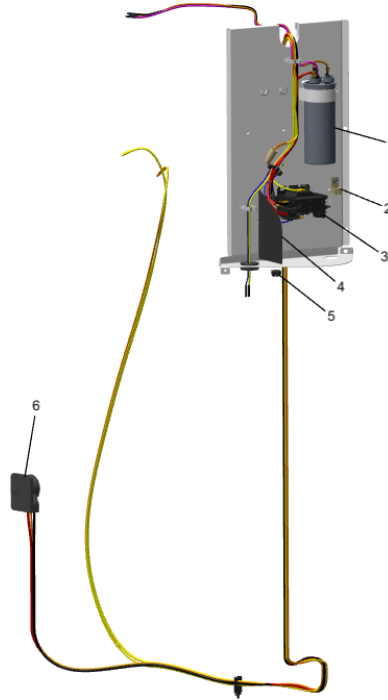
Parts List Number :0000087040

Model Number :A4AC3024A1000AA

<b>Part No.</b>	<b>Reference No.</b>	<b>Quantity</b>	<b>Description</b>
COV05850	1	1	COVER; TOP SR 2
SPC00512	2	1	SPACER; TUBING
COV05853	3	1	COVER; CONTROLS SR
PNL37031	5	1	PANEL; CONTROL SR 2.2
PNL37023	6	3	PANEL; WRAPPER SR 2.2

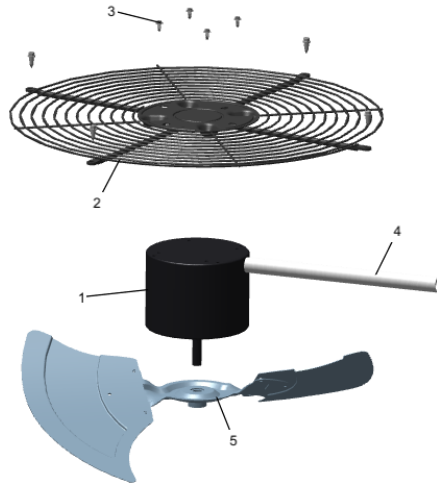
<b>Part No.</b>	<b>Reference No.</b>	<b>Quantity</b>	<b>Description</b>
SCR02010	*	39	SCREW; 12-18 AB HXW 1/2 SN
SCR02054	*	39	SCREW; 12-18 AB HXW 1/2 SN
COV05850		1	COVER; TOP SR 2
COV05850	1	1	COVER; TOP SR 2
BRK05354	4	1	BRACKET; BOTTOM-CONTROLS SR
PNL37031	5	1	PANEL; CONTROL SR 2.2
PNL37023	6	3	PANEL; WRAPPER SR 2.2

Part No.	Reference No.	Quantity	Description
000003653~P	*		CONTROLS PARTS LIST



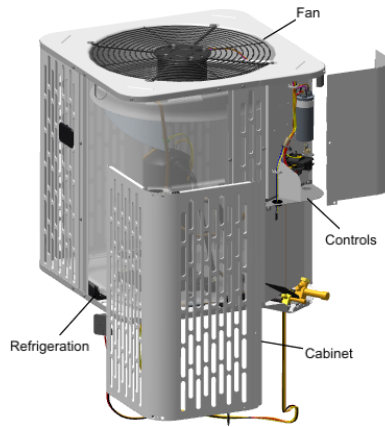
<b>Part No.</b>	<b>Reference No.</b>	<b>Quantity</b>	<b>Description</b>
CPT01844	1	1	CAPACITOR, RUN, 40/5 MFD, 370V, ROUND, W/O RESISTOR
LUG00012	2	1	LUG, GROUND
CTR03142	3	1	CONTACTOR; (LUG STYLE)
PNL31534	4	1	PANEL; VOLTAGE BARRIER; 4.45 X 3.06, BLACK POLYPROPYLENE
PLU00984	5	1	PLUG; LOCKING HOLE
PLU01344	6	1	PLUG; SCROLL COMPRESSOR HARNESS <3T

Part No.	Reference No.	Quantity	Description
000003316~P	*		FAN PARTS LIST



<b>Part No.</b>	<b>Reference No.</b>	<b>Quantity</b>	<b>Description</b>
MOT19273	1	1	MOTOR; FAN 1/8TH HP 6-POLE
GRL02243	2	1	GRILLE; FAN (SR2) (BLACK)
SCR02086	3	4	SCREW; 10-32 TR-3 HXW 3/8 S
GRD01715	4	1	GUARD; TROUGH-LEAD, 11 IN L X 0.83 OD
FAN04635	5	1	FAN; 2 SWEPT BLADES, 18.92 IN DIA, 28 DEG PITCH, 0.50 IN BORE, CCW, ALUMINUM, 1 SET SCREW-STEEL, SPIDER .050 THK

Part No.	Reference No.	Quantity	Description
000004361~P	*		GENERAL ASSEMBLY GRAPHIC



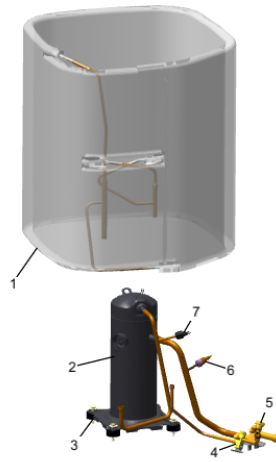
Part No.	Reference No.	Quantity	Description
000009816~P	*		MODEL NUMBER GRAPHIC

MODEL NUMBER DESCRIPTION	75013900	REV A
<b>OUTDOOR UNITS</b>		
<i>Example Model Number:</i> <b>A 4 C A 4 0 3 6 A 1 0 0 0 A A</b> 1 - - - 5 - - - 10 - - - 15		
<b>Digit 1 – Brand</b>		
A = RunTru Brand		
<b>Digit 2 – Refrigerant Type</b>		
4 = R410a		
<b>Digit 3,4 – Product Family</b>		
AC = Air Conditioner		
HP = Heat Pump		
<b>Digit 5 – Nominal Efficiency Rating</b>		
3 = 13 SEER		
4 = 14 SEER		
6 = 16 SEER		
<b>Digits 6,7,8 – Nominal Capacity</b>		
BTU/Hour x 1000		
<b>Digit 9 – Major Design Modifications</b>		
<b>Digit 10 – Electric Power Supply</b>		
1 = 200-230/1PH/60Hz or 208-230/1PH/60Hz		
<b>Digit 11,12,13 – Secondary Function</b>		
000 = No Secondary Function		
<b>Digit 14 – Minor Design Modifications</b>		
<b>Digit 15 – Unit Parts Identifier</b>		
1 of 1		

Part No.	Reference No.	Quantity	Description
000004142~P	*		OPTIONAL ACCESSORIES LIST

Part No.	Reference No.	Quantity	Description
AY28X079	*	1	KIT; LOW TEMP COOLING (AY28X079)
BAYCCHT302RES	*	1	KIT; CRANKCASE HEATER FOR SCROLLS, 40W, 230V (BAYCCHT302RES), 5.5 DIA, 74 IN LENGTH
BAYISLT101	*	1	KIT; ISOLATOR (BAYISLT101) (CONTAINS A QTY OF 5 ISOLATORS)
BAYKSKT267	*	1	KIT; COMPRESSOR START KIT
BAYLEGS004	*	1	KIT; SNOW LEGS, CONTAINS (4) 4" MOUNTING LEGS
BAYLEGS007	*	1	KIT; SNOW LEGS, CONTAINS (4) 7" MOUNTING LEGS
BAYLOAM108	*	1	LOW AMBIENT KIT
BAYSDEN003	*	1	KIT; SOUND ENCLOSURE, (BAYSDEN003), (MODELS WITH SMALL FRAME (QUANTUM) SCROLL COMPRESSORS NO LARGER THAN 16.4" TALL OR 6.6" IN DIAMETER EXCEPT IN CABI
PNL37056	*	1	PANEL; WRAPPER, DURA WRAP, LOWER LTL BARRIER - 2 SR

Part No.	Reference No.	Quantity	Description
000003829~P	*		REFRIGERATION PARTS LIST



Part No.	Reference No.	Quantity	Description
COL29592	1	1	COIL; ASM-REPL PACKOUT
COM10750	2	1	COMPRESSOR; SCROLL, SXA020C1CPA, 1.66 TON, 208-230/60/1, R410A, BRAZED CONN, BLACK
SCR01914	3	4	SCREW, ASSEMBLY COMPRESSOR, 5/16-12 TYPE B, W/WASHER & SLEEVE
VAL09293	4a	1	VALVE, SERVICE LIQUID, .38 OD X .38 OD, VALVE ASSY
CAP01336	4b	1	CAP; SERVICE LIQUID VALVE, BRASS, 0.75 OD X 0.57 ID X 11/16-28UN-2B
VAL19479	5a	1	VALVE; SUCTION (SMV-JA6YHTLA-L16)
CAP01315	5b	1	CAP; SERVICE LIQUID VALVE, BRASS, 1.06 OD X 0.81 ID X 15/16-20UNEF-2B
SWT03654	6	1	SWITCH; LOW PRESSURE, OPEN @ 50 PSIG, CLOSE @ 70 PSIG
SWT03274	7	1	SWITCH, HIGH PRESSURE, SPST, OPEN @ 650 PSIG, CLOSE @ 500 PSIG, 75' YELLOW LEAD