

| Part No. | Reference No. | Quantity | Description |
|-----------------|----------------------|-----------------|--------------------------|
| 0000147490~S | * | | CABINET |
| 0000185553~S | * | | COMPRESSOR |
| 0000147489~S | * | | CONTROLS |
| 0000147488~S | * | | FAN |
| 0000147486~S | * | | GENERAL ASSEMBLY |
| 0000147492~S | * | | MODEL NUMBER DESCRIPTION |
| 0000147487~S | * | | REFRIGERATION |

| Part No. | Reference No. | Quantity | Description |
|--------------|---------------|----------|--------------------|
| 0000026030~P | * | | CABINET PARTS LIST |

CABINET PARTS LIST

Parts List Number :0000147280

Model Number :A4AC3023D1000AA

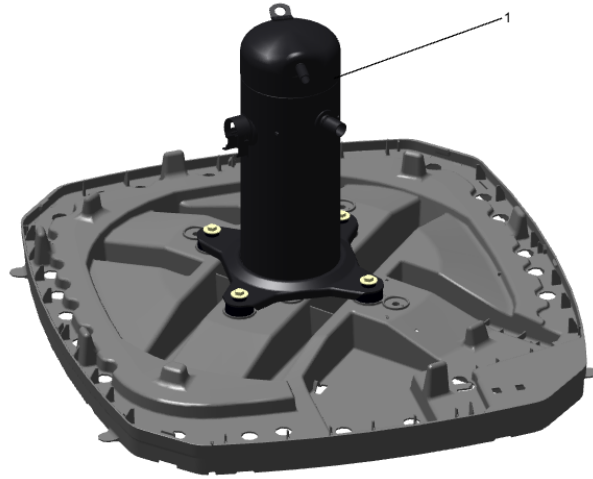
| Part No. | Reference No. | Quantity | Description |
|-----------------|----------------------|-----------------|----------------------------|
| SCR02010 | * | 39 | SCREW; 12-18 AB HXW 1/2 SN |
| SCR02054 | * | 39 | SCREW; 12-18 AB HXW 1/2 SN |
| COV05854 | 1 | 1 | COVER; TOP |
| PNL37042 | 2 | 3 | PANEL; WRAPPER 1A.3 |
| PNL37044 | 4 | 1 | PANEL; CONTROL SR 1A.3 |
| COV05853 | 6 | 1 | COVER; CONTROLS SR |

COMPRESSOR

Parts List Number :0000147280

Model Number :A4AC3023D1000AA

| Part No. | Reference No. | Quantity | Description |
|--------------|---------------|----------|-------------------|
| 0000040954~P | * | | SCROLL COMPRESSOR |



| Part No. | Reference No. | Quantity | Description |
|----------|---------------|----------|---|
| COM13598 | 1 | 1 | COMPRESSOR; SCROLL, 1.67 TON, R-410A, 230V/1PH/60HZ WITH HYBRID MOTOR |

CONTROLS

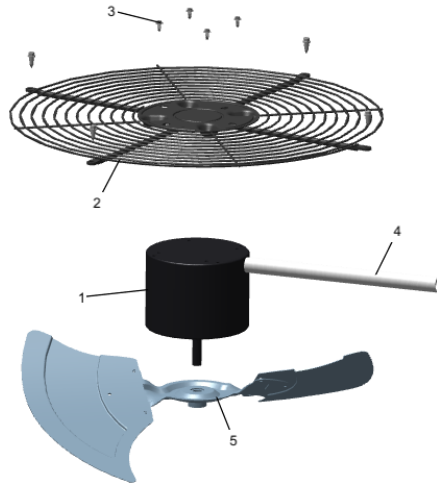
Parts List Number :0000147280

Model Number :A4AC3023D1000AA

| Part No. | Reference No. | Quantity | Description |
|--------------|---------------|----------|------------------|
| 0000030358~P | * | | CONTROLS-COOLING |

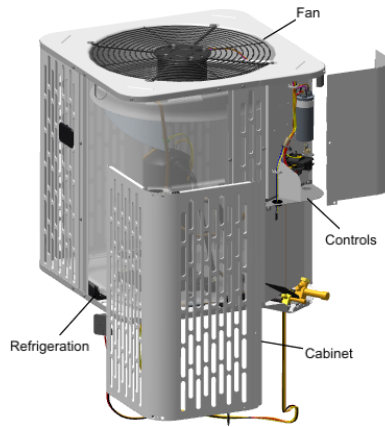
| Part No. | Reference No. | Quantity | Description |
|-----------------|----------------------|-----------------|--|
| CON00241 | * | 1 | CONNECTOR; WIRE |
| PLU01344 | * | 1 | PLUG; SCROLL COMPRESSOR HARNESS <3T |
| SCR01918 | * | 3 | SCREW, 10-24 THREAD ROLL, INDENT HEX WASHER HD |
| CPT00977 | 1 | 1 | CAPACITOR; DUAL, 35/5 MFD, 440V, ROUND, W/O RESISTOR |
| LUG00012 | 2 | 1 | LUG, GROUND |
| CTR03142 | 3 | 1 | CONTACTOR; (LUG STYLE) |
| PLU00984 | 4 | 1 | PLUG; LOCKING HOLE |

| Part No. | Reference No. | Quantity | Description |
|--------------|---------------|----------|----------------|
| 0000025999~P | * | | FAN PARTS LIST |



| Part No. | Reference No. | Quantity | Description |
|-----------------|----------------------|-----------------|---------------------------------------|
| MOT19273 | 1 | 1 | MOTOR; FAN 1/8TH HP 6-POLE |
| GRL02242 | 2 | 1 | GRILLE; FAN (SR-1A) (BLACK) |
| SCR02086 | 3 | 4 | SCREW; 10-32 TR-3 HXW 3/8 S |
| GRD01715 | 4 | 1 | GUARD; TROUGH-LEAD, 11 IN L X 0.83 OD |
| BLD01360 | 5 | 1 | BLADE; FAN BASE 1 PADDLE |

| Part No. | Reference No. | Quantity | Description |
|--------------|---------------|----------|--------------------------|
| 0000026020~P | * | | GENERAL ASSEMBLY GRAPHIC |



| Part No. | Reference No. | Quantity | Description |
|--------------|---------------|----------|--------------------------|
| 0000026111~P | * | | MODEL NUMBER DESCRIPTION |

MODEL NUMBER DESCRIPTION

75005587

REL
C

OUTDOOR UNITS

Example Model Number:

4 A 7 A 0 0 3 6 A 1 0 0 0 A A
1 - - - 5 - - - 10 - - - 15

Digit 1 – Refrigerant Type

2 = R-22
4 = R-410A

Digit 2 – American Standard

Digit 3 – Product Type

6,W = Split Heat Pump
7,T = Split Cooling

Digit 4 – Product Family

V = Variable Speed
Z = Leadership - Two Stage
X = Leadership
R = Replacement/Retail
M or B = Basic
A = Light Commercial
L = Side Discharge

Digit 5 – Family SEER

3 = 13 7 = 17
4 = 14 8 = 18
5 = 15 9 = 19
6 = 16 0 = 20

Digits 6 – Split System Connections 1-6 Tons

0 = Brazed

Digits 7,8 – Nominal Capacity in 000s BTUs

Digit 9 – Major Design Modifications

Digit 10 – Power Supply

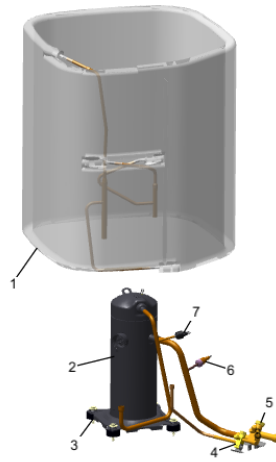
1 = 200-230/1/60 or 208-230/1/60
3 = 200-230/3/60
4 = 460/3/60

Digit 11,12,13 – Secondary Function

Digit 14 – Minor Design Modifications

Digit 15 – Unit Parts Identifier

| Part No. | Reference No. | Quantity | Description |
|--------------|---------------|----------|--------------------------|
| 0000026138~P | * | | REFRIGERATION PARTS LIST |



| Part No. | Reference No. | Quantity | Description |
|----------|---------------|----------|---|
| CAP00156 | * | 0 | CAP, TUBE PLUG, .447-.513 OD |
| SCR02054 | * | 4 | SCREW; 12-18 AB HXW 1/2 SN |
| SLV00082 | * | 0 | SLEEVE; |
| SLV00083 | * | 0 | SLEEVE; |
| TER00312 | * | 0 | TERMINAL; 8IN. TIE CABLE |
| TIE00007 | * | 0 | TIE;CABLE |
| TIE00023 | * | 2 | TIE;CABLE, 8.00IN. |
| TUB02810 | * | 8 | TUBE; TRANSITION |
| TUB11547 | * | 8 | TUBE; TRANSITION ASSEMBLY |
| COL29600 | 1 | 0 | COIL; ASM-REPL PACKOUT |
| SCR02010 | 3 | 4 | SCREW; 12-18 AB HXW 1/2 SN |
| CAP01336 | 4 | 1 | CAP; SERVICE LIQUID VALVE, BRASS, 0.75 OD X 0.57 ID X 11/16-28UN-2B |
| CAP01315 | 5 | 1 | CAP; SERVICE LIQUID VALVE, BRASS, 1.06 OD X 0.81 ID X 15/16-20UNEF-2B |
| VAL19479 | 5a | 1 | VALVE; SUCTION (SMV-JA6YHTLA-L16) |
| SWT03274 | 7 | 1 | SWITCH, HIGH PRESSURE, SPST, OPEN @ 650 PSIG, CLOSE @ 500 PSIG, 75" YELLOW LEAD |