

Part No.	Reference No.	Quantity	Description
0000087696~S	*		CABINET
0000167048~S	*		COMPRESSOR
0000087698~S	*		CONTROLS
0000087695~S	*		FAN
0000089129~S	*		GENERAL ASSEMBLY
0000101888~S	*		MODEL NUMBER DESCRIPTION
0000087699~S	*		REFRIGERATION

Part No.	Reference No.	Quantity	Description
0000026027~P	*		CABINET PARTS LIST

CABINET PARTS LIST

Parts List Number :0000087040

Model Number :A4AC3023A1000CA

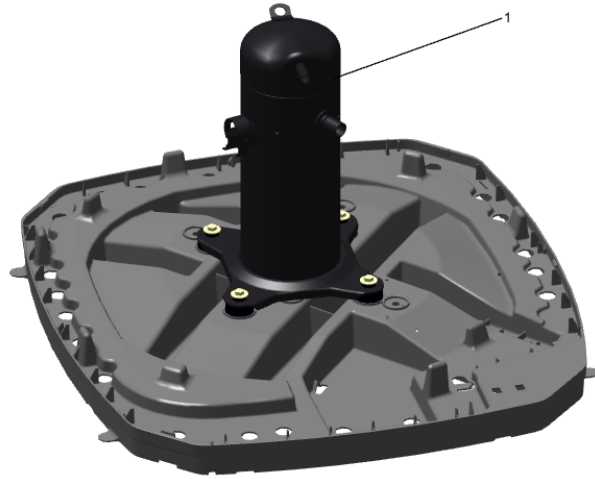
Part No.	Reference No.	Quantity	Description
SCR02010	*	39	SCREW; 12-18 AB HXW 1/2 SN
SCR02054	*	39	SCREW; 12-18 AB HXW 1/2 SN
COV05854	1	1	COVER; TOP
PNL37041	2	3	PANEL; WRAPPER 1A.2
PNL37043	4	1	PANEL; CONTROL SR 1A.2
COV05853	6	1	COVER; CONTROLS SR

COMPRESSOR

Parts List Number :0000087040

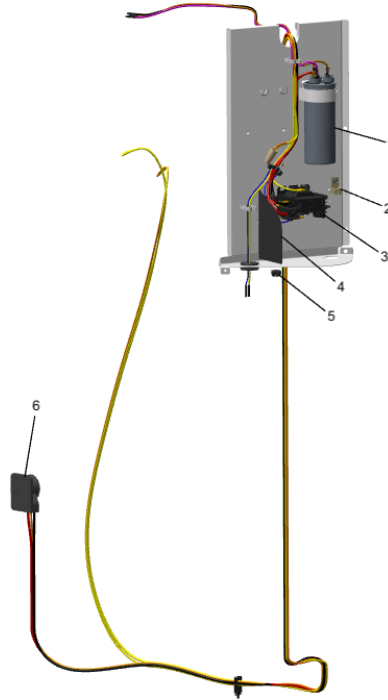
Model Number :A4AC3023A1000CA

Part No.	Reference No.	Quantity	Description
0000038727~P	*		SCROLL COMPRESSOR



Part No.	Reference No.	Quantity	Description
COM11996	1	1	COMPRESSOR; SCROLL; LG; LBA020C1CLA; 1.75 TON; 19,500 BTUH; 208/230-60-1; R-410A; BRAZED; SUCTION 3/4; DISCHARGE 1/2

Part No.	Reference No.	Quantity	Description
0000052128~P	*		CONTROLS PARTS LIST



Part No.	Reference No.	Quantity	Description
CON00241	*	1	CONNECTOR; WIRE
PLU01346	*	1	PLUG; SCROLL COMPRESSOR HARNESS 3T LG
SCR01918	*	3	SCREW, 10-24 THREAD ROLL, INDENT HEX WASHER HD
CTR03142	1	1	CONTACTOR; (LUG STYLE)
LUG00012	2	1	LUG, GROUND
CPT00977	3	1	CAPACITOR; DUAL, 35/5 MFD, 440V, ROUND, W/O RESISTOR
PLU00984	5	1	PLUG; LOCKING HOLE

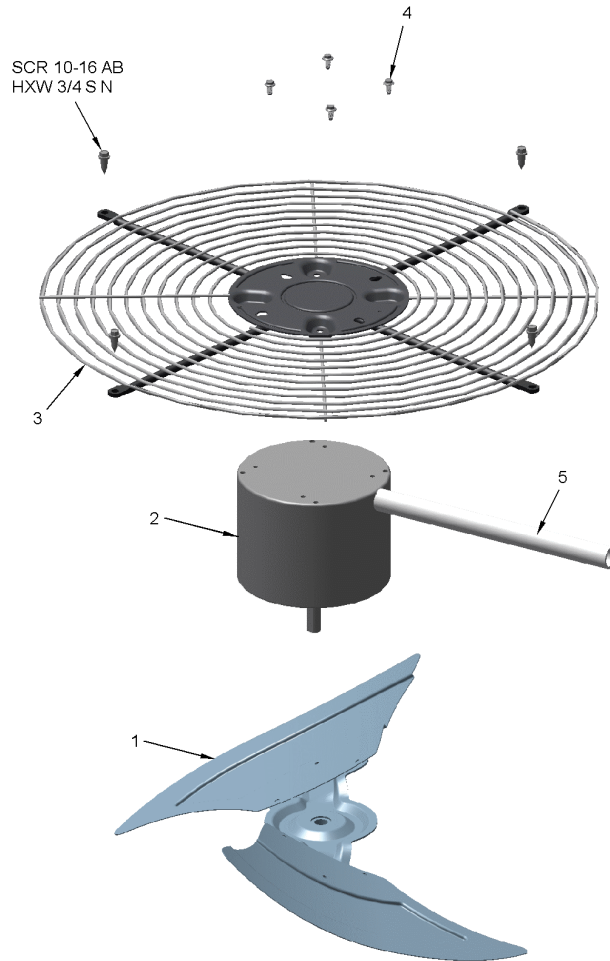
Part No.	Reference No.	Quantity	Description
0000036057~P	*		FAN PARTS LIST

FAN

75010676

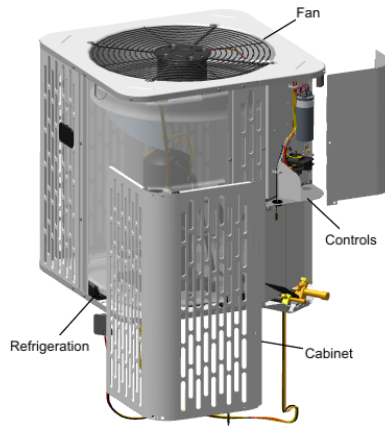
REV
A

TYPICAL ILLUSTRATION



Part No.	Reference No.	Quantity	Description
SCR02086	1	4	SCREW; 10-32 TR-3 HXW 3/8 S
GRD01715	2	1	GUARD; TROUGH-LEAD, 11 IN L X 0.83 OD
MOT19273	3	1	MOTOR; FAN 1/8TH HP 6-POLE
BLD01360	4	1	BLADE; FAN BASE 1 PADDLE

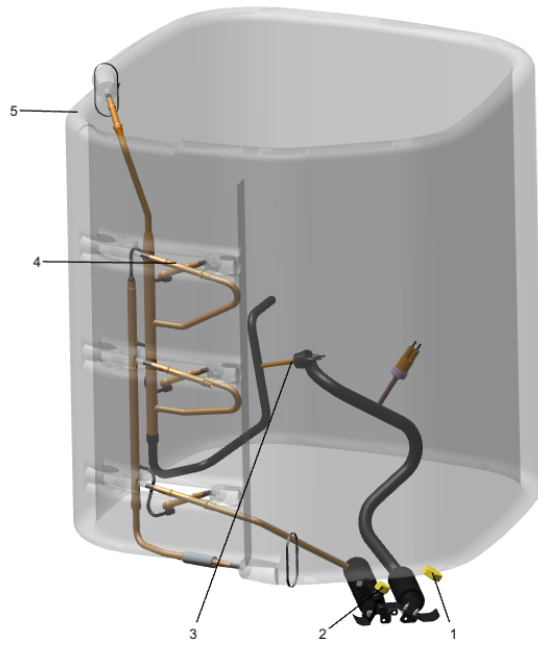
Part No.	Reference No.	Quantity	Description
000004361~P	*		GENERAL ASSEMBLY GRAPHIC



Part No.	Reference No.	Quantity	Description
000009816~P	*		MODEL NUMBER GRAPHIC

MODEL NUMBER DESCRIPTION	75013900	REV A
OUTDOOR UNITS		
<i>Example Model Number:</i> A 4 C A 4 0 3 6 A 1 0 0 0 A A 1 - - - 5 - - - 10 - - - 15		
<p>Digit 1 – Brand A = RunTru Brand</p> <p>Digit 2 – Refrigerant Type 4 = R410a</p> <p>Digit 3,4 – Product Family AC = Air Conditioner HP = Heat Pump</p> <p>Digit 5 – Nominal Efficiency Rating 3 = 13 SEER 4 = 14 SEER 6 = 16 SEER</p> <p>Digits 6,7,8 – Nominal Capacity BTU/Hour x 1000</p> <p>Digit 9 – Major Design Modifications</p> <p>Digit 10 – Electric Power Supply 1 = 200-230/1PH/60Hz or 208-230/1PH/60Hz</p> <p>Digit 11,12,13 – Secondary Function 000 = No Secondary Function</p> <p>Digit 14 – Minor Design Modifications</p> <p>Digit 15 – Unit Parts Identifier</p>		
1 of 1		

Part No.	Reference No.	Quantity	Description
0000052129~P	*		REFRIGERANT PARTS LIST



Part No.	Reference No.	Quantity	Description
CAP00156		0	CAP, TUBE PLUG, .447-.513 OD
SCR02010		4	SCREW; 12-18 AB HXW 1/2 SN
SCR02054		4	SCREW; 12-18 AB HXW 1/2 SN
SLV00082		0	SLEEVE;
SLV00083		0	SLEEVE;
SWT04681		1	SWITCH; LOW PRESSURE BZ
TER00312		0	TERMINAL; 8IN. TIE CABLE
TIE00007		0	TIE;CABLE
TIE00023		2	TIE;CABLE, 8.00IN.
TUB02810		4	TUBE; TRANSITION
VAL19479		1	VALVE; SUCTION (SMV-JA6YHTLA-L16)
VAL20538		1	VALVE-SER LIQ O(06-06)
CAP01336	1	1	CAP; SERVICE LIQUID VALVE, BRASS, 0.75 OD X 0.57 ID X 11/16-28UN-2B
CAP01315	2	1	CAP; SERVICE LIQUID VALVE, BRASS, 1.06 OD X 0.81 ID X 15/16-20UNEF-2B
SWT03274	3	1	SWITCH, HIGH PRESSURE, SPST, OPEN @ 650 PSIG, CLOSE @ 500 PSIG, 75" YELLOW LEAD
TUB11547	4	4	TUBE; TRANSITION ASSEMBLY
COL29591	5	0	COIL; ASM-REPL PACKOUT