

<b>Part No.</b>	<b>Reference No.</b>	<b>Quantity</b>	<b>Description</b>
0000147490~S	*		CABINET
0000186505~S	*		COMPRESSOR MOUNTING
0000185553~S	*		COMPRESSOR
0000147489~S	*		CONTROLS
0000147488~S	*		FAN
0000147486~S	*		GENERAL ASSEMBLY
0000147492~S	*		MODEL NUMBER DESCRIPTION
0000147487~S	*		REFRIGERATION

Part No.	Reference No.	Quantity	Description
0000026027~P	*		CABINET PARTS LIST

<b>Part No.</b>	<b>Reference No.</b>	<b>Quantity</b>	<b>Description</b>
SCR02010	*	39	SCREW; 12-18 AB HXW 1/2 SN
SCR02054	*	39	SCREW; 12-18 AB HXW 1/2 SN
COV05854	1	1	COVER; TOP
PNL37041	2	3	PANEL; WRAPPER 1A.2
PNL37043	4	1	PANEL; CONTROL SR 1A.2
COV05853	6	1	COVER; CONTROLS SR

COMPRESSOR

Parts List Number :0000147280

Model Number :A4AC3018D1000AA

<b>Part No.</b>	<b>Reference No.</b>	<b>Quantity</b>	<b>Description</b>
0000041487~P	*		COMPRESSOR MTG
0000039265~P	*		SCROLL COMPRESSOR

<b>Part No.</b>	<b>Reference No.</b>	<b>Quantity</b>	<b>Description</b>
ISR00362	1	4	ISOLATOR; VIBRATION
SCR01914	2	4	SCREW, ASSEMBLY COMPRESSOR, 5/16-12 TYPE B, W/WASHER & SLEEVE

Part No.	Reference No.	Quantity	Description
COM13535		1	COMPRESSOR; SCROLL, SBA014C1CAA

Part No.	Reference No.	Quantity	Description
0000041487~P	*		COMPRESSOR MTG

<b>Part No.</b>	<b>Reference No.</b>	<b>Quantity</b>	<b>Description</b>
ISR00362	1	4	ISOLATOR; VIBRATION
SCR01914	2	4	SCREW, ASSEMBLY COMPRESSOR, 5/16-12 TYPE B, W/WASHER & SLEEVE

CONTROLS

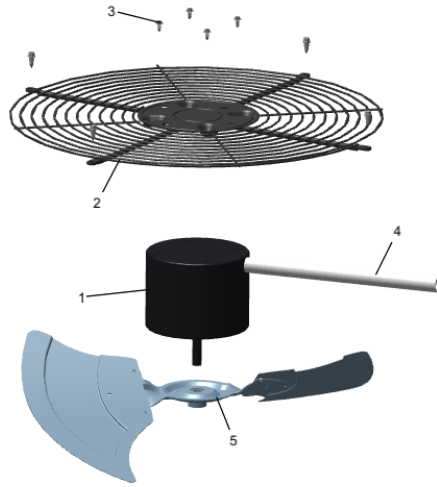
Parts List Number :0000147280

Model Number :A4AC3018D1000AA

Part No.	Reference No.	Quantity	Description
0000030358~P	*		CONTROLS-COOLING

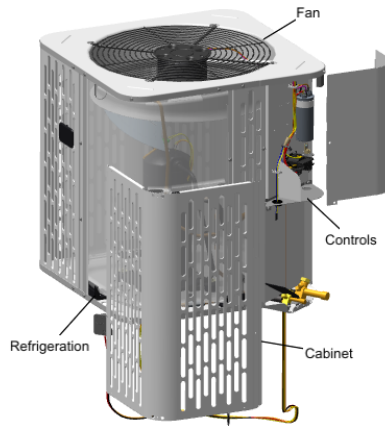
<b>Part No.</b>	<b>Reference No.</b>	<b>Quantity</b>	<b>Description</b>
CON00241	*	1	CONNECTOR; WIRE
PLU01344	*	1	PLUG; SCROLL COMPRESSOR HARNESS <3T
SCR01918	*	3	SCREW, 10-24 THREAD ROLL, INDENT HEX WASHER HD
CPT00977	1	1	CAPACITOR; DUAL, 35/5 MFD, 440V, ROUND, W/O RESISTOR
LUG00012	2	1	LUG, GROUND
CTR03142	3	1	CONTACTOR; (LUG STYLE)
PLU00984	4	1	PLUG; LOCKING HOLE

Part No.	Reference No.	Quantity	Description
0000025996~P	*		FAN PARTS LIST



<b>Part No.</b>	<b>Reference No.</b>	<b>Quantity</b>	<b>Description</b>
MOT19951	1	1	MOTOR; 1/12 HP-48 FRAME PSC
GRL02242	2	1	GRILLE; FAN (SR-1A) (BLACK)
SCR02086	3	4	SCREW; 10-32 TR-3 HXW 3/8 S
GRD01715	4	1	GUARD; TROUGH-LEAD, 11 IN L X 0.83 OD
BLD01360	5	1	BLADE; FAN BASE 1 PADDLE

Part No.	Reference No.	Quantity	Description
0000026020~P	*		GENERAL ASSEMBLY GRAPHIC



Part No.	Reference No.	Quantity	Description
0000026111~P	*		MODEL NUMBER DESCRIPTION

MODEL NUMBER DESCRIPTION

75005587

REL  
C

OUTDOOR UNITS

*Example Model Number:*

**4 A 7 A 0 0 3 6 A 1 0 0 0 A A**  
1 - - - 5 - - - 10 - - - 15

**Digit 1 – Refrigerant Type**

2 = R-22  
4 = R-410A

**Digit 2 – American Standard**

**Digit 3 – Product Type**

6,W = Split Heat Pump  
7,T = Split Cooling

**Digit 4 – Product Family**

V = Variable Speed  
Z = Leadership - Two Stage  
X = Leadership  
R = Replacement/Retail  
M or B = Basic  
A = Light Commercial  
L = Side Discharge

**Digit 5 – Family SEER**

3 = 13      7 = 17  
4 = 14      8 = 18  
5 = 15      9 = 19  
6 = 16      0 = 20

**Digits 6 – Split System Connections 1-6 Tons**

0 = Brazed

**Digits 7,8 – Nominal Capacity in 000s BTUs**

**Digit 9 – Major Design Modifications**

**Digit 10 – Power Supply**

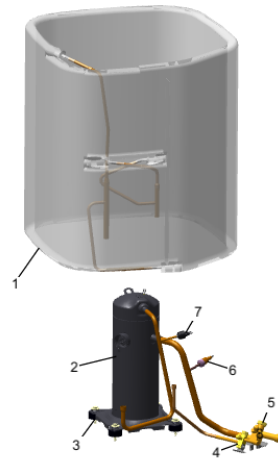
1 = 200-230/1/60 or 208-230/1/60  
3 = 200-230/3/60  
4 = 460/3/60

**Digit 11,12,13 – Secondary Function**

**Digit 14 – Minor Design Modifications**

**Digit 15 – Unit Parts Identifier**

Part No.	Reference No.	Quantity	Description
0000026140~P	*		REFRIGERATION PARTS LIST



Part No.	Reference No.	Quantity	Description
CAP00156		0	CAP, TUBE PLUG, .447-.513 OD
SCR02054		4	SCREW; 12-18 AB HXW 1/2 SN
SLV00082		0	SLEEVE;
SLV00083		0	SLEEVE;
TER00312		0	TERMINAL; 8IN. TIE CABLE
TIE00007		0	TIE;CABLE
TIE00023		2	TIE;CABLE, 8.00IN.
TUB02810		4	TUBE; TRANSITION
TUB11547		4	TUBE; TRANSITION ASSEMBLY
COL29591	1	0	COIL; ASM-REPL PACKOUT
COM13535	2	1	COMPRESSOR; SCROLL, SBA014C1CAA
SCR02010	3	4	SCREW; 12-18 AB HXW 1/2 SN
CAP01336	4	1	CAP; SERVICE LIQUID VALVE, BRASS, 0.75 OD X 0.57 ID X 11/16-28UN-2B
VAL19477	5a	1	VALVE; SUCTION (SMV-JA6YHTLA-L17)
CAP01315	5b	1	CAP; SERVICE LIQUID VALVE, BRASS, 1.06 OD X 0.81 ID X 15/16-20UNEF-2B
SWT03274	7	1	SWITCH, HIGH PRESSURE, SPST, OPEN @ 650 PSIG, CLOSE @ 500 PSIG, 75" YELLOW LEAD