



**QUICK RESPONSE  
 CONCEALED  
 EXTENDED COVERAGE  
 LIGHT HAZARD  
 AUTOMATIC SPRINKLERS  
 MODEL GL8114  
 HORIZONTAL SIDEWALL**

**DESCRIPTION AND OPERATION**

The Globe Quick Response GL8114 Extended Coverage Horizontal Sidewall Adjustable Concealed Sprinklers for light hazard occupancies, have the lowest profile available for this type of sprinkler, providing an aesthetically pleasing design. They can be installed wherever standard extended coverage horizontal sidewall sprinklers are specified when allowed by the applicable standards, and in accordance with NFPA 13. The sprinkler has 1/2" of adjustment for ease of installation. All that is seen on the wall is a 3 1/4" diameter wall plate color finished to match the specifiers exact requirements. In addition to making the sprinkler much less noticeable, the wall plate assembly also provides protection for the sprinkler from flying or hanging objects.

The heart of Globe's Model GL Series sprinkler proven actuating assembly is a hermetically sealed frangible glass ampule that contains a precisely measured amount of fluid. At the rated temperature the internal pressure within the ampule exceeds the strength of the glass causing the glass to shatter. This results in water discharge which is distributed in an approved pattern. The wall plate is soldered to the sprinkler's special upper support assembly in three places. Upon the application of sufficient heat, the plate falls to the floor exposing the quick response sprinkler.

**TECHNICAL DATA**

- See reverse side for Approvals and Specifications.
- Temperature Ratings -  
 135°F (57°C) Sprinkler, 135°F (57°C) Cover Plate;
- Water Working Pressure Rating - 175 psi (12 Bars).
- Factory tested hydrostatically to 500 psi (34 Bars).
- Maximum low temperature glass bulb rating is -67°F (-55°C).
- Frame - bronze • Deflector - brass • Screw - brass
- Bulb seat - copper • Spring - nickel alloy • Seal - teflon
- Bulb - glass with alcohol based solution, 3mm size.
- Cover Plate - brass
- Upper Escutcheon Assembly - steel



**QUICK RESPONSE  
 CONCEALED  
 EXTENDED COVERAGE  
 HORIZONTAL SIDEWALL**

**• SPRINKLER TEMPERATURE RATING/CLASSIFICATION and COLOR CODING**

CLASSIFICATION	AVAILABLE SPRINKLER TEMPERATURES		BULB COLOR	N.F.P.A. MAXIMUM CEILING TEMPERATURE	
ORDINARY	135°F	57°C	ORANGE	100°F	38°C

**QUICK RESPONSE**  
**CONCEALED EXTENDED COVERAGE**  
**LIGHT HAZARD AUTOMATIC SPRINKLERS**  
**MODEL GL8114**  
**HORIZONTAL SIDEWALL**

**SPECIFICATIONS**

NOMINAL "K" FACTOR	THREAD SIZE	FINISHES
8.1 (116 metric)	3/4" NPT	Bright Chrome White Painted *Satin Chrome *Bright Brass *Other Painted Surfaces

NOTE: METRIC CONVERSIONS ARE APPROXIMATE.

\*FINISHES AVAILABLE ON SPECIAL ORDER. FOR PAINTED PLATES OTHER THAN WHITE, CONTACT GLOBE FOR ORDERING SPECIFICATIONS.

**APPROVALS**

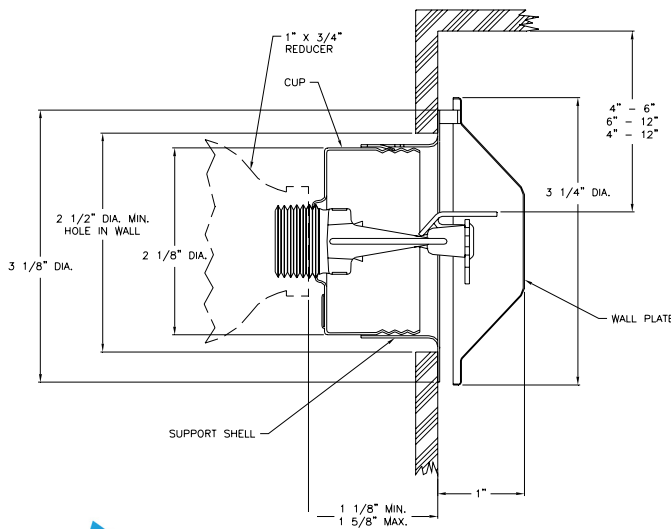
STYLE	SIN MODEL	K FACTOR	135°F (57°C) WITH PLATE 135°F (57°C)	cULus	NYC - DOB MEA 101-92-E
CONCEALED SIDEWALL	GL 8114	8.1	X	X	X

**U.L. LISTING DESIGN - USE REQUIREMENTS FOR LIGHT HAZARDS**

SIN MODEL	K-FACTOR	TEMPERATURE	CEILING TO DEFLECTOR DISTANCE	WIDTH OF COVERAGE	LENGTH OF COVERAGE	MIN. PRESSURE P.S.I.	FLOW IN G.P.M.
*GL8114	8.1	135°F / 57°C	4" TO 6"	16'	22'	19.8	36
					24'	23.2	39
			6" TO 12"		22'	24.4	40
					4" TO 12"	20'	19.8
			22'			24.4	40

\* 6" MINIMUM SPACING

**CROSS SECTION**



**ORDERING INFORMATION**

**SPECIFY**

- Quantity • Model Number • Style
- Orifice • Temperature • Finishes desired
- Quantity - 8.1K Wrenches - P/N 329679
- Quantity - Protective Caps - P/N 327119

**GLOBE® PRODUCT WARRANTY**

Globe agrees to repair or replace any of its own manufactured products found to be defective in material or workmanship for a period of one year from date of shipment.

For specific details of our warranty please refer to Price List Terms and Conditions of Sale (Our Price List).

GLOBE FIRE SPRINKLER CORPORATION  
 4077 AIRPARK DRIVE, STANDISH, MICHIGAN 48658  
 1-800-248-0278 FAX 989-846-9231  
 989-846-4583 www.globesprinkler.com

