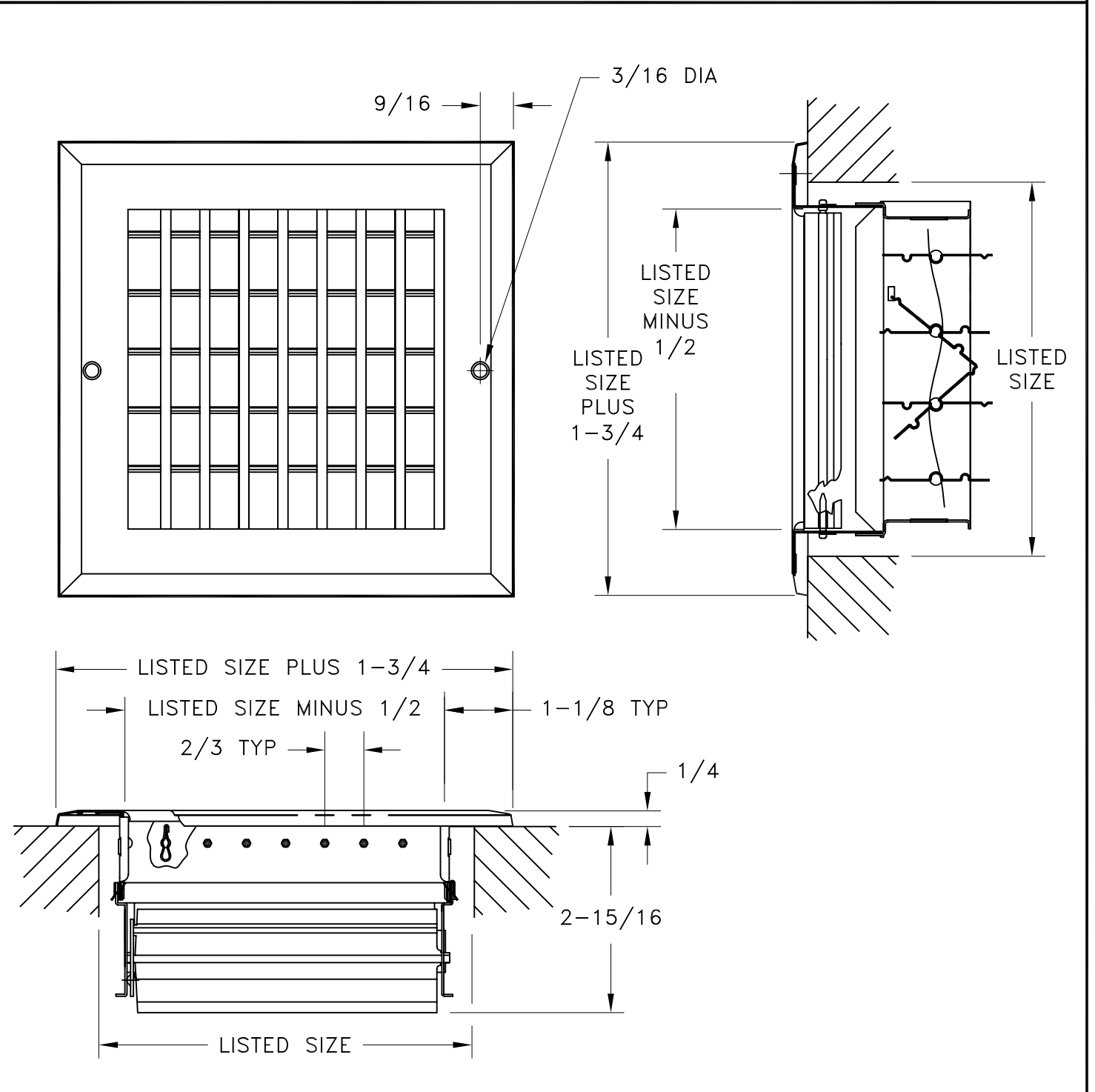


- ALUMINUM FACE, PAINTED STEEL OPPOSED BLADE DAMPER
- ADJUSTABLE VERTICAL FRONT FINS
- MINIMUM SIZE = 6 X 6
- MAXIMUM SIZE = 14 X 14
- FINISH: WHITE (W) ENAMEL



JOB NAME: _____	SUBMITTED BY: _____	DATE: 2/4/03	SD-2510
LOCATION: _____		<b>A618-OB</b> Aluminum, Adjustable Straight Fin Register With Painted Steel Opposed Blade Damper Single Deflection	
ARCHITECT: _____			
ENGINEER: _____			
CONTRACTOR: _____			