

# 'Apollo' Valves

## SUBMITTAL SHEET

### 77C Series

2 Piece Full Port **Bronze Ball Valve**



<b>Job Name:</b>	
<b>Job Location:</b>	
<b>Engineer:</b>	
<b>Contractor:</b>	
<b>Tag:</b>	
<b>PO Number:</b>	
<b>Representative:</b>	
<b>Wholesale Distributor:</b>	

#### DESCRIPTION

The Apollo® 77C "Contractor Series" ball valve features a dezincification resistant bronze body, premium "multi-fill" MPTFE seats and stem packing, and a "Solid Ball" design that delivers true full-port flow performance. Cast and machined in Apollo's South Carolina manufacturing plants utilizing proven ASTM materials.



#### FEATURES

- Multi-Fill PTFE Seats & Seals
- Blow-out Proof Stem Design
- Adjustable Stem Packing
- Full-Port "Solid Ball" Design
- 100% Factory Tested
- **Made in USA**

#### PERFORMANCE RATING

- Maximum Pressure: 600 psi CWP, 150 psi SWP
- Maximum Temperature: 500°F
- Vacuum service to 29 in. Hg

#### APPROVALS

- MSS SP-110 Compliant
- CRN: OC10908.5C

#### OPTIONS (For 1/4" to 2")

- (-01) Standard Lever and Trim
- (-04) 2 1/4" Stem Extension
- (-07) Tee Handle
- (-10) S.S. Handle and Nut
- (-11) Therma-Seal™ Insulating Tee Handle
- (-27) Locking Handle
- (-92) Balancing Stop
- (-94) 2 1/4" Stem Extension and Balancing Stop
- (77C-140 & 77C-240 Series) S.S. Vented Ball and Stem
- (77CLF) Lead Free 0.25% max, ANSI 3rd Party Certified

#### STANDARD MATERIALS LIST

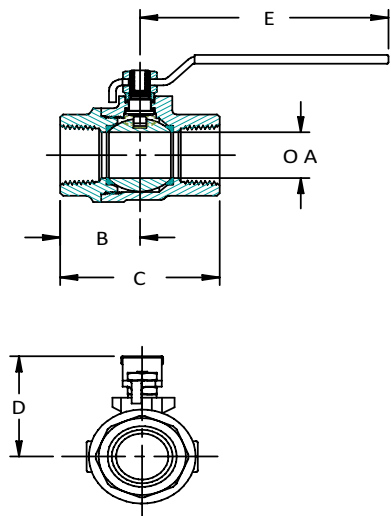
Part Name	Material
Gland	ASTM B16 Brass
Nut	Zinc Plated Steel
Packing	MPTFE
Seat	MPTFE
Stem	ASTM B16 Brass
Ball	ASTM B16 Brass Chrome Plated or B283, C37700 Chrome Plated
Retainer	B584 Bronze or B16 Brass or B283, C37700 Chrome Plated
Body	B584 Bronze
Handle	Zinc Plated Steel/Vinyl

#### DIMENSIONS

Part Number	Size (in.)	Dimensions (in.)					C <sub>v</sub>	Wt.* (lbs.)
		A	B	C	D	E		
<b>NPT</b>								
77C-101-01	1/4"	0.37	0.95	1.97	1.76	3.74	5	0.6
77C-102-01	3/8"	0.37	1.07	2.09	1.76	3.74	7	0.5
77C-103-01	1/2"	0.50	1.15	2.25	1.79	3.74	16	0.6
77C-104-01	3/4"	0.75	1.32	2.65	2.00	4.88	36	1.0
77C-105-01	1"	1.00	1.53	3.07	2.19	4.88	68	1.8
77C-106-01	1-1/4"	1.25	2.04	4.08	3.13	7.06	125	4.4
77C-107-01	1-1/2"	1.50	2.12	4.23	3.29	7.06	177	4.6
77C-108-01	2"	2.00	2.43	4.85	3.83	7.06	389	8.1
77C-109-01	2-1/2"	2.50	3.12	6.37	4.51	8.06	503	16.2
<b>SOLDER</b>								
77C-202-01	3/8"	0.37	1.30	2.21	1.76	3.74	7	0.6
77C-203-01	1/2"	0.50	1.41	2.58	1.79	3.74	16	0.6
77C-204-01	3/4"	0.75	1.64	3.03	2.00	4.88	36	1.0
77C-205-01	1"	1.00	1.92	3.61	2.19	4.88	68	1.6
77C-206-01	1-1/4"	1.25	2.36	4.44	3.13	7.06	125	3.9
77C-207-01	1-1/2"	1.50	2.63	4.89	3.29	7.06	177	4.3
77C-208-01	2"	2.00	3.17	6.06	3.83	7.06	389	7.6
77C-209-01	2-1/2"	2.50	3.77	7.14	4.51	8.06	503	15.9

\*Weights based on Standard Configuration

This specification is provided for reference only. Conbraco Industries Inc. reserves the right to change any portion of this specification without notice and without incurring obligation to make such changes to Conbraco products previously or subsequently sold. Please visit our website @ [www.apollovalves.com](http://www.apollovalves.com) for the most current information.



Apollo Valves, Manufactured by **Conbraco Industries, Inc.**  
701 Matthews Mint-Hill Road, Matthews, NC 28105 USA  
[www.apollovalves.com](http://www.apollovalves.com) | (704) 841-6000

