

## 6EC SERIES - 1/3 HP

### APPLICATIONS

Basement sumps, dewatering, water transfer, light effluent

### FEATURES

- Heavy-duty cast iron construction
- Permanent split capacitor (PSC) motor with thermal overload protection
- Designed for continuous duty
- Energy-saving low amp draw
- 1-1/2" FNPT discharge (38 mm)
- Handles up to 1/2" (12.7 mm) solids
- Multiple switch options for automatic operation
- 140 °F (60 °C) liquid temperature rating
- cCSAus listed



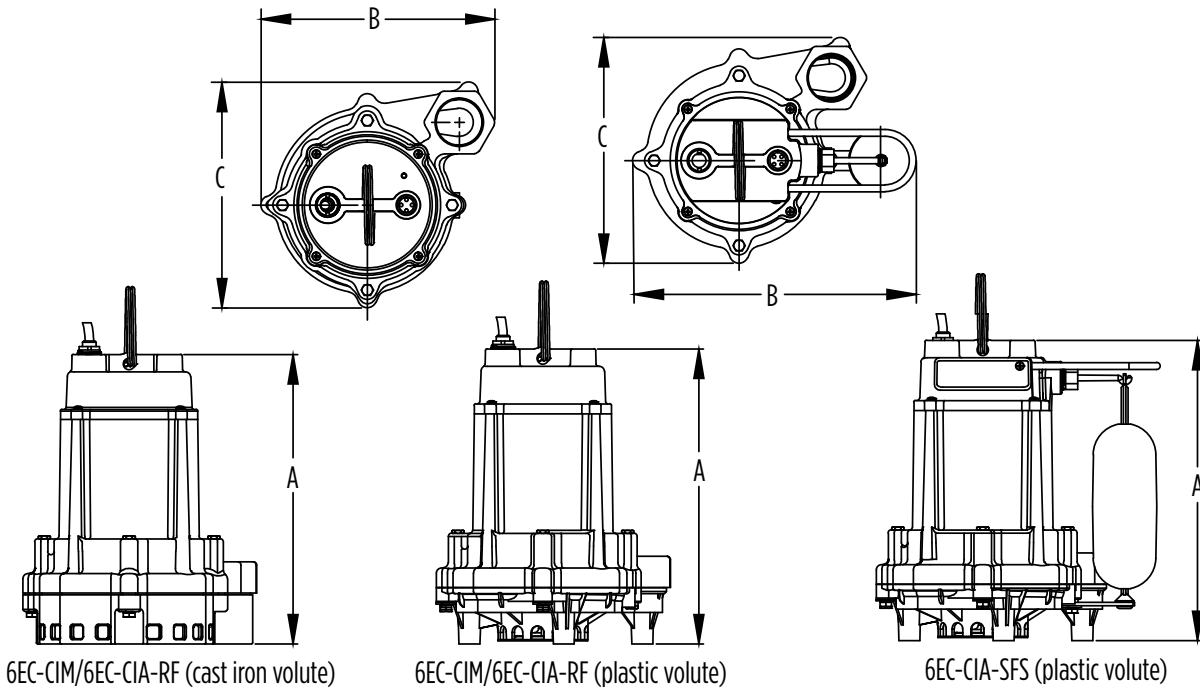
### SERIES SPECIFICATIONS

Volts	Hz	Amps		Watts	Gallons per minute (Liters per minute) @ Height				Shut-Off	PSI
		FLA	Start		5'	10'	15'	20'		
115	60	5	14.5	600	53 (201)	50 (189)	42 (159)	34 (129)	28' (8.53 m)	12.1

Item	Model	HP	Volts	Base Material	Switch Type / Operations	On Level	Off Level	Cord	Weight lbs (Kg)
506803	6EC-CIA-RF	1/3	115	Polypropylene	Piggyback Mechanical Float	13" - 15" (33.2 cm - 38.1 cm)	6" - 8" (15.2 cm - 20.3 cm)	10' (3 m)	27.5 lbs (12.5 Kg)
506858	6EC-CIA-RF	1/3	115	Cast Iron	Piggyback Mechanical Float	13" - 15" (33.2 cm - 38.1 cm)	6" - 8" (15.2 cm - 20.3 cm)	20' (6.1 m)	35.5 lbs (16.1 Kg)
506808	6EC-CIA-RF	1/3	115	Polypropylene	Piggyback Mechanical Float	13" - 15" (33.2 cm - 38.1 cm)	6" - 8" (15.2 cm - 20.3 cm)	30' (9.1 m)	27.5 lbs (12.5 Kg)
506807	6EC-CIA-SFS	1/3	115	Polypropylene	Integral Snap-Action Float	8" - 11" (20.3 cm - 27.9 cm)	2" - 5" (5.1 cm - 12.7 cm)	10' (3 m)	28 lbs (12.7 Kg)
506804	6EC-CIA-SFS	1/3	115	Polypropylene	Integral Snap-Action Float	8" - 11" (20.3 cm - 27.9 cm)	2" - 5" (5.1 cm - 12.7 cm)	20' (6.1 m)	29 lbs (13.5 Kg)
506801	6EC-CIM	1/3	115	Polypropylene	Manual	-	-	10' (3 m)	26.5 lbs (12 Kg)
506802	6EC-CIM	1/3	115	Polypropylene	Manual	-	-	20' (6.1 m)	27.5 lbs (12.5 Kg)
506809	6EC-CIA-DS	1/3	115	Polypropylene	Piggyback Vertical Diaphragm	8" - 10.9" (20.3 cm - 27.7 cm)	2.8" - 5.9" (7.1 cm - 15 cm)	10' (3m)	27 lbs (12.2 kg)
506810	6EC-CIA-DS	1/3	115	Polypropylene	Piggyback Vertical Diaphragm	8" - 10.9" (20.3 cm - 27.7 cm)	2.8" - 5.9" (7.1 cm - 15 cm)	18' (5.5m)	28 lbs (12.7 kg)
506811	6EC-CBA-SFS	1/3	115	Polypropylene	Integral Snap-Action Float	7.6" - 9.6" (19.3 cm - 24.4 cm)	3.0" - 5.0" (7.7 cm - 12.7 cm)	20' (6.1m)	27.8 lbs (12.6 kg)
506812	6EC-CBM	1/3	115	Polypropylene	Manual	-	-	20' (3m)	26.9 lbs (12.2 kg)

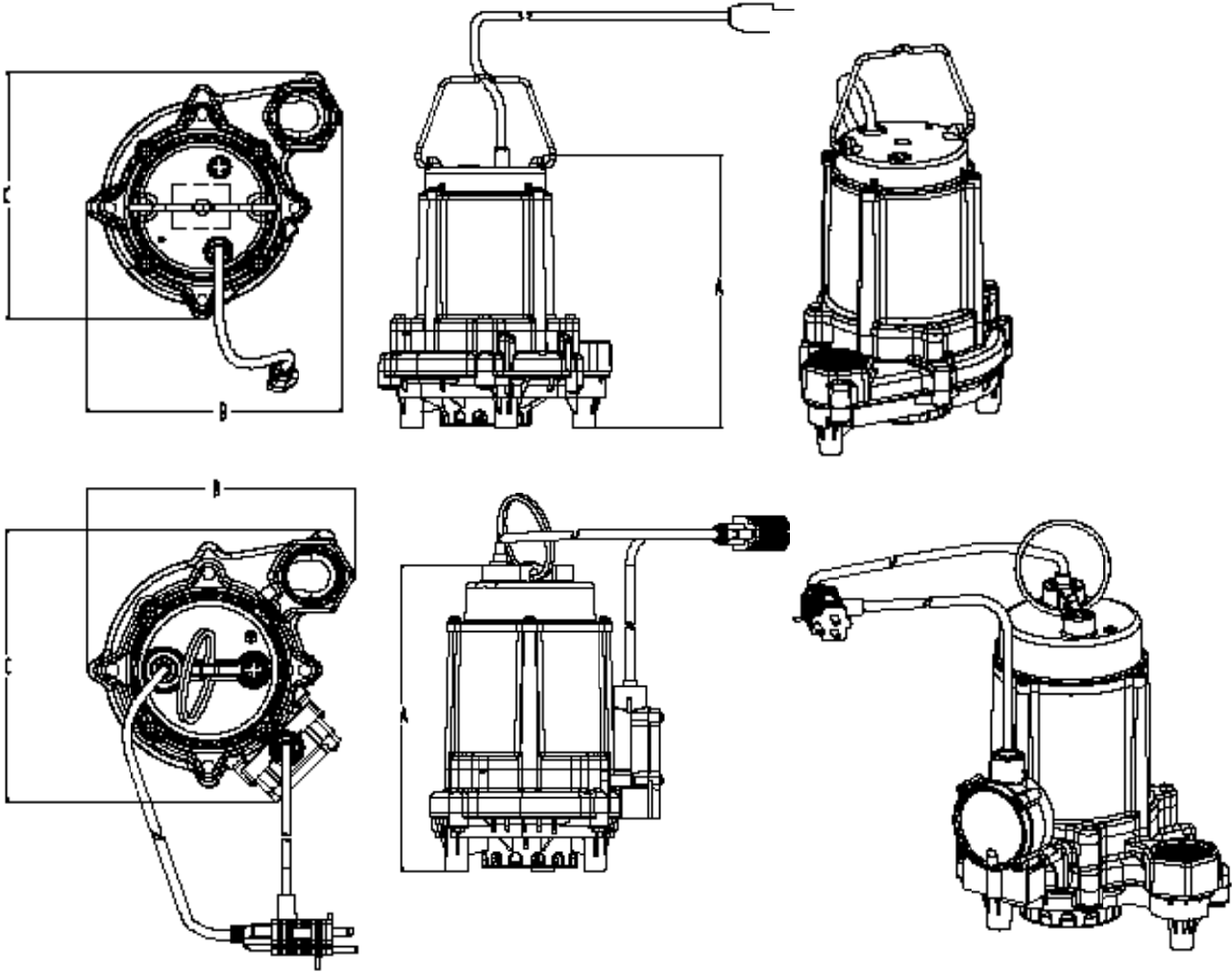
## 6EC SERIES - 1/3 HP

### ENGINEERING DATA



## 6EC SERIES - 1/3 HP

### ENGINEERING DATA

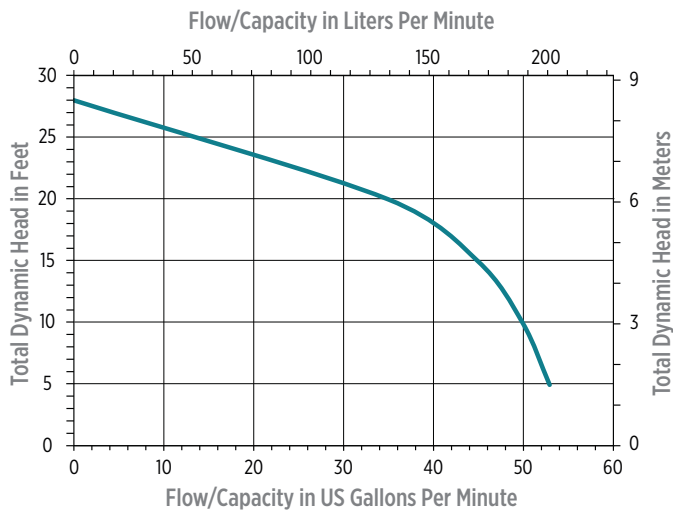


Model	Base	A	B	C
6EC-CIA-SFS	Polypropylene	11.28" (28.65 cm)	10.66" (27.08 cm)	8.48" (21.55 cm)
6EC-CIA-RF	Polypropylene	11.08" (28.15 cm)	8.79" (22.34 cm)	8.48" (21.55 cm)
	Cast Iron	10.9" (27.62 cm)	8.79" (22.34 cm)	8.48" (21.55 cm)
6EC-CIM	Polypropylene	11.08" (28.15 cm)	8.79" (22.34 cm)	8.48" (21.55 cm)
6EC-CIA-DS	Polypropylene	11.1" (28.2 cm)	9.0" (22.9 cm)	8.8" (22.4 cm)
6EC-CBA-SFS	Polypropylene	11.0" (28 cm)	8.5" (21.5 cm)	10.6" (27 cm)
6EC-CBM	Polypropylene	10.2" (25.9 cm)	8.7" (22.1 cm)	8.5" (21.6 cm)

# EFFLUENT PUMPS

## 6EC SERIES - 1/3 HP

### PERFORMANCE DATA



### CONSTRUCTION

<b>Cover</b>	Epoxy-coated cast iron or epoxy impregnated cast bronze
<b>Motor Housing</b>	Epoxy-coated cast iron or epoxy impregnated cast bronze
<b>Impeller Material</b>	Nylon
<b>Volute</b>	Epoxy-coated cast iron
<b>Mechanical Shaft Seal</b>	Nitrile with carbon and ceramic faces
<b>Fasteners</b>	Stainless steel
<b>Shaft</b>	Cold-rolled steel
<b>Bearings</b>	Upper and lower ball bearings
<b>Power Cord</b>	SJTW

