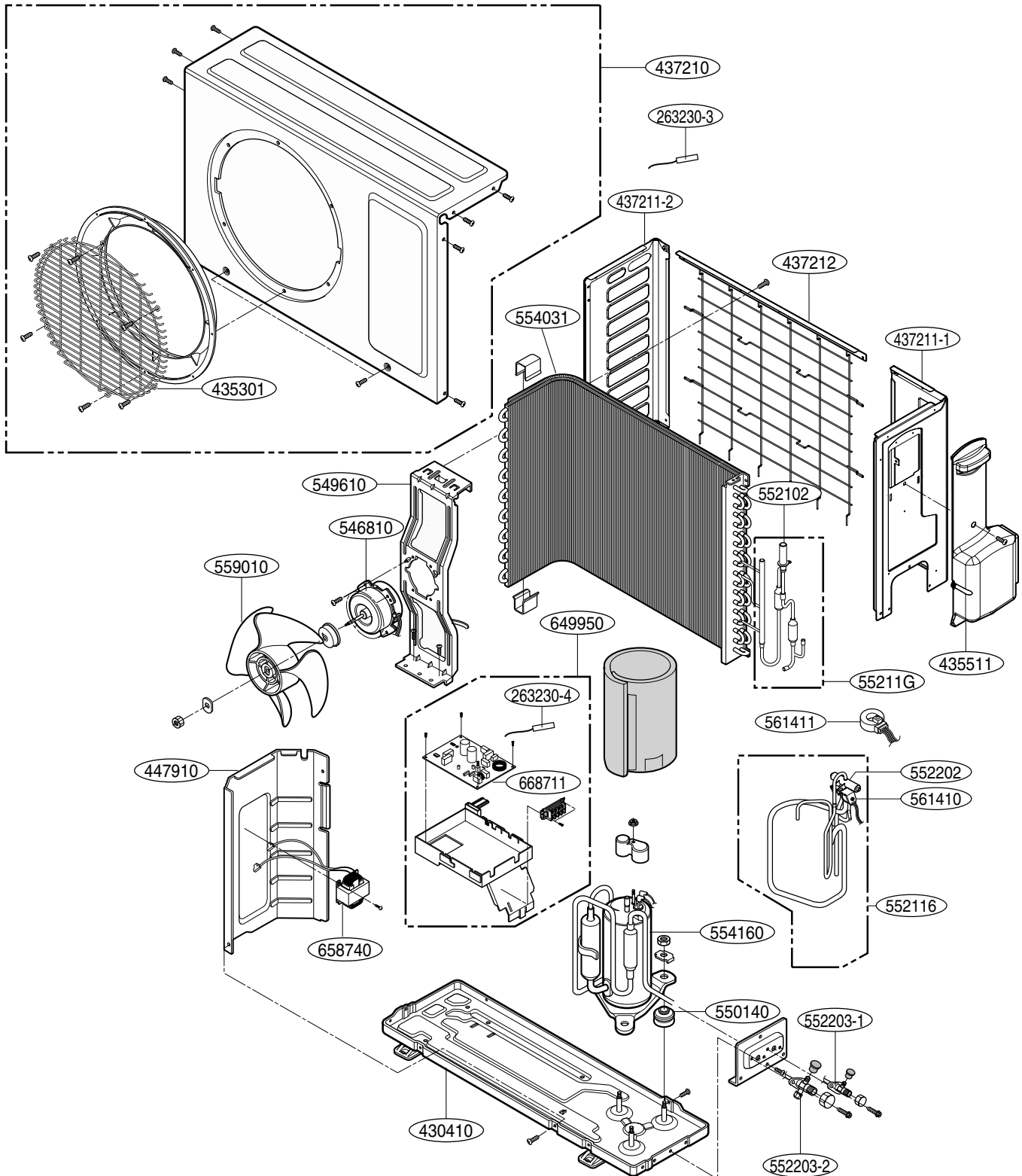


Outdoor Unit

Model:AS-W126ERH1/BH1/VH1, AS-W096ERH1/BH1/VH1 (UL Chassis)



Parts List (Outdoor)

LOCATION No.	DESCRIPTION	PART No.		REMARKS
		AS-W126EUH1	AS-W096EUH1	
263230-3	THERMISTOR ASSEMBLY	6323A20001B	6323A20001B	
263230-4	THERMISTOR ASSEMBLY	6323A20003G	6323A20003G	
430410	BASE ASSEMBLY,OUTDOOR	3041A20066A	3041A20066A	
435301	GRILLE,DISCHARGE	3530A20006G	3530A20006G	
435511	COVER	MCK31998302	MCK31998302	
437210	PANEL ASSEMBLY,FRONT(OUTDOOR)	3721A20027S	3721A20027S	
437211-1	PANEL ASSEMBLY, SIDE	AGL31581801	AGL31581801	
437211-2	PANEL ASSEMBLY, SIDE	AGL31587101	AGL31587101	
437212	PANEL ASSEMBLY,REAR(OUTDOOR)	MDX31998902	MDX31998902	
447910	BARRIER,OUTDOOR	4791A30002R	4791A30002R	
546810	MOTOR,UNCLASSIFIED	4681A20122A	4681A20122A	
549610	BRACKET ASSEMBLY,MOTOR(OUTDOOR)	4961A10015B	4961A10015B	
550140	DAMPER,COMPRESSOR	4H00982E	4H00982E	
55211G	TUBE ASSEMBLY,EXPANSION	5211A22520A	5211A22520A	
552116	TUBE ASSEMBLY,REVERSE	5211A24134A	5211A24134A	
552200	VALVE,EXPANSION BODY	5220A90001F	5220A90001F	
552202	VALVE,REVERSE	5220AR3228D	5220AR3228D	
552203-1	VALVE,SERVICE	5220A20005B	5220A20005B	
552203-2	VALVE,SERVICE	5220A20001Q	5220A20001Q	
554031	CONDENSER ASSEMBLY,BENDING	5403A20221B	5403A20221B	
554160	COMPRESSOR	5416A90029C	5416A90029C	
559010	FAN ASSEMBLY,PROPELLER	5901A10033A	5901A10033A	
561410	SOLENOID	6141A20010S	6141A20010S	
561411	SOLENOID	6141A30003B	6141A30003B	
649950	CASE ASSEMBLY,CONTROL(OUTDOOR)	4995A20520S	4995A20520R	
658740	TRANSFORMER,LINEAR	5874A90003J	5874A90003J	
668711	PCB ASSEMBLY,MAIN	6871A10135S	6871A10135R	
435511	COVER ASSEMBLY,CONTROL(OUTDOOR)	3551A30115G	3551A30115G	

NOTE) *Please ensure GCSC since these parts may be changed depending upon the buyer's request.
(GCSC WEBSITE <http://biz.LGservice.com>)