

Job Name : _____
 Purchaser : _____
 Engineer : _____
 Submitted To : _____
 Submitted By : _____
 Unit Designation : Schedule No.: _____

Location : _____
 P.O. No. : _____
 Architect : _____
 Date : _____
 For : Reference Approval Construction
 Model No.: _____

Submittal Data : LMU186HV

Flex Multi-Split Inverter Heat Pump Outdoor Unit



Standard Features :

- Five Year Compressor Warranty
- Two Year Functional Parts Warranty
- Defrost/Deicing
- Restart delay (3-minutes)
- Self diagnosis
- Soft start
- Auto Operation (Artificial intelligence)
- Auto restart operation
- Low ambient operation
- Gold Fin™ Anti-Corrosion Treatment for Condenser



Specification :

Capacity * (BTUs)	18,000 Class
Power Input (Min.~Rated~Max.)	
Cooling (kW)	0.52~1.25~2.05
Heating (kW)	0.77~1.63~2.18
Running Current (Min.~Rated~Max.)	
Cooling (A)	2.3~5.8~9.5
Heating (A)	3.4~7.6~10.1
Power Supply (V, Hz, Ph)	208/230, 60, 1
Power Supply Cable (No. x AWG)	3 x 14
Transmission Cable (No. x AWG)	4 x 18
(Outdoor to Indoor Unit)	
Dimension (WxHxD, inches)	34 1/4 x 25 25/32 x 12 9/16
Net Weight (lbs)	115
Max. # of Connectable Indoor Units	2
Refrigerant	
Charge (at 24.6ft. oz)	58.2
Type	R 410a
Control	EEV
Sound Level (H/L, dB(A)+3)	51

Specification :

Piping Connections	
Liquid (inches)	1/4 x 2EA
Gas (inches)	3/8 x 2EA
Piping length spec.	
Max. total piping (ft.)	164.0
Max. OD~ID piping (ft.)	82.0
Piping length (no add'l refrigerant, ft.)	73.8
Max. Elevation Difference	
Outdoor Unit ~ Indoor Unit (ft.)	49.2
Indoor Unit ~ Indoor Unit (ft.)	24.6
Operation Range (Outdoor)	
Cooling (°F)	14~114.8
Heating (°F)	5~75.2

- Capacities are based on the following conditions :
 Cooling : - Indoor Temperature 80°F DB / 67°F WB
 - Outdoor Temperature 95°F DB / 75°F WB
 Heating : - Indoor Temperature 70°F DB / 60°F WB
 - Outdoor Temperature 47°F DB / 43°F WB
 Piping Length : - Interconnecting Piping Length 24.6ft.
 - Level Difference of Zero
- Wiring cable size must comply with the applicable local and national code.
- The specification may be subject to change without prior notice for purpose of improvement.
- For more capacity(*) information, refer to the combination tables.
- The data mentioned in the above table are only for non-ducted type of indoor unit.

Combination Performance Table :

System	Combined With	Normal	EER	SEER	Normal	COP	Low	COP	HSPF	
		Cooling			Heating		Heating			
		Capacity			Capacity		Capacity			
		Btu/h	95°F		Btu/h	47°F	Btu/h	17°F		
LMU186HV	Non-Ducted Indoor Unit	15,600	12.50	16.0	17,000	3.10	12,500	2.4	8.50	
	Ducted Indoor Unit	17,000	11.70	15.0	18,000	3.20	13,100	2.5	8.20	
	Mixed Ducted & Non-Ducted	16,300	21.10	15.5	17,500	3.20	12,800	2.5	8.35	

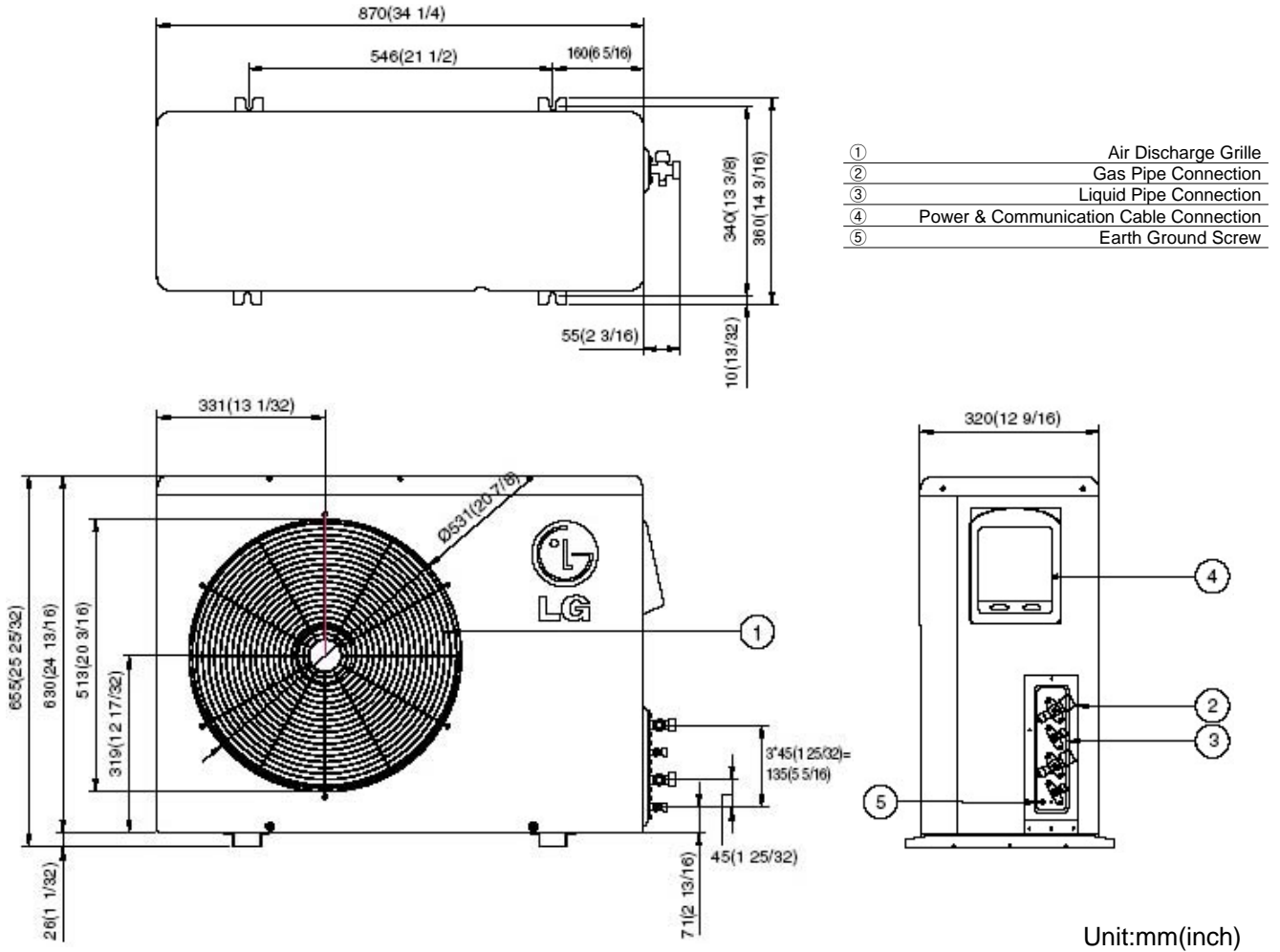
Note :

Submittal Data : LMU186HV

Flex Multi-Split Inverter
Heat Pump Outdoor Unit



Dimension :



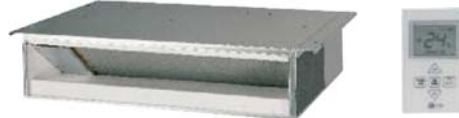
Compatible Indoor Units :

Standard Wall Mounted Indoor Unit :
LMN095HV, LMN125HV



Wireless Remote Controller
included in indoor unit package

Ceiling Concealed Indoor Unit :
LMDN095HV, LMDN125HV



Wired Wall Thermostat
included in indoor unit package

Art Cool Wall Mounted Indoor Unit :
LMAN095HV, LMAN125HV



Wireless Remote Controller
included in indoor unit package

Ceiling Cassette Indoor Unit :
LMCN125HV



Wireless Remote Controller
included in indoor unit package



Combination Table :

Non Ducted Type Indoor Unit Cooling	Combination of Indoor Unit (kBTU/h Class)				Room Capacity				Total Capacity			Input(W)			Current(A)			EER	SEER			
	UNIT-A	UNIT-B	UNIT-C	UNIT-D	UNIT-A	UNIT-B	UNIT-C	UNIT-D	Min	Middle	Max	Min	Middle	Max	Min	Middle	Max					
	(BTU/h)	(BTU/h)	(BTU/h)	(BTU/h)	(BTU/h)	(BTU/h)	(BTU/h)	(BTU/h)	BTU/h	kW	BTU/h	kW	BTU/h	kW	BTU/h	kW	BTU/h	kW	BTU/h	kW		
INDOOR UNIT	9	9	-	-	18	7,800	7,800	-	9,360	2.8	15,600	4.6	19,000	5.6	750	1,250	1,720	3.5	5.8	8.0	12.5	16.0
2 INDOOR UNITS	9	12	-	-	21	6,686	8,914	-	9,360	2.8	15,600	4.6	19,000	5.6	750	1,250	1,950	3.5	5.8	8.6	12.5	15.0
	12	12	-	-	24	8,000	8,000	-	9,600	2.8	16,000	4.7	19,800	5.8	760	1,300	2,050	3.6	6.0	9.5	12.3	15.0

Heating	Combination of Indoor Unit (kBTU/h Class)				Room Capacity				Total Capacity			Input(W)			Current(A)			COP	HSPF			
	UNIT-A	UNIT-B	UNIT-C	UNIT-D	UNIT-A	UNIT-B	UNIT-C	UNIT-D	Min	Middle	Max	Min	Middle	Max	Min	Middle	Max					
	(BTU/h)	(BTU/h)	(BTU/h)	(BTU/h)	(BTU/h)	(BTU/h)	(BTU/h)	(BTU/h)	BTU/h	kW	BTU/h	kW	BTU/h	kW	BTU/h	kW	BTU/h	kW	BTU/h	kW		
INDOOR UNIT	9	9	-	-	18	8,500	8,500	-	10,200	3.0	17,000	5.0	21,000	6.2	980	1,620	2,000	4.5	7.6	9.3	3.1	8.5
2 INDOOR UNITS	9	12	-	-	21	7,286	9,714	-	10,200	3.0	17,000	5.0	21,300	6.3	1,020	1,680	2,060	4.7	7.6	9.6	3.1	8.5
	12	12	-	-	24	9,000	9,000	-	10,800	3.2	18,000	5.3	21,300	6.3	1,100	1,700	2,180	5.1	7.9	10.1	3.1	8.5

Ducted Type Indoor Unit Cooling	Combination of Indoor Unit (kBTU/h Class)				Room Capacity				Total Capacity			Input(W)			Current(A)			EER	SEER			
	UNIT-A	UNIT-B	UNIT-C	UNIT-D	UNIT-A	UNIT-B	UNIT-C	UNIT-D	Min	Middle	Max	Min	Middle	Max	Min	Middle	Max					
	(BTU/h)	(BTU/h)	(BTU/h)	(BTU/h)	(BTU/h)	(BTU/h)	(BTU/h)	(BTU/h)	BTU/h	kW	BTU/h	kW	BTU/h	kW	BTU/h	kW	BTU/h	kW	BTU/h	kW		
INDOOR UNIT	9	9	-	-	18	8,500	8,500	-	10,200	3.0	17,000	5.0	19,000	5.6	870	1,450	1,940	4.0	6.7	9.0	11.7	15.0
2 INDOOR UNITS	9	12	-	-	21	7,286	9,714	-	10,200	3.0	17,000	5.0	19,000	5.6	870	1,450	1,940	4.0	6.7	9.0	11.7	14.6
	12	12	-	-	24	8,500	8,500	-	10,200	3.0	17,000	5.0	19,800	5.8	900	1,500	2,150	4.2	7.0	10.0	11.3	14.6

Heating	Combination of Indoor Unit (kBTU/h Class)				Room Capacity				Total Capacity			Input(W)			Current(A)			COP	HSPF			
	UNIT-A	UNIT-B	UNIT-C	UNIT-D	UNIT-A	UNIT-B	UNIT-C	UNIT-D	Min	Middle	Max	Min	Middle	Max	Min	Middle	Max					
	(BTU/h)	(BTU/h)	(BTU/h)	(BTU/h)	(BTU/h)	(BTU/h)	(BTU/h)	(BTU/h)	BTU/h	kW	BTU/h	kW	BTU/h	kW	BTU/h	kW	BTU/h	kW	BTU/h	kW		
INDOOR UNIT	9	9	-	-	18	9,000	9,000	-	10,800	3.2	18,000	5.3	21,000	6.2	900	1,550	1,900	4.3	7.2	8.8	3.4	8.2
2 INDOOR UNITS	9	12	-	-	21	7,714	10,286	-	10,800	3.2	18,000	5.3	23,000	6.8	930	1,550	1,900	4.3	7.2	8.8	3.4	8.2
	12	12	-	-	24	9,500	9,500	-	11,400	3.4	19,000	5.6	23,000	6.8	1,050	1,750	2,070	4.9	8.1	9.6	3.2	8.2