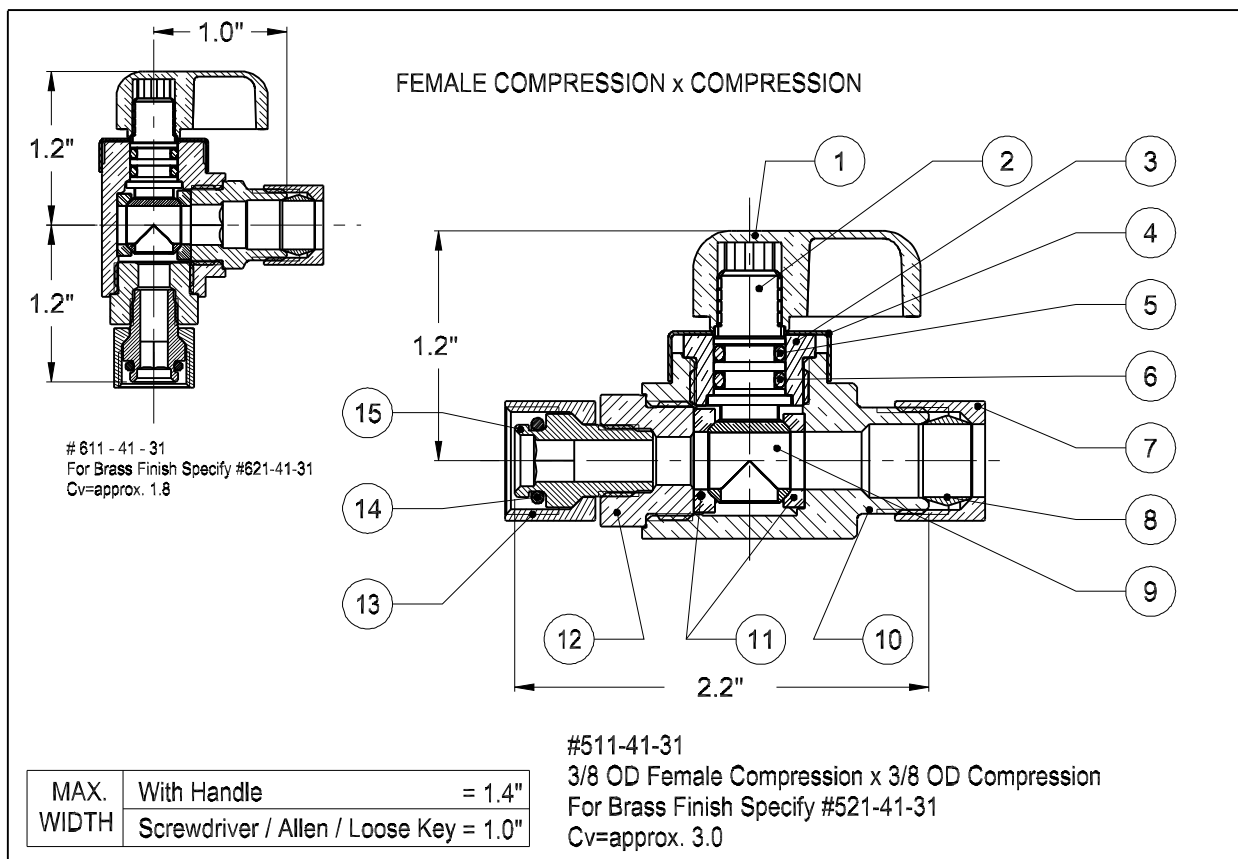


dahl-ECO mini-ball™ Valve

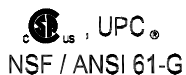
Plumbing



*Text Below Represents Plated Configuration

- | | |
|---|---|
| 1. Nickel Plated Zinc Handle | 9. C693 Plated Brass Ball |
| 2. C693 Nickel Plated Brass Spindle | 10. C693 Chrome Plated Brass Body with 3/8 OD Comp. End |
| 3. C693 Brass Spindle Bushing | 11. Teflon* Seals |
| 4. Nickel Plated Handle Stop Cap (Brass) | 12. C693 Nickel Plated Brass Adapter |
| 5. EPDM O-ring | 13. Chrome Plated Brass Nut |
| 6. Viton*O-ring | 14. EPDM O-ring |
| 7. Chrome Plated Brass 3/8 OD Compression Nut | 15. C693 Brass 3/8 OD Female Compression End |
| 8. Brass Tapered Sleeve | |

Working Pressure: 250 psi / 250°F
depending on pipe material.



Designed and Manufactured in
Canada

Wetted surface area contains <0.1wt% weighted average lead.

Also available with Screwdriver, Allen or Loose Key operation



dahl brothers canada limited

2600 S. SHERIDAN WAY, MISSISSAUGA, ON, CANADA L5J 2M4
905-822-2330 CAN 800-268-5355 U.S. 800-268-2363
FAX(905) 855-1450, USA AND CANADA 800-226-1801
www.sales@dahlvalve.com www.dahlvalve.com