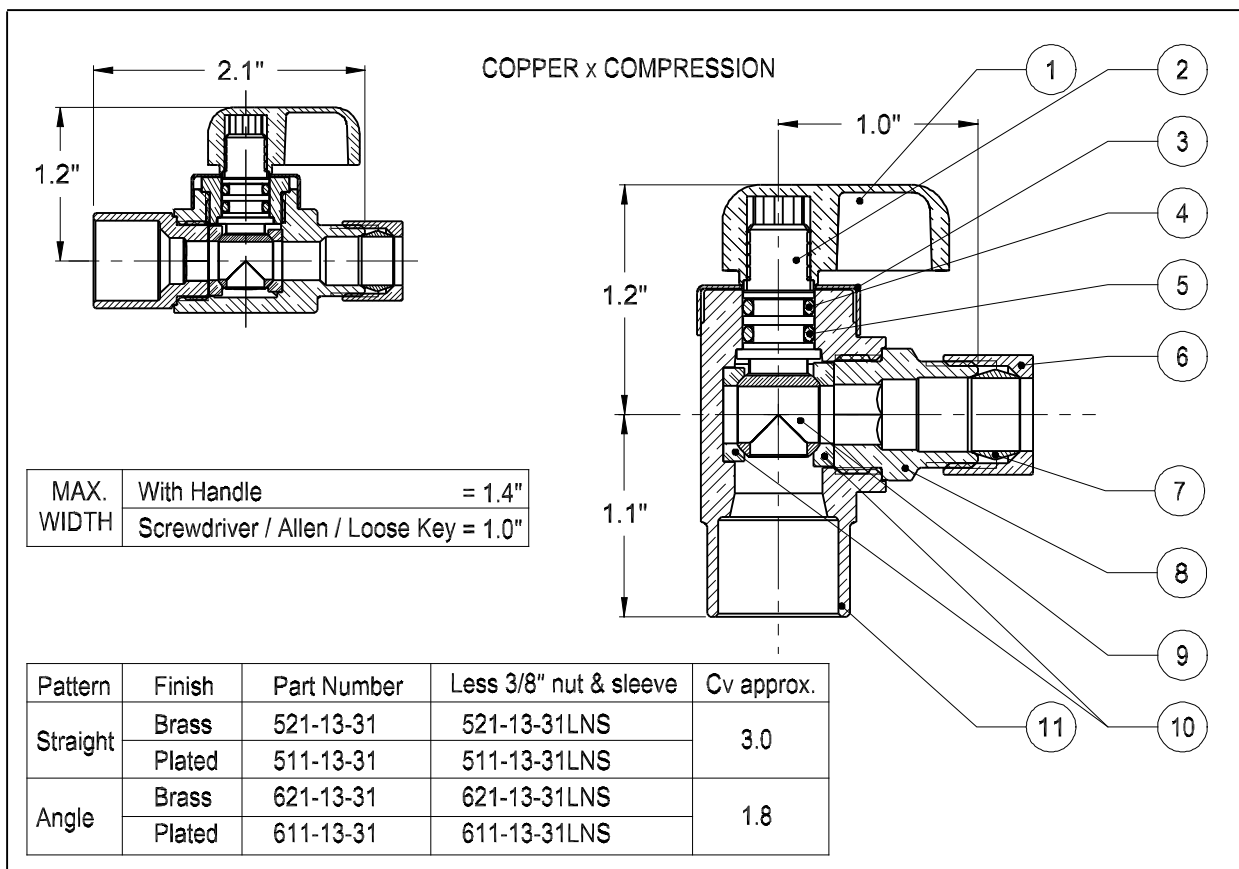


dahl-ECO mini-ball™ Valve

Plumbing



Text Below Represents Plated Finish

- | | |
|---|--|
| 1. Nickel Plated Zinc Handle | 7. Brass Tapered Sleeve |
| 2. C693 Nickel Plated Brass Spindle | 8. C693 Nickel Plated Brass 3/8 OD Compression End |
| 3. Nickel Plated Handle Stop Cap (Brass) | 9. C693 Plated Brass Ball |
| 4. EPDM O-ring | 10. Teflon* Seals |
| 5. Viton* O-ring | 11. C693 Chrome Plated Brass Body with 1/2 Female Solder End |
| 6. Chrome Plated Brass 3/8 OD Compression Nut | |

Working Pressure: 250 psi / 250°F
depending on pipe material.

 , UPC®
NSF / ANSI 61-G

Designed and Manufactured in
Canada

Wetted surface area contains <0.1wt% weighted average lead.

DO NOT DISMANTLE - SOLDER IN OPEN POSITION
Also available with Screwdriver, Allen, or Loose Key operation



dahl brothers canada limited

2600 S. SHERIDAN WAY, MISSISSAUGA, ON, CANADA L5J 2M4
905-822-2330 CAN 800-268-5355 U.S. 800-268-2363
FAX(905) 855-1450, USA AND CANADA 800-226-1801
www.sales@dahlvalve.com www.dahlvalve.com

* Registered Trademark of E.I. DuPont Nemours.

We reserve the right to alter prices and/or technical details without notice