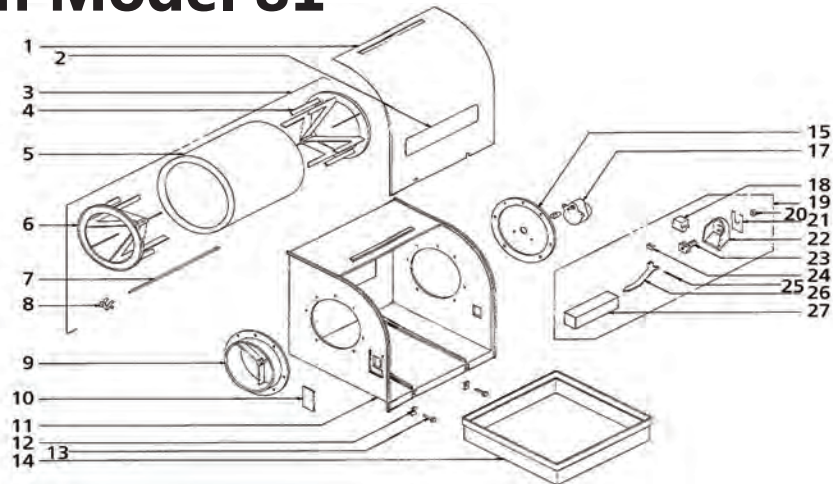


Legacy Drum Model 81



Item	Qty. Req'd	GFI Number	Part Description	List / Retail
				Price Each
1	1	7093	81 - 28-GF Cover Assembly (Incl. Window)	\$47.94
2	1	7094	81 - 7 Window	\$5.60
3	1	7104	81 - 22 Drum Assembly	\$37.80
4	1	7101	81 - 8 Drum End - Closed	\$7.35
5	1	7099	81 - 15 Replacement Evaporator Sleeve 7 1/2" wide, 6 1/2" I.D.	\$16.24
6	1	7102	81 - 9 Drum End - Open	\$7.35
7	1	7103	81 - 10 Drum Shaft	\$7.70
8	1	7157	P188 Retainer Clip	\$1.40
9	1	7091	81 - 3 By-Pass Collar	\$17.85
10	1	7126	81 - 14 Valve Hole Cover	\$3.50
11	1	7089	81 - 1 Humidifier Cabinet	\$157.50
12	2	7140	40 - 7 Speed Nut	\$0.69
13	2	7095	81 - 13 Thumb Screw	\$2.79
14	1	7092	81 - 4 Water Pan	\$16.10
15	1	7090	81 - 2 Motor Mounting Plate	\$19.43
17	1	7113	727 - 40 Motor Assembly	\$45.16
18	1	7096	81 - 21 Float Valve Assembly	\$26.84
19	1	6005	975 - 6 Valve Shield	\$1.04
20	1	6001	975 - 3 Orifice Nut	\$0.79
21	1	7076	747 - 11 Valve Washer	\$0.95
22	1	7123	727 - 8 Splash Guard	\$2.10
23	1	7122	727 - 24 Orifice Fitting	\$6.83
24	1	6004	975 - 1 Valve Seat	\$0.53
25	1	6026	P118 Cotter Pin	\$1.00
26	1	7097	81 - 11 Float Arm	\$4.73
27	1	7098	81 - 12 Float	\$9.45
Parts Not Shown				
	1	7109	727 - 46 6" By - Pass Tube Assembly	\$22.58
	1	7118	727 - 58 24V Transformer (12VA)	\$23.10
	1	8022	800 - UST Self - Tapping Saddle Valve Kit	\$11.55
	1	7078	747 - 38 Water Supply Tubing Kit	\$11.55
	1	7037	MHX3 Manual Control, Duct Mount Humidistat	\$42.00
	1	7053	WMH3 Wall Mount Housing	\$20.97
	1	8035	8035 Humidex Tablets	\$12.60

2% 10th Prox. Net 30 Days. F.O.B. Novi, Michigan \$5,000 Orders FFA

General Filters, Inc. 43800 Grand River Avenue Novi, Michigan 48375-1115 Toll Free (866) 476-5101 Fax (248) 349-2366 www.GeneralAire.com