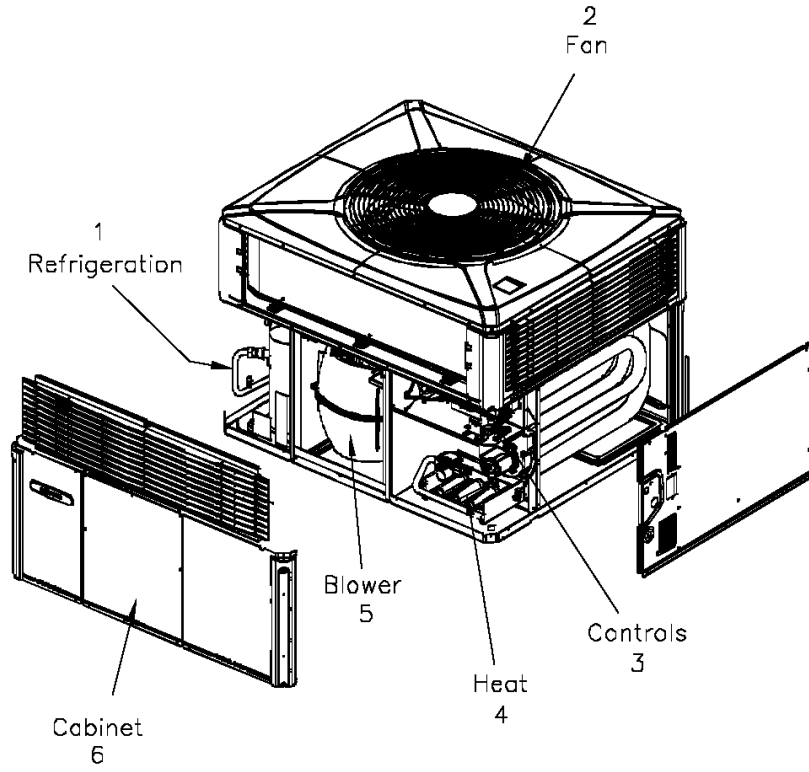


General Assembly

75008387

REV
A

Typical illustration. Unit may not appear exactly as shown.



Part No.	Reference No.	Quantity	Description
75008387_4YCZ6UP4_128562~P	*		4YCZ6UP4 PARTS LIST
75008694#4YCZ6UP4~S	*		BLOWER
75008397#4YCZ6UP4~S	*		CABINET
75008961#4YCZ6UP4~S	*		CONTROLS
75008352#4YCZ6UP4~S	*		FAN
75008402#4YCZ6UP4~S	*		HEAT
75008692#4YCZ6UP4~S	*		MODEL NOMENCLATURE
NGRAPHIC#4YCZ6UP4~S	*		OPTIONAL FIELD INSTALLED ACCESSORIES
75008392#4YCZ6UP4~S	*		REFRIGERATION

General Assembly

75008387

REV
A

Typical illustration. Unit may not appear exactly as shown.

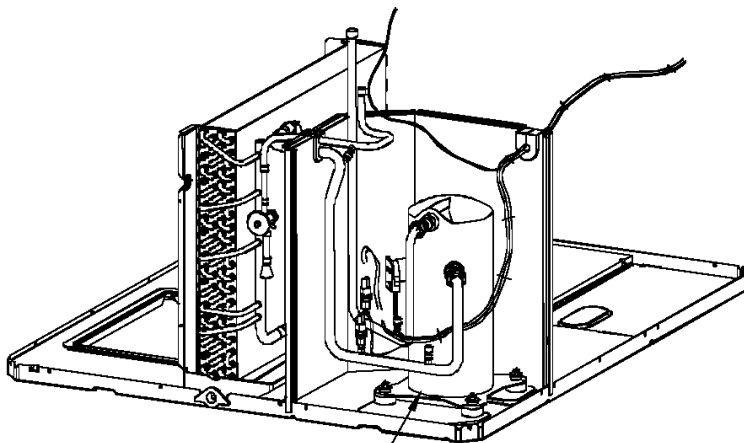
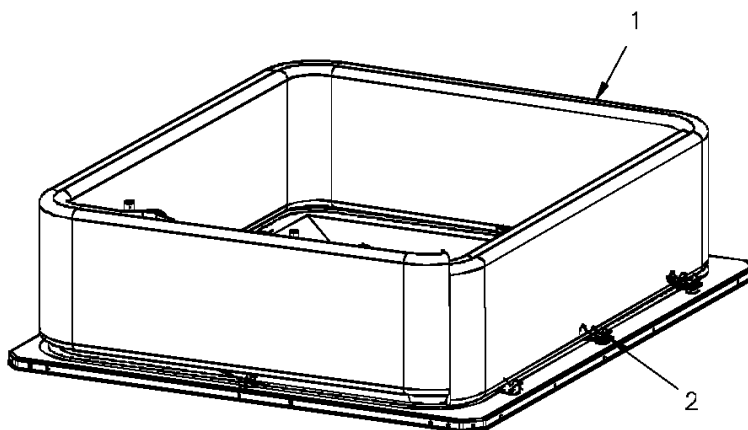


Refrigeration

75008392

REV
A

Typical illustration. Unit may not appear exactly as shown.



3
Enlarged View

Parts List Number :75008387#4YCZ6UP4

Model Number :4YCZ6048A4120BA

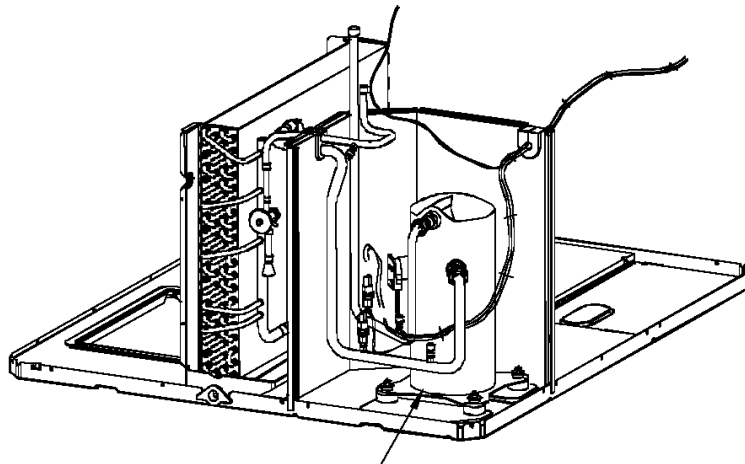
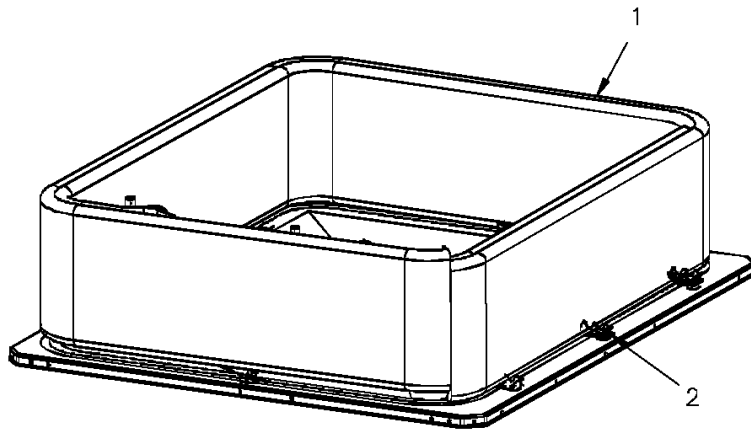
Part No.	Reference No.	Quantity	Description
75008410#4YCZ6UP4~S	*		ENLARGED VIEW
75008392_4YCZ6UP4_128565~P	*		REFRIGERATION PARTS LIST

Refrigeration

75008392

REV
A

Typical illustration. Unit may not appear exactly as shown.



3

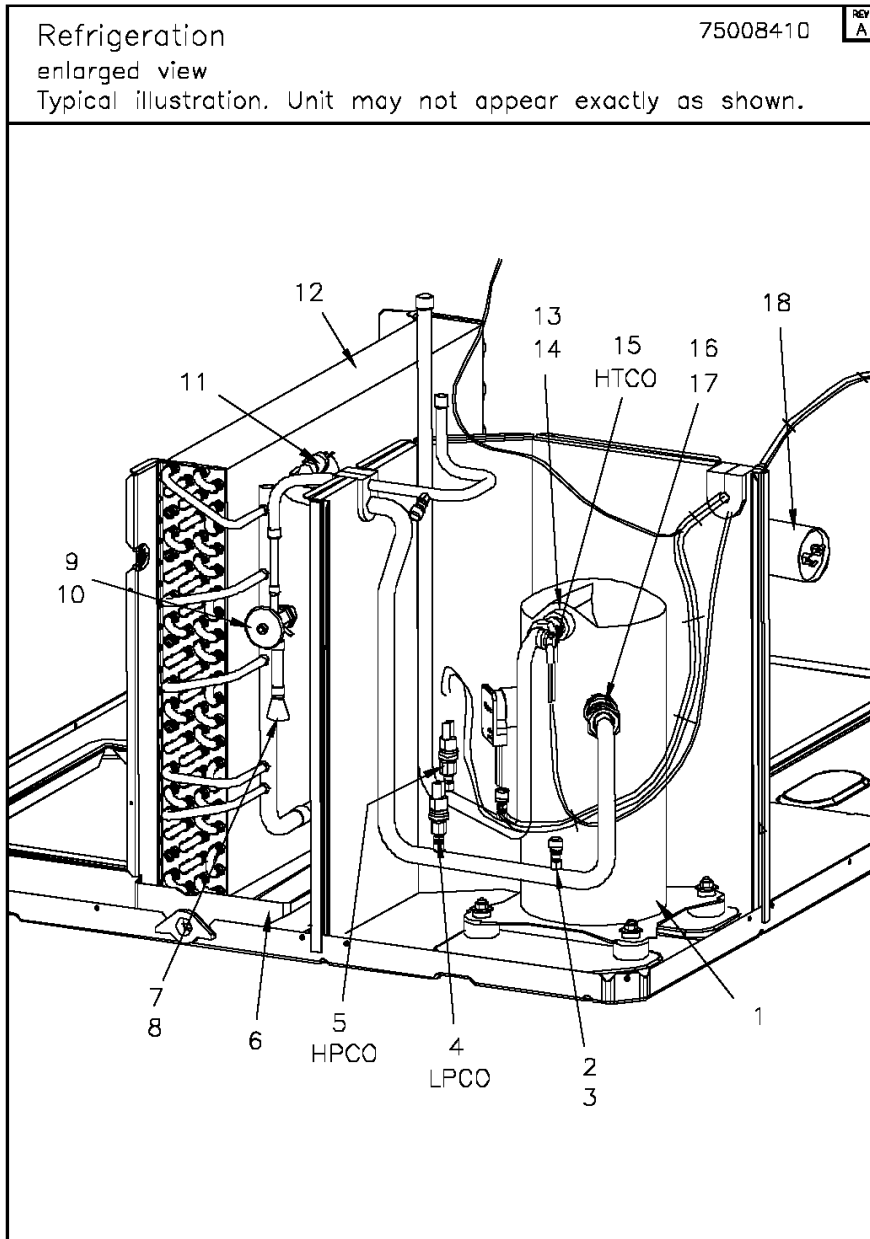
Enlarged View

REFRIGERATION PARTS LIST

Parts List Number :75008387#4YCZ6UP4

Model Number :4YCZ6048A4120BA

Part No.	Reference No.	Quantity	Description
DHY01089	*	1	DRIER; FILTER/LIQUID LINE, 3/8 ODF, R-410A COMPATIBLE, 5 CU. IN.; 5.4 TON CAPACITY
COL15206	1	1	COIL; OUTDOOR, SPINE FIN
SPC00391	2	8	SPACER; OUTDOOR COIL, 2.50 X 1.31. INCLUDES GASKET.



Parts List Number :75008387#4YCZ6UP4

Model Number :4YCZ6048A4120BA

Part No.	Reference No.	Quantity	Description
75008410_4YCZ6UP4_331958~P	*		ENLARGED VIEW PARTS LIST

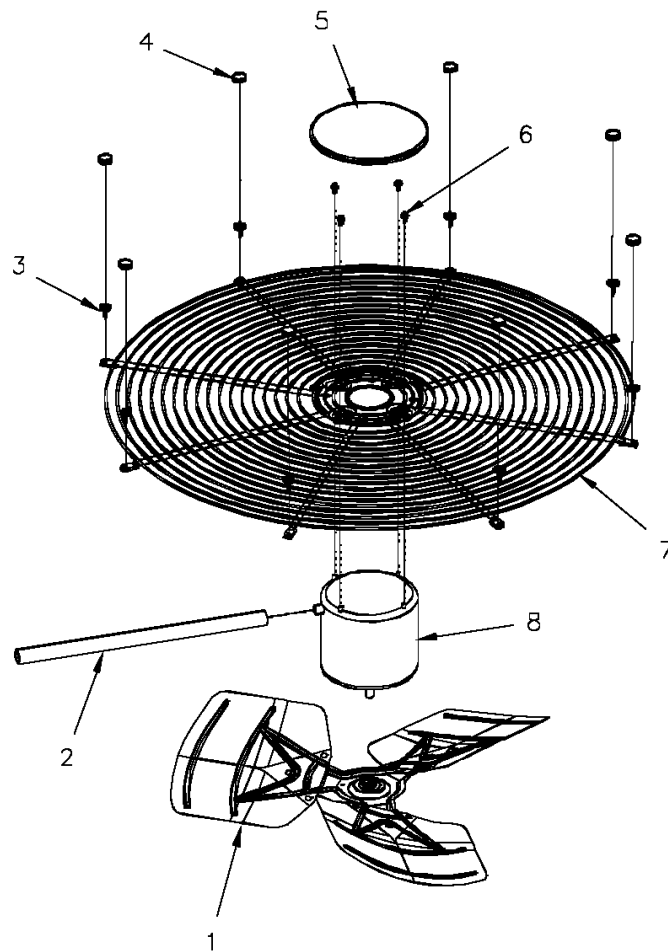
Part No.	Reference No.	Quantity	Description
BLT00809	*	4	BOLT; CARRIAGE, 5/16-18 X 1-3/4
BOD00114	*	3	BODY; VALVE, BRASS, 7/16 HEX, 7/16 -20 UNF-2A
FTG00066	*	2	FITTING;
ISR00007	*	4	ISOLATOR; VIBRATION
NUT00669	*	4	NUT; MACHINE
NUT00890	*	4	NUT; PALLET, 5/16-18 UNC 2B THD.
PLU00976	*	1	PLUG; COMPRESSOR SOLENOID, 2-WIRE (WH,WH), 69 IN LENGTH
WAS00638	*	4	WASHER; FLAT, 5/16 INCH
WIR04496	*	1	WIRE; PLUG, SCROLL COMPRESSOR
COM08979	1	1	COMPRESSOR; TPA040B4RPZ, 3.3 TON, 460/60/3, 2 STEP, R410A, ROTOLock FITTINGS (1.25-12 Suction, 1.00-14 discharge), OIL00094
COR00006	2	3	CORE; VALVE PORT, .79 LENGTH, .206-36 UNS 2A THD
CAP00455	3	3	CAP; HUB, 7/16-20 STRAIGHT
SWT03391	4	1	SWITCH; LOW PRESSURE, SPST, OPENS AT 25 DEGREES PSIG, CLOSES AT 45 DEGREES PSIG
SWT03388	5	1	SWITCH; HIGH PRESSURE, SPST, OPENS AT 650 PSIG, CLOSES AT 500 PSIG
PAN02889	6	1	PAN; DRAIN, BLACK PVC, 35.70 X 7.75
TUB11685	7	1	TUBE; ASSEMBLY, INDOOR DISTRIBUTOR
DST00895	8	1	DISTRIBUTOR; 5 OUTLETS, 19 ODS, .50 ODM INLET, BRASS
TUB11769	9	1	TUBE; ASSEMBLY, INDOOR FLOW CONTROL, R410A
VAL08718	10	1	VALVE; EXPANSION W/ SWEAT FITTINGS, 4 TON, 3/8 IN INLET X 1/2 IN OUTLET, 86/82 PSIG, R410A
CLP00181	11	1	CLIP; BULB
COL15201	12	1	COIL; INDOOR, FLAT FIN
NUT01000	13	1	NUT; 1.00-14 UNS-2B THREAD SIZE (FOR 1/2" TUBE SIZE)
SLV00061	14	1	SLEEVE; PLATED, 1/2IN.
THT02851	15	1	THERMOSTAT; HIGH TEMPERATURE, 240V, SPST, SETTING OPEN AT 234/247F, CLOSE AT 188/212F
NUT00999	16	1	NUT; 1.25-12 UNF-2B THREAD SIZE (FOR 3/4" OR 5/8" TUBE SIZE)
SLV00060	17	1	SLEEVE; FITTING, .75 TUBE DIA
CPT00266	18	1	CAPACITOR; RUN, 5 MFD, 370V, OVAL, W/O RESISTOR

Fan

75008352

REV
A

Typical illustration. Unit may not appear exactly as shown.



Parts List Number :75008387#4YCZ6UP4

Model Number :4YCZ6048A4120BA

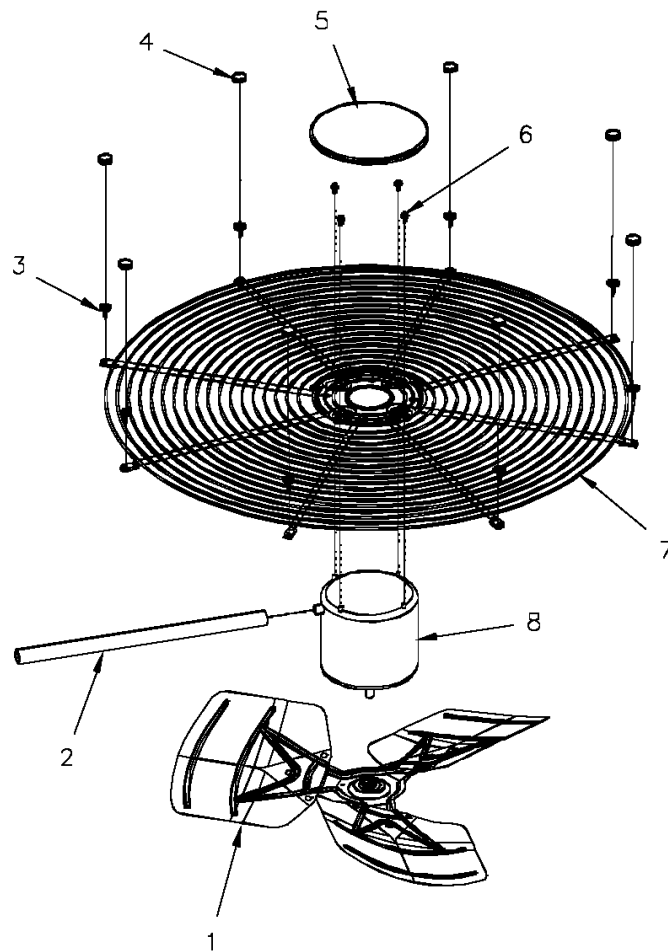
Part No.	Reference No.	Quantity	Description
75008352_4YCZ6UP4_148718~P	*		FAN PARTS LIST

Fan

75008352

REV
A

Typical illustration. Unit may not appear exactly as shown.



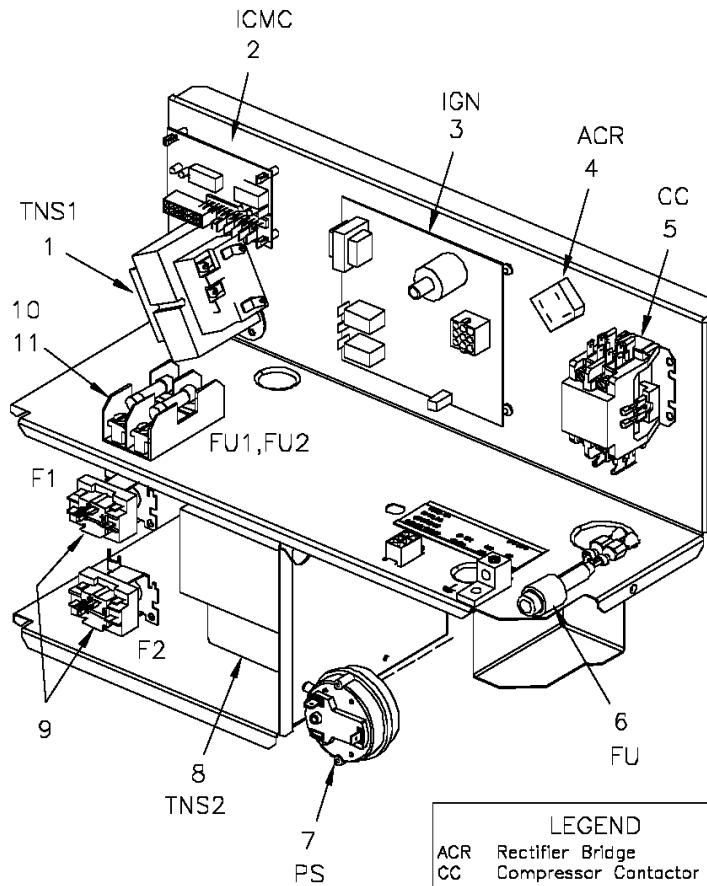
Part No.	Reference No.	Quantity	Description
FAN03984	1	1	FAN; SWEPT BLADE, 2 BLADE, ALUMINUM, 28.25 IN DIA, 24 DEG PITCH, .50 IN BORE, CCW, 1 SET SCREW-STEEL
GRD01440	2	1	GUARD; TROUGH-LEAD
COV03250	5	1	COVER; MOTOR, 6.86 DIA
SCR02086	6	4	SCREW; 10-32 TR-3 HXW 3/8 S
GRL01530	7	1	GRILL; OUTDOOR FAN, 30.64 IN MOUNTING DIA
MOT13828	8	1	MOTOR; OUTDOOR, 1/6 HP, 460/60/1, 830 RPM, TYPE PSC, CCW, SLEEVE BEARINGS, 5 MFD CPT AT 370V

Controls

75008961

REV
A

Typical illustration. Unit may not appear exactly as shown.



LEGEND	
ACR	Rectifier Bridge
CC	Compressor Contactor Coil
F1	Relay-Low Inducer
F2	Relay-High Inducer
FU	Fuse
ICMC	Integrated Commutated Motor Control
IGN	Ignition Control Module
PS	Pressure Switch
TNS	Transformer

Parts List Number :75008387#4YCZ6UP4

Model Number :4YCZ6048A4120BA

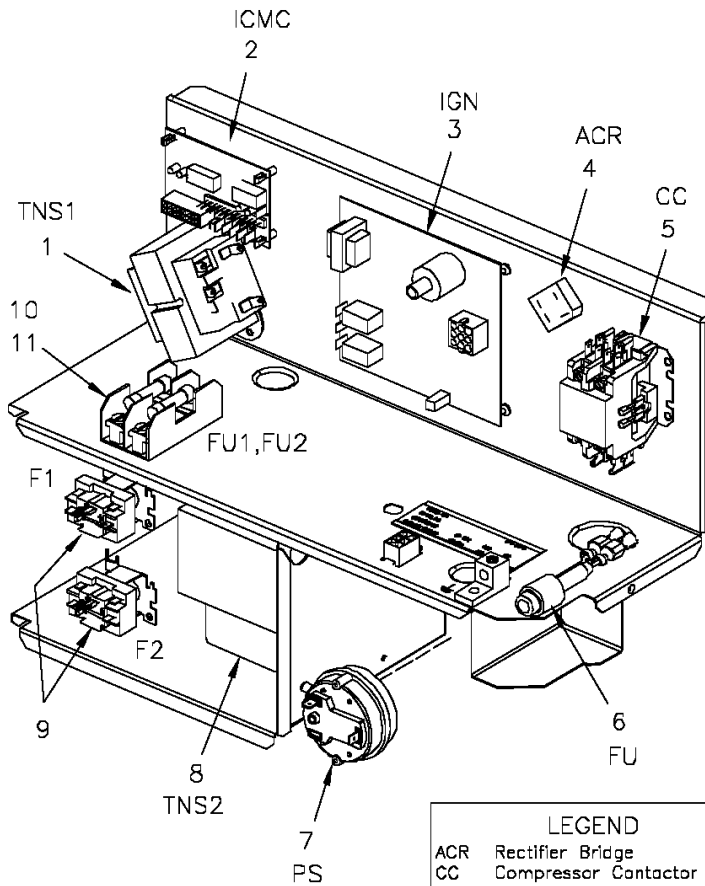
Part No.	Reference No.	Quantity	Description
75008961_4YCZ6UP4_331961~P	*		CONTROLS PARTS LIST

Controls

75008961

REV
A

Typical illustration. Unit may not appear exactly as shown.



LEGEND	
ACR	Rectifier Bridge
CC	Compressor Contactor Coil
F1	Relay-Low Inducer
F2	Relay-High Inducer
FU	Fuse
ICMC	Integrated Commutated Motor Control
IGN	Ignition Control Module
PS	Pressure Switch
TNS	Transformer

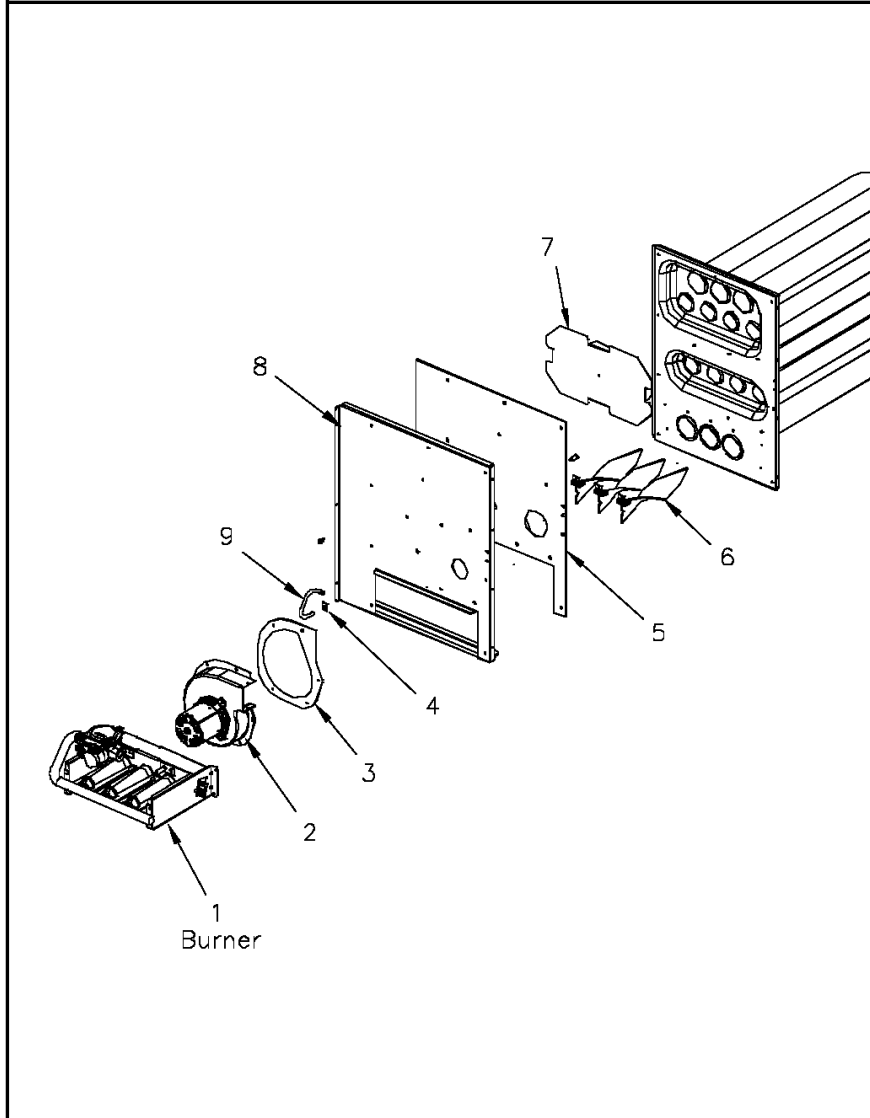
Part No.	Reference No.	Quantity	Description
LUG00014	*	1	LUG, GROUND
WIR05399	*	1	WIRE; HARNESS, CONTROLS. INCLUDES HIGH AND LOW VOLTAGE HARNESSES
TRR01582	1	1	TRANSFORMER; 75VA, 480V PRI, 24V SEC, 60HZ
CNT03600	2	1	CONTROL; ICM FAN, PWB, 16 PIN
CNT05135	3	1	CONTROL; DUAL STAGE, DIRECT SPARK IGNITION MODULE
RTF00058	4	1	RECTIFIER; BRIDGE
CTR01333	5	1	CONTACTOR; 2 POLE, NO, 40 FLA AT 240V, 50/60 HZ, 50 RES AMPS, 24V COIL, 40 FLA AT 277/480/600V
FUS01776	6	1	FUSE; 3.2 AMP, WITH HOLDER AND QUICK CONNECTS
CNT05641	7	1	CONTROL; AIR PRESSURE, SPST, 28VA PILOT DUTY AT 24 VAC, 125VA PILOT DUTY AT 125VAC, SNAP ACTING CONTACTS, OPERATING TEMP RANGE: -40 TO 190F
TRR02086	8	1	TRANSFORMER; AUTO, 1500VA, 460V INPUT, 230V OUTPUT
RLY01384	9	2	RELAY; 240/480V, 24V COIL
FUS00920	10	1	FUSE; TIME DELAY, DUAL ELEMENT, 500 VAC, FNQ-6
BLK00546	11	1	BLOCK; FUSE, 600V, 30 AMP, 2 POLE

Heat

75008402

REV
A

Typical illustration. Unit may not appear exactly as shown.



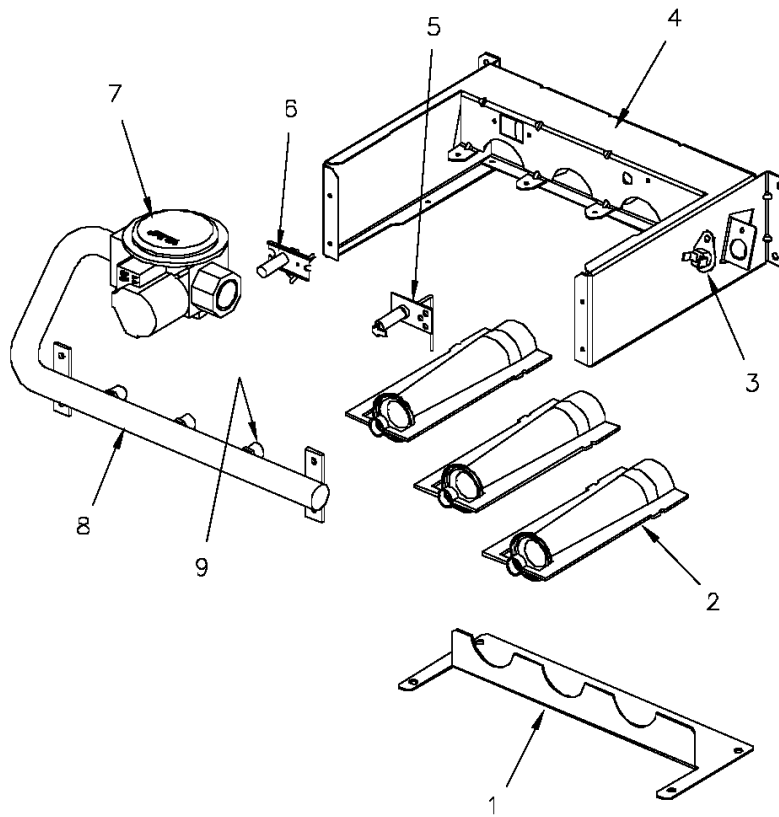
Part No.	Reference No.	Quantity	Description
75008704#4YCZ6UP4~S	*		BURNER
75008402_4YCZ6UP4_337652~P	*		HEAT PARTS LIST

Burner

75008704

REV
A

Typical illustration. Unit may not appear exactly as shown.



Parts List Number :75008387#4YCZ6UP4

Model Number :4YCZ6048A4120BA

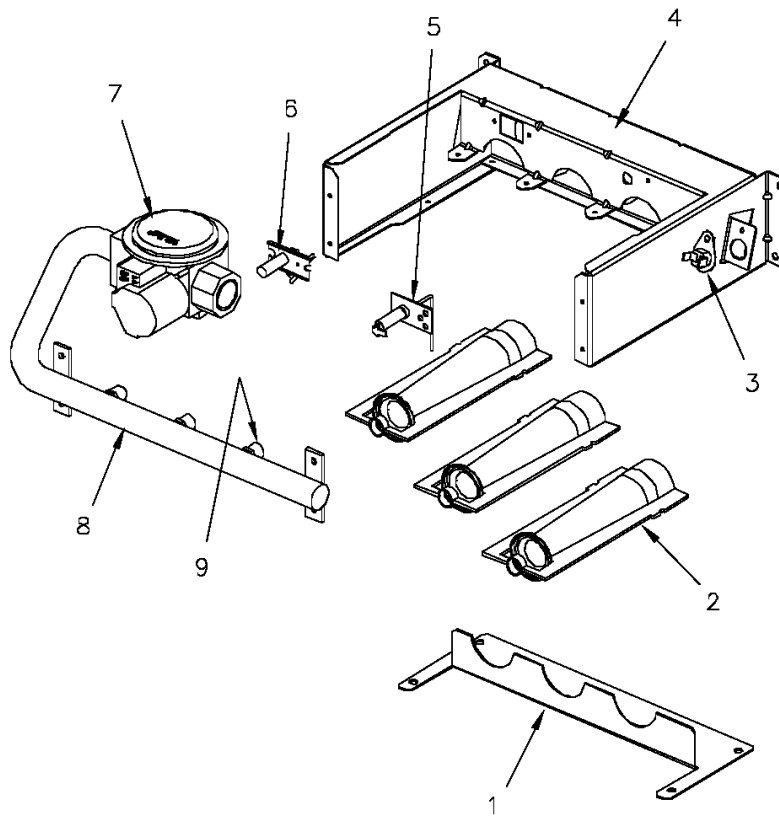
Part No.	Reference No.	Quantity	Description
75008704_4YCZ6UP4_128573~P	*		BURNER PARTS LIST

Burner

75008704

REV
A

Typical illustration. Unit may not appear exactly as shown.



Parts List Number :75008387#4Y CZ6UP4

Model Number :4Y CZ6048A4120BA

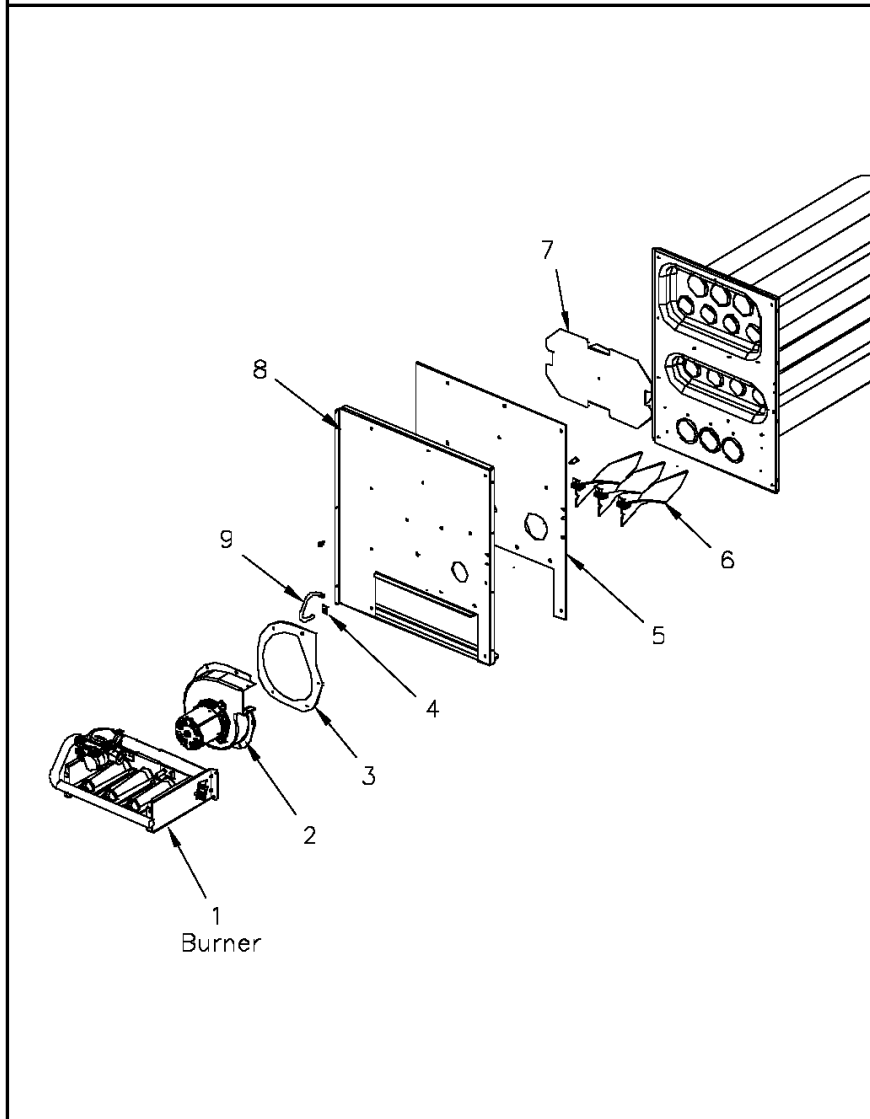
Part No.	Reference No.	Quantity	Description
RTR00833	1	1	RETAINER; BURNER, 10.53 L
BNR01071	2	3	BURNER; 0.60 ID INSHOT BURNER, 0.036 THK 304 STAINLESS STEEL
SWT02945	3	1	SWITCH; TEMP, 200 OPEN/CLOSE MANUAL, 25 AMP AT 240V, 125V PILOT DUTY, STAINLESS STEEL
BRK03606	4	1	BRACKET; BURNER
SEN00297	5	1	SENSOR; FLAME
IGN00135	6	1	IGNITER; ELECTRODE, 22 INCH LEAD
VAL09034	7	1	VALVE; GAS, 2 STAGE, 1/2-14 NPT, 24V, 50/60 HZ, "J" SERIES
MFD01157	8	1	MANIFOLD; GAS
ORF01307	9	3	ORIFICE; GAS, .116 DIA, # 32 DRILL, SPUD

Heat

75008402

REV
A

Typical illustration. Unit may not appear exactly as shown.



Parts List Number :75008387#4Y CZ6UP4

Model Number :4Y CZ6048A4120BA

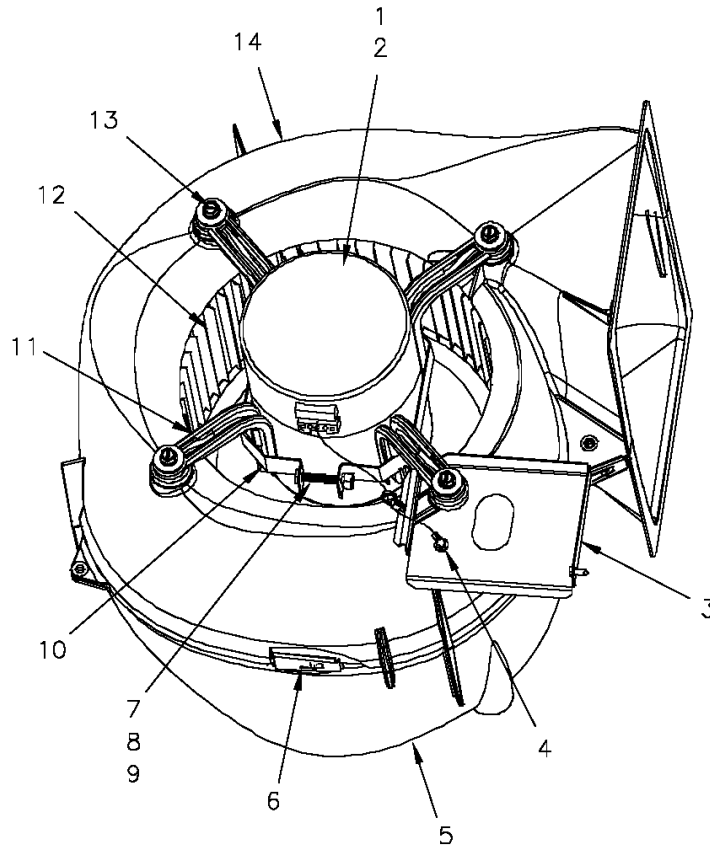
Part No.	Reference No.	Quantity	Description
BRK03603	*	3	BRACKET; TURBULATOR
CLP01096	*	1	CLIP; STATIC TAP
EXC02104	*	1	EXCHANGER; HEAT
THT02546	*	1	THERMOSTAT; LIMIT SWITCH, OPEN AT 140F, CLOSE AT 110F
BLW01144	2	1	BLOWER; INDUCER, 1/50 HP, 460/60/1, 3000 RPM, .50 AMPS. INCLUDES GKT04075.
GKT04075	3	1	GASKET; INDUCER BLOWER
CLP00940	4	1	CLIP; STATIC, RETAINER, .80 X .56 X .022
GKT04063	5	1	GASKET; COLLECTOR BOX, 20.96 X 14.82
TRB00121	6	3	TURBULATOR; AND BRACKET ASSEMBLY
SHD00398	7	1	SHIELD; HEAT, STAINLESS STEEL, 12.77 X 7.32
BOF01930	8	1	BLOCKOFF; BARRIER-GAS HEAT, 21.16 X 18.30
TUB05375	9	1	TUBE; CONNECTING PRESSURE SW, 3/16 ID X 9 IN LENGTH

Blower

75008694

REV
A

Typical illustration. Unit may not appear exactly as shown.



Parts List Number :75008387#4YCZ6UP4

Model Number :4YCZ6048A4120BA

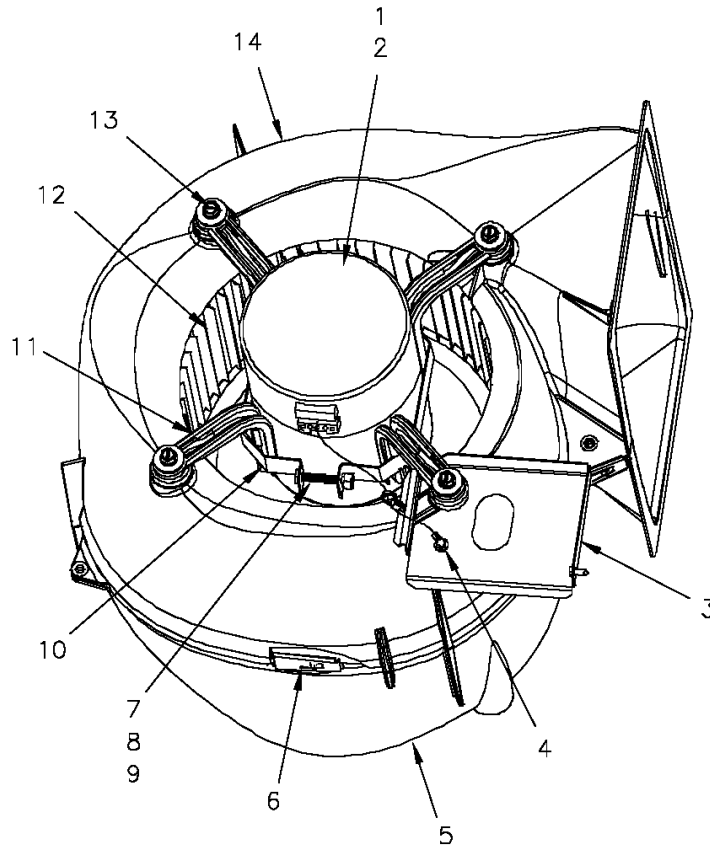
Part No.	Reference No.	Quantity	Description
75008694_4YCZ6UP4_128575~P	*		BLOWER PARTS LIST

Blower

75008694

REV
A

Typical illustration. Unit may not appear exactly as shown.



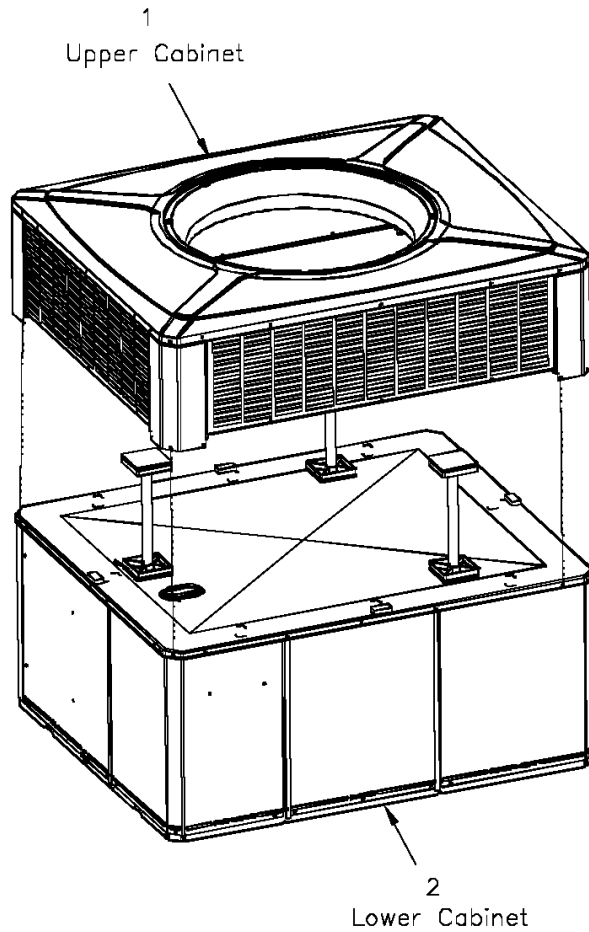
Part No.	Reference No.	Quantity	Description
BLW01048	*	1	BLOWER; ASSEMBLY COMPLETE
MOD01620	1	1	MODULE; ELECTRONIC MOTOR CONTROL, VARIABLE SPEED PROGRAMMED
MOT12861	2	1	MOTOR; PROGRAMMED 3/4 HP, 208-230/60/1, CW, 6.8 AMPS (PROGRAMMED MOTOR/MODULE COMBINATION). FOR ELECTRONIC MODULE ONLY USE MOD01620.
BRK03543	3	1	BRACKET; BLOWER RETAINER, 4.32 X 5.64
SCR00968	4	1	SCREW; 10-16 HEX WASHER, TYPE B, THREAD FORMING SCREW, 0.31 THREAD LENGTH, STEEL W/ZINC FINISH
HUS03825	5	1	HOUSING; BLOWER RIGHT SIDE WITHOUT MOUNTING HOLES, MOLDED GLASS FIBER POLYESTER, COLOR: NATURAL
CLP01088	6	4	CLIP; CLEAT-BLOWER
SCR01584	7	1	BOLT; 1/4-20 MA HX 1.5 S
NUT00487	8	1	NUT; STEEL HEX, 1/4-20
WAS00646	9	1	WASHER; STEEL SPRING LOCK, 1/4 INCH
BND00026	10	1	BAND; MOTOR MOUNT
BRK03396	11	4	BRACKET; ARM-MOTOR
WHL02557	12	1	WHEEL; BLOWER, 53 BLADES, CCW, CONCAVE DISC, 11.75 X 10.62
SCR02112	13	1	SCREW; ASSEMBLY-MOTOR MOUNT
HUS03824	14	1	HOUSING; BLOWER LEFT SIDE WITH 4 MOUNTING HOLES, MOLDED GLASS FIBER POLYESTER, COLOR: NATURAL

Cabinet

75008397

REV
A

Typical illustration. Unit may not appear exactly as shown.



View is determined by facing Appearance Nameplate

Parts List Number :75008387#4YCZ6UP4

Model Number :4YCZ6048A4120BA

Part No.	Reference No.	Quantity	Description
75008397_4YCZ6UP4_128567~P	*		CABINET PARTS LIST
75008406#4YCZ6UP4~S	*		LOWER CABINET
75008693#4YCZ6UP4~S	*		UPPER CABINET

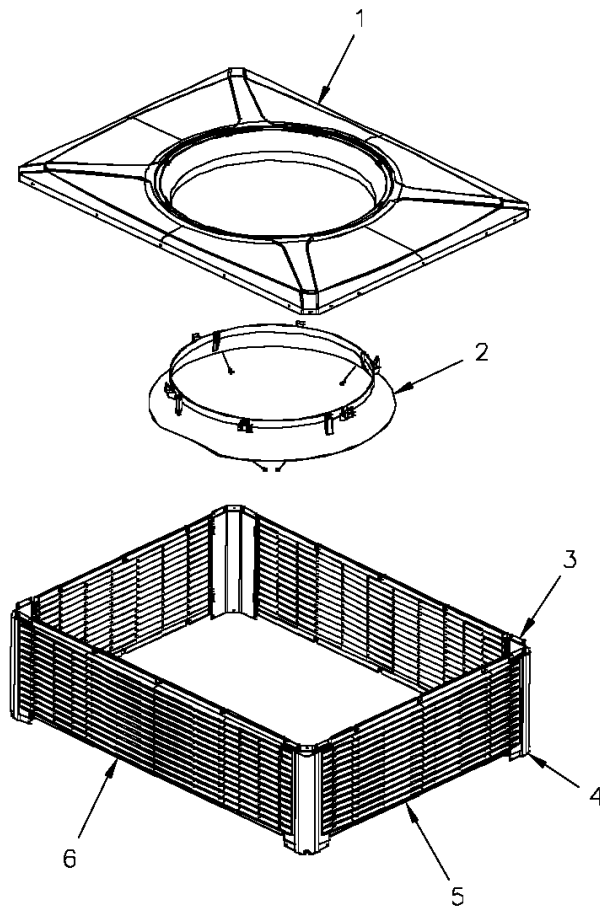
Cabinet

75008693

REV
A

upper

Typical illustration. Unit may not appear exactly as shown.



Parts List Number :75008387#4YCZ6UP4

Model Number :4YCZ6048A4120BA

Part No.	Reference No.	Quantity	Description
75008693_4YCZ6UP4_141260~P	*		UPPER CABINET PARTS LIST

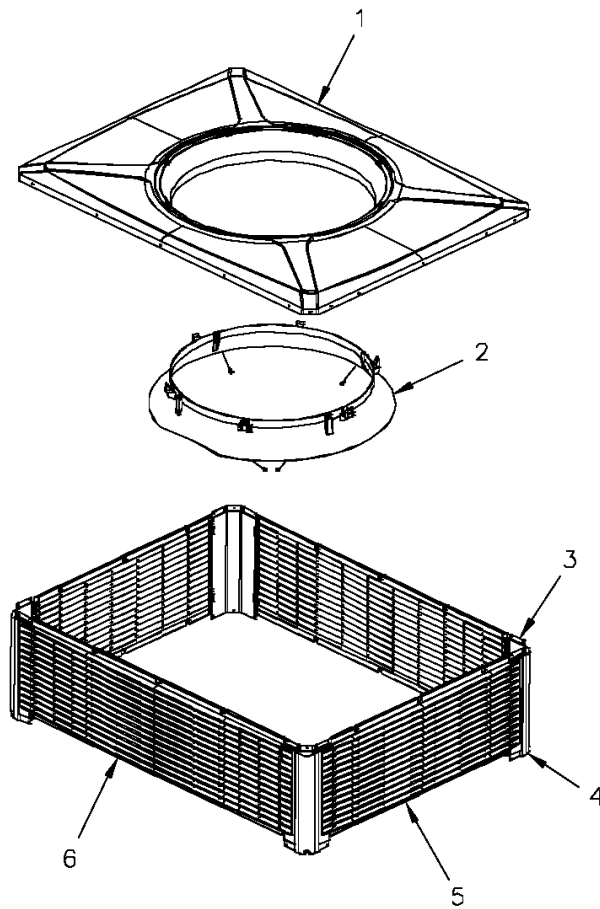
Cabinet

75008693

REV
A

upper

Typical illustration. Unit may not appear exactly as shown.



Part No.	Reference No.	Quantity	Description
BRK03610	*	16	BRACKET; PLASTIC LOUVER, 2.0 X .63 X .53
RIV00096	*	4	RIVET; BLIND, STAINLESS STEEL
SUP05014	*	3	SUPPORT; OD COIL, BOTTOM, 4X4, INCLUDES GASKET
SUP05015	*	3	SUPPORT; OD COIL, TOP, 4X4, INCLUDES GASKET
TUB12257	*	3	TUBE; SUPPORT, TOP PIPE, .75 DIA, SCHEDULE 40 GREY PVC, 18.46 INCHES
COV03695	1	1	COVER; OUTDOOR, TOP, 58.33 X 44.08
ORF01443	2	1	ORIFICE; INLET, 34.12 OUTSIDE DIA, 28.28 INSIDE DIA
PNL22004	3	4	PANEL; CORNER POST, 17.84 H
GRD01621	4	4	GUARD; BUMPER, UPPER CORNER, 17.81 X 6.83
PNL22188	5	2	PANEL; PLASTIC LOUVER, 38.86 X 17.40 - INCLUDES SPEED NUTS AND MOUNTING BRACKETS.
PNL22192	6	2	PANEL; PLASTIC LOUVER, 53.12 X 17.40 - INCLUDES SPEED NUTS AND MOUNTING BRACKETS.

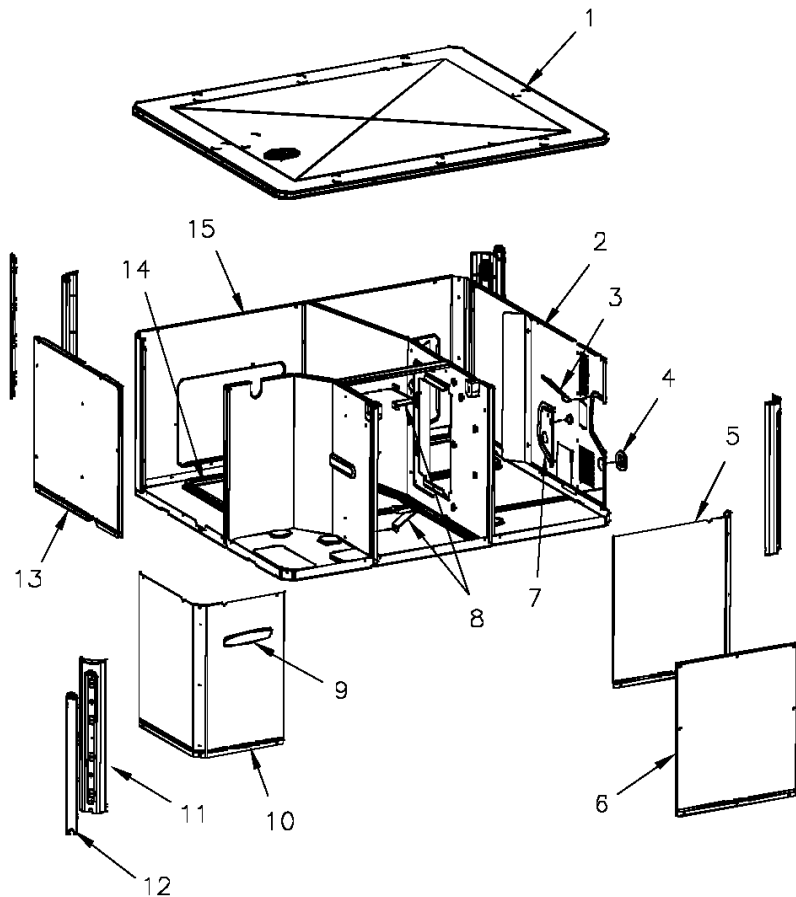
Cabinet

75008406

REV
A

lower

Typical illustration. Unit may not appear exactly as shown.



View is determined by facing Appearance Nameplate

Parts List Number :75008387#4YCZ6UP4

Model Number :4YCZ6048A4120BA

Part No.	Reference No.	Quantity	Description
75008406_4YCZ6UP4_141258~P	*		LOWER CABINET PARTS LIST

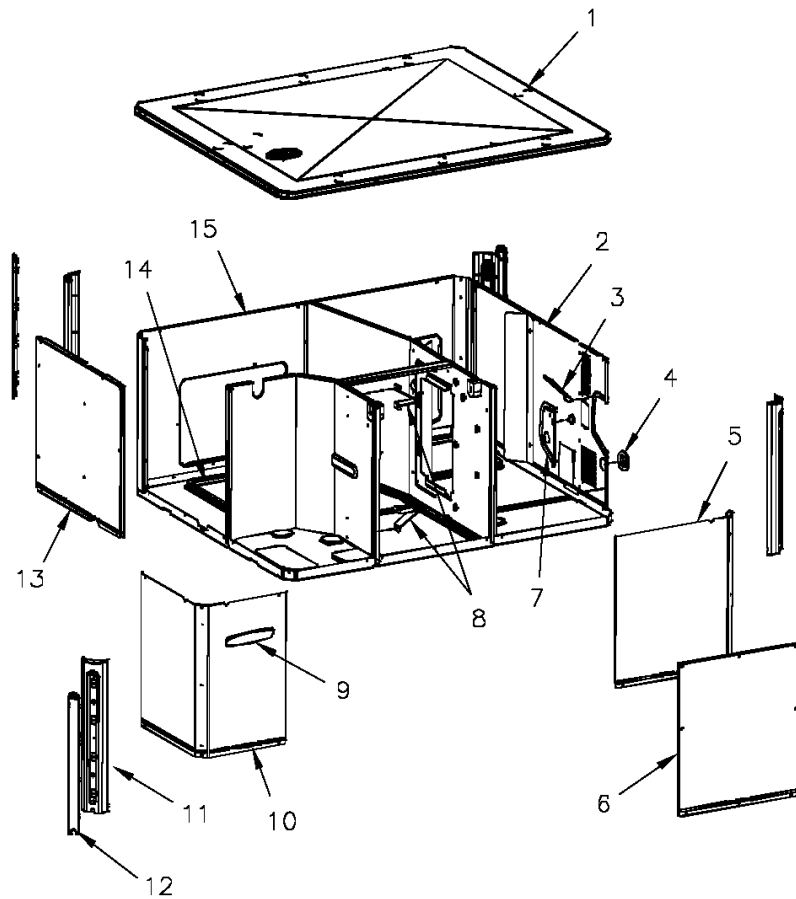
Cabinet

75008406

REV
A

lower

Typical illustration. Unit may not appear exactly as shown.



View is determined by facing Appearance Nameplate

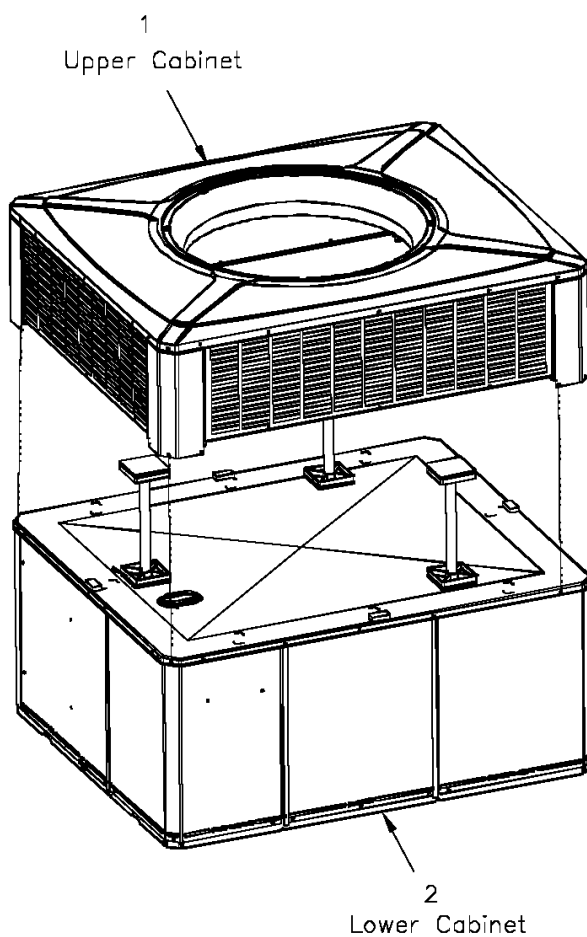
Part No.	Reference No.	Quantity	Description
BOF01930	*	1	BLOCKOFF; BARRIER-GAS HEAT, 21.16 X 18.30
GRM00118	*	1	GROMMET; 3/16 IN ID, NEOPRENE
GRM00129	*	2	GROMMET; SCREW
HOD00519	*	1	HOOD; ASSEMBLY, FLUE
SHD00424	*	1	SHIELD; LOUVER, BOTTOM, 6.0 X 4.0
COV03697	1	1	COVER; INDOOR, TOP, 58.33 X 44.08
PNL22183	2	1	PANEL; GAS HEAT ACCESS, 39.00 X 20.91
SHD00397	3	1	SHIELD; LOUVER, TOP, 5.0 X 1.9
BUS00616	4	1	BUSHING; 1.62 DIA
PNL22210	5	1	PANEL; CONTROL/HEAT ACCESS, 17.93 X 20.70
PNL22014	6	1	PANEL; BLOWER ACCESS, 27.36 X 20.70
PNL22042	7	1	PANEL; GAS HEAT, 7.81 X 4.50
BRK03544	8	2	BRACKET; BLOWER SUPPORT, U-SHAPED, 3.00 X 2.00 X 2.83
PLT04416	9	1	PLATE; APPEARANCE NAMEPLATE, TRANE XL16C, 9.0 X 1.82
PNL21999	10	1	PANEL; COMPRESSOR ACCESS, 20.7 X 12.7 & 20.7 X 15.5
GRD01668	11	4	GUARD; BUMPER, LOWER CORNER, 20.04 X 3.30
CAP01010	12	4	CAP; LOWER CORNER BUMPER, 18.74 X 1.45
PNL22040	13	1	PANEL; INDOOR COIL ACCESS, 25.42 X 20.70
COV03699	14	2	COVER; SUPPLY AND RETURN, 17.88 X 14.88
PNL22193	15	1	PANEL; SUPPLY AND RETURN, 58.13 X 20.88

Cabinet

75008397

REV
A

Typical illustration. Unit may not appear exactly as shown.

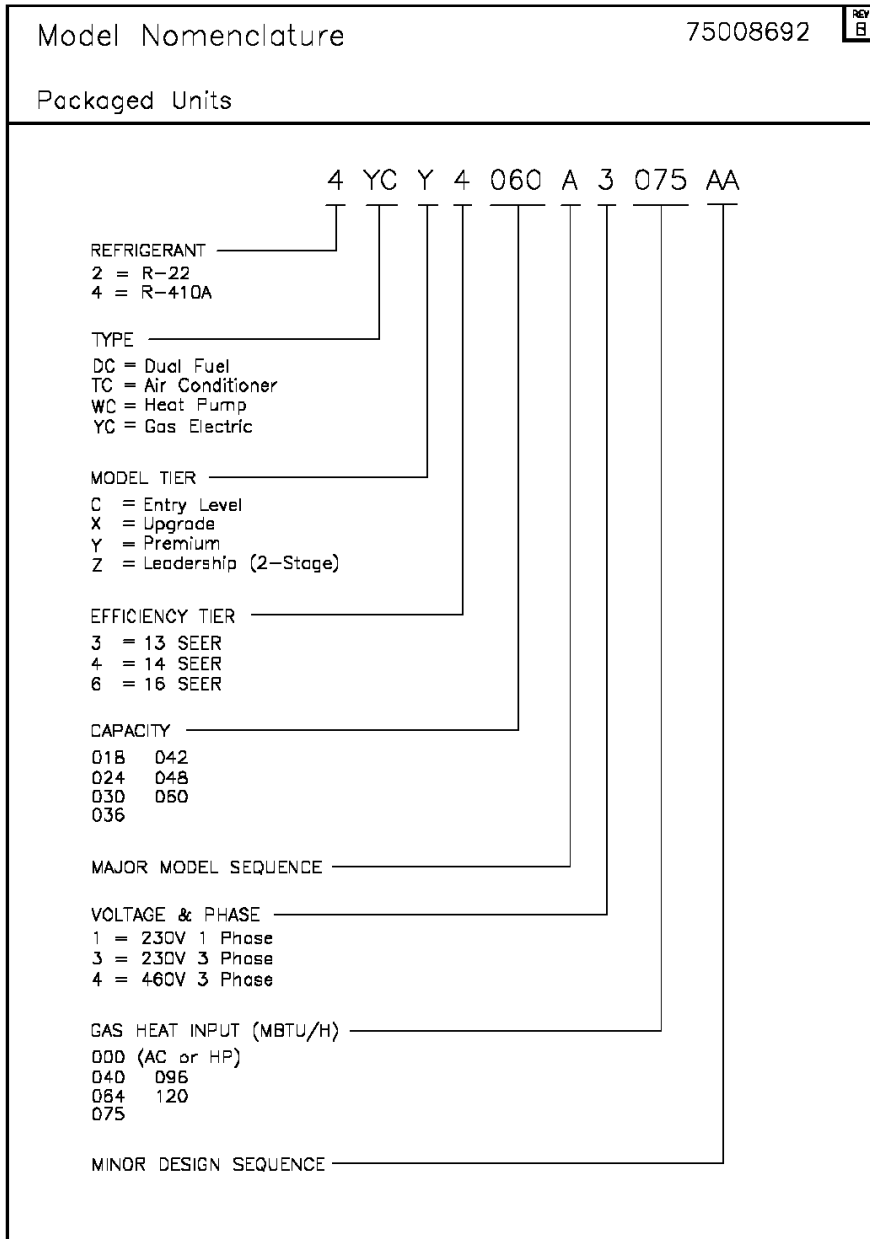


View is determined by facing Appearance Nameplate

Parts List Number :75008387#4YCZ6UP4

Model Number :4YCZ6048A4120BA

Part No.	Reference No.	Quantity	Description
PAI00074	*	1	PAINT; SPRAY, SLATE GREY, FULL GLOSS(88) (SHIPPING UOM 12 OZ HAZ)



Part No.	Reference No.	Quantity	Description
75008692_4YCZ6UP4_128574~P	*		MODEL NOMENCLATURE PARTS LIST



Parts List Number :75008387#4Y CZ6UP4

Model Number :4Y CZ6048A4120BA

Part No.	Reference No.	Quantity	Description
NGRAPHIC_4Y CZ6UP4_337653~ P	*		OPTIONAL FIELD INSTALLED ACCESSORIES PARTS LIST

NO GRAPHIC AVAILABLE

75013702

REV
A

**NO
GRAPHIC
AVAILABLE**

Parts List Number :75008387#4YCYZ6UP4

Model Number :4YCYZ6048A4120BA

Part No.	Reference No.	Quantity	Description
BAYUV102A	*	1	36 WATT UV LIGHT KIT FOR MEDIUM PACKAGED UNITS
ECN00125	*	1	ECONOMIZER; DOWN DISCHARGE, AND RAIN HOOD (BAYECON104AA)
ECN00127	*	1	ECONOMIZER; HORIZONTAL (BAYECON204AA)
KIT03361	*	1	KIT; LIFTING LUGS-BAYLIFT002B (CTN = 6 PIECES)
KIT06658	*	1	KIT; ENTHALPY CONTROL (BAYENTH001AB)
KIT13553	*	1	KIT; CURB ADAPTER (BAYADAP052AA)
KIT13554	*	1	KIT; CURB ADAPTER (BAYADAP053AA)
KIT13555	*	1	KIT; CURB ADAPTER (BAYADAP054AA)
KIT13559	*	1	KIT; 12 INCH DUCT SHROUD COVERS HORIZONTAL (BAYCOVR112AA)
KIT13560	*	1	KIT; 18 INCH DUCT SHROUD COVERS HORIZONTAL (BAYCOVR118AA)
KIT13562	*	1	KIT; FULL PERIMETER ROOF MOUNTING CURB (BAYCURB051AA)
KIT13564	*	1	KIT; OUTSIDE AIR, 2 POS DAMPER (BAYDMPR102AA)
KIT13565	*	1	KIT; EXTREME CURB MOUNTING (BAYEXMK001AA)
KIT13567	*	1	KIT; EXTREME CURB MOUNTING (BAYEXMK003AA)
KIT13568	*	1	KIT; LP CONVERSION (BAYLPKT100AA)
KIT13572	*	1	KIT; OUTSIDE AIR, MANUAL DAMPER (BAYOSAH002AA)
KIT13576	*	1	KIT; SQUARE/ROUND DUCT ADAPTER (BAYSQRD002AA)
KIT13650	*	1	KIT; UNCASSED COIL ENCLOSURE ASSEMBLY, 22.63 X 17.50 X 21.50, BAYCLE17A1722AA
KIT15004	*	1	KIT; CRANKCASE HEATER, 460V SCROLL COMPRESSORS (BAYCCHT404BA) 6.5-7.5 DIA, 60W, 110L
KIT15097	*	1	KIT; FILTER FRAME (BAYFLTR201BA). USE (1) 20 X 20, PLUS (1) 20 X 18 FILTER - NOT INCLUDED.
KIT15142	*	1	KIT; ACCESS DOOR, 3-1/2 TO 5 TON MODELS (BAYACCDOR2AA)
KIT15323	*	1	KIT; EXTREME CURB MOUNTING (BAYEXMK002BA)
KIT15324	*	1	KIT; OUTSIDE AIR CONTROL (BAYOSAC001BA)
KIT15326	*	1	KIT; ROOF CURB UTILITY EXTENSION KIT (BAYUTIL102BA)
KIT15406	*	1	KIT; ECONOMIZER, HINGED FILTER ACCESS DOOR AND FILTER FRAME (BAYECONCOMB104A)
TMR00140	*	1	TIMER; ANTISHORT CYCLE (BAYASCT001)