

Part No.	Reference No.	Quantity	Description
0000112434~S	*		BLOWER
0000112433~S	*		CABINET - LOWER
0000112431~S	*		CABINET - UPPER
0000112430~S	*		CONTROLS
0000112429~S	*		FAN
0000112326~S	*		GENERAL ASSEMBLY
0000112436~S	*		HEAT
0000112432~S	*		MODEL NUMBER DESCRIPTION
0000112435~S	*		OPTIONAL ACCESSORIES
0000112427~S	*		OUTDOOR COIL
0000112428~S	*		REFRIGERATION

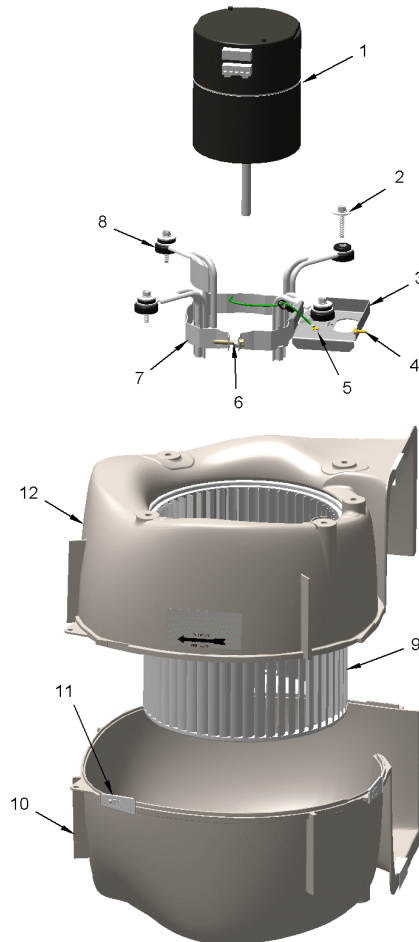
Part No.	Reference No.	Quantity	Description
0000013136~P	*		BLOWER PARTS LIST

BLOWER

75010829

REV.
A

TYPICAL ILLUSTRATION



BLOWER PARTS LIST

Parts List Number :0000097639

Model Number :4YCZ6036A4075DB

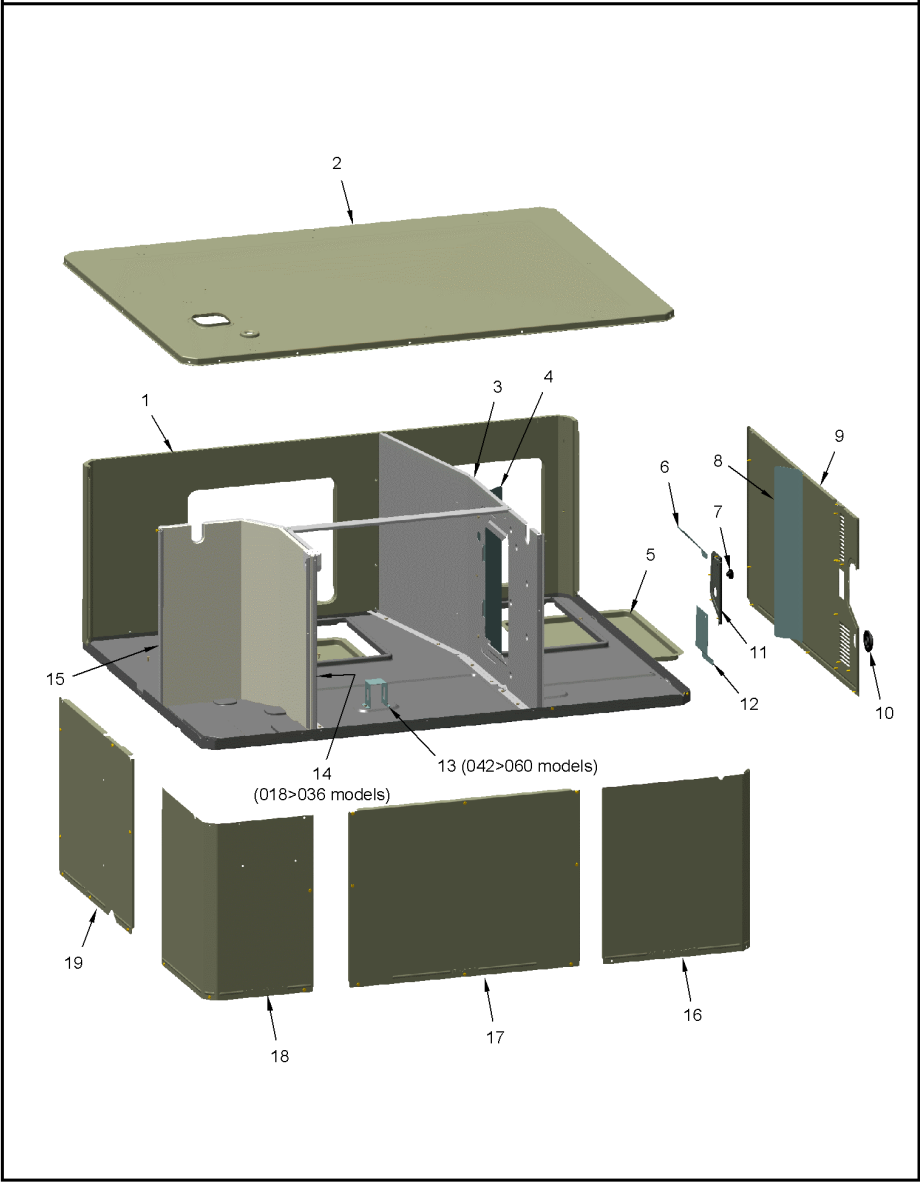
Part No.	Reference No.	Quantity	Description
BLW01053	*	1	BLOWER; ASSEMBLY COMPLETE
MOT12860	1a	1	MOTOR; ECM VS MOTOR MODULE SET; 1/2 HP; 115/230 VOLTAGE; PROGRAMMED
MOD01619	1b	1	MODULE; ELECTRONIC MOTOR CONTROL, VARIABLE SPEED PROGRAMMED
SCR02112	2	4	SCREW; ASSEMBLY-MOTOR MOUNT
BRK03542	3	1	BRACKET; BLOWER RETAINER, 4.32 X 3.45
SCR00998	4	1	SCREW; 10-16 B HXW 1/2 S
SCR00968	5	1	SCREW; 10-16 HEX WASHER, TYPE B, THREAD FORMING SCREW, 0.31 THREAD LENGTH, STEEL W/ZINC FINISH
NUT00487	6a	1	NUT; STEEL HEX, 1/4-20
SCR01584	6b	1	BOLT; 1/4-20 MA HX 1.5 S
WAS00646	6c	1	WASHER; STEEL SPRING LOCK, 1/4 INCH
BND00026	7	1	BAND; MOTOR MOUNT
BRK03396	8	4	BRACKET; ARM-MOTOR
WHL02167	9	1	WHEEL; FAN, 10.62 DIA X 10.68W, .50 BORE, CCW, CONCAVE
HUS03804	10	1	HOUSING; BLOWER LEFT SIDE WITH 4 MOUNTING HOLES, MOLDED GLASS FIBER POLYESTER, COLOR: NATURAL
CLP01088	11	4	CLIP; CLEAT-BLOWER
HUS03805	12	1	HOUSING; BLOWER RIGHT SIDE WITHOUT MOUNTING HOLES, MOLDED GLASS FIBER POLYESTER, COLOR: NATURAL

Part No.	Reference No.	Quantity	Description
0000013139~P	*		CABINET - LOWER PARTS LIST

CABINET
LOWER - INDOOR
TYPICAL ILLUSTRATION

75010752

REV.
A



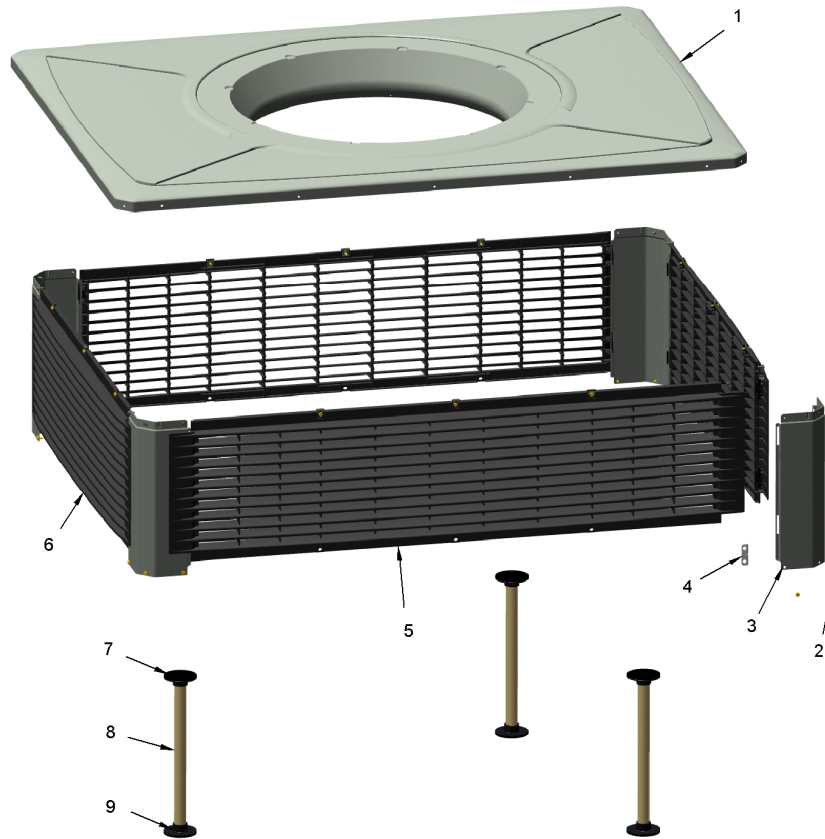
Part No.	Reference No.	Quantity	Description
GRM00129	*	2	GROMMET; SCREW
HOD00519	*	1	HOOD; ASSEMBLY, FLUE
PAI00074	*	1	PAINT; SPRAY, SLATE GREY, FULL GLOSS(88) (SHIPPING UOM 12 OZ HAZ)
PLT04416	*	1	PLATE; APPEARANCE NAMEPLATE, TRANE XL16C, 9.0 X 1.82
PNL22197	1	1	PANEL; SUPPLY AND RETURN, 48.41 X 20.88
COV03696	2	1	COVER; INDOOR, TOP, 48.61 X 41.08
PNL26584	3	1	PANEL; BLOWER BARRIER, 41.05 X 21.15
BAF01248	4	1	BAFFLE; AIR, 18 IN HIGH
COV03698	5	2	COVER; SUPPLY AND RETURN, 15.88 X 11.88
SHD00397	6	1	SHIELD; LOUVER, TOP, 5.0 X 1.9
GRM00118	7	1	GROMMET; 3/16 IN ID, NEOPRENE
BAF01392	8a	1	BAFFLE; AIR, 20.00 X 3.68
PNL22038	9	1	PANEL; GAS HEAT ACCESS, 36.00 X 20.91
BUS00616	10	1	BUSHING; 1.62 DIA
PNL22042	11	1	PANEL; GAS HEAT, 7.81 X 4.50
SHD00424	12	1	SHIELD; LOUVER, BOTTOM, 6.0 X 4.0
BRK03541	14	1	BRACKET; BLOWER SUPPORT, V-SHAPED, 3.13 X 2.75 X 1.50
PNL28755	15	1	PANEL; COMPRESSOR BARRIER, 27.22 W X 21.15 H
PNL22000	16	1	PANEL; CONTROL/HEAT ACCESS, 17.93 X 20.70
PNL22013	17	1	PANEL; BLOWER ACCESS, 17.63 X 20.70
PNL21998	18	1	PANEL; COMPRESSOR ACCESS, 20.7 X 12.7 & 20.7 X 15.5
PNL22039	19	1	PANEL; INDOOR COIL ACCESS, 22.42 X 20.70

Part No.	Reference No.	Quantity	Description
000008996~P	*		CABINET - UPPER PARTS LIST

CABINET
UPPER-OUTDOOR

75013694

REV
A



This is a typical illustration. The unit in the field may not appear exactly as shown.

Part No.	Reference No.	Quantity	Description
COV03694	1	1	COVER; OUTDOOR, TOP, 48.61 X 41.08
SCR01511	2	12	SCREW; 10-16 B HXW 1/2 S
PNL22002	3	4	PANEL; CORNER POST, 13.84 H
BRK03610	4	16	BRACKET; PLASTIC LOUVER, 2.0 X .63 X .53
PNL23824	5	2	PANEL; PLASTIC LOUVER, 43.40 X 13.40 - INCLUDES SPEED NUTS AND MOUNTING BRACKETS.
PNL23823	6	2	PANEL; PLASTIC LOUVER, 35.86 X 13.40 - INCLUDES SPEED NUTS AND MOUNTING BRACKETS.
SUP05919	7	3	SUPPORT; OUTDOOR COIL, 3.0 DIA, WITH GASKET
TUB12284	8	3	TUBE; SUPPORT, TOP PIPE, .75 DIA, SCHEDULE 40 GREY PVC, 14.46 INCHES
SUP05918	9	3	SUPPORT; OUTDOOR COIL, 3.0 DIA, WITH GASKET

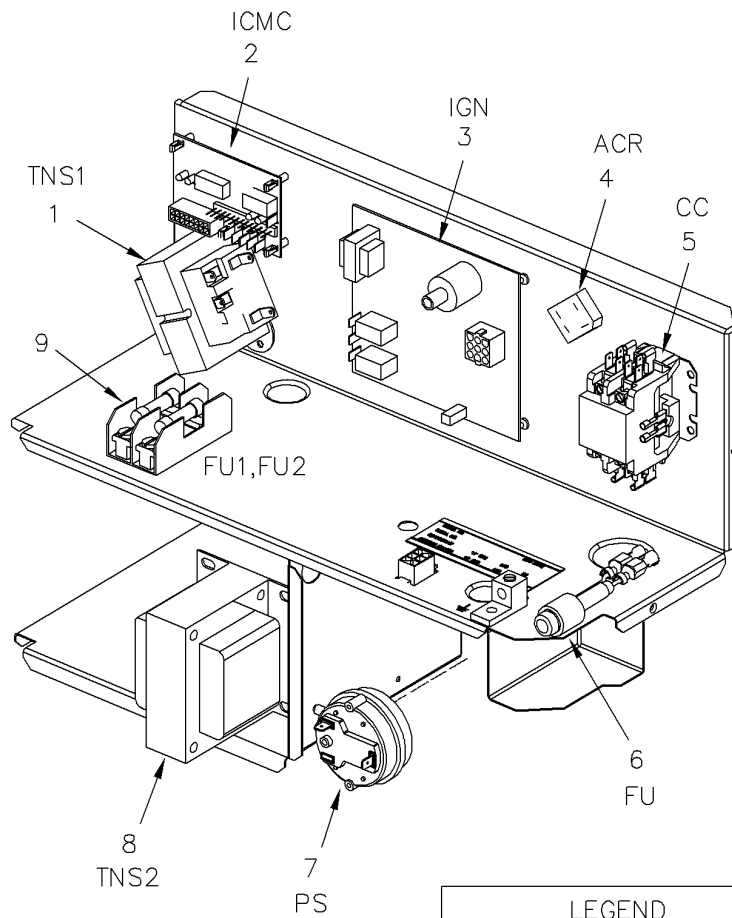
Part No.	Reference No.	Quantity	Description
0000013156~P	*		CONTROLS PARTS LIST

Controls

75010216

REV
A

Typical illustration. Unit may not appear exactly as shown.



LEGEND	
ACR	Rectifier Bridge
CC	Compressor Contactor Coil
FU	Fuse
ICMC	Integrated Commutated Motor Control
IGN	Ignition Control Module
PS	Pressure Switch
TNS	Transformer

Part No.	Reference No.	Quantity	Description
LUG00014	*	1	LUG, GROUND
WIR04337	*	1	WIRE; HARNESS, ICM-LOW VOLTAGE. INCLUDES (2) PLU00538.
TRR01582	1	1	TRANSFORMER; 75VA, 480V PRI, 24V SEC, 60HZ
CNT03600	2	1	CONTROL; ICM FAN, PWB, 16 PIN
CNT05135	3	1	CONTROL; DUAL STAGE, DIRECT SPARK IGNITION MODULE
RTF00058	4	1	RECTIFIER; BRIDGE
CTR01333	5	1	CONTACTOR; 2 POLE, NO, 40 FLA AT 240V, 50/60 HZ, 50 RES AMPS, 24V COIL, 40 FLA AT 277/480/600V
FUS01776	6	1	FUSE; 3.2 AMP, WITH HOLDER AND QUICK CONNECTS
CNT05641	7	1	CONTROL; AIR PRESSURE, SPST, 28VA PILOT DUTY AT 24 VAC, 125VA PILOT DUTY AT 125VAC, SNAP ACTING CONTACTS, OPERATING TEMP RANGE: -40 TO 190F
TRR02156	8	1	TRANSFORMER; AUTO, 750VA, 480V INPUT, 240V OUTPUT
FUS00217	9a	2	FUSE; TIME DELAY, 500 VAC, FNQ-3
BLK00546	9b	1	BLOCK; FUSE, 600V, 30 AMP, 2 POLE

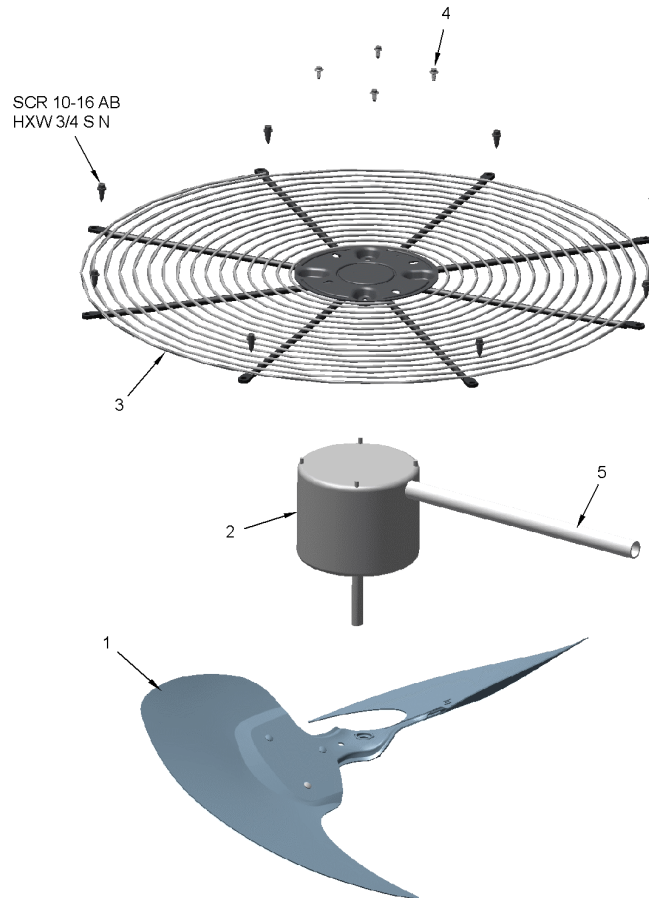
Part No.	Reference No.	Quantity	Description
0000013140~P	*		FAN PARTS LIST

FAN

75010673

REV
A

TYPICAL ILLUSTRATION



Part No.	Reference No.	Quantity	Description
FAN03983	1	1	FAN; SWEPT BLADE, 2 BLADE, ALUMINUM, 23.4 IN DIA, 30 DEGREES PITCH, .50 IN BORE, CCW, 1 SET SCREW-STEEL
MOT13828	2	1	MOTOR; OUTDOOR, 1/6 HP, 460/60/1, 830 RPM, TYPE PSC, CCW, SLEEVE BEARINGS, 5 MFD CPT AT 370V
GRL01529	3	1	GRILL; OUTDOOR FAN, 26.0 IN MOUNTING DIA
SCR02086	4	4	SCREW; 10-32 TR-3 HXW 3/8 S
GRD01633	5	1	GUARD; TROUGH-LEAD

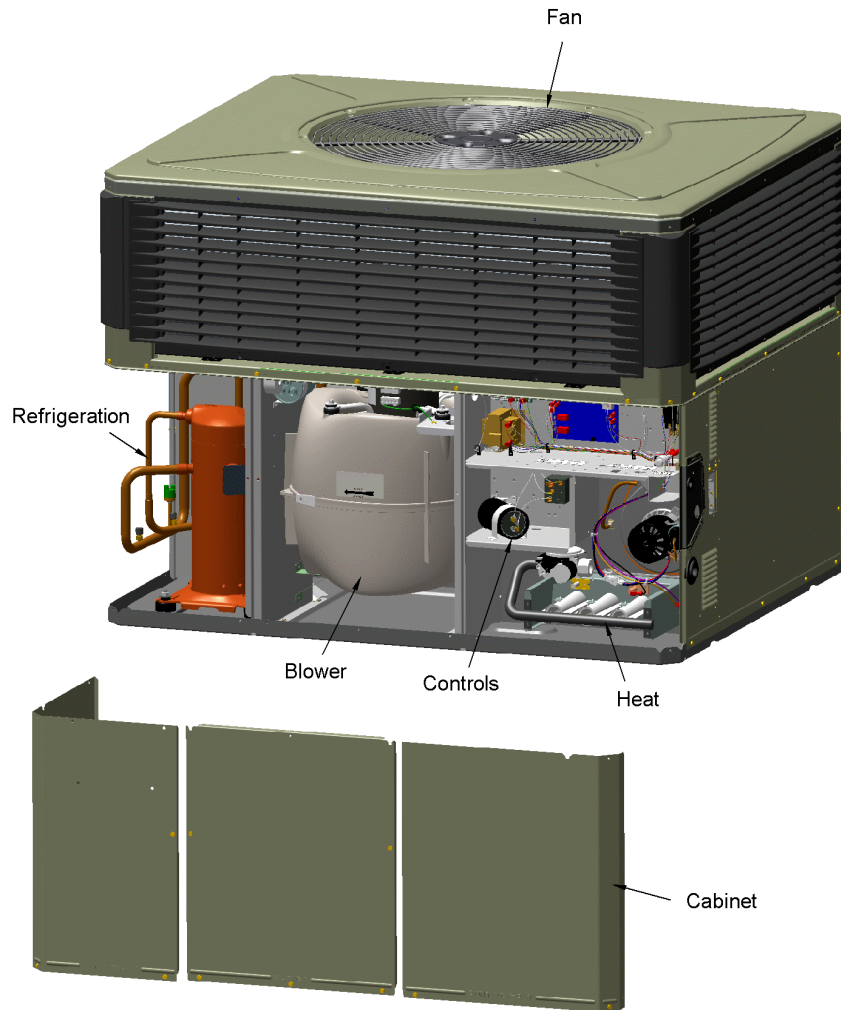
Part No.	Reference No.	Quantity	Description
000008976~P	*		GENERAL ASSEMBLY GRAPHIC

PACKAGED UNITS

75010835

REV.
A

TYPICAL ILLUSTRATION



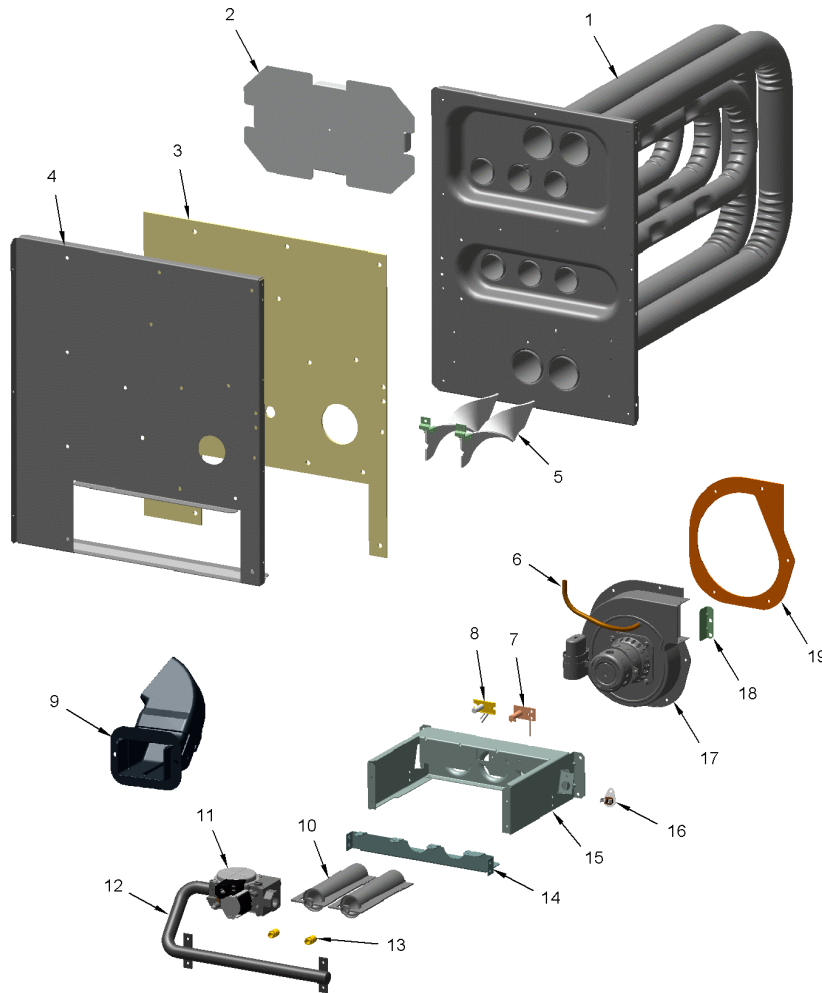
Part No.	Reference No.	Quantity	Description
0000013176~P	*		HEAT PARTS LIST

HEAT

75010755

REV
A

TYPICAL ILLUSTRATION



Part No.	Reference No.	Quantity	Description
EXC02106	*	1	EXCHANGER; HEAT
THT02540	*	1	THERMOSTAT; LIMIT SWITCH, OPEN AT 120F, CLOSE AT 100F
SHD00398	2	1	SHIELD; HEAT, STAINLESS STEEL, 12.77 X 7.32
GKT04063	3	1	GASKET; COLLECTOR BOX, 20.96 X 14.82
BOF01930	4	1	BLOCKOFF; BARRIER-GAS HEAT, 21.16 X 18.30
TRB00121	5a	2	TURBULATOR; AND BRACKET ASSEMBLY
BRK03603	5b	2	BRACKET; TURBULATOR
WEL00848	6a	1	WELL; BULB, TAP, STATIC, 1.0 LENGTH X 0.50 OD X 0.281 OD X 0.125 ID
TUB05375	6b	1	TUBE; CONNECTING PRESSURE SW, 3/16 ID X 9 IN LENGTH
CLP00940	6c	1	CLIP; STATIC, RETAINER, .80 X .56 X .022
SEN00297	7	1	SENSOR; FLAME
IGN00135	8	1	IGNITER; ELECTRODE, 22 INCH LEAD
HOD00519	9	1	HOOD; ASSEMBLY, FLUE
BNR01071	10	3	BURNER; 0.60 ID INSHOT BURNER, 0.036 THK 304 STAINLESS STEEL
VAL09034	11	1	VALVE; GAS, 2 STAGE, 1/2-14 NPT, 24V, 50/60 HZ, "J" SERIES
MFD01335	12	1	MANIFOLD; ASSEMBLY-GAS, INCLUDES (2) ORF01334
ORF01334	13	2	ORIFICE; SPUD, #33, .113 DIA GREEN
RTR00832	14	1	RETAINER; BURNER, 10.53 L
BRK03605	15	1	BRACKET; BURNER
SWT02945	16	1	SWITCH; TEMP, 200 OPEN/CLOSE MANUAL, 25 AMP AT 240V, 125V PILOT DUTY, STAINLESS STEEL
BLW01311	17	1	BLOWER; INDUCER, 208-230/60/1, 2800/1500 RPM, 1/39 HP, 0.25 AMPS, 2 MFD CPT AT 370 VAC, 3 PIN CONNECTOR, INCLUDES GKT04075.
RSR00216	18	1	RESTRICTOR; FLUE OUTLET
GKT04075	19	1	GASKET; INDUCER BLOWER

Part No.	Reference No.	Quantity	Description
000008616~P	*		MODEL NUMBER GRAPHIC

MODEL NUMBER DESCRIPTION	75011470	REV C
PACKAGED UNITS		
<i>Example Model Number:</i> 4 Y C Y 5 0 4 8 A 1 0 9 0 A A 1 - - - 5 - - - 10 - - - 15		
Digit 1 – Refrigerant 4 = R-410A		
Digit 2 – Type Y = Gas Electric W = Heat Pump D = Dual Fuel T = Air Conditioner		
Digit 3 – Model Tier C = Convertible H = Horizontal (only)		
Digit 4 – Model Tier C = Entry Level X = Upgrade Y = Premium Z = Leadership - (2-Stage) A = RunTru Brand		
Digit 5 – Efficiency Tier 3 = 13 SEER 4 = 14 SEER 5 = 15 SEER 6 = 16 SEER		
Digits 6,7,8 – Capacity in 1000's (BTUH) 018 042 024 048 030 060 036		
Digit 9 – Major Design Change		
Digit 10 – Voltage & Phase 1 = 230V 1 Phase 3 = 230V 3 Phase 4 = 460V 3 Phase		
Digit 11,12,13 – Gas Heat Input (MBTU/H) 000 (AC or HP) 075 040 096 064 120		
Digit 14 – Minor Design Change		
Digit 15 – Service Digit - Not Orderable		
1 of 1		

Part No.	Reference No.	Quantity	Description
0000013237~P	*		OPTIONAL ACCESSORIES LIST

Part No.	Reference No.	Quantity	Description
BAYUV101A	*	1	25 WATT UV LIGHT KIT FOR SMALL PACKAGED UNITS
ECN00124	*	1	ECONOMIZER; DOWN DISCHARGE, AND RAIN HOOD (BAYECON103AA)
ECN00126	*	1	ECONOMIZER; HORIZONTAL (BAYECON203AA)
KIT03361	*	1	KIT; LIFTING LUGS-BAYLIFT002B (CTN = 6 PIECES)
KIT06658	*	1	KIT; ENTHALPY CONTROL (BAYENTH001AB)
KIT13551	*	1	KIT; CURB ADAPTER (BAYADAP050AA)
KIT13552	*	1	KIT; CURB ADAPTER (BAYADAP051AA)
KIT13559	*	1	KIT; 12 INCH DUCT SHROUD COVERS HORIZONTAL (BAYCOVR112AA)
KIT13560	*	1	KIT; 18 INCH DUCT SHROUD COVERS HORIZONTAL (BAYCOVR118AA)
KIT13561	*	1	KIT; FULL PERIMETER ROOF MOUNTING CURB (BAYCURB050AA)
KIT13563	*	1	KIT; OUTSIDE AIR, 2 POS DAMPER (BAYDMPR101AA)
KIT13565	*	1	KIT; EXTREME CURB MOUNTING (BAYEXMK001AA)
KIT13567	*	1	KIT; EXTREME CURB MOUNTING (BAYEXMK003AA)
KIT13569	*	1	KIT; LP CONVERSION (BAYLPKT101AA)
KIT13571	*	1	KIT; OUTSIDE AIR, MANUAL DAMPER (BAYOSAH001AA)
KIT13575	*	1	KIT; SQUARE/ROUND DUCT ADAPTER (BAYSQRD001AA)
KIT13640	*	1	KIT; LOW AMBIENT COOLING, HEAD PRESSURE CONTROL (BAYLOAM105AA)
KIT13650	*	1	KIT; UNCASSED COIL ENCLOSURE ASSEMBLY, 22.63 X 17.50 X 21.50, BAYCLE17A1722AA
KIT15004	*	1	KIT; CRANKCASE HEATER, 460V SCROLL COMPRESSORS (BAYCCHT404BA) 6.5-7.5 DIA, 60W, 110L
KIT15096	*	1	KIT; FILTER FRAME (BAYFLTR101BA). USE ONE 20 X 25 FILTER - NOT INCLUDED.
KIT15141	*	1	KIT; ACCESS DOOR, 1-1/2 TO 3 TON MODELS (BAYACCDOR1AA)
KIT15323	*	1	KIT; EXTREME CURB MOUNTING (BAYEXMK002BA)
KIT15324	*	1	KIT; OUTSIDE AIR CONTROL (BAYOSAC001BA)
KIT15325	*	1	KIT; SQUARE/ROUND DUCT ADAPTER (BAYUTIL101BA)
KIT15405	*	1	KIT; ECONOMIZER, HINGED FILTER ACCESS DOOR AND FILTER FRAME (BAYECONCOMB103A)
TMR00140	*	1	TIMER; ANTISHORT CYCLE (BAYASCT001)

OUTDOOR COIL

Parts List Number :0000097639

Model Number :4YCZ6036A4075DB

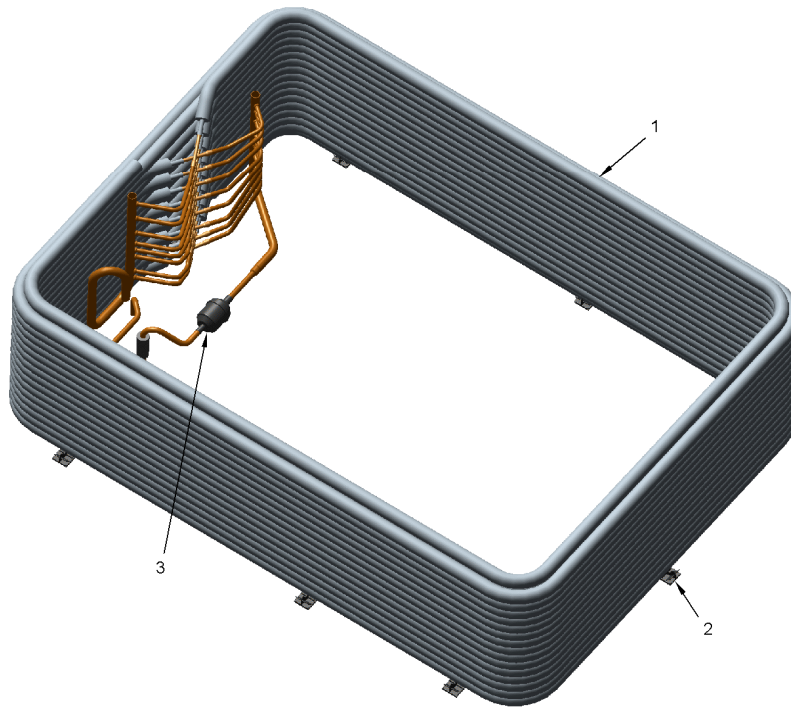
Part No.	Reference No.	Quantity	Description
0000013199~P	*		OUTDOOR COIL PARTS LIST

OUTDOOR COIL

75010751

REV.
A

TYPICAL ILLUSTRATION



Part No.	Reference No.	Quantity	Description
COL20446	1	1	COIL; OUTDOOR, SPINE FIN
SPC00391	2	8	SPACER; OUTDOOR COIL, 2.50 X 1.31. INCLUDES GASKET.
DHY01456	3	1	DRIER; LIQUID LINE; SERVICE FIRST; 5 CU. IN.; DCL054/3S, 1/2 ODF INLET X 3/8 ODF OUTLET; 5.4 TON CAPACITY; APPROVED FOR MINERAL OIL AND POE OIL REFRIG

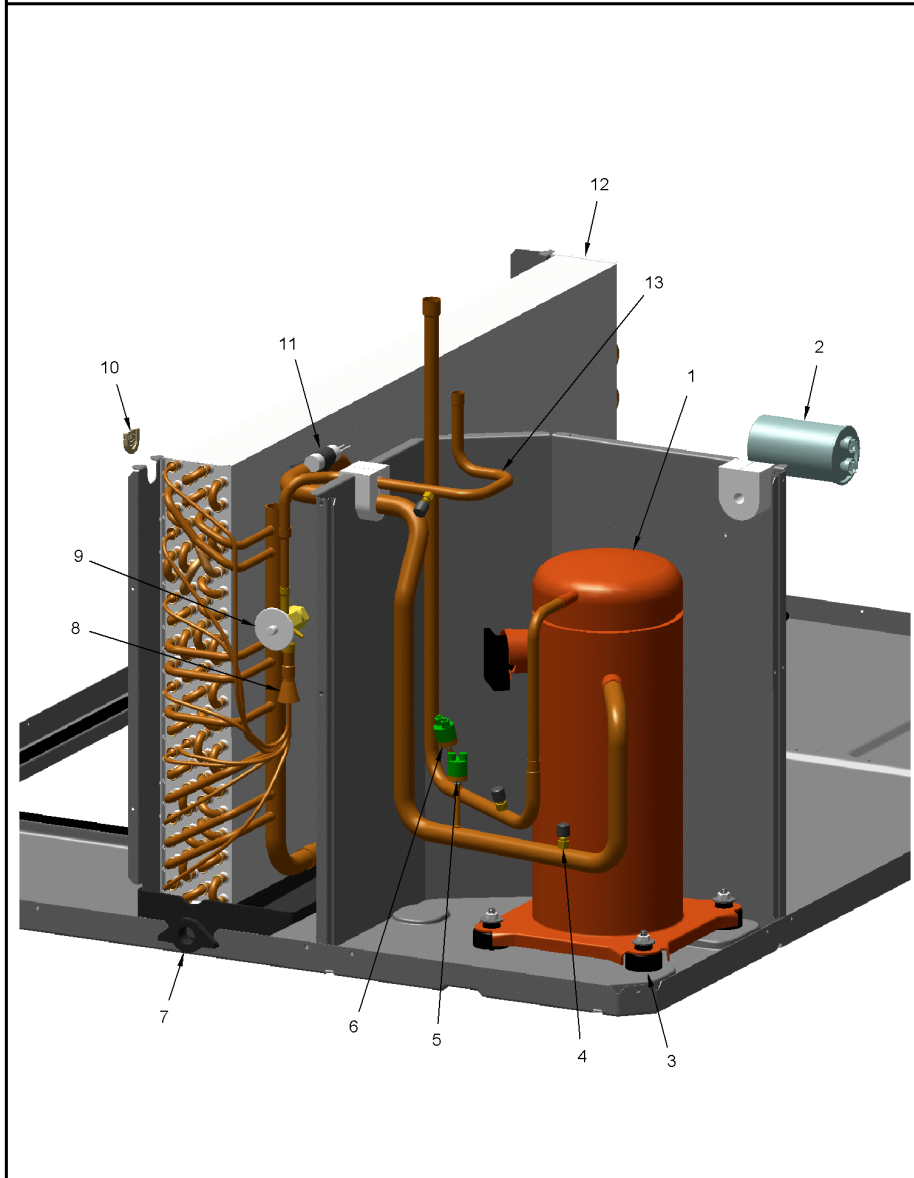
Part No.	Reference No.	Quantity	Description
0000013219~P	*		REFRIGERATION PARTS LIST

REFRIGERATION

75010756

REV.
A

TYPICAL ILLUSTRATION



Part No.	Reference No.	Quantity	Description
CLP00223	*	1	CLIP; BULB
PLU00976	*	1	PLUG; COMPRESSOR SOLENOID, 2-WIRE (WH,WH), 69 IN LENGTH
WIR04494	*	1	WIRE; PLUG, SCROLL COMPRESSOR
THT02851		1	THERMOSTAT; HIGH TEMPERATURE, 240V, SPST, SETTING OPEN AT 234/247F, CLOSE AT 188/212F
COM10845	1	1	COMPRESSOR; SCROLL, ALLIANCE, TXA030C4BTZ, 2.5 TON, 460V/60/3, R-410A, 3/4 SUCTION, 1/2 DISCHARGE, STUB TUBE
CPT00266	2a	1	CAPACITOR; RUN, 5 MFD, 370V, OVAL, W/O RESISTOR
SRP00093	2b	1	STRAP;CAPACITOR
SCR01510	2c	2	SCREW; 10-16 AB HXW 1/2 SN
BLT00809	3a	4	BOLT; CARRIAGE, 5/16-18 X 1-3/4
GKT01820	3b	4	GASKET; 3/4 OD X 7/16 ID X .06 THK
ISR00007	3c	4	ISOLATOR; VIBRATION
NUT00355	3d	4	NUT; HEX, LOCK, 5/16IN.-18
NUT00890	3e	4	NUT; PALLET, 5/16-18 UNC 2B THD.
WAS00638	3f	4	WASHER; FLAT, 5/16 INCH
BOD00114	4a	3	BODY; VALVE, BRASS, 7/16 HEX, 7/16 -20 UNF-2A
CAP00455	4b	3	CAP; HUB, 7/16-20 STRAIGHT
COR00103	4c	3	CORE; VALVE, .79 LENGTH, .206-36 UNS-1 MOD. THD
SWT03738	5	1	SWITCH; LOW PRESSURE, OPEN @ 50 PSIG, CLOSE @ 70 PSIG, 69" BLUE LEADS, BRAZED
SWT03739	6	1	SWITCH; HIGH PRESSURE, OPEN @ 650 PSIG, CLOSE @ 500 PSIG, 74" BK-YL LEADS, BRAZED
PAN02888	7	1	PAN; DRAIN, BLACK PVC, 29.58 X 7.75
VAL08716	8a	1	VALVE; EXPANSION W/ SWEAT FITTINGS, 3 TON, 3/8 IN INLET X 1/2 IN OUTLET, 91/87 PSIG, R410A
TUB11685	8b	1	TUBE; ASSEMBLY, INDOOR DISTRIBUTOR
DST00895	8c	1	DISTRIBUTOR; 5 OUTLETS, 19 ODS, .50 ODM INLET, BRASS
TUB11605	9	1	TUBE; ASSEMBLY, INDOOR FLOW CONTROL, R410A
GRM00103	10	1	GROMMET; SPLIT, COMPRESSOR
COL15202	12	1	COIL; INDOOR, FLAT FIN
TUB13267	13	1	TUBE; LIQUID LINE ASSEMBLY