

General Assembly

75008387

REV  
A

Typical illustration. Unit may not appear exactly as shown.



<b>Part No.</b>	<b>Reference No.</b>	<b>Quantity</b>	<b>Description</b>
75008387_4YCZ6UP5_175244~P	*		4YCZ6UP5 PARTS LIST
75008694#4YCZ6UP5~S	*		BLOWER
75008397#4YCZ6UP5~S	*		CABINET
75008959#4YCZ6UP5~S	*		CONTROLS
75005599#4YCZ6UP5~S	*		FAN
75008400#4YCZ6UP5~S	*		HEAT
75008692#4YCZ6UP5~S	*		MODEL NOMENCLATURE
NGRAPHIC#4YCZ6UP5~S	*		OPTIONAL FIELD INSTALLED ACCESSORIES
75008392#4YCZ6UP5~S	*		REFRIGERATION

General Assembly

75008387

REV  
A

Typical illustration. Unit may not appear exactly as shown.

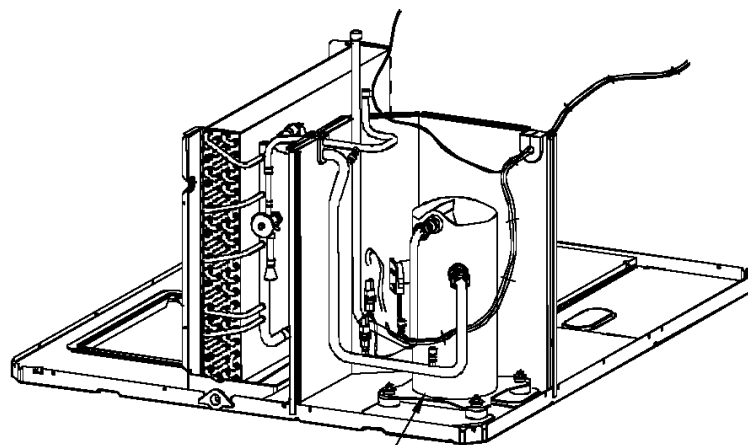
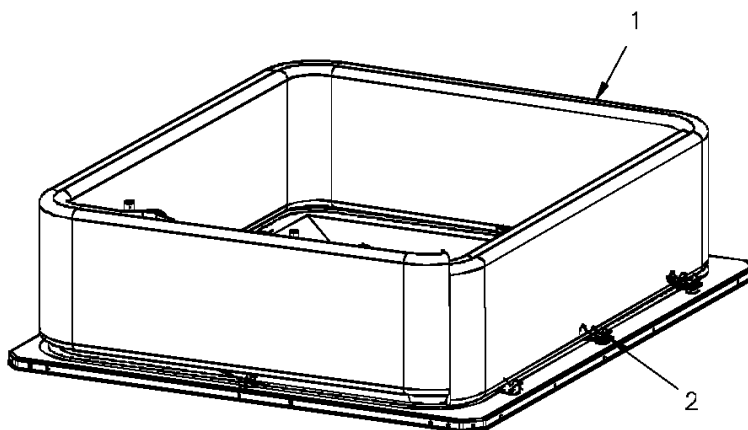


Refrigeration

75008392

REV  
A

Typical illustration. Unit may not appear exactly as shown.



3

Enlarged View

Parts List Number :75008387#4YCZ6UP5

Model Number :4YCZ6036A3096CB

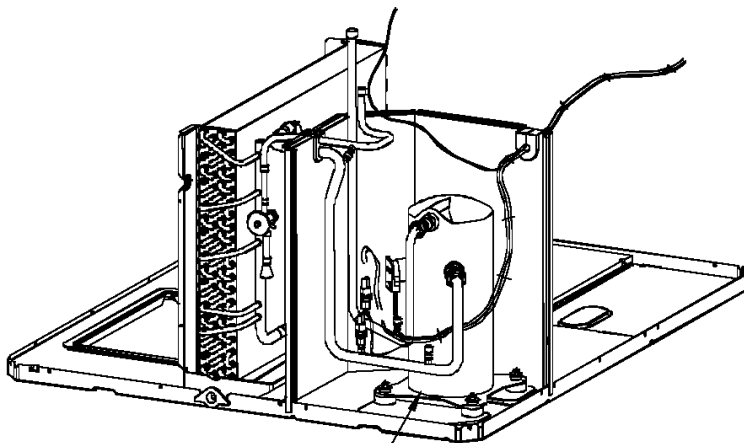
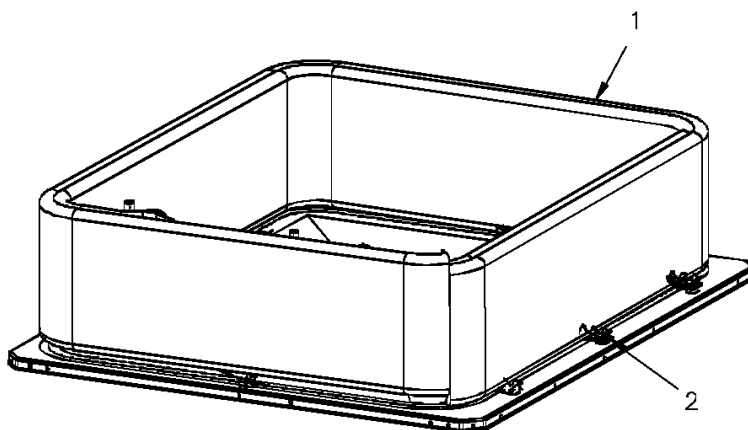
<b>Part No.</b>	<b>Reference No.</b>	<b>Quantity</b>	<b>Description</b>
75009731#4YCZ6UP5~S	*		ENLARGED VIEW
75008392_4YCZ6UP5_203279~P	*		REFRIGERATION PARTS LIST

Refrigeration

75008392

REV  
A

Typical illustration. Unit may not appear exactly as shown.



3

Enlarged View

## REFRIGERATION PARTS LIST

Parts List Number :75008387#4YCZ6UP5

Model Number :4YCZ6036A3096CB

<b>Part No.</b>	<b>Reference No.</b>	<b>Quantity</b>	<b>Description</b>
COL20446	1	1	COIL; OUTDOOR, SPINE FIN
SPC00391	2	8	SPACER; OUTDOOR COIL, 2.50 X 1.31. INCLUDES GASKET.

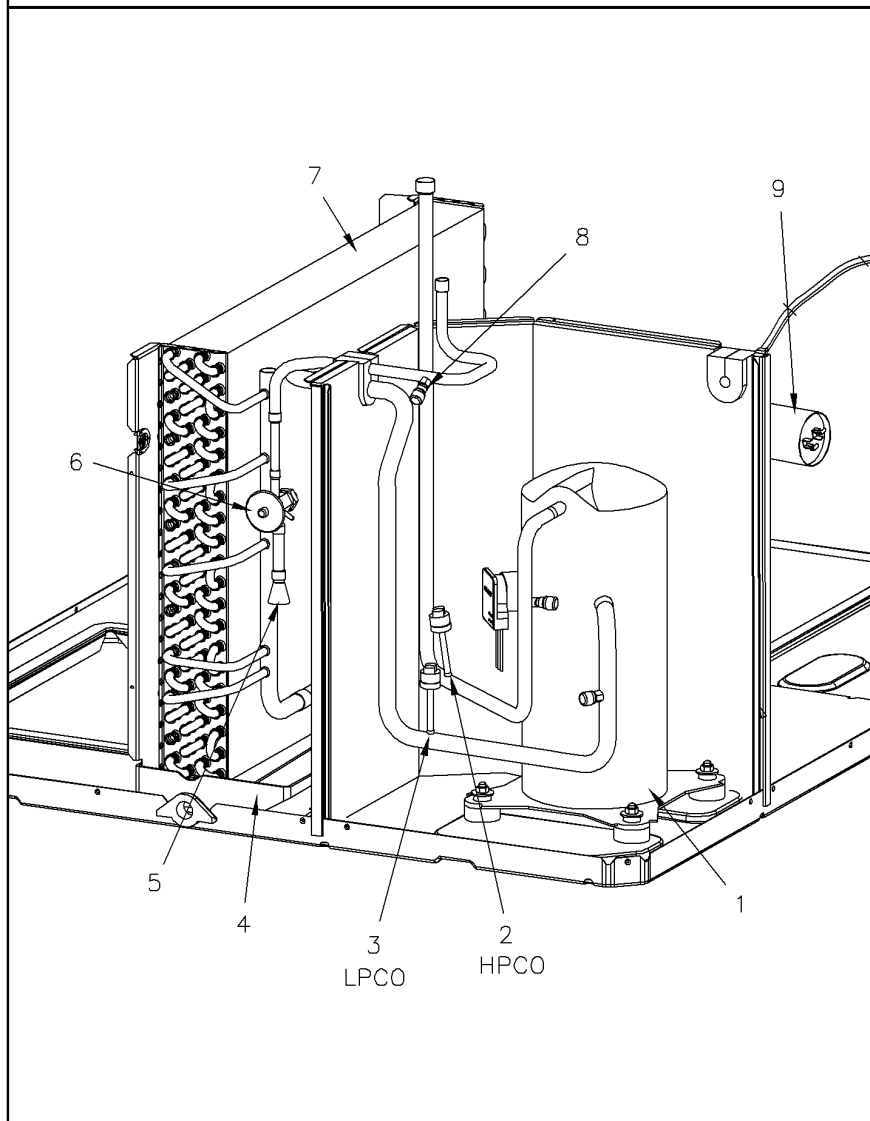
Refrigeration

75009731

REV  
A

enlarged view

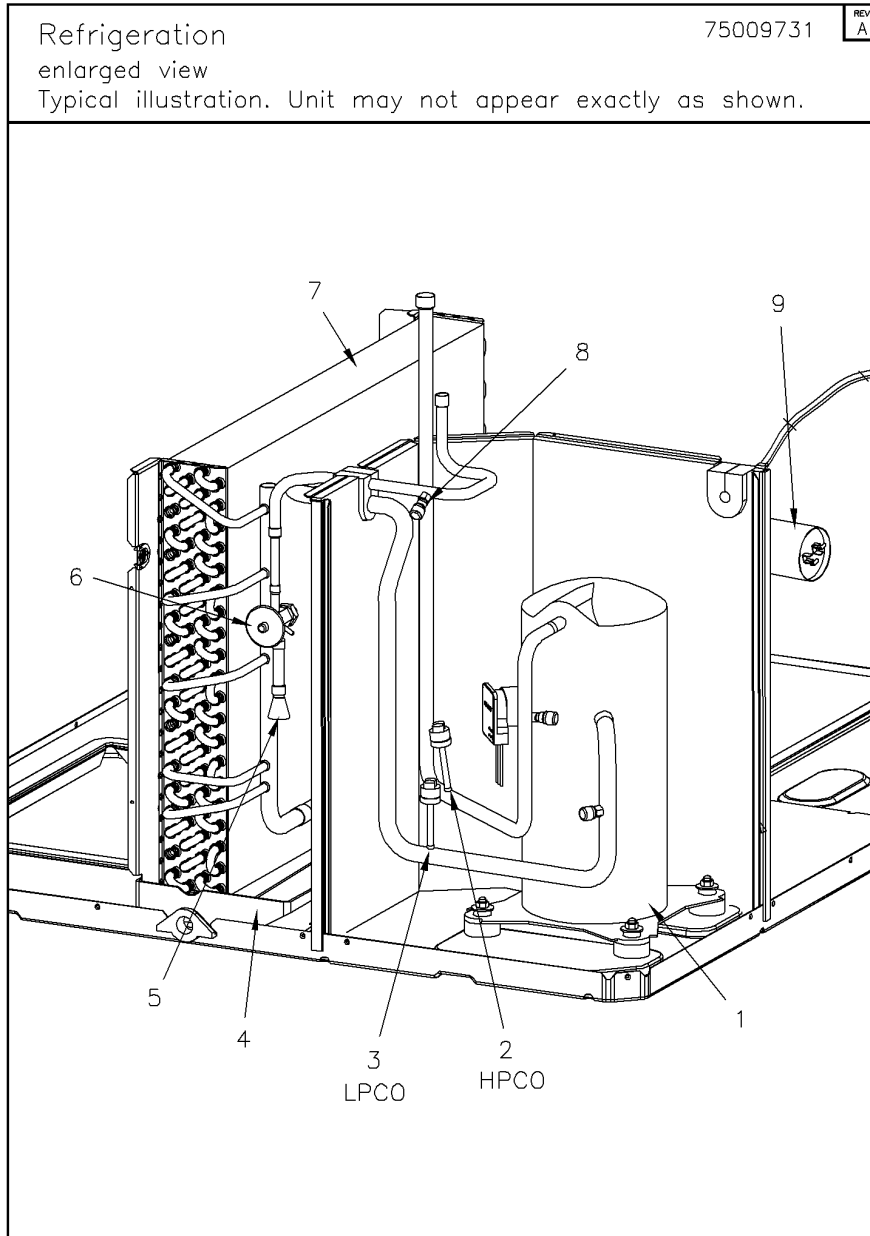
Typical illustration. Unit may not appear exactly as shown.



Parts List Number :75008387#4YCZ6UP5

Model Number :4YCZ6036A3096CB

Part No.	Reference No.	Quantity	Description
75009731_4YCZ6UP5_203280~P	*		ENLARGED VIEW PARTS LIST



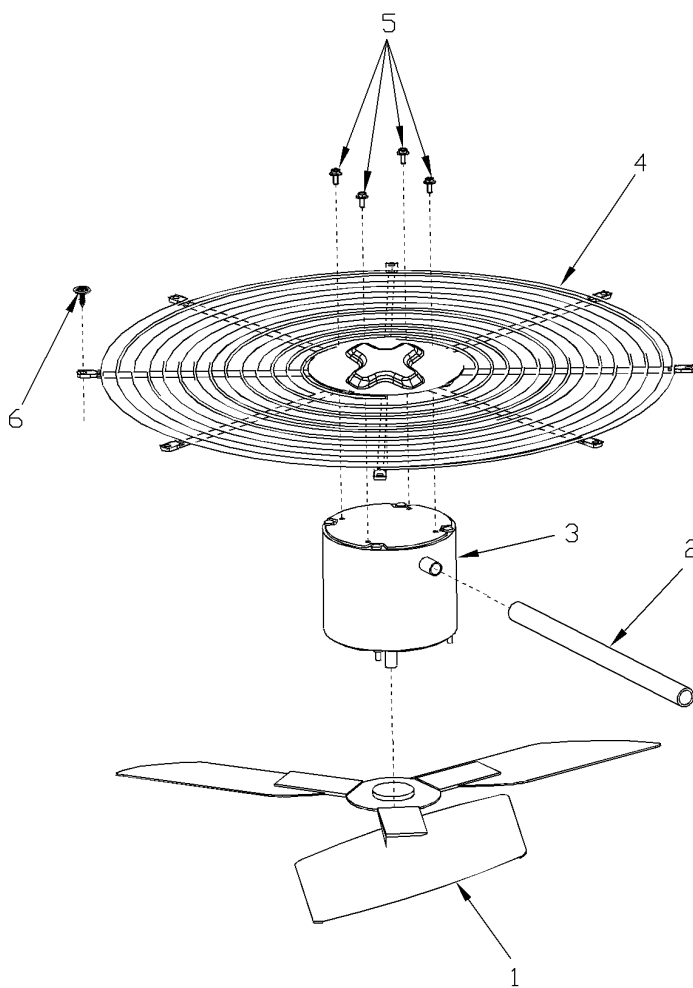
Part No.	Reference No.	Quantity	Description
BLT00809	*	4	BOLT; CARRIAGE, 5/16-18 X 1-3/4
BOD00114	*	3	BODY; VALVE, BRASS, 7/16 HEX, 7/16 -20 UNF-2A
CLP00223	*	1	CLIP; BULB
DHY01456	*	1	DRIER; LIQUID LINE; SERVICE FIRST; 5 CU. IN.; DCL054/3S, 1/2 ODF INLET X 3/8 ODF OUTLET; 5.4 TON CAPACITY; APPROVED FOR MINERAL OIL AND POE OIL REFRIG
ISR00007	*	4	ISOLATOR; VIBRATION
NUT00355	*	4	NUT; HEX, LOCK, 5/16IN.-18
NUT00890	*	4	NUT; PALLET, 5/16-18 UNC 2B THD.
PLU00976	*	1	PLUG; COMPRESSOR SOLENOID, 2-WIRE (WH,WH), 69 IN LENGTH
WAS00638	*	4	WASHER; FLAT, 5/16 INCH
WIR04494	*	1	WIRE; PLUG, SCROLL COMPRESSOR
COM10844	1	1	COMPRESSOR; SCROLL, ALLIANCE, TXA030C3BTZ, 2.5 TON, 200V-230V/60/3, R-410A, 3/4 SUCTION, 1/2 DISCHARGE, STUB TUBE
SWT03739	2	1	SWITCH; HIGH PRESSURE, OPEN @ 650 PSIG, CLOSE @ 500 PSIG, 74" BK-YL LEADS, BRAZED
SWT03738	3	1	SWITCH; LOW PRESSURE, OPEN @ 50 PSIG, CLOSE @ 70 PSIG, 69" BLUE LEADS, BRAZED
PAN02888	4	1	PAN; DRAIN, BLACK PVC, 29.58 X 7.75
DST00895	5	1	DISTRIBUTOR; 5 OUTLETS, 19 ODS, .50 ODM INLET, BRASS
TUB11685	5	1	TUBE; ASSEMBLY, INDOOR DISTRIBUTOR
TUB11605	6	1	TUBE; ASSEMBLY, INDOOR FLOW CONTROL, R410A
VAL08716	6	1	VALVE; EXPANSION W/ SWEAT FITTINGS, 3 TON, 3/8 IN INLET X 1/2 IN OUTLET, 91/87 PSIG, R410A
COL15202	7	1	COIL; INDOOR, FLAT FIN
CAP00455	8	3	CAP; HUB, 7/16-20 STRAIGHT
COR00103	8	3	CORE; VALVE, .79 LENGTH, .206-36 UNS-1 MOD. THD
CPT00266	9	1	CAPACITOR; RUN, 5 MFD, 370V, OVAL, W/O RESISTOR

FAN

75005599

REV  
A

Typical Illustration. Unit may not appear exactly as shown.



Parts List Number :75008387#4YCZ6UP5

Model Number :4YCZ6036A3096CB

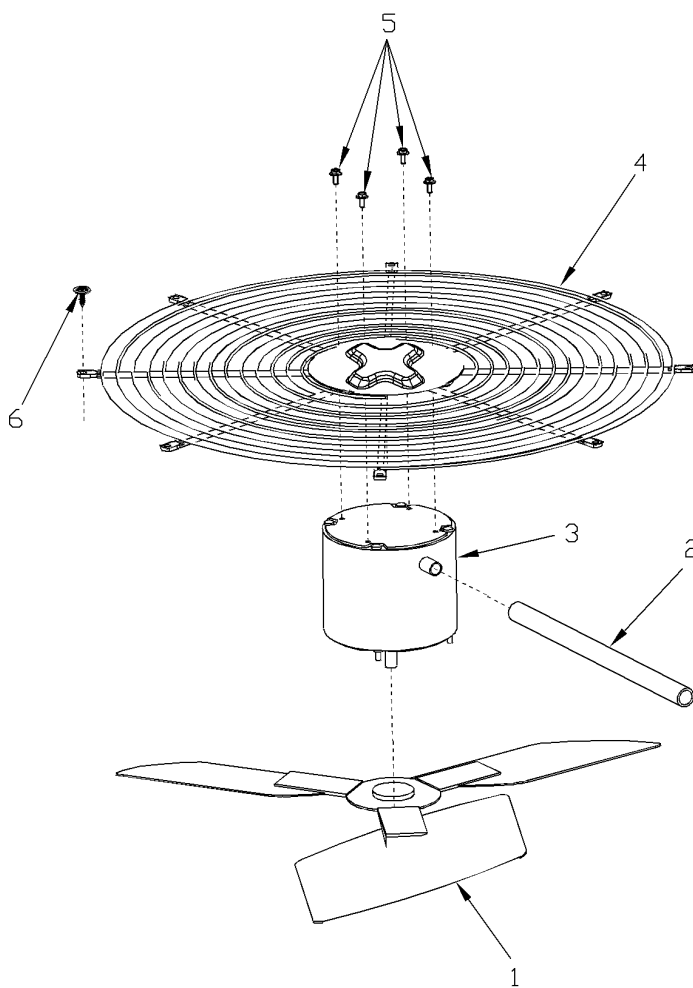
Part No.	Reference No.	Quantity	Description
75005599_4YCZ6UP5_203278~P	*		FAN PARTS LIST

FAN

75005599

REV  
A

Typical Illustration. Unit may not appear exactly as shown.



Parts List Number :75008387#4Y CZ6UP5

Model Number :4Y CZ6036A3096CB

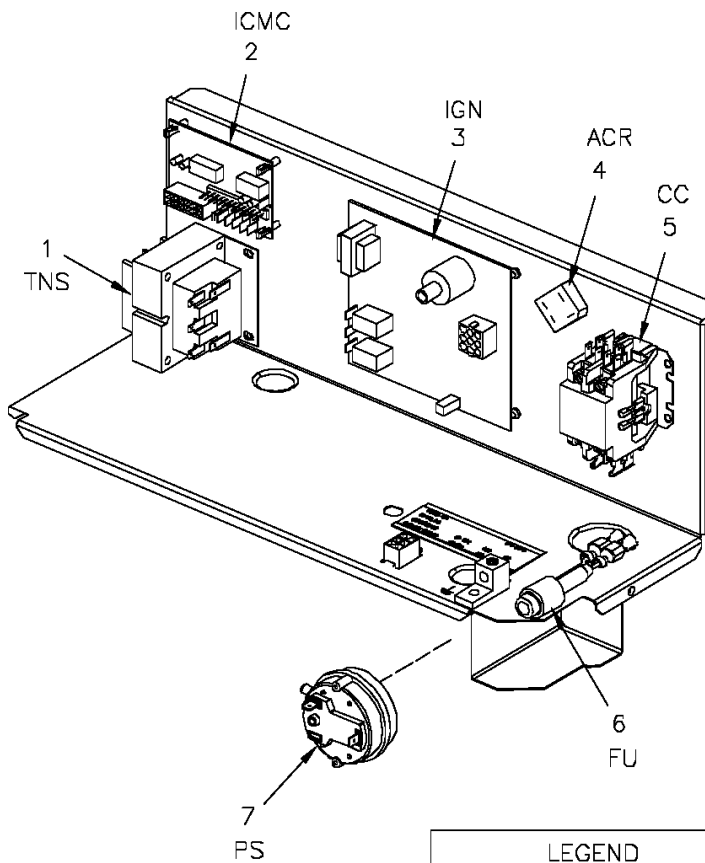
Part No.	Reference No.	Quantity	Description
FAN03983	1	1	FAN; SWEPT BLADE, 2 BLADE, ALUMINUM, 23.4 IN DIA, 30 DEGREES PITCH, .50 IN BORE, CCW, 1 SET SCREW-STEEL
GRD01633	2	1	GUARD; TROUGH-LEAD
MOT13827	3	1	MOTOR; OUTDOOR, 1/6 HP, 200-230/60/1, 830 RPM, TYPE PSC, CCW, SLEEVE BEARINGS, 5 MFD CPT AT 370V
GRL01529	4	1	GRILL; OUTDOOR FAN, 26.0 IN MOUNTING DIA
SCR02086	5	4	SCREW; 10-32 TR-3 HW 3/8 S

Controls

75008959

REV  
A

Typical illustration. Unit may not appear exactly as shown.



LEGEND

ACR	Rectifier Bridge
CC	Compressor Motor Coil
FU	Fuse
ICMC	Integrated Commutated Motor Control
IGN	Ignition Control Module
PS	Pressure Switch
TNS	Transformer

CONTROLS

Parts List Number :75008387#4YCZ6UP5

Model Number :4YCZ6036A3096CB

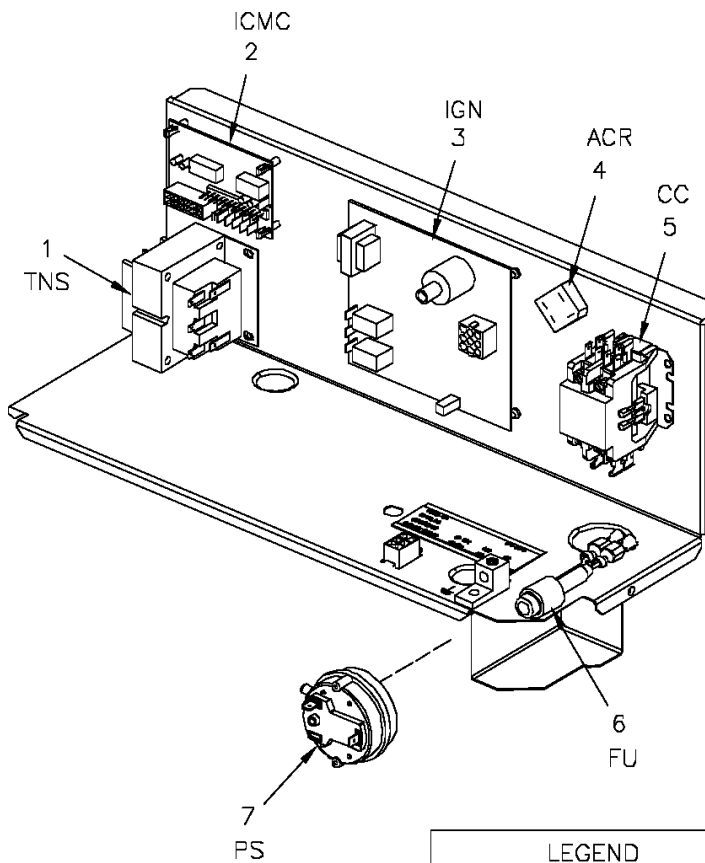
Part No.	Reference No.	Quantity	Description
75008959_4YCZ6UP5_175265~P	*		CONTROLS PARTS LIST

Controls

75008959

REV  
A

Typical illustration. Unit may not appear exactly as shown.



LEGEND	
ACR	Rectifier Bridge
CC	Compressor Motor Coil
FU	Fuse
ICMC	Integrated Commutated Motor Control
IGN	Ignition Control Module
PS	Pressure Switch
TNS	Transformer

Parts List Number :75008387#4Y CZ6UP5

Model Number :4Y CZ6036A3096CB

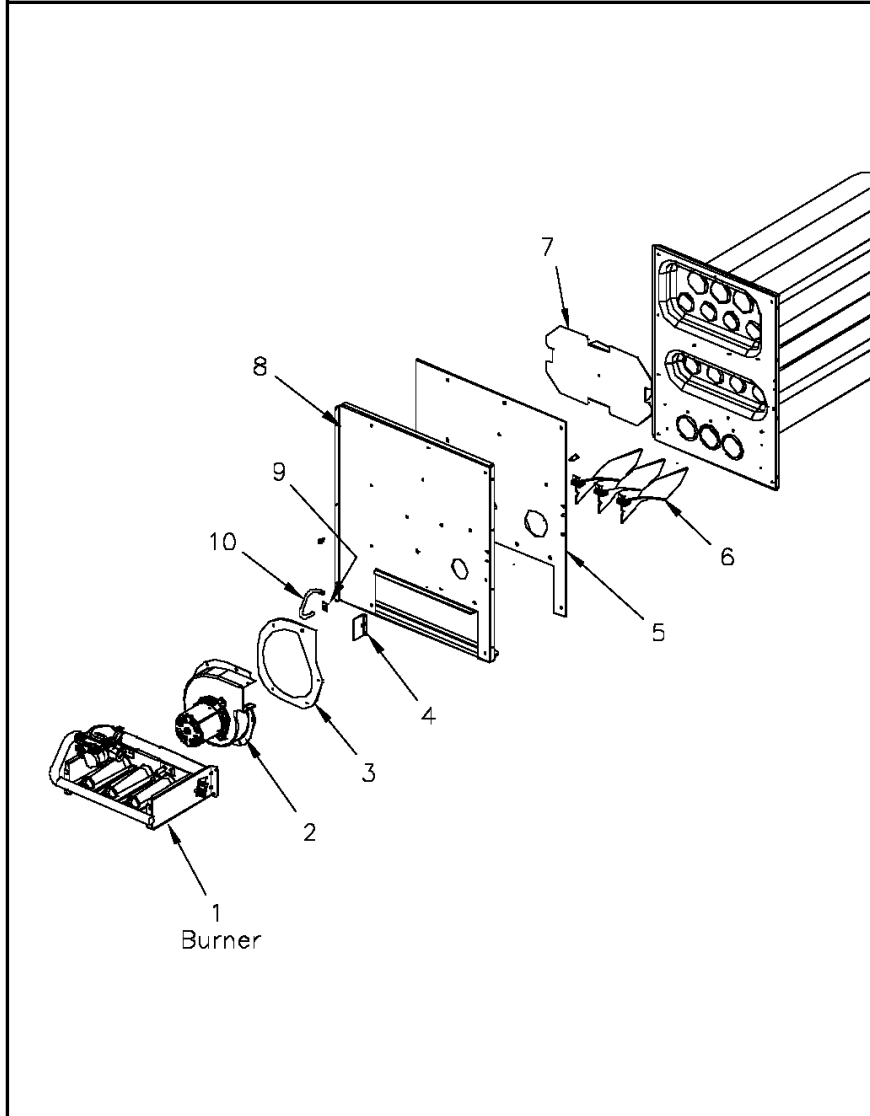
Part No.	Reference No.	Quantity	Description
LUG00014	*	1	LUG, GROUND
WIR05397	*	1	WIRE; HARNESS, CONTROLS. INCLUDES HIGH AND LOW VOLTAGE HARNESSES
TRR01558	1	1	TRANSFORMER; 75VA, 200/230V PRI, 24V SEC, QUICK CONNECTS
CNT03600	2	1	CONTROL; ICM FAN, PWB, 16 PIN
CNT05135	3	1	CONTROL; DUAL STAGE, DIRECT SPARK IGNITION MODULE
RTF00058	4	1	RECTIFIER; BRIDGE
CTR01333	5	1	CONTACTOR; 2 POLE, NO, 40 FLA AT 240V, 50/60 HZ, 50 RES AMPS, 24V COIL, 40 FLA AT 277/480/600V
FUS01776	6	1	FUSE; 3.2 AMP, WITH HOLDER AND QUICK CONNECTS
CNT05641	7	1	CONTROL; AIR PRESSURE, SPST, 28VA PILOT DUTY AT 24 VAC, 125VA PILOT DUTY AT 125VAC, SNAP ACTING CONTACTS, OPERATING TEMP RANGE: -40 TO 190F

Heat

75008400

REV  
A

Typical illustration. Unit may not appear exactly as shown.



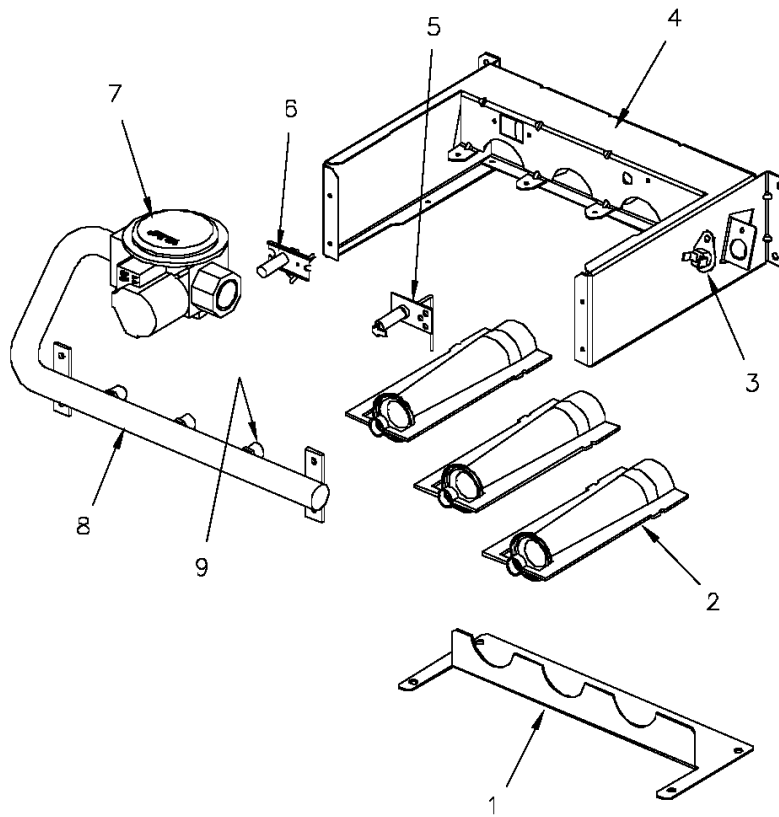
<b>Part No.</b>	<b>Reference No.</b>	<b>Quantity</b>	<b>Description</b>
75008704#4YCZ6UP5~S	*		BURNER
75008400_4YCZ6UP5_237797~P	*		HEAT PARTS LIST

Burner

75008704

REV  
A

Typical illustration. Unit may not appear exactly as shown.



Parts List Number :75008387#4YCZ6UP5

Model Number :4YCZ6036A3096CB

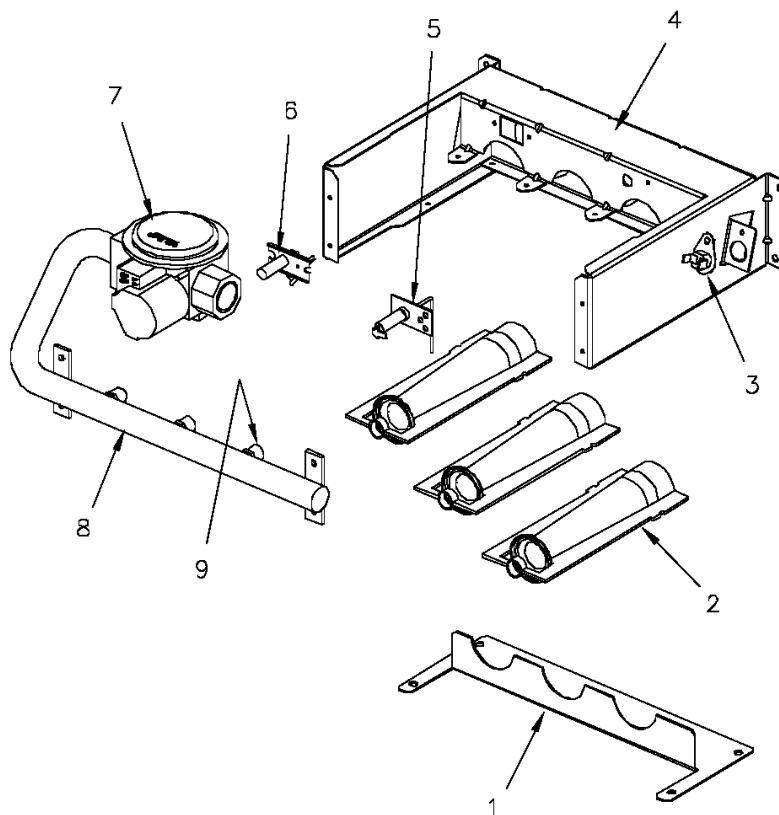
Part No.	Reference No.	Quantity	Description
75008704_4YCZ6UP5_175259~P	*		BURNER PARTS LIST

Burner

75008704

REV  
A

Typical illustration. Unit may not appear exactly as shown.



Parts List Number :75008387#4Y CZ6UP5

Model Number :4Y CZ6036A3096CB

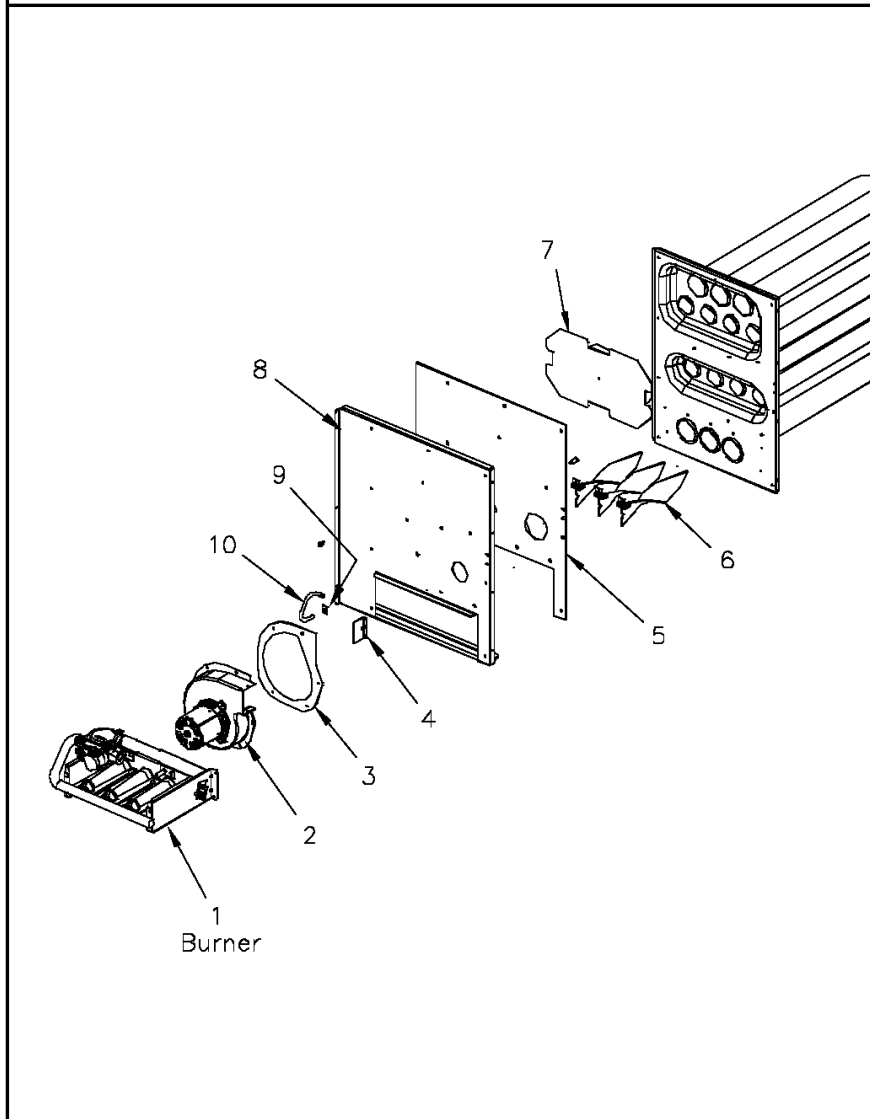
Part No.	Reference No.	Quantity	Description
RTR00833	1	1	RETAINER; BURNER, 10.53 L
BNR01071	2	3	BURNER; 0.60 ID INSHOT BURNER, 0.036 THK 304 STAINLESS STEEL
SWT02945	3	1	SWITCH; TEMP, 200 OPEN/CLOSE MANUAL, 25 AMP AT 240V, 125V PILOT DUTY, STAINLESS STEEL
BRK03606	4	1	BRACKET; BURNER
SEN00297	5	1	SENSOR; FLAME
IGN00135	6	1	IGNITER; ELECTRODE, 22 INCH LEAD
VAL09034	7	1	VALVE; GAS, 2 STAGE, 1/2-14 NPT, 24V, 50/60 HZ, "J" SERIES
MFD01334	8	1	MANIFOLD; ASSEMBLY-GAS, INCLUDES (3) ORF01406
ORF01406	9	3	ORIFICE; GAS, .1040 DIA, # 37 DRILL, SPUD

Heat

75008400

REV  
A

Typical illustration. Unit may not appear exactly as shown.



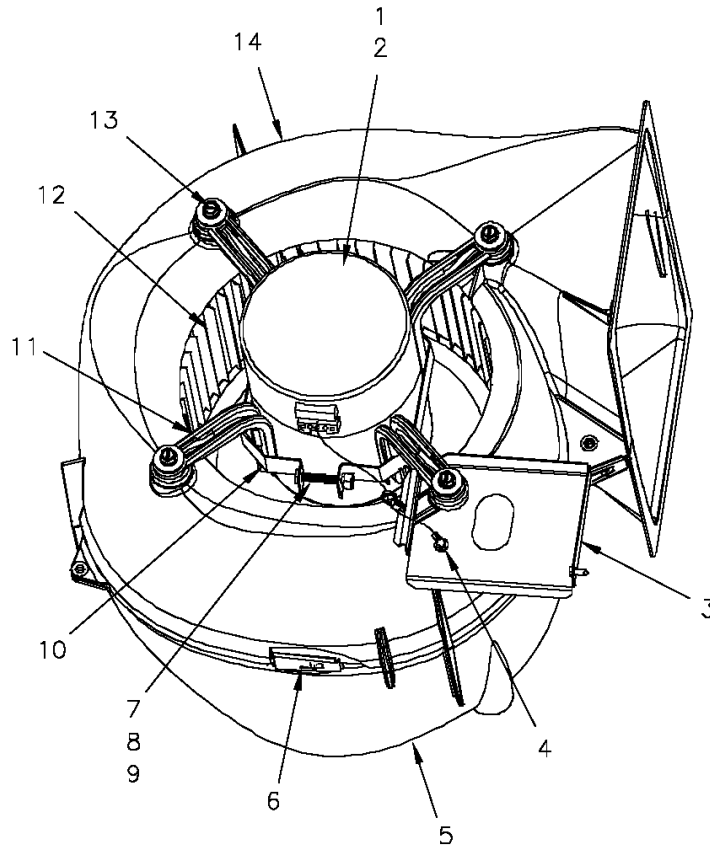
Part No.	Reference No.	Quantity	Description
BRK03603	*	3	BRACKET; TURBULATOR
EXC02105	*	1	EXCHANGER; HEAT
THT03060	*	1	THERMOSTAT; CONTROL, TEMP, SPST, OPEN 160F, CLOSE 110F
WEL00848	*	1	WELL; BULB, TAP, STATIC, 1.0 LENGTH X 0.50 OD X 0.281 OD X 0.125 ID
BLW01311	2	1	BLOWER; INDUCER, 208-230/60/1, 2800/1500 RPM, 1/39 HP, 0.25 AMPS, 2 MFD CPT AT 370 VAC, 3 PIN CONNECTOR, INCLUDES GKT04075.
GKT04075	3	1	GASKET; INDUCER BLOWER
RSR00215	4	1	RESTRICTOR; FLUE OUTLET
GKT04063	5	1	GASKET; COLLECTOR BOX, 20.96 X 14.82
TRB00121	6	3	TURBULATOR; AND BRACKET ASSEMBLY
SHD00398	7	1	SHIELD; HEAT, STAINLESS STEEL, 12.77 X 7.32
BOF01930	8	1	BLOCKOFF; BARRIER-GAS HEAT, 21.16 X 18.30
CLP00940	9	1	CLIP; STATIC, RETAINER, .80 X .56 X .022
TUB05375	10	1	TUBE; CONNECTING PRESSURE SW, 3/16 ID X 9 IN LENGTH

Blower

75008694

REV  
A

Typical illustration. Unit may not appear exactly as shown.



Parts List Number :75008387#4YCZ6UP5

Model Number :4YCZ6036A3096CB

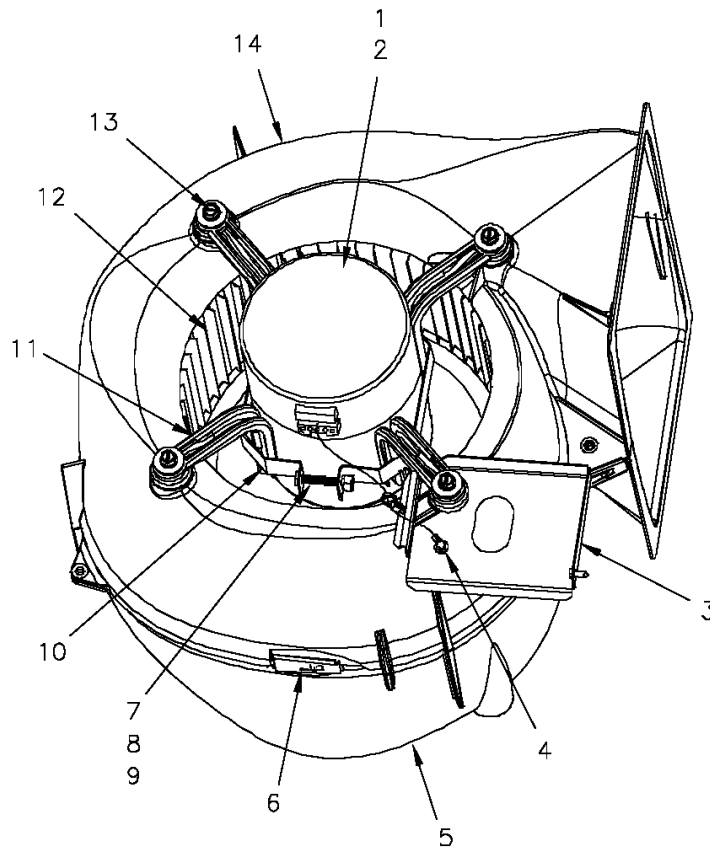
Part No.	Reference No.	Quantity	Description
75008694_4YCZ6UP5_203289~P	*		BLOWER PARTS LIST

Blower

75008694

REV  
A

Typical illustration. Unit may not appear exactly as shown.



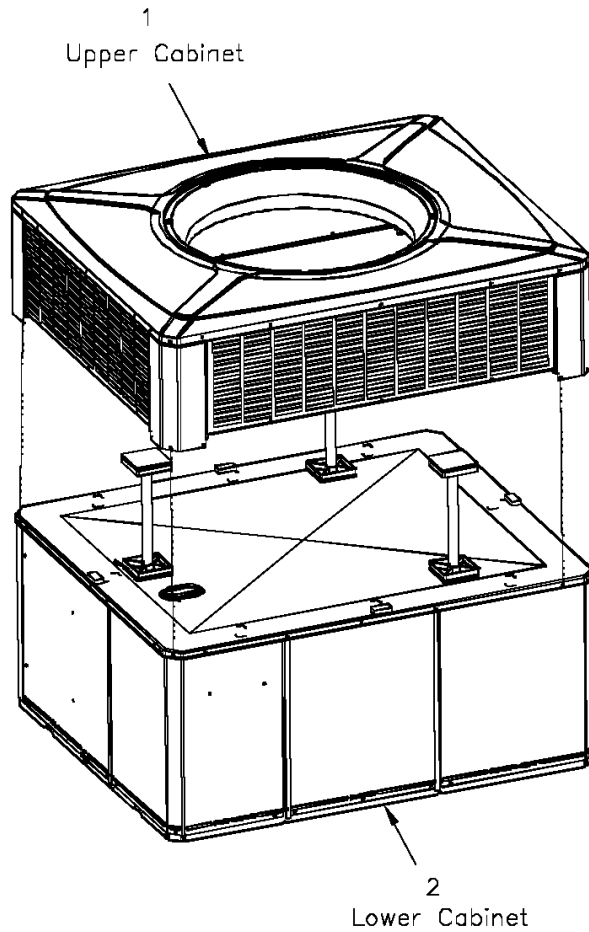
Part No.	Reference No.	Quantity	Description
BLW01053	*	1	BLOWER; ASSEMBLY COMPLETE
MOD01619	1	1	MODULE; ELECTRONIC MOTOR CONTROL, VARIABLE SPEED PROGRAMMED
MOT12860	2	1	MOTOR; ECM VS MOTOR MODULE SET; 1/2 HP; 115/230 VOLTAGE; PROGRAMMED
BRK03542	3	1	BRACKET; BLOWER RETAINER, 4.32 X 3.45
SCR00998	3	1	SCREW; 10-16 B HXW 1/2 S
SCR00968	4	1	SCREW; 10-16 HEX WASHER, TYPE B, THREAD FORMING SCREW, 0.31 THREAD LENGTH, STEEL W/ZINC FINISH
HUS03804	5	1	HOUSING; BLOWER LEFT SIDE WITH 4 MOUNTING HOLES, MOLDED GLASS FIBER POLYESTER, COLOR: NATURAL
CLP01088	6	4	CLIP; CLEAT-BLOWER
SCR01584	7	1	BOLT; 1/4-20 MA HX 1.5 S
SCR00998	8	1	SCREW; 10-16 B HXW 1/2 S
WAS00646	9	1	WASHER; STEEL SPRING LOCK, 1/4 INCH
BND00026	10	1	BAND; MOTOR MOUNT
BRK03396	11	4	BRACKET; ARM-MOTOR
WHL02167	12	1	WHEEL; FAN, 10.62 DIA X 10.68W, .50 BORE, CCW, CONCAVE
SCR02112	13	4	SCREW; ASSEMBLY-MOTOR MOUNT
HUS03805	14	1	HOUSING; BLOWER RIGHT SIDE WITHOUT MOUNTING HOLES, MOLDED GLASS FIBER POLYESTER, COLOR: NATURAL

Cabinet

75008397

REV  
A

Typical illustration. Unit may not appear exactly as shown.



View is determined by facing Appearance Nameplate

Parts List Number :75008387#4YCZ6UP5

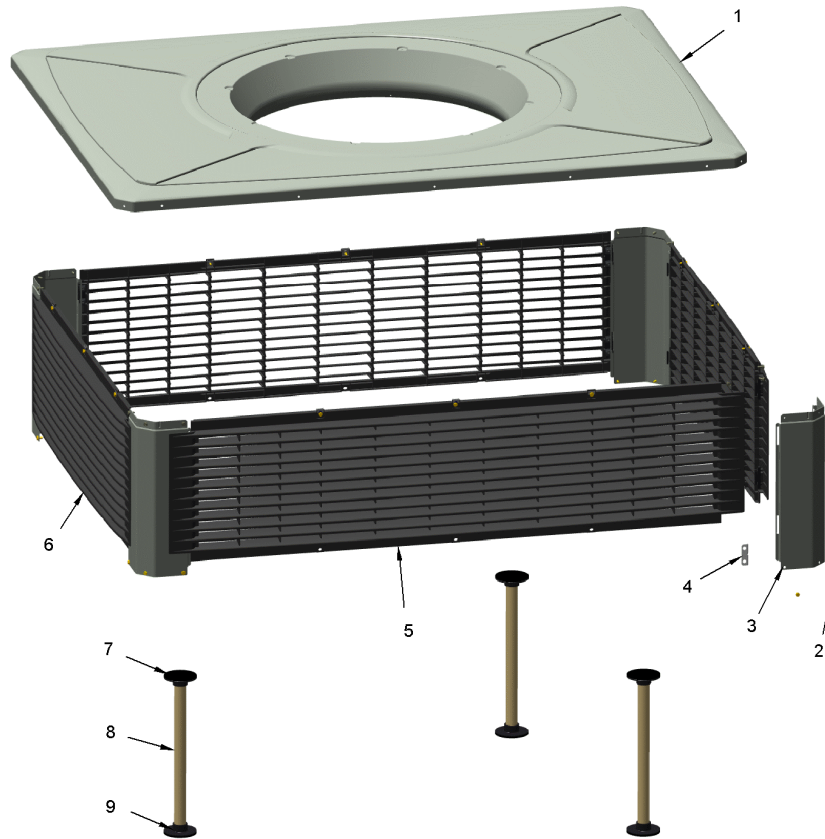
Model Number :4YCZ6036A3096CB

<b>Part No.</b>	<b>Reference No.</b>	<b>Quantity</b>	<b>Description</b>
75008397_4YCZ6UP5_175250~P	*		CABINET PARTS LIST
75008399#4YCZ6UP5~S	*		LOWER CABINET
75013694#4YCZ6UP5~S	*		UPPER CABINET

CABINET  
UPPER-OUTDOOR

75013694

REV  
A



This is a typical illustration. The unit in the field may not appear exactly as shown.

Parts List Number :75008387#4YCZ6UP5

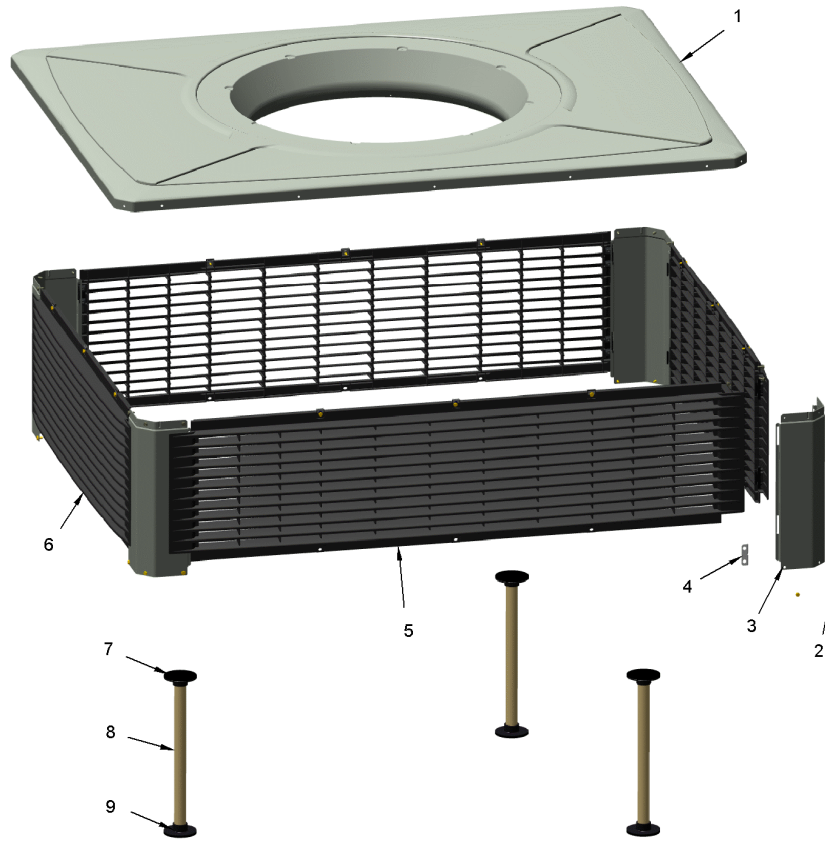
Model Number :4YCZ6036A3096CB

Part No.	Reference No.	Quantity	Description
75013694_4YCZ6UP5_203282~P	*		UPPER CABINET PARTS LIST

CABINET  
UPPER-OUTDOOR

75013694

REV  
A



This is a typical illustration. The unit in the field may not appear exactly as shown.

Parts List Number :75008387#4YCY6UP5

Model Number :4YCY6036A3096CB

<b>Part No.</b>	<b>Reference No.</b>	<b>Quantity</b>	<b>Description</b>
COV03694	1	1	COVER; OUTDOOR, TOP, 48.61 X 41.08
SCR01511	2	12	SCREW; 10-16 B HXW 1/2 S
PNL22002	3	4	PANEL; CORNER POST, 13.84 H
BRK03610	4	16	BRACKET; PLASTIC LOUVER, 2.0 X .63 X .53
PNL23824	5	2	PANEL; PLASTIC LOUVER, 43.40 X 13.40 - INCLUDES SPEED NUTS AND MOUNTING BRACKETS.
PNL23823	6	2	PANEL; PLASTIC LOUVER, 35.86 X 13.40 - INCLUDES SPEED NUTS AND MOUNTING BRACKETS.
SUP05919	7	3	SUPPORT; OUTDOOR COIL, 3.0 DIA, WITH GASKET
TUB12284	8	3	TUBE; SUPPORT, TOP PIPE, .75 DIA, SCHEDULE 40 GREY PVC, 14.46 INCHES
SUP05918	9	3	SUPPORT; OUTDOOR COIL, 3.0 DIA, WITH GASKET

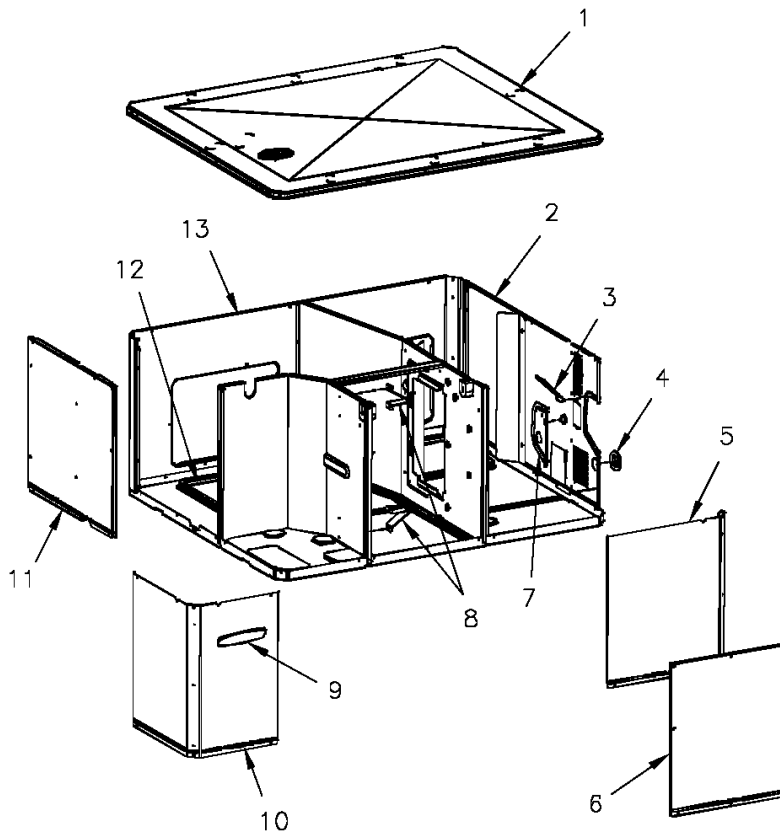
Cabinet

75008399

REV  
A

lower

Typical illustration. Unit may not appear exactly as shown.



View is determined by facing Appearance Nameplate

Parts List Number :75008387#4YCZ6UP5

Model Number :4YCZ6036A3096CB

Part No.	Reference No.	Quantity	Description
75008399_4YCZ6UP5_203281~P	*		LOWER CABINET PARTS LIST

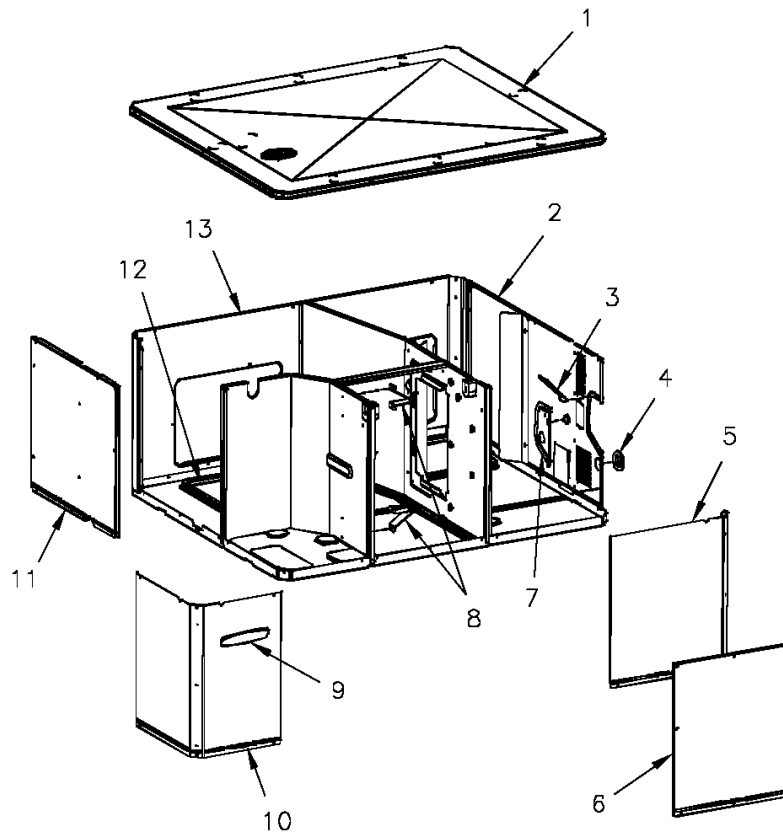
Cabinet

75008399

REV  
A

lower

Typical illustration. Unit may not appear exactly as shown.



View is determined by facing Appearance Nameplate

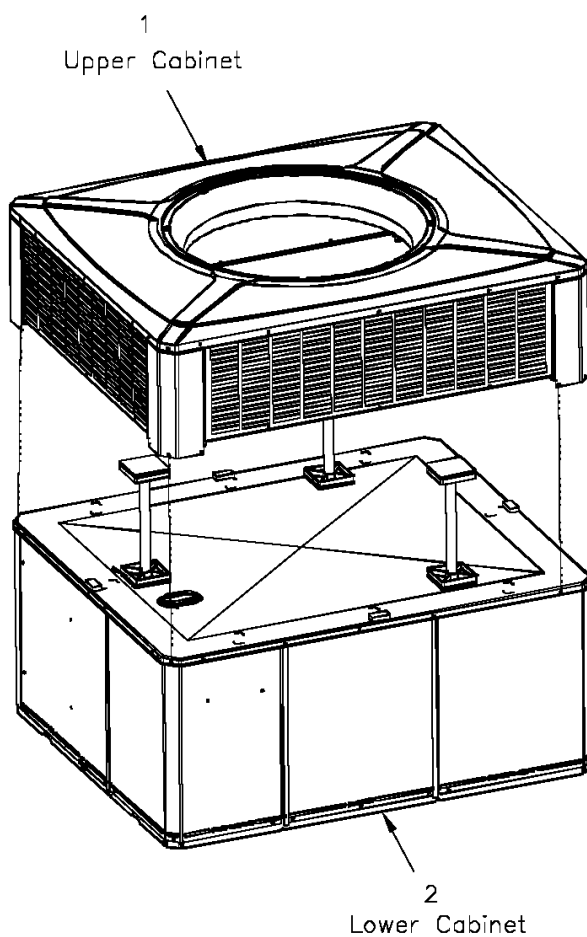
Part No.	Reference No.	Quantity	Description
BAF01392	*	1	BAFFLE; AIR, 20.00 X 3.68
GRM00118	*	1	GROMMET; 3/16 IN ID, NEOPRENE
GRM00129	*	2	GROMMET; SCREW
HOD00519	*	1	HOOD; ASSEMBLY, FLUE
PNL26584	*	1	PANEL; BLOWER BARRIER, 41.05 X 21.15
PNL28755	*	1	PANEL; COMPRESSOR BARRIER, 27.22 W X 21.15 H
SHD00424	*	1	SHIELD; LOUVER, BOTTOM, 6.0 X 4.0
COV03696	1	1	COVER; INDOOR, TOP, 48.61 X 41.08
PNL22038	2	1	PANEL; GAS HEAT ACCESS, 36.00 X 20.91
SHD00397	3	1	SHIELD; LOUVER, TOP, 5.0 X 1.9
BUS00616	4	1	BUSHING; 1.62 DIA
PNL22000	5	1	PANEL; CONTROL/HEAT ACCESS, 17.93 X 20.70
PNL22013	6	1	PANEL; BLOWER ACCESS, 17.63 X 20.70
PNL22042	7	1	PANEL; GAS HEAT, 7.81 X 4.50
BRK03541	8	1	BRACKET; BLOWER SUPPORT, V-SHAPED, 3.13 X 2.75 X 1.50
PLT04416	9	1	PLATE; APPEARANCE NAMEPLATE, TRANE XL16C, 9.0 X 1.82
PNL21998	10	1	PANEL; COMPRESSOR ACCESS, 20.7 X 12.7 & 20.7 X 15.5
PNL22039	11	1	PANEL; INDOOR COIL ACCESS, 22.42 X 20.70
COV03698	12	2	COVER; SUPPLY AND RETURN, 15.88 X 11.88
PNL22197	13	1	PANEL; SUPPLY AND RETURN, 48.41 X 20.88

Cabinet

75008397

REV  
A

Typical illustration. Unit may not appear exactly as shown.



View is determined by facing Appearance Nameplate

Parts List Number :75008387#4YCZ6UP5

Model Number :4YCZ6036A3096CB

Part No.	Reference No.	Quantity	Description
PAI00074	*	1	PAINT; SPRAY, SLATE GREY, FULL GLOSS(88) (SHIPPING UOM 12 OZ HAZ)



Part No.	Reference No.	Quantity	Description
75008692_4YCZ6UP5_175261~P	*		MODEL NOMENCLATURE PARTS LIST



Parts List Number :75008387#4YCZ6UP5

Model Number :4YCZ6036A3096CB

Part No.	Reference No.	Quantity	Description
NGRAPHIC_4YCZ6UP5_237798~ P	*		OPTIONAL FIELD INSTALLED ACCESSORIES PARTS LIST

NO GRAPHIC AVAILABLE

75013702

REV  
A

**NO  
GRAPHIC  
AVAILABLE**

Parts List Number :75008387#4YCYZ6UP5

Model Number :4YCYZ6036A3096CB

Part No.	Reference No.	Quantity	Description
BAYUV101A	*	1	25 WATT UV LIGHT KIT FOR SMALL PACKAGED UNITS
ECN00124	*	1	ECONOMIZER; DOWN DISCHARGE, AND RAIN HOOD (BAYECON103AA)
ECN00126	*	1	ECONOMIZER; HORIZONTAL (BAYECON203AA)
KIT03361	*	1	KIT; LIFTING LUGS-BAYLIFT002B (CTN = 6 PIECES)
KIT06658	*	1	KIT; ENTHALPY CONTROL (BAYENTH001AB)
KIT13551	*	1	KIT; CURB ADAPTER (BAYADAP050AA)
KIT13552	*	1	KIT; CURB ADAPTER (BAYADAP051AA)
KIT13559	*	1	KIT; 12 INCH DUCT SHROUD COVERS HORIZONTAL (BAYCOVR112AA)
KIT13560	*	1	KIT; 18 INCH DUCT SHROUD COVERS HORIZONTAL (BAYCOVR118AA)
KIT13561	*	1	KIT; FULL PERIMETER ROOF MOUNTING CURB (BAYCURB050AA)
KIT13563	*	1	KIT; OUTSIDE AIR, 2 POS DAMPER (BAYDMPR101AA)
KIT13565	*	1	KIT; EXTREME CURB MOUNTING (BAYEXMK001AA)
KIT13567	*	1	KIT; EXTREME CURB MOUNTING (BAYEXMK003AA)
KIT13569	*	1	KIT; LP CONVERSION (BAYLPKT101AA)
KIT13571	*	1	KIT; OUTSIDE AIR, MANUAL DAMPER (BAYOSAH001AA)
KIT13575	*	1	KIT; SQUARE/ROUND DUCT ADAPTER (BAYSQRD001AA)
KIT13640	*	1	KIT; LOW AMBIENT COOLING, HEAD PRESSURE CONTROL (BAYLOAM105AA)
KIT13650	*	1	KIT; UNCASSED COIL ENCLOSURE ASSEMBLY, 22.63 X 17.50 X 21.50, BAYCLE17A1722AA
KIT15096	*	1	KIT; FILTER FRAME (BAYFLTR101BA). USE ONE 20 X 25 FILTER - NOT INCLUDED.
KIT15141	*	1	KIT; ACCESS DOOR, 1-1/2 TO 3 TON MODELS (BAYACCDOR1AA)
KIT15323	*	1	KIT; EXTREME CURB MOUNTING (BAYEXMK002BA)
KIT15324	*	1	KIT; OUTSIDE AIR CONTROL (BAYOSAC001BA)
KIT15325	*	1	KIT; SQUARE/ROUND DUCT ADAPTER (BAYUTIL101BA)
KIT15405	*	1	KIT; ECONOMIZER, HINGED FILTER ACCESS DOOR AND FILTER FRAME (BAYECONCOMB103A)
KIT15752	*	1	KIT; SUMP HEATER, 208/230V, 40W, BELLY BAND STYLE (BAYCCHT302), 74 IN LENGTH, 5.5 INCH DIA
TMR00140	*	1	TIMER; ANTISHORT CYCLE (BAYASCT001)