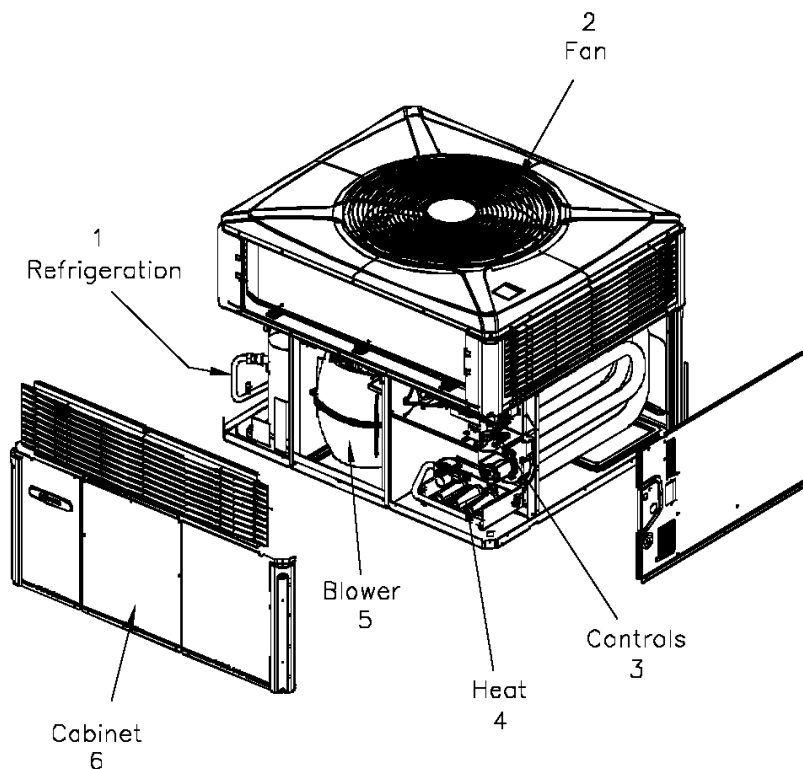


General Assembly

75008387

REV
A

Typical illustration. Unit may not appear exactly as shown.



| Part No. | Reference No. | Quantity | Description |
|----------------------------|----------------------|-----------------|--------------------------------------|
| 75008387_4YCZ6UP5_175244~P | * | | 4YCZ6UP5 PARTS LIST |
| 75008694#4YCZ6UP5~S | * | | BLOWER |
| 75008397#4YCZ6UP5~S | * | | CABINET |
| 75008959#4YCZ6UP5~S | * | | CONTROLS |
| 75005599#4YCZ6UP5~S | * | | FAN |
| 75008400#4YCZ6UP5~S | * | | HEAT |
| 75008692#4YCZ6UP5~S | * | | MODEL NOMENCLATURE |
| NGRAPHIC#4YCZ6UP5~S | * | | OPTIONAL FIELD INSTALLED ACCESSORIES |
| 75008392#4YCZ6UP5~S | * | | REFRIGERATION |

General Assembly

75008387

REV
A

Typical illustration. Unit may not appear exactly as shown.

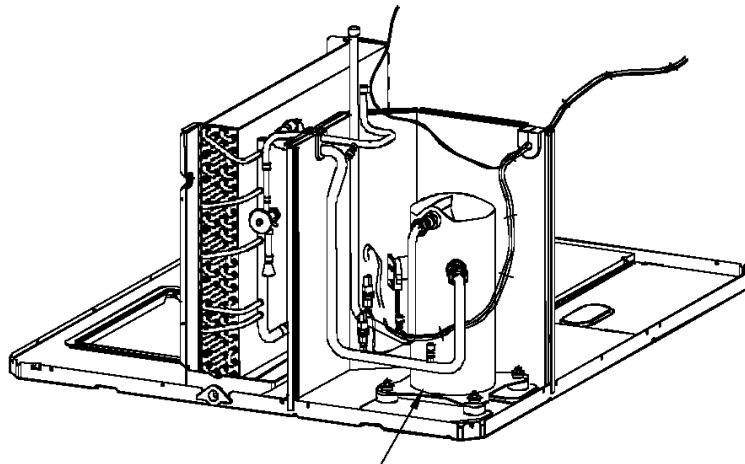
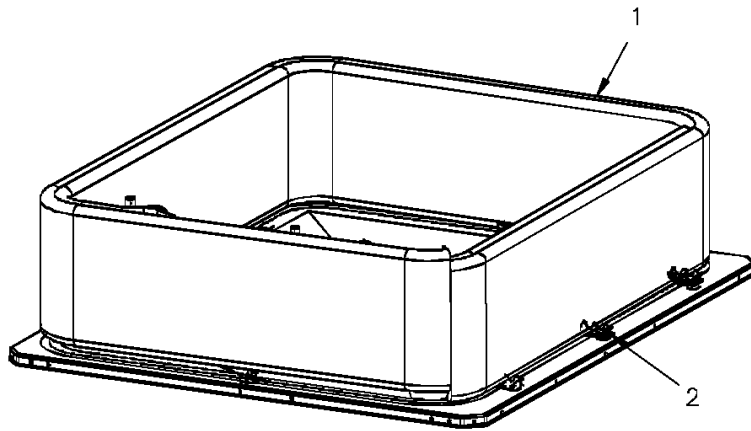


Refrigeration

75008392

REV
A

Typical illustration. Unit may not appear exactly as shown.



3

Enlarged View

Parts List Number :75008387#4YCZ6UP5

Model Number :4YCZ6036A3096CA

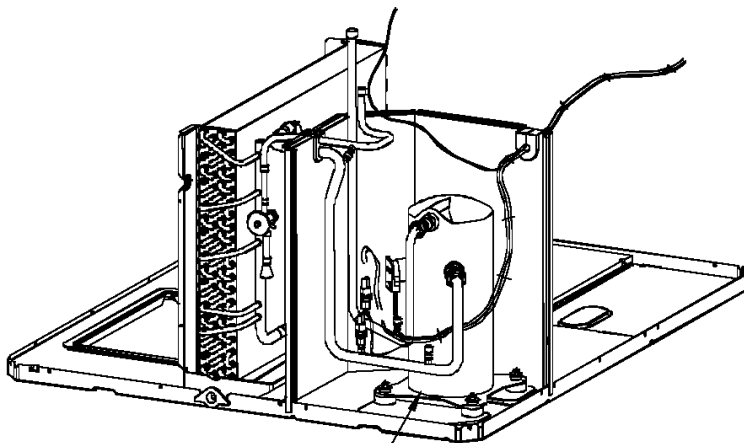
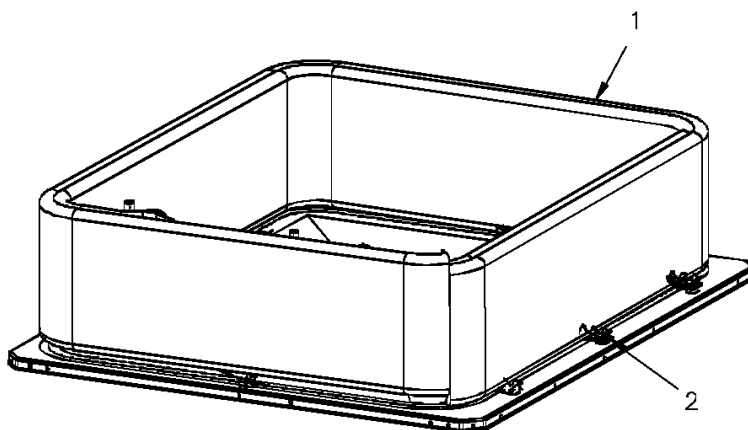
| Part No. | Reference No. | Quantity | Description |
|----------------------------|----------------------|-----------------|--------------------------|
| 75009731#4YCZ6UP5~S | * | | ENLARGED VIEW |
| 75008392_4YCZ6UP5_203279~P | * | | REFRIGERATION PARTS LIST |

Refrigeration

75008392

REV
A

Typical illustration. Unit may not appear exactly as shown.



3

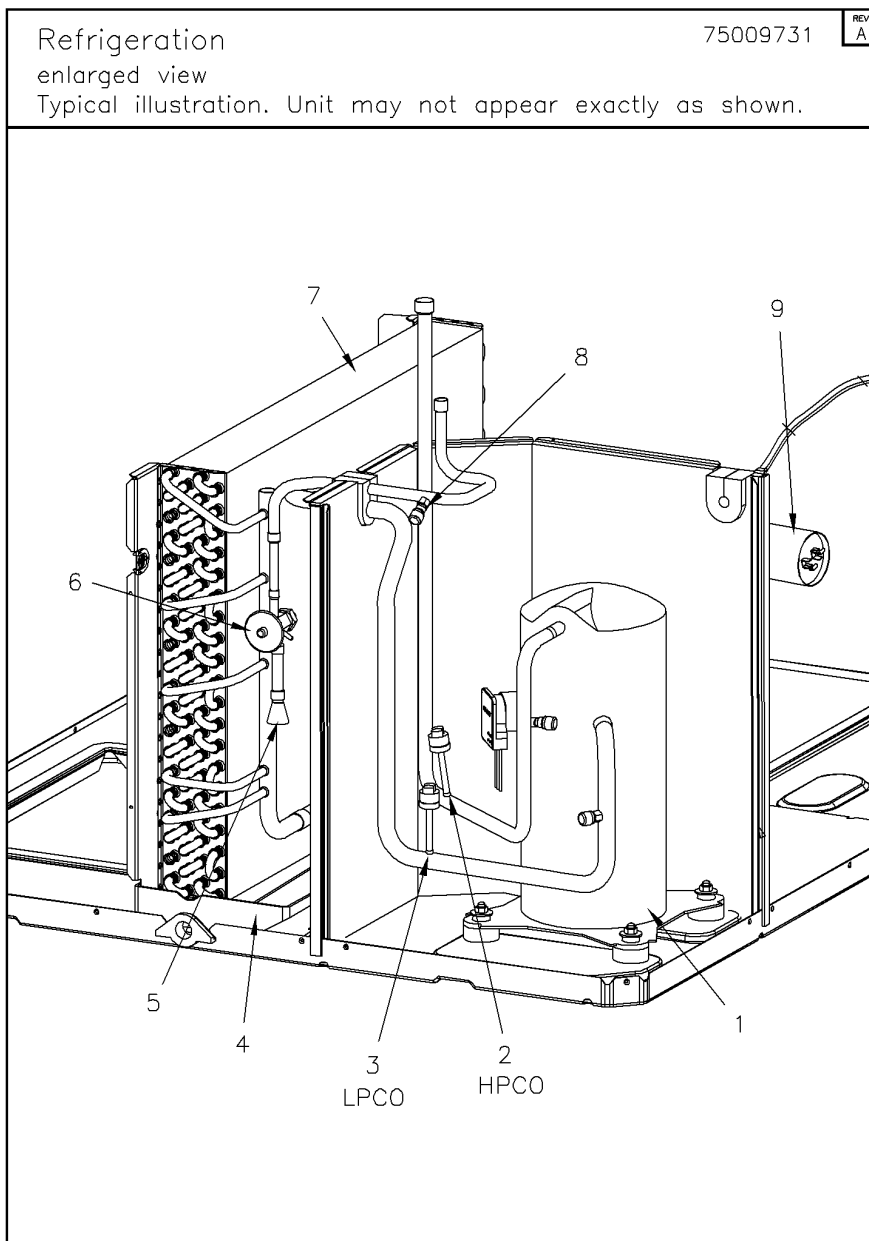
Enlarged View

REFRIGERATION PARTS LIST

Parts List Number :75008387#4YCZ6UP5

Model Number :4YCZ6036A3096CA

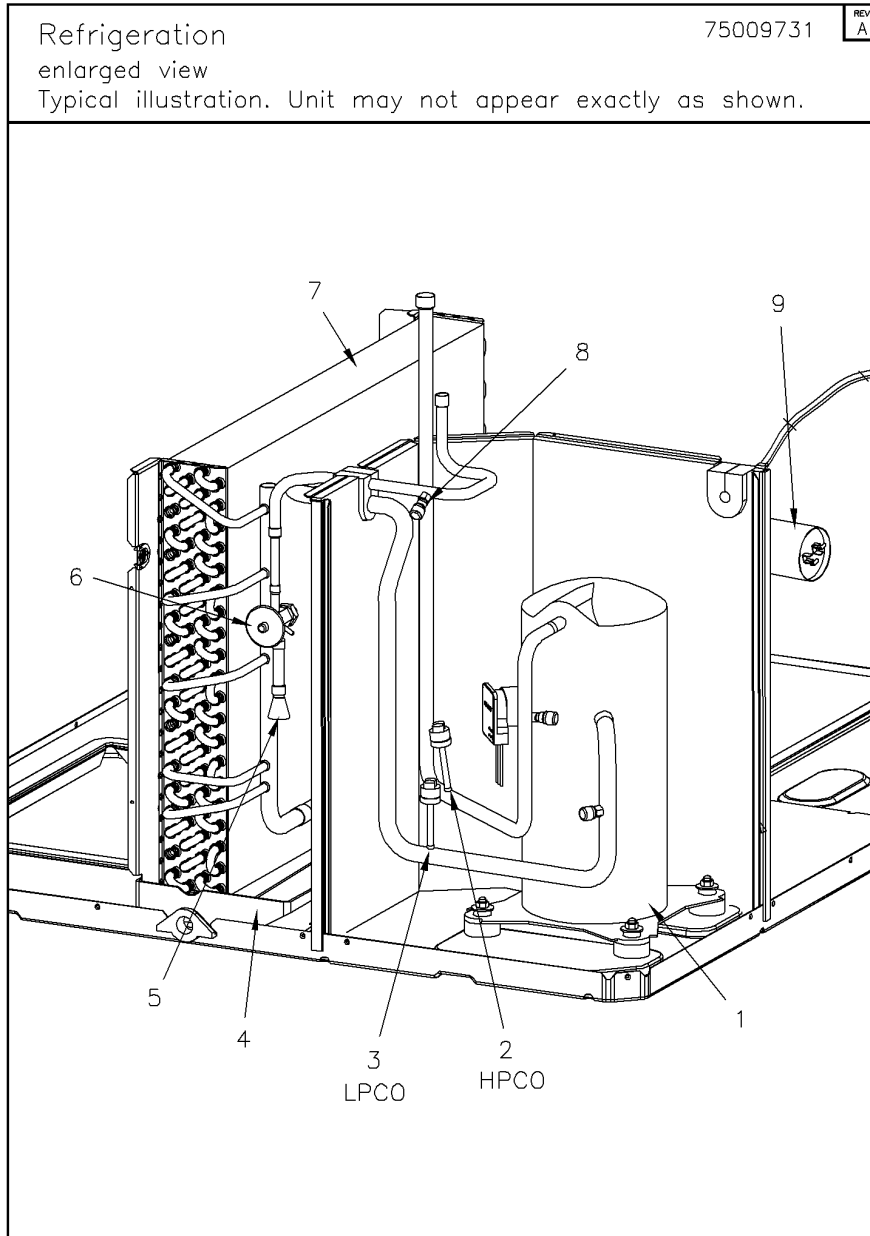
| Part No. | Reference No. | Quantity | Description |
|-----------------|----------------------|-----------------|---|
| COL20446 | 1 | 1 | COIL; OUTDOOR, SPINE FIN |
| SPC00391 | 2 | 8 | SPACER; OUTDOOR COIL, 2.50 X 1.31. INCLUDES GASKET. |



Parts List Number :75008387#4YCZ6UP5

Model Number :4YCZ6036A3096CA

| Part No. | Reference No. | Quantity | Description |
|----------------------------|---------------|----------|--------------------------|
| 75009731_4YCZ6UP5_203280~P | * | | ENLARGED VIEW PARTS LIST |



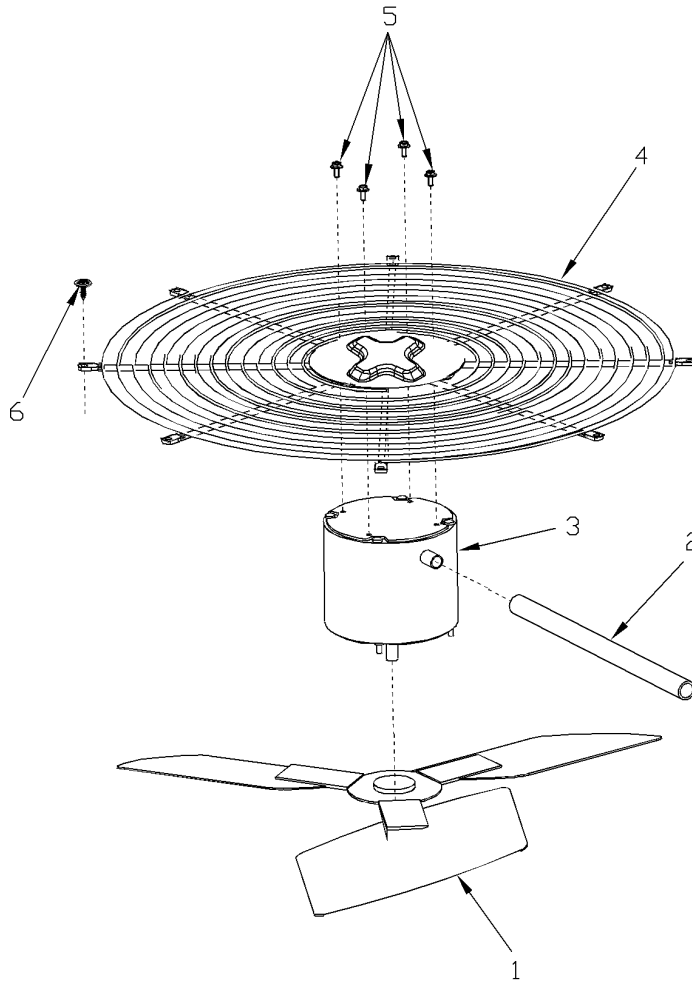
| Part No. | Reference No. | Quantity | Description |
|----------|---------------|----------|--|
| BLT00809 | * | 4 | BOLT; CARRIAGE, 5/16-18 X 1-3/4 |
| BOD00114 | * | 3 | BODY; VALVE, BRASS, 7/16 HEX, 7/16 -20 UNF-2A |
| CLP00223 | * | 1 | CLIP; BULB |
| DHY01456 | * | 1 | DRIER; LIQUID LINE; SERVICE FIRST; 5 CU. IN.; DCL054/3S, 1/2 ODF INLET X 3/8 ODF OUTLET; 5.4 TON CAPACITY; APPROVED FOR MINERAL OIL AND POE OIL REFRIG |
| ISR00007 | * | 4 | ISOLATOR; VIBRATION |
| NUT00355 | * | 4 | NUT; HEX, LOCK, 5/16IN.-18 |
| NUT00890 | * | 4 | NUT; PALLET, 5/16-18 UNC 2B THD. |
| PLU00976 | * | 1 | PLUG; COMPRESSOR SOLENOID, 2-WIRE (WH,WH), 69 IN LENGTH |
| WAS00638 | * | 4 | WASHER; FLAT, 5/16 INCH |
| WIR04494 | * | 1 | WIRE; PLUG, SCROLL COMPRESSOR |
| COM10844 | 1 | 1 | COMPRESSOR; SCROLL, ALLIANCE, TXA030C3BTZ, 2.5 TON, 200V-230V/60/3, R-410A, 3/4 SUCTION, 1/2 DISCHARGE, STUB TUBE |
| SWT03739 | 2 | 1 | SWITCH; HIGH PRESSURE, OPEN @ 650 PSIG, CLOSE @ 500 PSIG, 74" BK-YL LEADS, BRAZED |
| SWT03738 | 3 | 1 | SWITCH; LOW PRESSURE, OPEN @ 50 PSIG, CLOSE @ 70 PSIG, 69" BLUE LEADS, BRAZED |
| PAN02888 | 4 | 1 | PAN; DRAIN, BLACK PVC, 29.58 X 7.75 |
| DST00895 | 5 | 1 | DISTRIBUTOR; 5 OUTLETS, 19 ODS, .50 ODM INLET, BRASS |
| TUB11685 | 5 | 1 | TUBE; ASSEMBLY, INDOOR DISTRIBUTOR |
| TUB11605 | 6 | 1 | TUBE; ASSEMBLY, INDOOR FLOW CONTROL, R410A |
| VAL08716 | 6 | 1 | VALVE; EXPANSION W/ SWEAT FITTINGS, 3 TON, 3/8 IN INLET X 1/2 IN OUTLET, 91/87 PSIG, R410A |
| COL15202 | 7 | 1 | COIL; INDOOR, FLAT FIN |
| CAP00455 | 8 | 3 | CAP; HUB, 7/16-20 STRAIGHT |
| COR00103 | 8 | 3 | CORE; VALVE, .79 LENGTH, .206-36 UNS-1 MOD. THD |
| CPT00266 | 9 | 1 | CAPACITOR; RUN, 5 MFD, 370V, OVAL, W/O RESISTOR |

FAN

75005599

REV
A

Typical Illustration. Unit may not appear exactly as shown.



Parts List Number :75008387#4YCZ6UP5

Model Number :4YCZ6036A3096CA

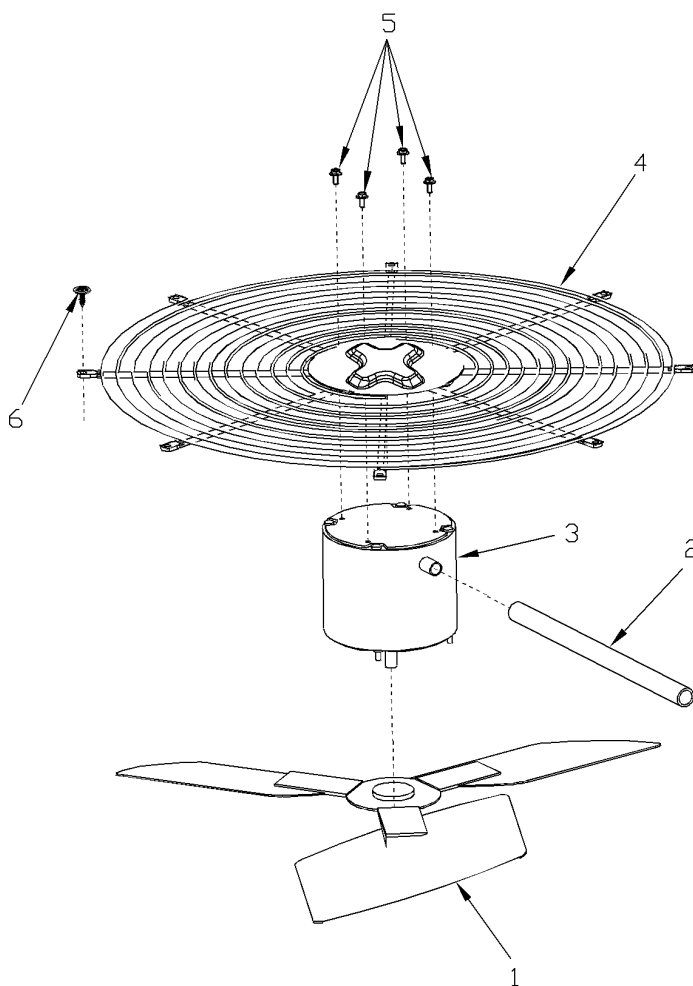
| Part No. | Reference No. | Quantity | Description |
|----------------------------|---------------|----------|----------------|
| 75005599_4YCZ6UP5_203278~P | * | | FAN PARTS LIST |

FAN

75005599

REV
A

Typical Illustration. Unit may not appear exactly as shown.



Parts List Number :75008387#4YCZ6UP5

Model Number :4YCZ6036A3096CA

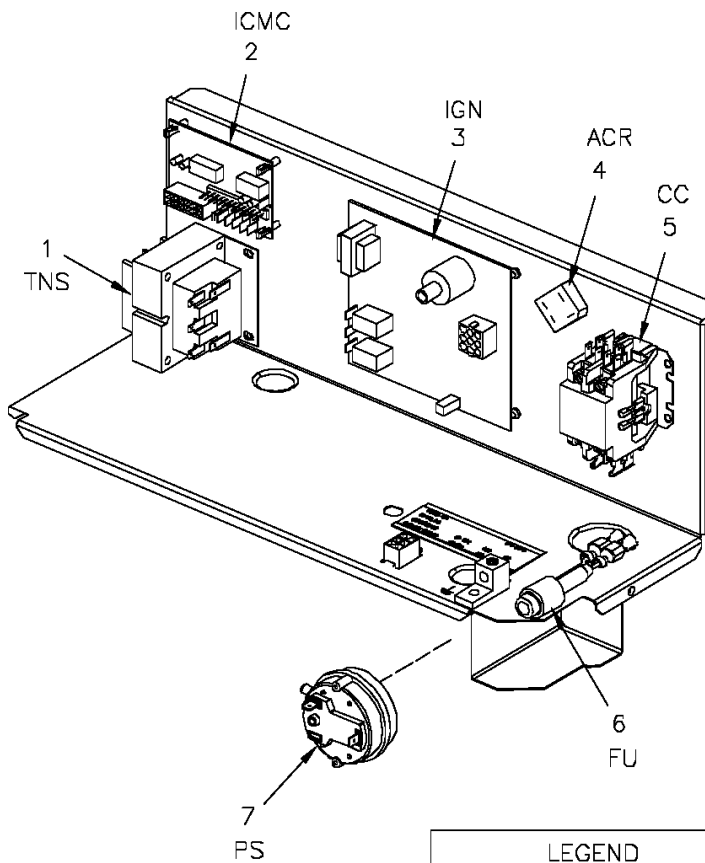
| Part No. | Reference No. | Quantity | Description |
|----------|---------------|----------|---|
| FAN03983 | 1 | 1 | FAN; SWEPT BLADE, 2 BLADE, ALUMINUM, 23.4 IN DIA, 30 DEGREES PITCH, .50 IN BORE, CCW, 1 SET SCREW-STEEL |
| GRD01633 | 2 | 1 | GUARD; TROUGH-LEAD |
| MOT13827 | 3 | 1 | MOTOR; OUTDOOR, 1/6 HP, 200-230/60/1, 830 RPM, TYPE PSC, CCW, SLEEVE BEARINGS, 5 MFD CPT AT 370V |
| GRL01529 | 4 | 1 | GRILL; OUTDOOR FAN, 26.0 IN MOUNTING DIA |
| SCR02086 | 5 | 4 | SCREW; 10-32 TR-3 HW 3/8 S |

Controls

75008959

REV
A

Typical illustration. Unit may not appear exactly as shown.



| LEGEND | |
|--------|-------------------------------------|
| ACR | Rectifier Bridge |
| CC | Compressor Motor Coil |
| FU | Fuse |
| ICMC | Integrated Commutated Motor Control |
| IGN | Ignition Control Module |
| PS | Pressure Switch |
| TNS | Transformer |

Parts List Number :75008387#4YCZ6UP5

Model Number :4YCZ6036A3096CA

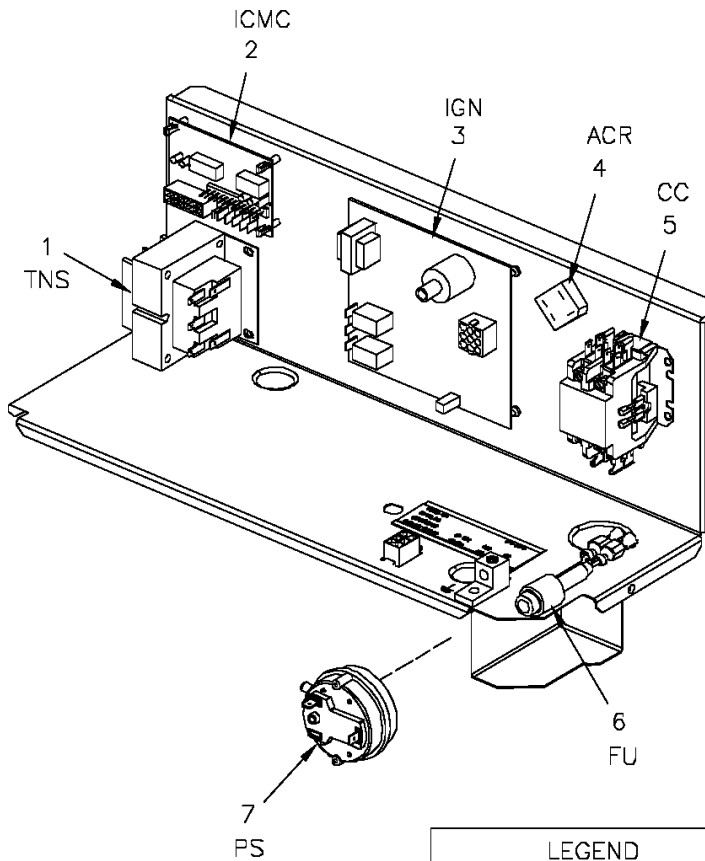
| Part No. | Reference No. | Quantity | Description |
|----------------------------|---------------|----------|---------------------|
| 75008959_4YCZ6UP5_175265~P | * | | CONTROLS PARTS LIST |

Controls

75008959

REV
A

Typical illustration. Unit may not appear exactly as shown.



| LEGEND | |
|--------|-------------------------------------|
| ACR | Rectifier Bridge |
| CC | Compressor Motor Coil |
| FU | Fuse |
| ICMC | Integrated Commutated Motor Control |
| IGN | Ignition Control Module |
| PS | Pressure Switch |
| TNS | Transformer |

Parts List Number :75008387#4Y CZ6UP5

Model Number :4Y CZ6036A3096CA

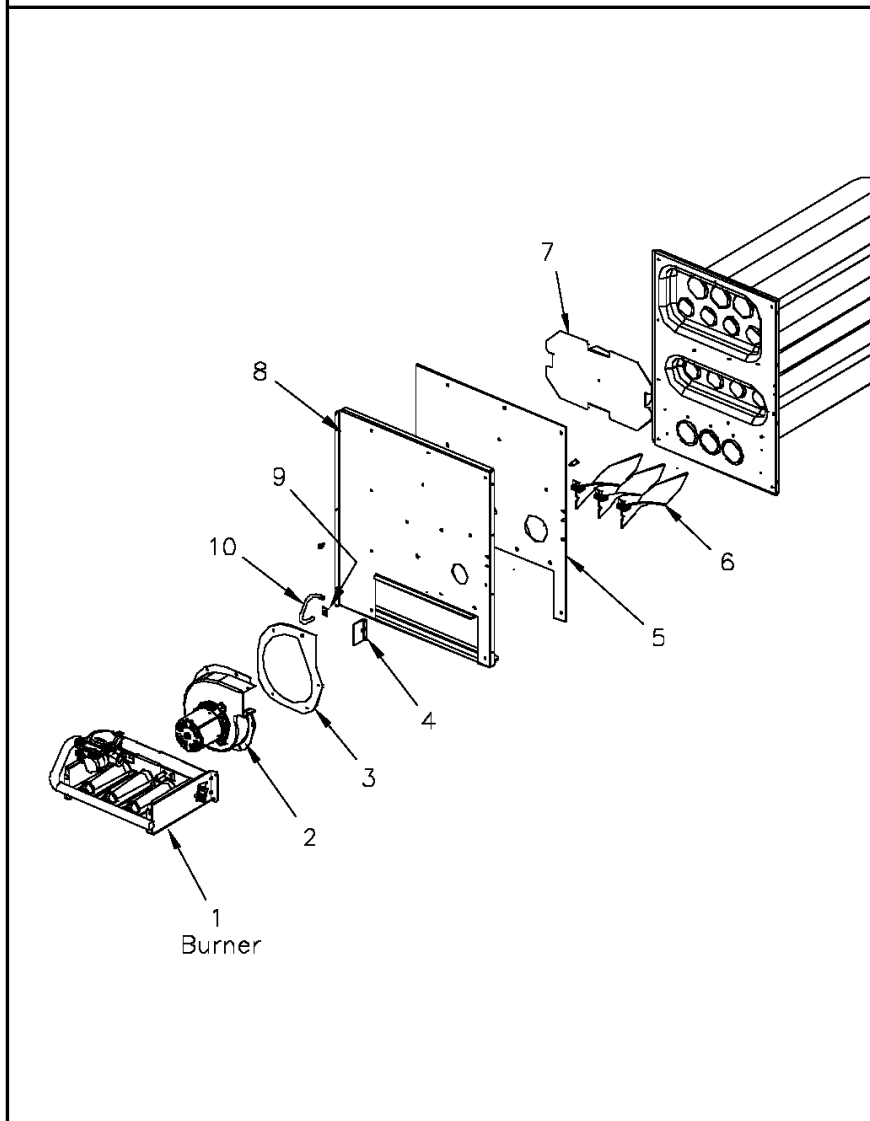
| Part No. | Reference No. | Quantity | Description |
|----------|---------------|----------|---|
| LUG00014 | * | 1 | LUG, GROUND |
| WIR05397 | * | 1 | WIRE; HARNESS, CONTROLS. INCLUDES HIGH AND LOW VOLTAGE HARNESSES |
| TRR01558 | 1 | 1 | TRANSFORMER; 75VA, 200/230V PRI, 24V SEC, QUICK CONNECTS |
| CNT03600 | 2 | 1 | CONTROL; ICM FAN, PWB, 16 PIN |
| CNT05135 | 3 | 1 | CONTROL; DUAL STAGE, DIRECT SPARK IGNITION MODULE |
| RTF00058 | 4 | 1 | RECTIFIER; BRIDGE |
| CTR01333 | 5 | 1 | CONTACTOR; 2 POLE, NO, 40 FLA AT 240V, 50/60 HZ, 50 RES AMPS, 24V COIL, 40 FLA AT 277/480/600V |
| FUS01776 | 6 | 1 | FUSE; 3.2 AMP, WITH HOLDER AND QUICK CONNECTS |
| CNT05641 | 7 | 1 | CONTROL; AIR PRESSURE, SPST, 28VA PILOT DUTY AT 24 VAC, 125VA PILOT DUTY AT 125VAC, SNAP ACTING CONTACTS, OPERATING TEMP RANGE: -40 TO 190F |

Heat

75008400

REV
A

Typical illustration. Unit may not appear exactly as shown.



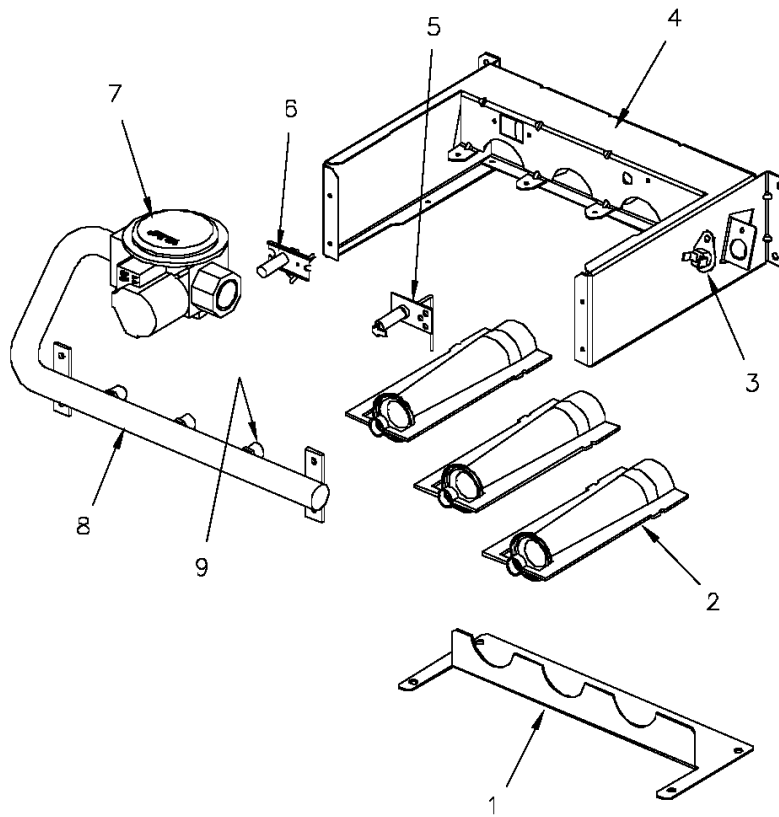
| Part No. | Reference No. | Quantity | Description |
|----------------------------|----------------------|-----------------|--------------------|
| 75008704#4YCZ6UP5~S | * | | BURNER |
| 75008400_4YCZ6UP5_237797~P | * | | HEAT PARTS LIST |

Burner

75008704

REV
A

Typical illustration. Unit may not appear exactly as shown.



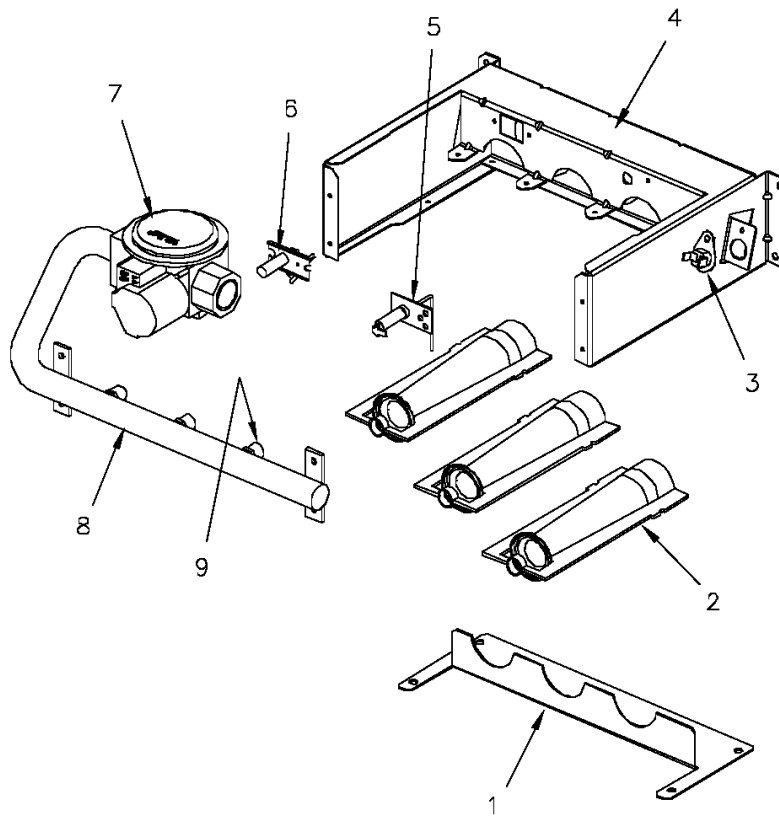
| Part No. | Reference No. | Quantity | Description |
|----------------------------|---------------|----------|-------------------|
| 75008704_4YCZ6UP5_175259~P | * | | BURNER PARTS LIST |

Burner

75008704

REV
A

Typical illustration. Unit may not appear exactly as shown.



Parts List Number :75008387#4Y CZ6UP5

Model Number :4Y CZ6036A3096CA

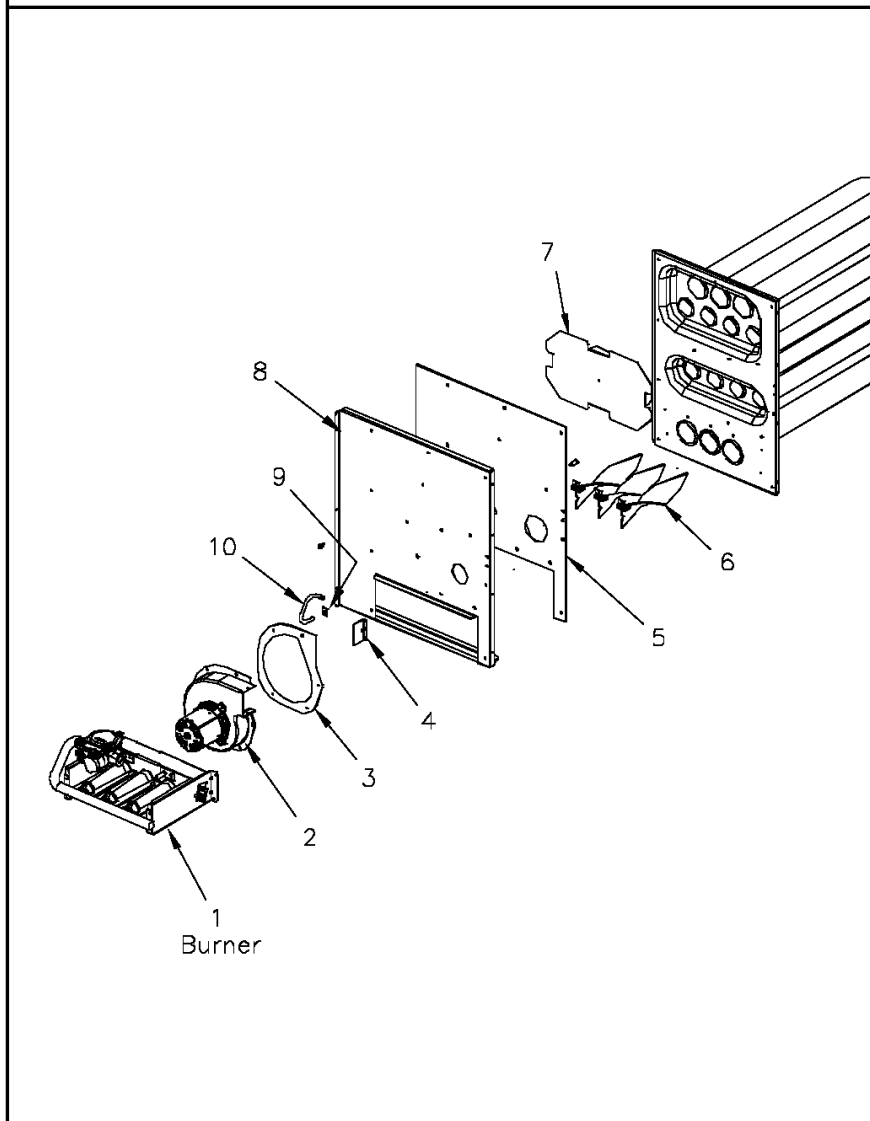
| Part No. | Reference No. | Quantity | Description |
|----------|---------------|----------|---|
| RTR00833 | 1 | 1 | RETAINER; BURNER, 10.53 L |
| BNR01071 | 2 | 3 | BURNER; 0.60 ID INSHOT BURNER, 0.036 THK 304 STAINLESS STEEL |
| SWT02945 | 3 | 1 | SWITCH; TEMP, 200 OPEN/CLOSE MANUAL, 25 AMP AT 240V, 125V PILOT DUTY, STAINLESS STEEL |
| BRK03606 | 4 | 1 | BRACKET; BURNER |
| SEN00297 | 5 | 1 | SENSOR; FLAME |
| IGN00135 | 6 | 1 | IGNITER; ELECTRODE, 22 INCH LEAD |
| VAL09034 | 7 | 1 | VALVE; GAS, 2 STAGE, 1/2-14 NPT, 24V, 50/60 HZ, "J" SERIES |
| MFD01334 | 8 | 1 | MANIFOLD; ASSEMBLY-GAS, INCLUDES (3) ORF01406 |
| ORF01406 | 9 | 3 | ORIFICE; GAS, .1040 DIA, # 37 DRILL, SPUD |

Heat

75008400

REV
A

Typical illustration. Unit may not appear exactly as shown.



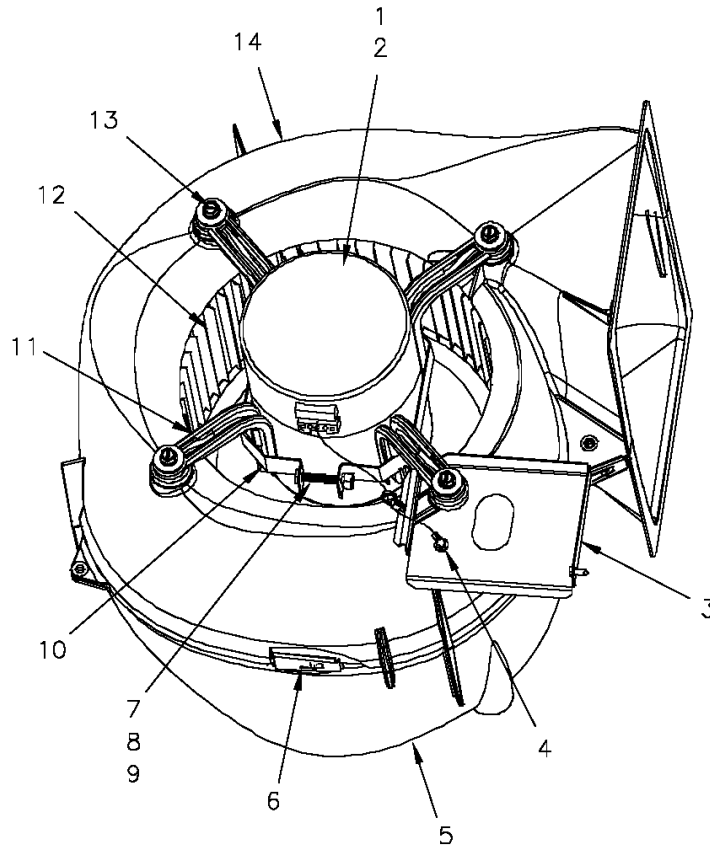
| Part No. | Reference No. | Quantity | Description |
|----------|---------------|----------|---|
| BRK03603 | * | 3 | BRACKET; TURBULATOR |
| EXC02105 | * | 1 | EXCHANGER; HEAT |
| THT03060 | * | 1 | THERMOSTAT; CONTROL, TEMP, SPST, OPEN 160F, CLOSE 110F |
| WEL00848 | * | 1 | WELL; BULB, TAP, STATIC, 1.0 LENGTH X 0.50 OD X 0.281 OD X 0.125 ID |
| BLW01311 | 2 | 1 | BLOWER; INDUCER, 208-230/60/1, 2800/1500 RPM, 1/39 HP, 0.25 AMPS, 2 MFD CPT AT 370 VAC, 3 PIN CONNECTOR, INCLUDES GKT04075. |
| GKT04075 | 3 | 1 | GASKET; INDUCER BLOWER |
| RSR00215 | 4 | 1 | RESTRICTOR; FLUE OUTLET |
| GKT04063 | 5 | 1 | GASKET; COLLECTOR BOX, 20.96 X 14.82 |
| TRB00121 | 6 | 3 | TURBULATOR; AND BRACKET ASSEMBLY |
| SHD00398 | 7 | 1 | SHIELD; HEAT, STAINLESS STEEL, 12.77 X 7.32 |
| BOF01930 | 8 | 1 | BLOCKOFF; BARRIER-GAS HEAT, 21.16 X 18.30 |
| CLP00940 | 9 | 1 | CLIP; STATIC, RETAINER, .80 X .56 X .022 |
| TUB05375 | 10 | 1 | TUBE; CONNECTING PRESSURE SW, 3/16 ID X 9 IN LENGTH |

Blower

75008694

REV
A

Typical illustration. Unit may not appear exactly as shown.



Parts List Number :75008387#4YCZ6UP5

Model Number :4YCZ6036A3096CA

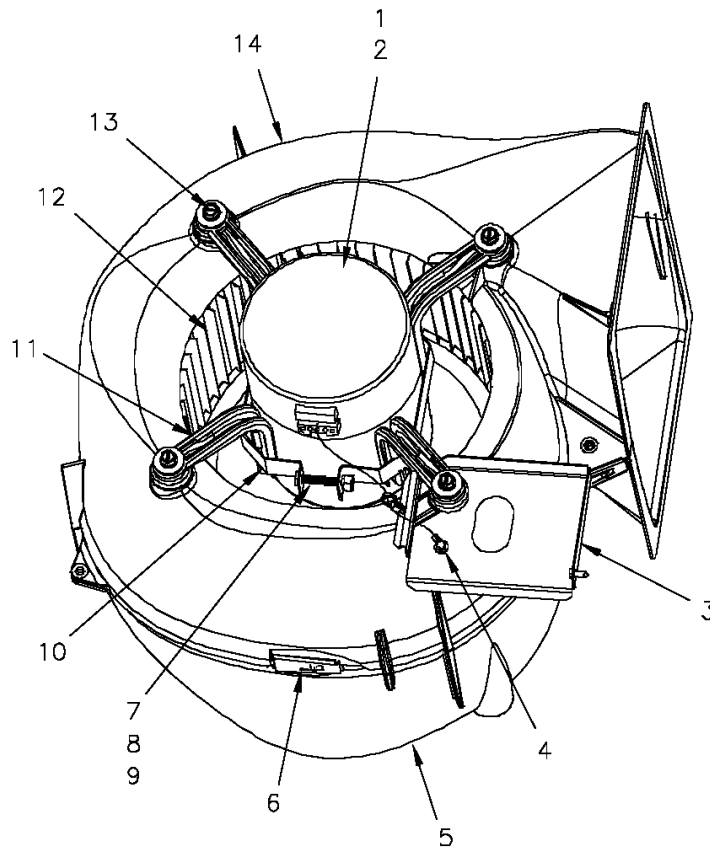
| Part No. | Reference No. | Quantity | Description |
|----------------------------|---------------|----------|-------------------|
| 75008694_4YCZ6UP5_203289~P | * | | BLOWER PARTS LIST |

Blower

75008694

REV
A

Typical illustration. Unit may not appear exactly as shown.



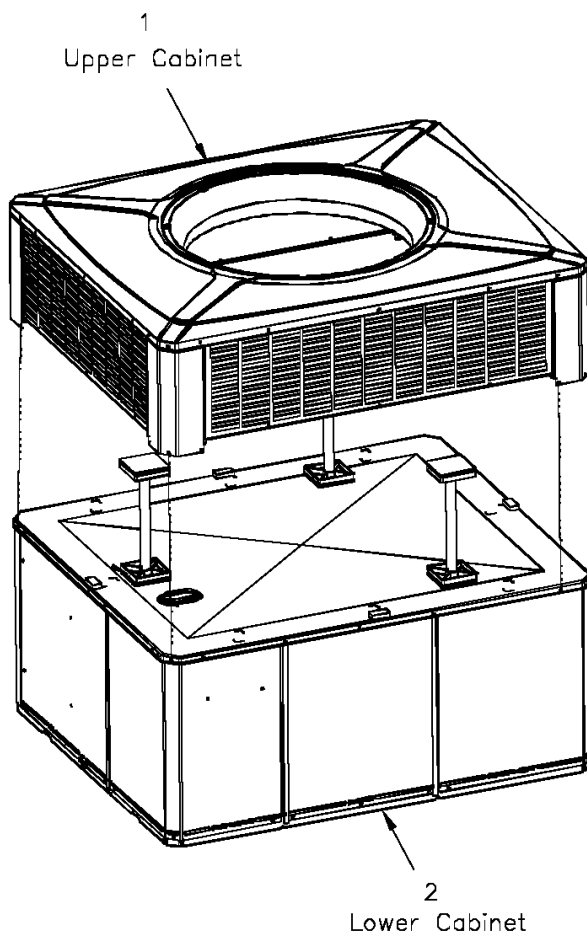
| Part No. | Reference No. | Quantity | Description |
|----------|---------------|----------|---|
| BLW01053 | * | 1 | BLOWER; ASSEMBLY COMPLETE |
| MOD01619 | 1 | 1 | MODULE; ELECTRONIC MOTOR CONTROL, VARIABLE SPEED PROGRAMMED |
| MOT12860 | 2 | 1 | MOTOR; ECM VS MOTOR MODULE SET; 1/2 HP; 115/230 VOLTAGE; PROGRAMMED |
| BRK03542 | 3 | 1 | BRACKET; BLOWER RETAINER, 4.32 X 3.45 |
| SCR00998 | 3 | 1 | SCREW; 10-16 B HXW 1/2 S |
| SCR00968 | 4 | 1 | SCREW; 10-16 HEX WASHER, TYPE B, THREAD FORMING SCREW, 0.31 THREAD LENGTH, STEEL W/ZINC FINISH |
| HUS03804 | 5 | 1 | HOUSING; BLOWER LEFT SIDE WITH 4 MOUNTING HOLES, MOLDED GLASS FIBER POLYESTER, COLOR: NATURAL |
| CLP01088 | 6 | 4 | CLIP; CLEAT-BLOWER |
| SCR01584 | 7 | 1 | BOLT; 1/4-20 MA HX 1.5 S |
| SCR00998 | 8 | 1 | SCREW; 10-16 B HXW 1/2 S |
| WAS00646 | 9 | 1 | WASHER; STEEL SPRING LOCK, 1/4 INCH |
| BND00026 | 10 | 1 | BAND; MOTOR MOUNT |
| BRK03396 | 11 | 4 | BRACKET; ARM-MOTOR |
| WHL02167 | 12 | 1 | WHEEL; FAN, 10.62 DIA X 10.68W, .50 BORE, CCW, CONCAVE |
| SCR02112 | 13 | 4 | SCREW; ASSEMBLY-MOTOR MOUNT |
| HUS03805 | 14 | 1 | HOUSING; BLOWER RIGHT SIDE WITHOUT MOUNTING HOLES, MOLDED GLASS FIBER POLYESTER, COLOR: NATURAL |

Cabinet

75008397

REV
A

Typical illustration. Unit may not appear exactly as shown.



View is determined by facing Appearance Nameplate

Parts List Number :75008387#4YCZ6UP5

Model Number :4YCZ6036A3096CA

| Part No. | Reference No. | Quantity | Description |
|----------------------------|----------------------|-----------------|--------------------|
| 75008397_4YCZ6UP5_175250~P | * | | CABINET PARTS LIST |
| 75008399#4YCZ6UP5~S | * | | LOWER CABINET |
| 75008381#4YCZ6UP5~S | * | | UPPER CABINET |

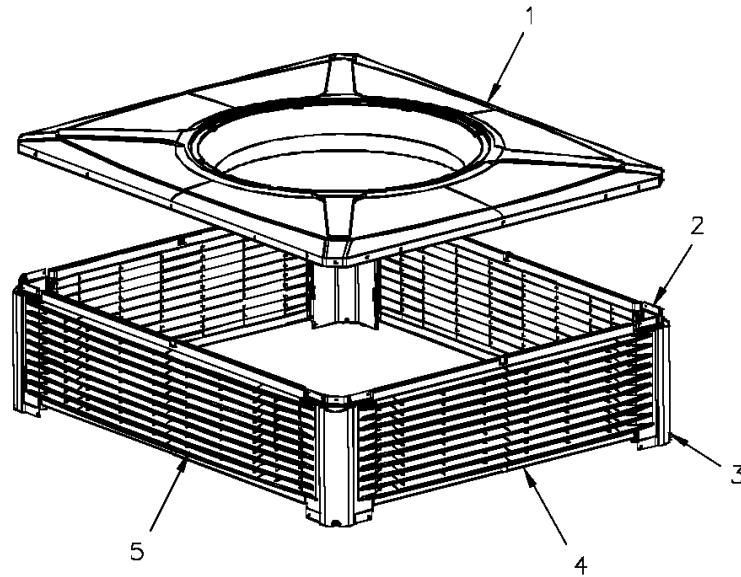
Cabinet

75008381

REV
A

upper

Typical illustration. Unit may not appear exactly as shown.



Parts List Number :75008387#4YCZ6UP5

Model Number :4YCZ6036A3096CA

| Part No. | Reference No. | Quantity | Description |
|----------------------------|---------------|----------|--------------------------|
| 75008381_4YCZ6UP5_237796~P | * | | UPPER CABINET PARTS LIST |

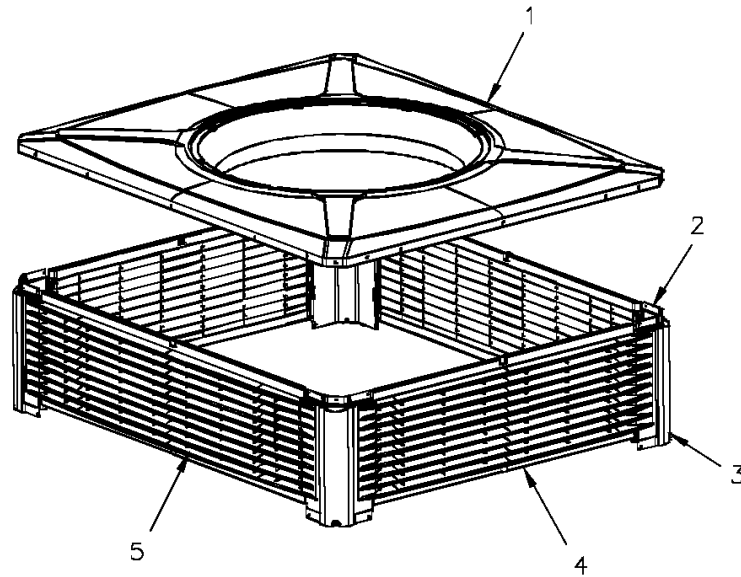
Cabinet

75008381

REV
A

upper

Typical illustration. Unit may not appear exactly as shown.



| Part No. | Reference No. | Quantity | Description |
|-----------------|----------------------|-----------------|---|
| SUP05014 | * | 3 | SUPPORT; OD COIL, BOTTOM, 4X4, INCLUDES GASKET |
| SUP05015 | * | 3 | SUPPORT; OD COIL, TOP, 4X4, INCLUDES GASKET |
| COV03694 | 1 | 1 | COVER; OUTDOOR, TOP, 48.61 X 41.08 |
| PNL22002 | 2 | 4 | PANEL; CORNER POST, 13.84 H |
| PNL23823 | 4 | 2 | PANEL; PLASTIC LOUVER, 35.86 X 13.40 - INCLUDES SPEED NUTS AND MOUNTING BRACKETS. |
| PNL23824 | 5 | 2 | PANEL; PLASTIC LOUVER, 43.40 X 13.40 - INCLUDES SPEED NUTS AND MOUNTING BRACKETS. |

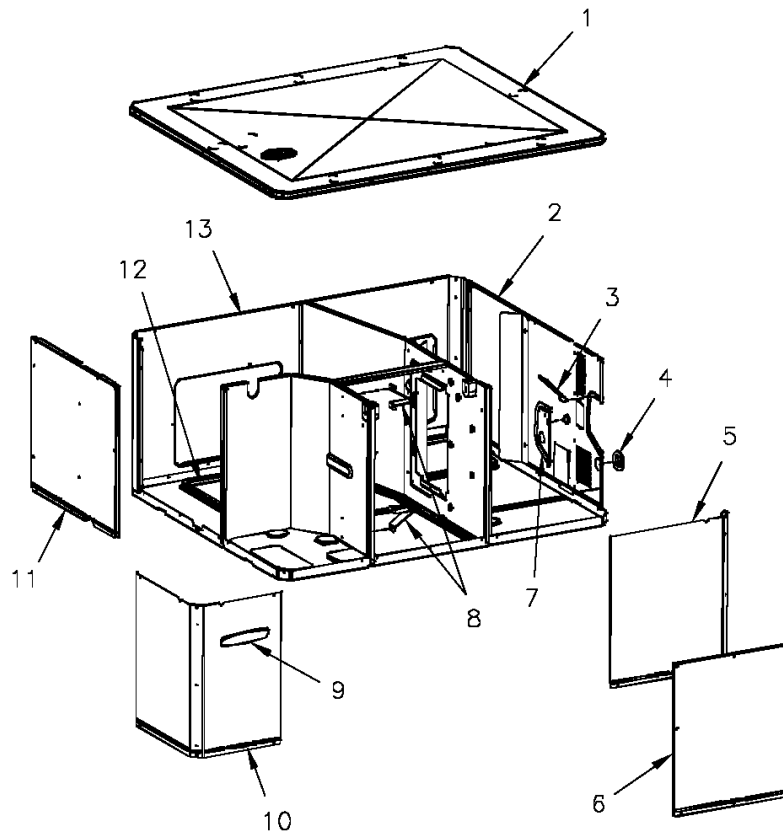
Cabinet

75008399

REV
A

lower

Typical illustration. Unit may not appear exactly as shown.



View is determined by facing Appearance Nameplate

Parts List Number :75008387#4YCZ6UP5

Model Number :4YCZ6036A3096CA

| Part No. | Reference No. | Quantity | Description |
|----------------------------|---------------|----------|--------------------------|
| 75008399_4YCZ6UP5_203281~P | * | | LOWER CABINET PARTS LIST |

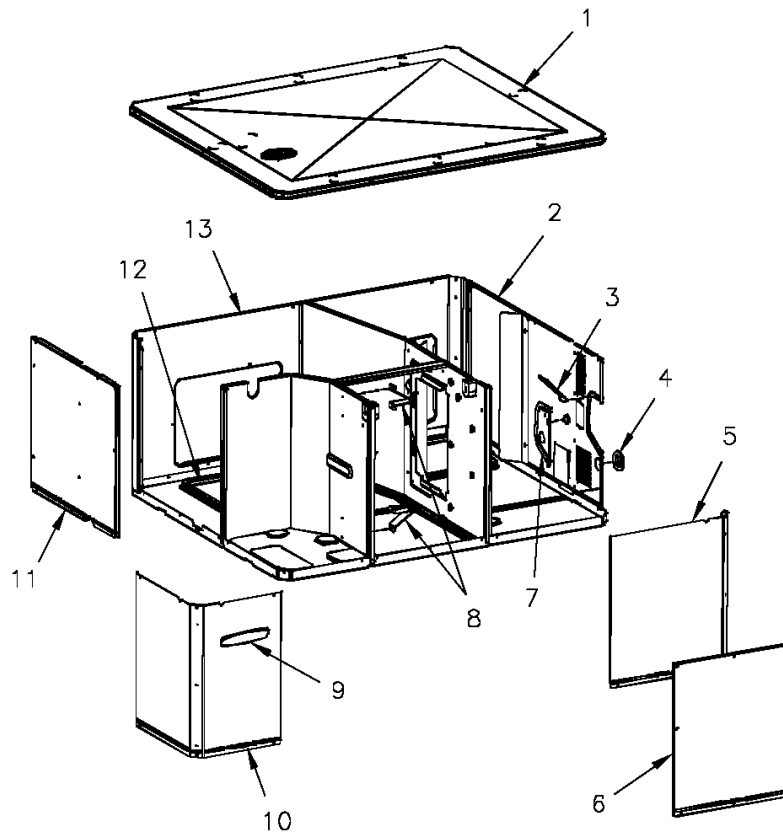
Cabinet

75008399

REV
A

lower

Typical illustration. Unit may not appear exactly as shown.



View is determined by facing Appearance Nameplate

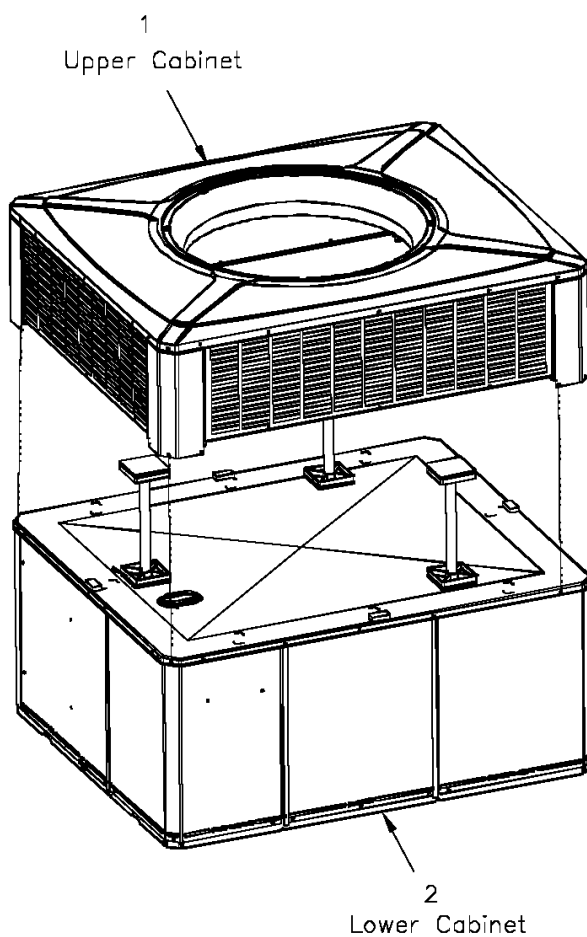
| Part No. | Reference No. | Quantity | Description |
|----------|---------------|----------|---|
| BAF01392 | * | 1 | BAFFLE; AIR, 20.00 X 3.68 |
| GRM00118 | * | 1 | GROMMET; 3/16 IN ID, NEOPRENE |
| GRM00129 | * | 2 | GROMMET; SCREW |
| HOD00519 | * | 1 | HOOD; ASSEMBLY, FLUE |
| PNL26584 | * | 1 | PANEL; BLOWER BARRIER, 41.05 X 21.15 |
| PNL28755 | * | 1 | PANEL; COMPRESSOR BARRIER, 27.22 W X 21.15 H |
| SHD00424 | * | 1 | SHIELD; LOUVER, BOTTOM, 6.0 X 4.0 |
| COV03696 | 1 | 1 | COVER; INDOOR, TOP, 48.61 X 41.08 |
| PNL22038 | 2 | 1 | PANEL; GAS HEAT ACCESS, 36.00 X 20.91 |
| SHD00397 | 3 | 1 | SHIELD; LOUVER, TOP, 5.0 X 1.9 |
| BUS00616 | 4 | 1 | BUSHING; 1.62 DIA |
| PNL22000 | 5 | 1 | PANEL; CONTROL/HEAT ACCESS, 17.93 X 20.70 |
| PNL22013 | 6 | 1 | PANEL; BLOWER ACCESS, 17.63 X 20.70 |
| PNL22042 | 7 | 1 | PANEL; GAS HEAT, 7.81 X 4.50 |
| BRK03541 | 8 | 1 | BRACKET; BLOWER SUPPORT, V-SHAPED, 3.13 X 2.75 X 1.50 |
| PLT04416 | 9 | 1 | PLATE; APPEARANCE NAMEPLATE, TRANE XL16C, 9.0 X 1.82 |
| PNL21998 | 10 | 1 | PANEL; COMPRESSOR ACCESS, 20.7 X 12.7 & 20.7 X 15.5 |
| PNL22039 | 11 | 1 | PANEL; INDOOR COIL ACCESS, 22.42 X 20.70 |
| COV03698 | 12 | 2 | COVER; SUPPLY AND RETURN, 15.88 X 11.88 |
| PNL22197 | 13 | 1 | PANEL; SUPPLY AND RETURN, 48.41 X 20.88 |

Cabinet

75008397

REV
A

Typical illustration. Unit may not appear exactly as shown.



View is determined by facing Appearance Nameplate

Parts List Number :75008387#4YCZ6UP5

Model Number :4YCZ6036A3096CA

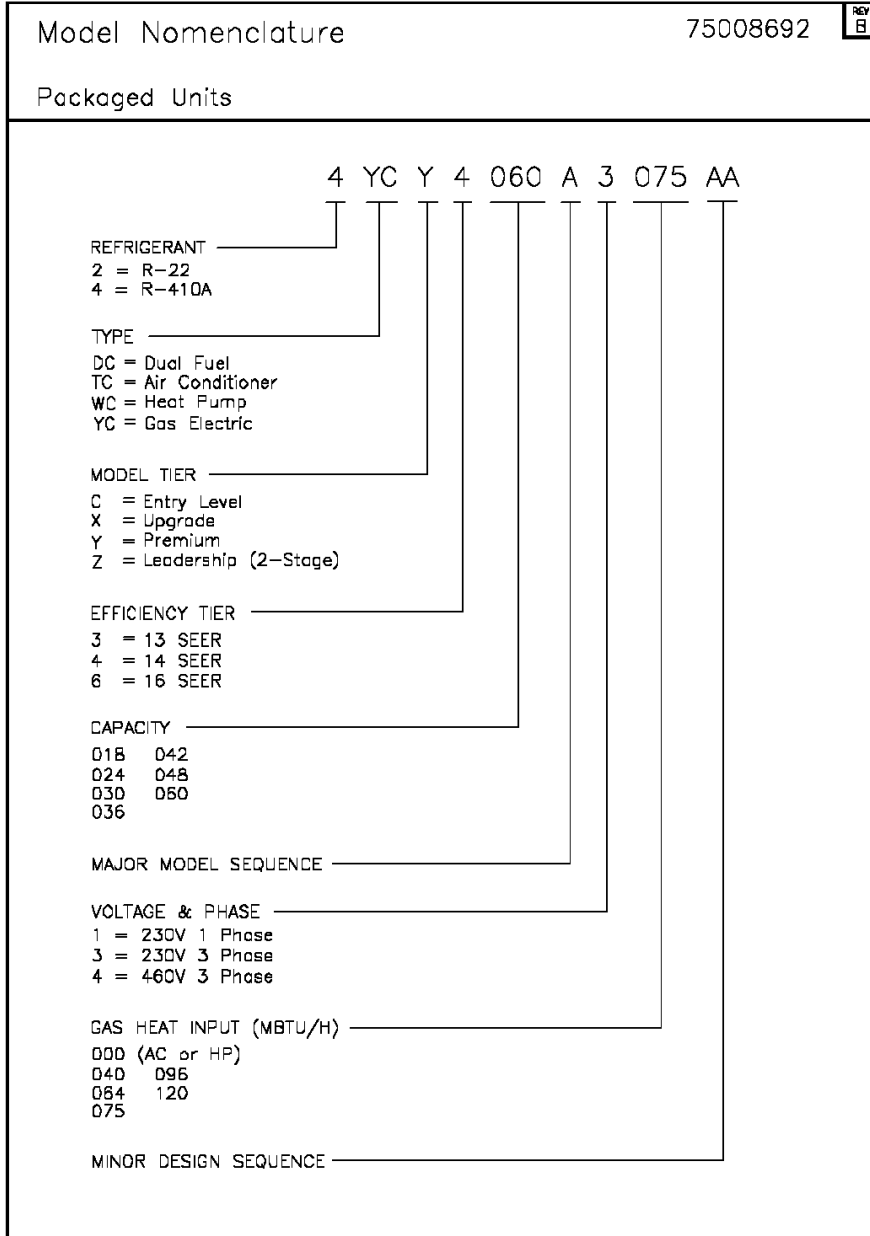
| Part No. | Reference No. | Quantity | Description |
|----------|---------------|----------|---|
| PAI00074 | * | 1 | PAINT; SPRAY, SLATE GREY, FULL GLOSS(88) (SHIPPING UOM 12 OZ HAZ) |



Parts List Number :75008387#4YCZ6UP5

Model Number :4YCZ6036A3096CA

| Part No. | Reference No. | Quantity | Description |
|----------------------------|---------------|----------|-------------------------------|
| 75008692_4YCZ6UP5_175261~P | * | | MODEL NOMENCLATURE PARTS LIST |



Parts List Number :75008387#4YCZ6UP5

Model Number :4YCZ6036A3096CA

| Part No. | Reference No. | Quantity | Description |
|--------------------------------|---------------|----------|---|
| NGRAPHIC_4YCZ6UP5_237798~ P | * | | OPTIONAL FIELD INSTALLED ACCESSORIES PARTS LIST |

NO GRAPHIC AVAILABLE

75013702

REV
A

**NO
GRAPHIC
AVAILABLE**

Parts List Number :75008387#4Y CZ6UP5

Model Number :4Y CZ6036A3096CA

| Part No. | Reference No. | Quantity | Description |
|-----------|---------------|----------|--|
| BAYUV101A | * | 1 | 25 WATT UV LIGHT KIT FOR SMALL PACKAGED UNITS |
| ECN00124 | * | 1 | ECONOMIZER; DOWN DISCHARGE, AND RAIN HOOD (BAYECON103AA) |
| ECN00126 | * | 1 | ECONOMIZER; HORIZONTAL (BAYECON203AA) |
| KIT03361 | * | 1 | KIT; LIFTING LUGS-BAYLIFT002B (CTN = 6 PIECES) |
| KIT06658 | * | 1 | KIT; ENTHALPY CONTROL (BAYENTH001AB) |
| KIT13551 | * | 1 | KIT; CURB ADAPTER (BAYADAP050AA) |
| KIT13552 | * | 1 | KIT; CURB ADAPTER (BAYADAP051AA) |
| KIT13559 | * | 1 | KIT; 12 INCH DUCT SHROUD COVERS HORIZONTAL (BAYCOVR112AA) |
| KIT13560 | * | 1 | KIT; 18 INCH DUCT SHROUD COVERS HORIZONTAL (BAYCOVR118AA) |
| KIT13561 | * | 1 | KIT; FULL PERIMETER ROOF MOUNTING CURB (BAYCURB050AA) |
| KIT13563 | * | 1 | KIT; OUTSIDE AIR, 2 POS DAMPER (BAYDMPR101AA) |
| KIT13565 | * | 1 | KIT; EXTREME CURB MOUNTING (BAYEXMK001AA) |
| KIT13567 | * | 1 | KIT; EXTREME CURB MOUNTING (BAYEXMK003AA) |
| KIT13569 | * | 1 | KIT; LP CONVERSION (BAYLPKT101AA) |
| KIT13571 | * | 1 | KIT; OUTSIDE AIR, MANUAL DAMPER (BAYOSAH001AA) |
| KIT13575 | * | 1 | KIT; SQUARE/ROUND DUCT ADAPTER (BAYSQRD001AA) |
| KIT13640 | * | 1 | KIT; LOW AMBIENT COOLING, HEAD PRESSURE CONTROL (BAYLOAM105AA) |
| KIT13650 | * | 1 | KIT; UNCASSED COIL ENCLOSURE ASSEMBLY, 22.63 X 17.50 X 21.50, BAYCLE17A1722AA |
| KIT15096 | * | 1 | KIT; FILTER FRAME (BAYFLTR101BA). USE ONE 20 X 25 FILTER - NOT INCLUDED. |
| KIT15141 | * | 1 | KIT; ACCESS DOOR, 1-1/2 TO 3 TON MODELS (BAYACCDOR1AA) |
| KIT15323 | * | 1 | KIT; EXTREME CURB MOUNTING (BAYEXMK002BA) |
| KIT15324 | * | 1 | KIT; OUTSIDE AIR CONTROL (BAYOSAC001BA) |
| KIT15325 | * | 1 | KIT; SQUARE/ROUND DUCT ADAPTER (BAYUTIL101BA) |
| KIT15405 | * | 1 | KIT; ECONOMIZER, HINGED FILTER ACCESS DOOR AND FILTER FRAME (BAYECONCOMB103A) |
| KIT15752 | * | 1 | KIT; SUMP HEATER, 208/230V, 40W, BELLY BAND STYLE (BAYCCHT302), 74 IN LENGTH, 5.5 INCH DIA |
| TMR00140 | * | 1 | TIMER; ANTISHORT CYCLE (BAYASCT001) |