

<b>Part No.</b>	<b>Reference No.</b>	<b>Quantity</b>	<b>Description</b>
0000172486~S	*		BLOWER
0000172485~S	*		CABINET
0000209687~S	*		COIL
0000172488~S	*		CONTROL
0000172490~S	*		HEAT EXCHANGER
0000172492~S	*		MODEL NUMBER DESCRIPTION
0000172489~S	*		REFRIGERATION

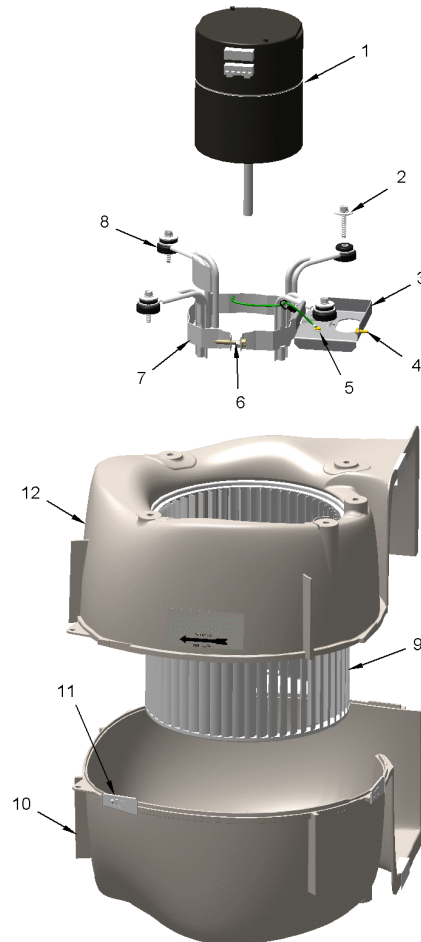
Part No.	Reference No.	Quantity	Description
0000040288~P	*		BLOWER PARTS LIST

BLOWER

75010829

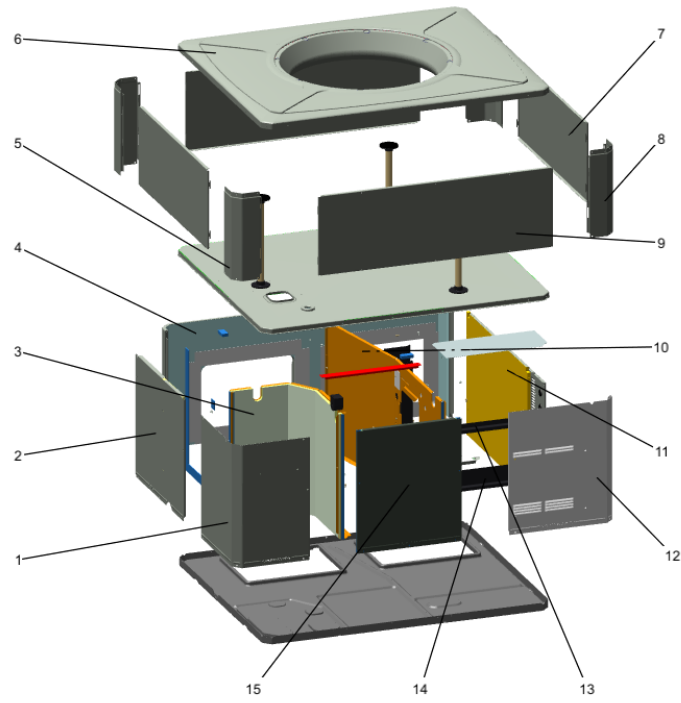
REV  
A

TYPICAL ILLUSTRATION



Part No.	Reference No.	Quantity	Description
BLW01382	*	1	BLOWER; ASSEMBLY, COMPLETE
TIE00004	*	1	TIE; WIRE
MOT15147	1	1	MOTOR; VARIABLE SPEED, PROGRAMMED EON ASSEMBLY, 1/2 HP, DUAL VOLT, 1800 RPM
SCR02112	2	4	SCREW; ASSEMBLY-MOTOR MOUNT
BRK03542	3	1	BRACKET; BLOWER RETAINER, 4.32 X 3.45
SCR00998	4	1	SCREW; 10-16 B HXW 1/2 S
SCR00968	5	1	SCREW; 10-16 HEX WASHER, TYPE B, THREAD FORMING SCREW, 0.31 THREAD LENGTH, STEEL W/ZINC FINISH
NUT01063	6	1	NUT; LOCKING NYLON
SCR01584	6a	1	BOLT; 1/4-20 MA HX 1.5 S
BND00026	7	1	BAND; MOTOR MOUNT
BRK03396	8	4	BRACKET; ARM-MOTOR
WHL02558	9	1	WHEEL; BLOWER, 48 BLADES, CCW, CONCAVE DISC, 10.62 X 10.68
HUS03805	10	1	HOUSING; BLOWER RIGHT SIDE WITHOUT MOUNTING HOLES, MOLDED GLASS FIBER POLYESTER, COLOR: NATURAL
CLP01123	11	4	CLIP; CLEAT-BLOWER
HUS03804	12	1	HOUSING; BLOWER LEFT SIDE WITH 4 MOUNTING HOLES, MOLDED GLASS FIBER POLYESTER, COLOR: NATURAL

Part No.	Reference No.	Quantity	Description
0000037719~P	*		CABINET PARTS LIST



Part No.	Reference No.	Quantity	Description
BAF01248		1	BAFFLE; AIR, 18 IN HIGH
BAF01392		1	BAFFLE; AIR, 20.00 X 3.68
BRK03541		1	BRACKET; BLOWER SUPPORT, V-SHAPED, 3.13 X 2.75 X 1.50
BRK03610		16	BRACKET; PLASTIC LOUVER, 2.0 X .63 X .53
BUS00616		1	BUSHING; 1.62 DIA
COV04899		1	COVER; TOP, INDOOR, 48.61 X 41.08
GRM00118		1	GROMMET; 3/16 IN ID, NEOPRENE
GRM00129		2	GROMMET; SCREW
INS02869		1	INSULATION; INDOOR TOP COVER, 17.5 X 7.4
PAI00074		0	PAINT; SPRAY, SLATE GREY, FULL GLOSS(88) (SHIPPING UOM 12 OZ HAZ)
PNL22042		1	PANEL; GAS HEAT, 7.81 X 4.50
SCR00981		26	SCREW, 10-16 AB HXW 1/2 S
SCR01509		2	SCREW; 10-16 AB HXW 3/4 S N
SCR01510		71	SCREW; 10-16 AB HXW 1/2 SN
SCR01511		16	SCREW; 10-16 B HXW 1/2 S
SUP05918		3	SUPPORT; OUTDOOR COIL, 3.0 DIA, WITH GASKET
SUP05919		3	SUPPORT; OUTDOOR COIL, 3.0 DIA, WITH GASKET
TUB12284		3	TUBE; SUPPORT, TOP PIPE, .75 DIA, SCHEDULE 40 GREY PVC, 14.46 INCHES
PNL21998	1	1	PANEL; COMPRESSOR ACCESS, 20.7 X 12.7 & 20.7 X 15.5
PNL22039	2	1	PANEL; INDOOR COIL ACCESS, 22.42 X 20.70
PNL28755	3	1	PANEL; COMPRESSOR BARRIER, 27.22 W X 21.15 H
PNL32042	4	1	PANEL; SUPPLY AND RETURN, 48.41 X 20.88
COV03694	5	2	COVER; OUTDOOR, TOP, 48.61 X 41.08
COV04901	6	2	COVER; SUPPLY AND RETURN, 15.88 X 11.88
PNL23823	7	2	PANEL; PLASTIC LOUVER, 35.86 X 13.40 - INCLUDES SPEED NUTS AND MOUNTING BRACKETS.
PNL22002	8	4	PANEL; CORNER POST, 13.84 H
PNL23824	9	2	PANEL; PLASTIC LOUVER, 43.40 X 13.40 - INCLUDES SPEED NUTS AND MOUNTING BRACKETS.
PNL26584	10	1	PANEL; BLOWER BARRIER, 41.05 X 21.15
PNL32044	11	1	PANEL; GAS HEAT, 36.00 X 20.90
PNL22000	12	1	PANEL; CONTROL/HEAT ACCESS, 17.93 X 20.70
SHD00397	13	1	SHIELD; LOUVER, TOP, 5.0 X 1.9
SHD00424	14	1	SHIELD; LOUVER, BOTTOM, 6.0 X 4.0
PNL22013	15	1	PANEL; BLOWER ACCESS, 17.63 X 20.70

Part No.	Reference No.	Quantity	Description
0000055077~P	*		COIL ASSEMBLY OUTDOOR (COOLING)

<b>Part No.</b>	<b>Reference No.</b>	<b>Quantity</b>	<b>Description</b>
TIE00029	1	3	TIE;CABLE
COL20446	2	1	COIL; OUTDOOR, SPINE FIN
FLR09706	3	1	DRIER; FILTER
TER00312	4	3	TERMINAL; 8IN. TIE CABLE
TUB11547	5	14	TUBE; TRANSITION ASSEMBLY
TIE00015	6	1	TIE;
TUB02810	7	14	TUBE; TRANSITION

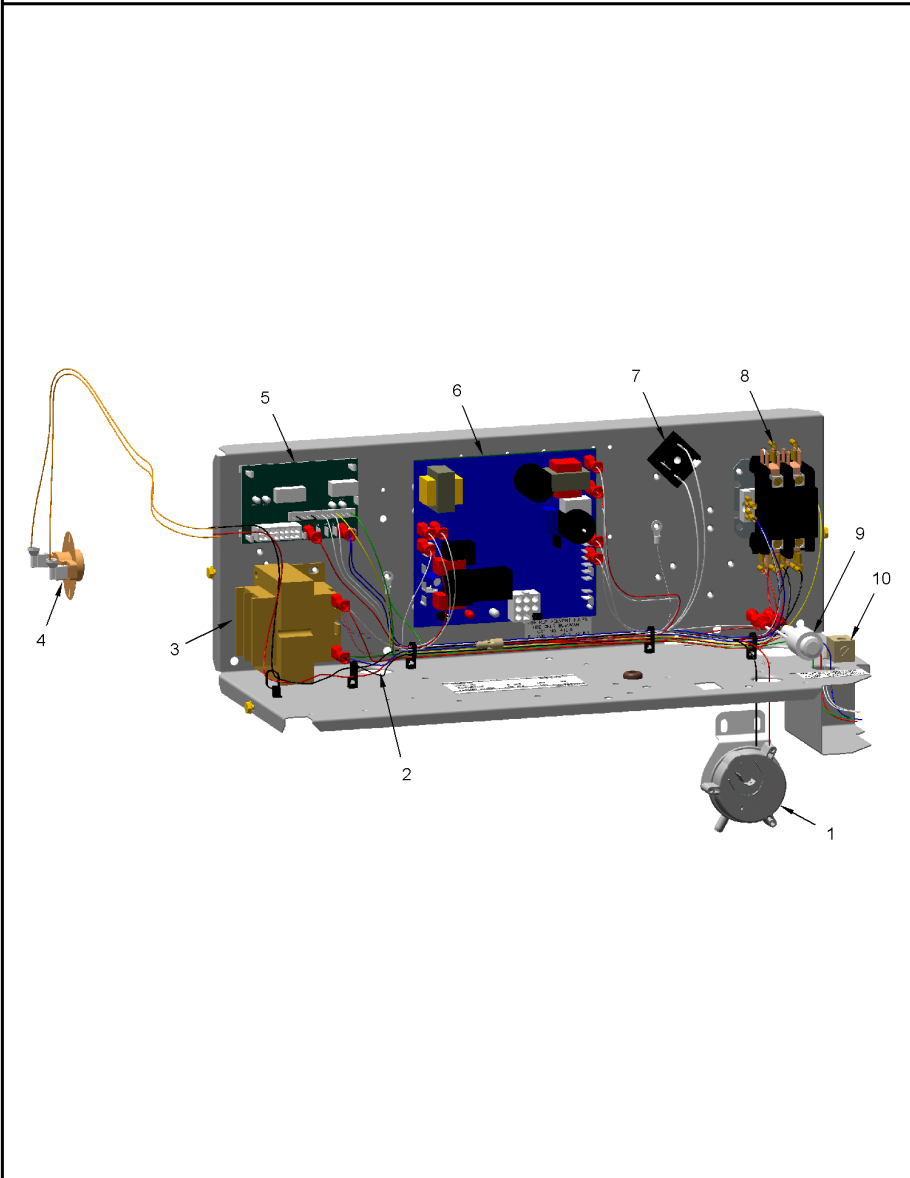
Part No.	Reference No.	Quantity	Description
0000040330~P	*		CONTROL BOX PARTSS LIST

CONTROL BOX

75010825

REV.  
A

TYPICAL ILLUSTRATION



Part No.	Reference No.	Quantity	Description
PIN00192	*	1	PIN; POLARIZING
PLU00325	*	1	PLUG; CONNECTOR, POLARIZED, 9 PIN MALE, NYLON, NATURAL COLOR
PLU00538	*	2	PLUG; POLARIZED, 16 PIN
SCR00968	*	2	SCREW; 10-16 HEX WASHER, TYPE B, THREAD FORMING SCREW, 0.31 THREAD LENGTH, STEEL W/ZINC FINISH
SCR00981	*	4	SCREW, 10-16 AB HXW 1/2 S
SCR00998	*	7	SCREW; 10-16 B HXW 1/2 S
SCR01080	*	1	SCREW; 10-16 B HXW 3/4 S N
SCR01924	*	2	SCREW; 6-32 X .75, THREAD ROLLING SCREWS-ZINC PLATED, HEX WASHER
TER00312	*	15	TERMINAL; 8IN. TIE CABLE
TIE00005	*	5	TIE; WIRE, .06-1.75 DIA
TIE00008	*	15	TIE;CABLE
WIR04337	*	1	WIRE; HARNESS, ICM-LOW VOLTAGE. INCLUDES (2) PLU00538.
WIR04339	*	1	WIRE; HARNESS, ICM-HIGH VOLTAGE. INCLUDES (1) CON00371.
WIR07794C	*	5	(X19210028130) TIE; WIRE NYLON 7.78 INCH 50 LB. .184" W
CON00077		1	CONNECTOR, ELECTRIC GROUND, 14-2 AWG SOLDERLESS
CON00251		1	CONNECTOR; WIRE
CON00371		1	CONNECTOR; 5 PIN MALE
CON00372		1	CONNECTOR; 3 PIN MALE
CNT05641	1	1	CONTROL; AIR PRESSURE, SPST, 28VA PILOT DUTY AT 24 VAC, 125VA PILOT DUTY AT 125VAC, SNAP ACTING CONTACTS, OPERATING TEMP RANGE: -40 TO 190F
WIR05397	2	1	WIRE; HARNESS, CONTROLS. INCLUDES HIGH AND LOW VOLTAGE HARNESSES
TRR01558	4	1	TRANSFORMER; 75VA, 200/230V PRI, 24V SEC, QUICK CONNECTS
CNT03600	5	1	CONTROL; ICM FAN, PWB, 16 PIN
CNT05135	6	1	CONTROL; DUAL STAGE, DIRECT SPARK IGNITION MODULE
RTF00058	7	1	RECTIFIER; BRIDGE
CTR02994	8	1	CONTACTOR; 1 POLE + SHUNT, NO, 40 FLA AT 240V, 50/60 HZ, 40 RES AMPS, 32V COIL, 40 FLA AT 240/277/480/600V
FUS01776	9	1	FUSE; 3.2 AMP, WITH HOLDER AND QUICK CONNECTS

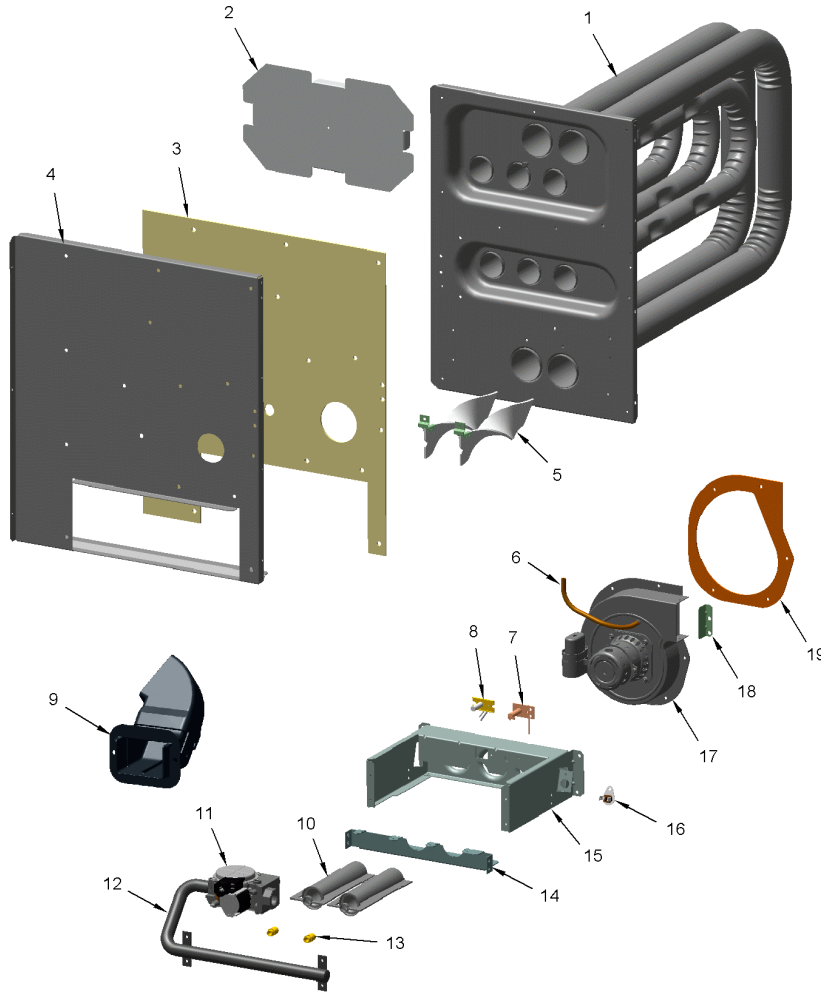
Part No.	Reference No.	Quantity	Description
0000040487~P	*		HEAT EXCHANGER PARTS LIST

HEAT

75010755

REV.  
A

TYPICAL ILLUSTRATION



Part No.	Reference No.	Quantity	Description
GKT04063	*	1	GASKET; COLLECTOR BOX, 20.96 X 14.82
GKT04075	*	1	GASKET; INDUCER BLOWER
ORF01406	*	3	ORIFICE; GAS, .1040 DIA, # 37 DRILL, SPUD
SCR00995	*	15	SCREW; 10-16 AB HXW 3/4 S N
SCR00998	*	3	SCREW; 10-16 B HXW 1/2 S
SCR01009	*	4	SCREW; 10-16 A HXW 3/8 S
SCR01252	*	15	SCREW; 10-16 AB HXW 3/4 S N
SCR01511	*	4	SCREW; 10-16 B HXW 1/2 S
SCR02773	*	1	SCREW; 10-16 AB HXW 3/4 SS
SWT02945	*	1	SWITCH; TEMP, 200 OPEN/CLOSE MANUAL, 25 AMP AT 240V, 125V PILOT DUTY, STAINLESS STEEL
TIE00004	*	2	TIE; WIRE
TUB05375		1	TUBE; CONNECTING PRESSURE SW, 3/16 ID X 9 IN LENGTH
EXC02603	1	1	EXCHANGER; HEAT
SHD00398	2	1	SHIELD; HEAT, STAINLESS STEEL, 12.77 X 7.32
HOD00519	3	1	HOOD; ASSEMBLY, FLUE
BOF01930	4	1	BLOCKOFF; BARRIER-GAS HEAT, 21.16 X 18.30
TRB00121	5a	3	TURBULATOR; AND BRACKET ASSEMBLY
BRK03603	5b	3	BRACKET; TURBULATOR
SEN00297	7	1	SENSOR; FLAME
MFD01334	8	1	MANIFOLD; ASSEMBLY-GAS, INCLUDES (3) ORF01406
MFD01157	9	1	MANIFOLD; GAS
BNR01071	10	3	BURNER; 0.60 ID INSHOT BURNER, 0.036 THK 304 STAINLESS STEEL
VAL09034	11	1	VALVE; GAS, 2 STAGE, 1/2-14 NPT, 24V, 50/60 HZ, "J" SERIES
RIV00064	12	4	RIVET; BLIND, .188 DIA X .277 LG
RSR00357	13	1	RESTRICTOR; FLUE OUTLET, 2.20 L X 0.50 W X 0.62 H
SCR00981	14	26	SCREW, 10-16 AB HXW 1/2 S
BRK04542	15	1	BRACKET; BURNER
SWT01274	16	1	SWITCH;THERMAL LIMIT, OPEN AT 125, CLOSE AT 95 DEG. F
BLW01379	17	1	BLOWER; INDUCER, 208-230/60/1, 2945 RPM, 2 MFD CPT AT 370 VAC, DOES NOT INCLUDE GKT04075
RTR00983	18	1	RETAINER; BURNER, 10.65 L
IGN00135	19	1	IGNITER; ELECTRODE, 22 INCH LEAD

Part No.	Reference No.	Quantity	Description
0000026530~P	*		MODEL NUMBER DESCRIPTION

MODEL NUMBER DESCRIPTION	75011470	REV C
<b>PACKAGED UNITS</b>		
<i>Example Model Number:</i> <b>4 Y C Y 5 0 4 8 A 1 0 9 0 A A</b> 1 - - - 5 - - - 10 - - - 15		
<b>Digit 1 – Refrigerant</b> 4 = R-410A		
<b>Digit 2 – Type</b> Y = Gas Electric W = Heat Pump D = Dual Fuel T = Air Conditioner		
<b>Digit 3 – Model Tier</b> C = Convertible H = Horizontal (only)		
<b>Digit 4 – Model Tier</b> C = Entry Level X = Upgrade Y = Premium Z = Leadership - (2-Stage) A = RunTru Brand		
<b>Digit 5 – Efficiency Tier</b> 3 = 13 SEER 4 = 14 SEER 5 = 15 SEER 6 = 16 SEER		
<b>Digits 6,7,8 – Capacity in 1000's (BTUH)</b> 018      042 024      048 030      060 036		
<b>Digit 9 – Major Design Change</b>		
<b>Digit 10 – Voltage &amp; Phase</b> 1 = 230V 1 Phase 3 = 230V 3 Phase 4 = 460V 3 Phase		
<b>Digit 11,12,13 – Gas Heat Input (MBTU/H)</b> 000 (AC or HP)    075 040                    096 064                    120		
<b>Digit 14 – Minor Design Change</b>		
<b>Digit 15 – Service Digit - Not Orderable</b>		
1 of 1		

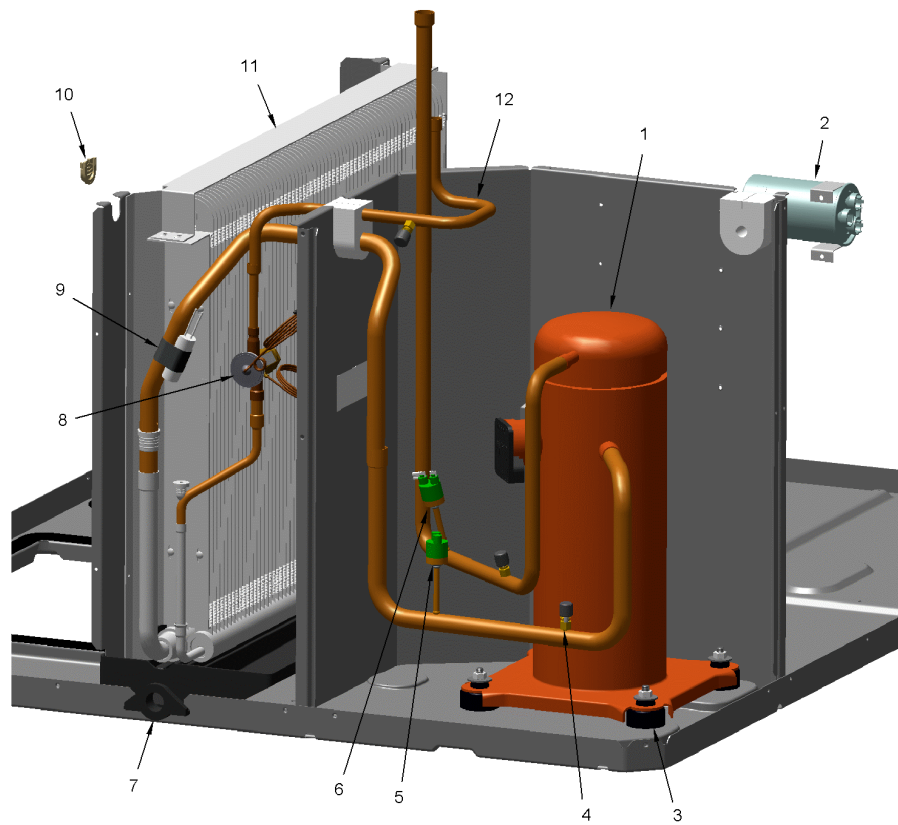
<b>Part No.</b>	<b>Reference No.</b>	<b>Quantity</b>	<b>Description</b>
0000040494~P	*		REFRIGERATION PARTS LIST

REFRIGERATION

75010759

REV.  
A

TYPICAL ILLUSTRATION



Part No.	Reference No.	Quantity	Description
TER00312	*	22	TERMINAL; 8IN. TIE CABLE
TIE00015	*	22	TIE;
TIE00029	*	2	TIE;CABLE
TUB02810	*	14	TUBE; TRANSITION
TUB11547	*	14	TUBE; TRANSITION ASSEMBLY
TUB13600	*	1	TUBE; LIQUID
TUB16200	*	1	TUBE; DISCHARGE
WIR04493	*	1	WIRE; PLUG, SCROLL COMPRESSOR
COL25472		1	COIL; INDOOR, FLAT FIN
CON00251		4	CONNECTOR; WIRE
DST00895		1	DISTRIBUTOR; 5 OUTLETS, 19 ODS, .50 ODM INLET, BRASS
ISR00007		4	ISOLATOR; VIBRATION
KIT08039		4	KIT; GROMMETS. COMPRESSOR MOUNTING. (CONSISTS OF 4), 0.44 ID X 1.63 OD NEOPRENE RUBBER-BLACK 45-55 DUROMETER
NUT00355		4	NUT; HEX, LOCK, 5/16IN.-18
NUT00890		4	NUT; PALLET, 5/16-18 UNC 2B THD.
PAN02764		1	PAN; DRAIN, BLACK PVC, 29.58 X 7.75
PLU00976		1	PLUG; COMPRESSOR SOLENOID, 2-WIRE (WH,WH), 69 IN LENGTH
SCR01510		3	SCREW; 10-16 AB HXW 1/2 SN
SRP00093		1	STRAP;CAPACITOR
COM10799	1	1	COMPRESSOR; SCROLL, ALLIANCE, TXA030C1BTZ, 2.5 TON, 208V-230V/60/1, R-410A, 3/4 SUCTION, 1/2 DISCHARGE, STUB TUBE
CPT00668	2	1	CAPACITOR; DUAL, 440V, 40/5 MFD, ROUND, W/O RESISTOR
RNG01088	2a	22	RING; BRAZE
SCR01511	2b	2	SCREW; 10-16 B HXW 1/2 S
BLT00809	3	4	BOLT; CARRIAGE, 5/16-18 X 1-3/4
GKT01820	3a	4	GASKET; 3/4 OD X 7/16 ID X .06 THK
BOD00114	4	3	BODY; VALVE, BRASS, 7/16 HEX, 7/16 -20 UNF-2A
CAP00455	4a	3	CAP; HUB, 7/16-20 STRAIGHT
COR00103	4b	3	CORE; VALVE, .79 LENGTH, .206-36 UNS-1 MOD. THD
SWT03739	5	1	SWITCH; HIGH PRESSURE, OPEN @ 650 PSIG, CLOSE @ 500 PSIG, 74" BK-YL LEADS, BRAZED
SWT03738	6	1	SWITCH; LOW PRESSURE, OPEN @ 50 PSIG, CLOSE @ 70 PSIG, 69" BLUE LEADS, BRAZED
PAN02888	7	1	PAN; DRAIN, BLACK PVC, 29.58 X 7.75
VAL08716	8	1	VALVE; EXPANSION W/ SWEAT FITTINGS, 3 TON, 3/8 IN INLET X 1/2 IN OUTLET, 91/87 PSIG, R410A
WAS00638	8a	4	WASHER; FLAT, 5/16 INCH
CLP00223	9	1	CLIP; BULB
GRM00103	10	1	GROMMET; SPLIT, COMPRESSOR
COL20446	11	1	COIL; OUTDOOR, SPINE FIN
TUB13267	12	1	TUBE; LIQUID LINE ASSEMBLY