

<b>Part No.</b>	<b>Reference No.</b>	<b>Quantity</b>	<b>Description</b>
0000105554~S	*		BLOWER
0000105556~S	*		BURNER
0000105578~S	*		CABINET - LOWER
0000105577~S	*		CABINET - UPPER
0000105553~S	*		CONTROLS
0000105552~S	*		FAN
0000105549~S	*		GENERAL ASSEMBLY
0000105555~S	*		HEAT EXCHANGER
0000105579~S	*		MODEL NUMBER DESCRIPTION
0000105580~S	*		OPTIONAL ACCESSORIES
0000105550~S	*		OUTDOOR COIL
0000105551~S	*		REFRIGERATION

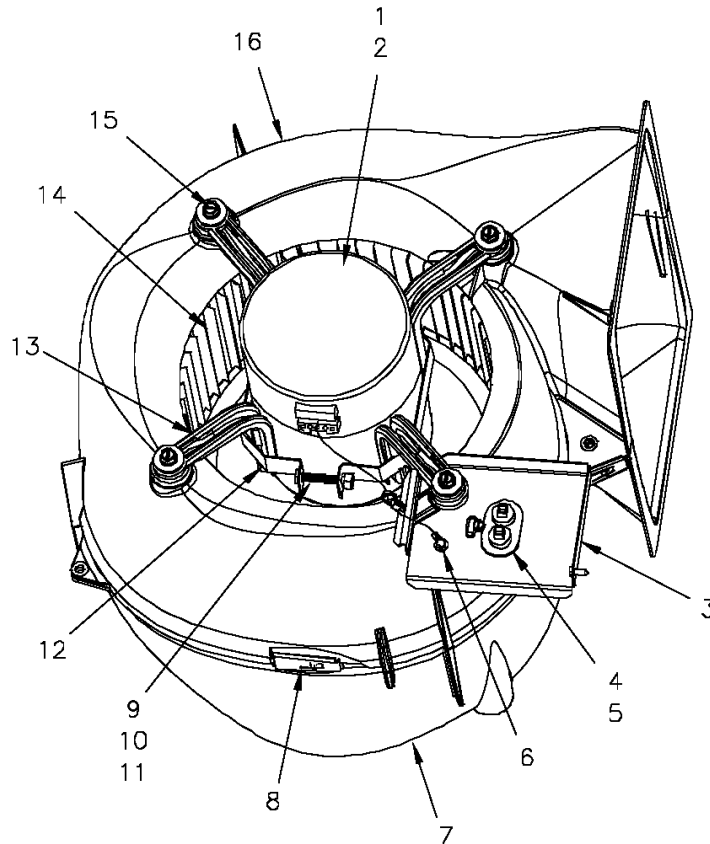
Part No.	Reference No.	Quantity	Description
0000010796~P	*		BLOWER PARTS LIST

Blower

75008695

REV  
A

Typical illustration. Unit may not appear exactly as shown.



Part No.	Reference No.	Quantity	Description
BLW01009	*	1	BLOWER; ASSEMBLY, COMPLETE
MOD01580	1	1	MODULE; ELECTRONIC MOTOR CONTROL, VARIABLE SPEED PROGRAMMED
MOT12694	2	1	MOTOR; VARIABLE SPEED, 1.0 HP, 208-230/60/1, CW, 6.9 AMPS. (PROGRAMMED MOTOR/MODULE COMBINATION). FOR ELECTRONIC MODULE ONLY USE MOD01580
BRK03543	3	1	BRACKET; BLOWER RETAINER, 4.32 X 5.64
SCR00998	4	1	SCREW; 10-16 B HXW 1/2 S
CPT00088	5	1	CAPACITOR; RUN, 10 MFD, 440V OVAL, W/O RESISTOR
SCR00968	6	1	SCREW; 10-16 HEX WASHER, TYPE B, THREAD FORMING SCREW, 0.31 THREAD LENGTH, STEEL W/ZINC FINISH
HUS03825	7	1	HOUSING; BLOWER RIGHT SIDE WITHOUT MOUNTING HOLES, MOLDED GLASS FIBER POLYESTER, COLOR: NATURAL
CLP01088	8	4	CLIP; CLEAT-BLOWER
SCR01584	9	1	BOLT; 1/4-20 MA HX 1.5 S
NUT00487	10	1	NUT; STEEL HEX, 1/4-20
WAS00646	11	1	WASHER; STEEL SPRING LOCK, 1/4 INCH
BND00026	12	1	BAND; MOTOR MOUNT
BRK03396	13	4	BRACKET; ARM-MOTOR
WHL02557	14	1	WHEEL; BLOWER, 53 BLADES, CCW, CONCAVE DISC, 11.75 X 10.62
SCR02112	15	4	SCREW; ASSEMBLY-MOTOR MOUNT
HUS03824	16	1	HOUSING; BLOWER LEFT SIDE WITH 4 MOUNTING HOLES, MOLDED GLASS FIBER POLYESTER, COLOR: NATURAL

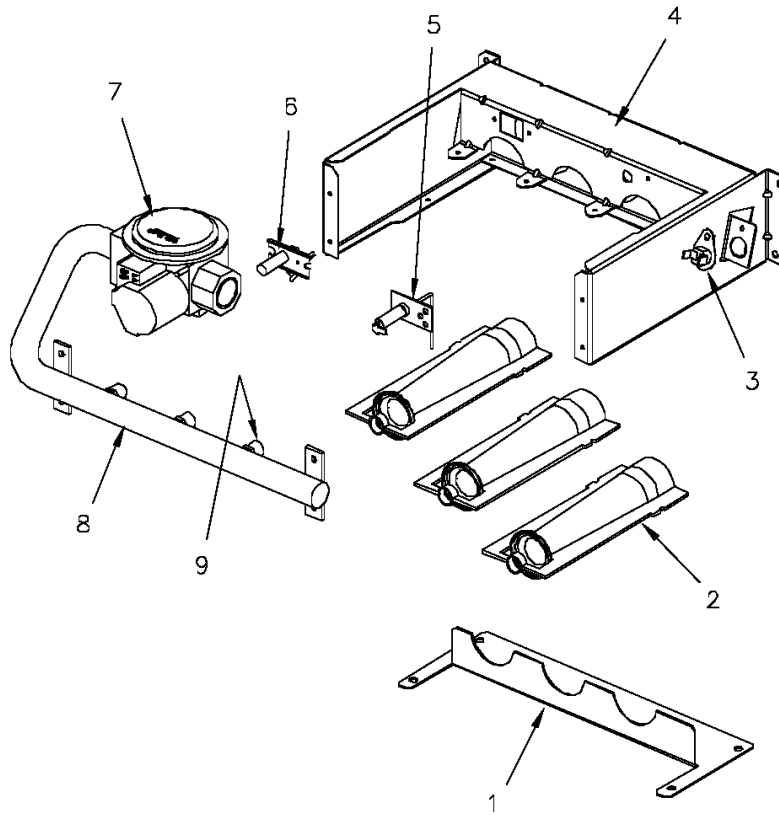
Part No.	Reference No.	Quantity	Description
0000010811~P	*		BURNER PARTS LIST

Burner

75008704

REV  
A

Typical illustration. Unit may not appear exactly as shown.



Part No.	Reference No.	Quantity	Description
RTR00833	1	1	RETAINER; BURNER, 10.53 L
BNR01071	2	3	BURNER; 0.60 ID INSHOT BURNER, 0.036 THK 304 STAINLESS STEEL
SWT02945	3	1	SWITCH; TEMP, 200 OPEN/CLOSE MANUAL, 25 AMP AT 240V, 125V PILOT DUTY, STAINLESS STEEL
BRK03606	4	1	BRACKET; BURNER
SEN00297	5	1	SENSOR; FLAME
IGN00135	6	1	IGNITER; ELECTRODE, 22 INCH LEAD
VAL09034	7	1	VALVE; GAS, 2 STAGE, 1/2-14 NPT, 24V, 50/60 HZ, "J" SERIES
MFD01333	8	1	MANIFOLD; ASSEMBLY-GAS, INCLUDES (3) ORF01307
ORF01307	9	3	ORIFICE; GAS, .116 DIA, # 32 DRILL, SPUD

Part No.	Reference No.	Quantity	Description
0000010797~P	*		CABINET - LOWER PARTS LIST

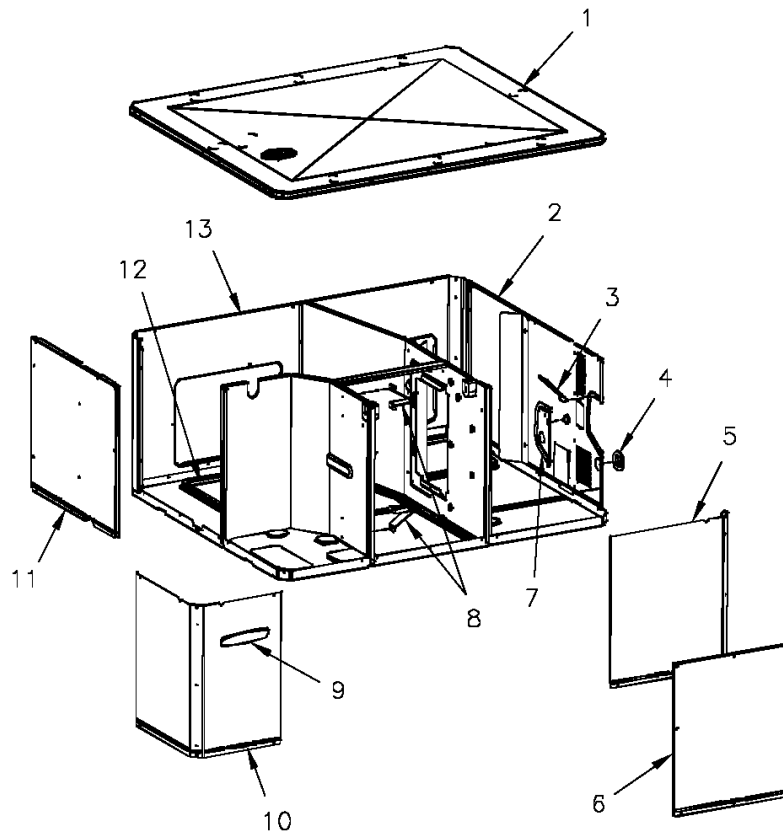
Cabinet

75008399

REV  
A

lower

Typical illustration. Unit may not appear exactly as shown.



View is determined by facing Appearance Nameplate

Part No.	Reference No.	Quantity	Description
BAF01248	*	1	BAFFLE; AIR, 18 IN HIGH
GRM00118	*	1	GROMMET; 3/16 IN ID, NEOPRENE
GRM00129	*	2	GROMMET; SCREW
HOD00519	*	1	HOOD; ASSEMBLY, FLUE
PNL26625	*	1	PANEL; BLOWER BARRIER, 44.05 X 21.15
PNL28755	*	1	PANEL; COMPRESSOR BARRIER, 27.22 W X 21.15 H
SHD00424	*	1	SHIELD; LOUVER, BOTTOM, 6.0 X 4.0
COV03697	1	1	COVER; INDOOR, TOP, 58.33 X 44.08
PNL22183	2	1	PANEL; GAS HEAT ACCESS, 39.00 X 20.91
SHD00397	3	1	SHIELD; LOUVER, TOP, 5.0 X 1.9
BUS00616	4	1	BUSHING; 1.62 DIA
PNL22000	5	1	PANEL; CONTROL/HEAT ACCESS, 17.93 X 20.70
PNL22014	6	1	PANEL; BLOWER ACCESS, 27.36 X 20.70
PNL22042	7	1	PANEL; GAS HEAT, 7.81 X 4.50
BRK03544	8	2	BRACKET; BLOWER SUPPORT, U-SHAPED, 3.00 X 2.00 X 2.83
PLT04289	9	1	PLATE; APPEARANCE, TRANE, XL14C, 9.0 X 1.8
PNL21998	10	1	PANEL; COMPRESSOR ACCESS, 20.7 X 12.7 & 20.7 X 15.5
PNL22040	11	1	PANEL; INDOOR COIL ACCESS, 25.42 X 20.70
COV03699	12	2	COVER; SUPPLY AND RETURN, 17.88 X 14.88
PNL22193	13	1	PANEL; SUPPLY AND RETURN, 58.13 X 20.88

Part No.	Reference No.	Quantity	Description
0000010799~P	*		CABINET - UPPER PARTS LIST

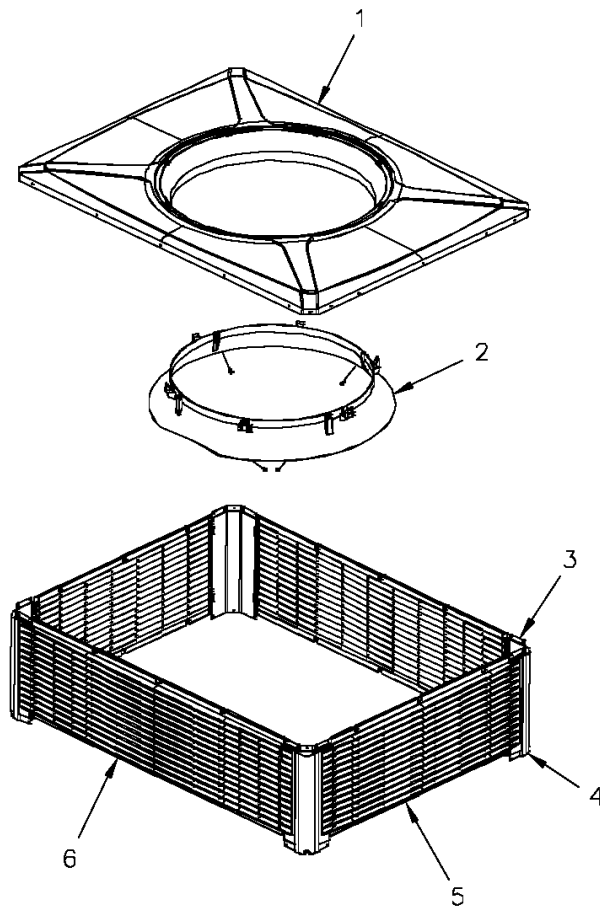
Cabinet

75008693

REV  
A

upper

Typical illustration. Unit may not appear exactly as shown.



Part No.	Reference No.	Quantity	Description
BRK03610	*	16	BRACKET; PLASTIC LOUVER, 2.0 X .63 X .53
RIV00096	*	4	RIVET; BLIND, STAINLESS STEEL
SUP05014	*	3	SUPPORT; OD COIL, BOTTOM, 4X4, INCLUDES GASKET
SUP05015	*	3	SUPPORT; OD COIL, TOP, 4X4, INCLUDES GASKET
TUB12257	*	3	TUBE; SUPPORT, TOP PIPE, .75 DIA, SCHEDULE 40 GREY PVC, 18.46 INCHES
COV03695	1	1	COVER; OUTDOOR, TOP, 58.33 X 44.08
ORF01443	2	1	ORIFICE; INLET, 34.12 OUTSIDE DIA, 28.28 INSIDE DIA
PNL22004	3	4	PANEL; CORNER POST, 17.84 H
GRD01915	4	4	GUARD; BUMPER, UPPER CORNER, 16.81 H X 6.83 W
PNL22192	5	2	PANEL; PLASTIC LOUVER, 53.12 X 17.40 - INCLUDES SPEED NUTS AND MOUNTING BRACKETS.
PNL22188	6	2	PANEL; PLASTIC LOUVER, 38.86 X 17.40 - INCLUDES SPEED NUTS AND MOUNTING BRACKETS.

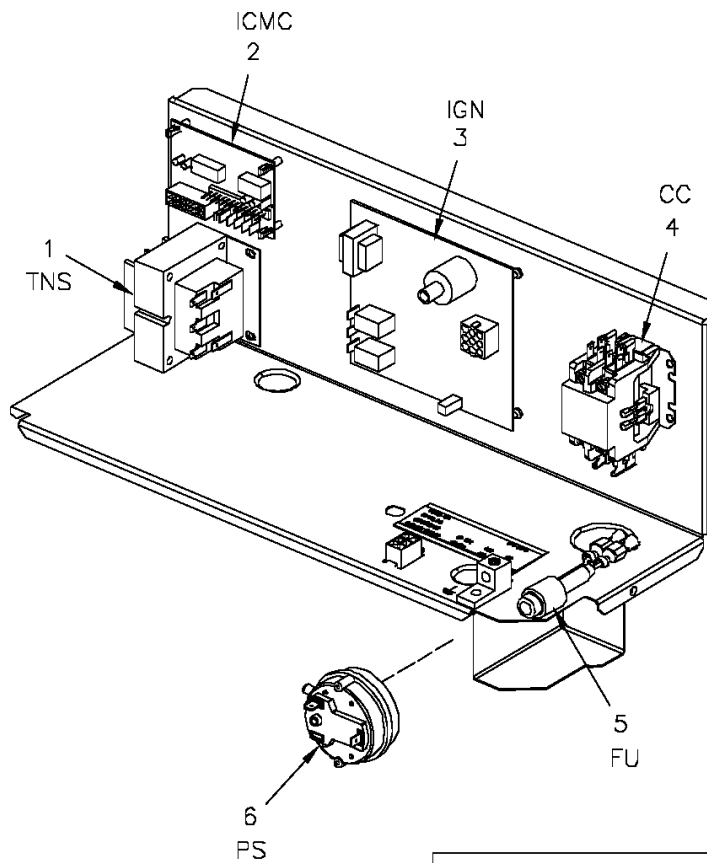
Part No.	Reference No.	Quantity	Description
0000010787~P	*		CONTROLS PARTS LIST

Controls

75008706

REV  
A

Typical illustration. Unit may not appear exactly as shown.



LEGEND	
CC	Compressor Motor Coil
FU	Fuse
ICMC	Integrated Commuted Motor Control
IGN	Ignition Control Module
PS	Pressure Switch
TNS	Transformer

Part No.	Reference No.	Quantity	Description
LUG00014	*	1	LUG, GROUND
WIR07815	*	1	WIRE; HARNESS, CONTROL
TRR01558	1	1	TRANSFORMER; 75VA, 200/230V PRI, 24V SEC, QUICK CONNECTS
CNT03600	2	1	CONTROL; ICM FAN, PWB, 16 PIN
CNT05135	3	1	CONTROL; DUAL STAGE, DIRECT SPARK IGNITION MODULE
CTR01333	4	1	CONTACTOR; 2 POLE, NO, 40 FLA AT 240V, 50/60 HZ, 50 RES AMPS, 24V COIL, 40 FLA AT 277/480/600V
FUS01776	5	1	FUSE; 3.2 AMP, WITH HOLDER AND QUICK CONNECTS
CNT05641	6	1	CONTROL; AIR PRESSURE, SPST, 28VA PILOT DUTY AT 24 VAC, 125VA PILOT DUTY AT 125VAC, SNAP ACTING CONTACTS, OPERATING TEMP RANGE: -40 TO 190F

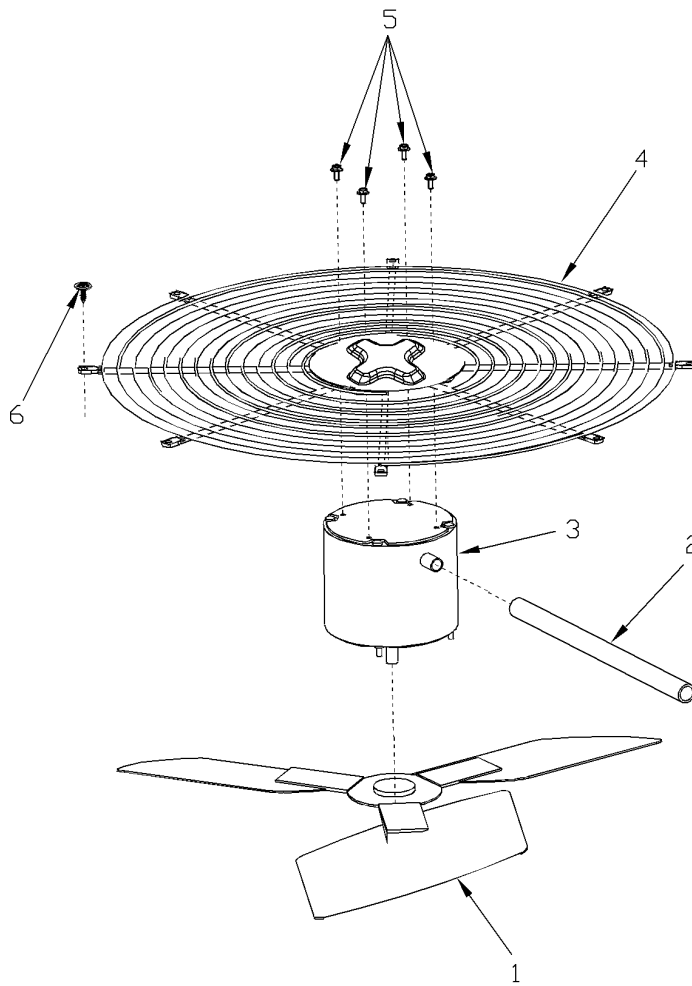
Part No.	Reference No.	Quantity	Description
0000010804~P	*		FAN PARTS LIST

FAN

75005599

REV  
A

Typical Illustration. Unit may not appear exactly as shown.



Part No.	Reference No.	Quantity	Description
FAN03907	1	1	FAN; SWEPT BLADE, 3 BLADE, ALUMINUM, 28.25" DIA, 30 DEGREES PITCH, 0.50" BORE, CCW, 1 SET SCREW-STEEL, FINISH/PAINT
GRD01440	2	1	GUARD; TROUGH-LEAD
MOT13834	3	1	MOTOR; OUTDOOR, 1/3 HP, 200-230/60/1, 825 RPM, TYPE PSC, CCW, BALL BEARINGS, 10 MFD CPT AT 370V
GRL01530	4	1	GRILL; OUTDOOR FAN, 30.64 IN MOUNTING DIA
SCR02086	5	4	SCREW; 10-32 TR-3 HXW 3/8 S

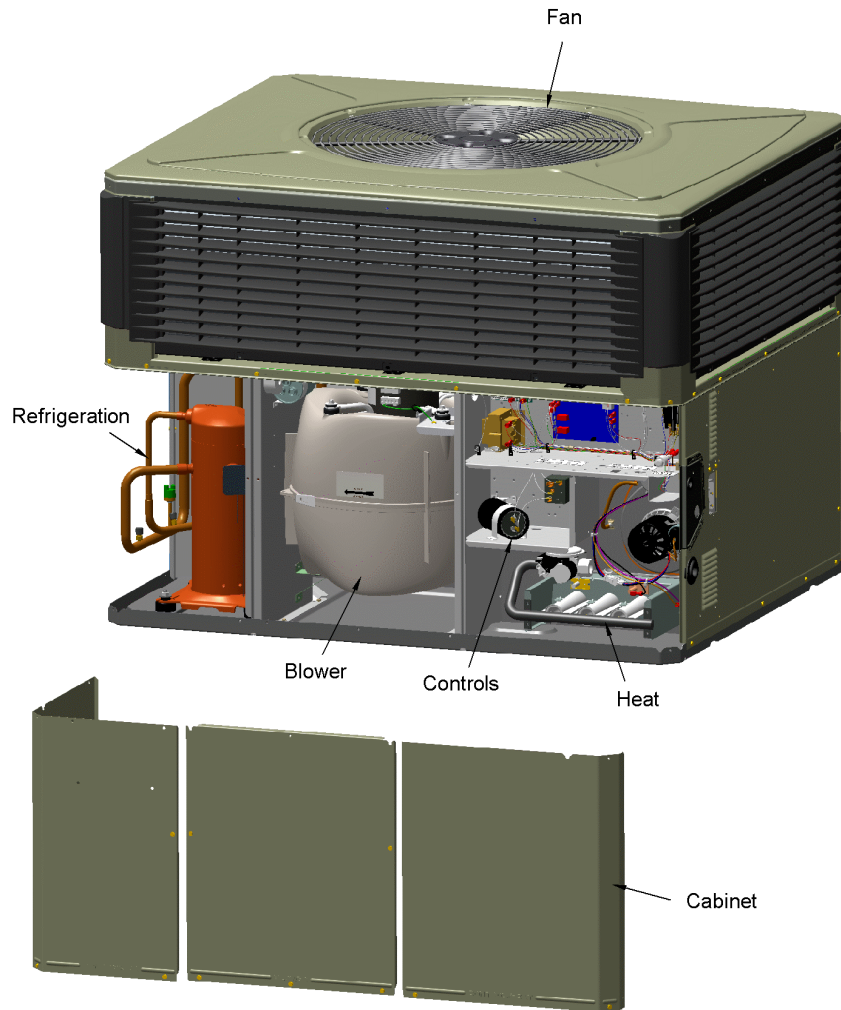
Part No.	Reference No.	Quantity	Description
000008976~P	*		GENERAL ASSEMBLY GRAPHIC

PACKAGED UNITS

75010835

REV.  
A

TYPICAL ILLUSTRATION



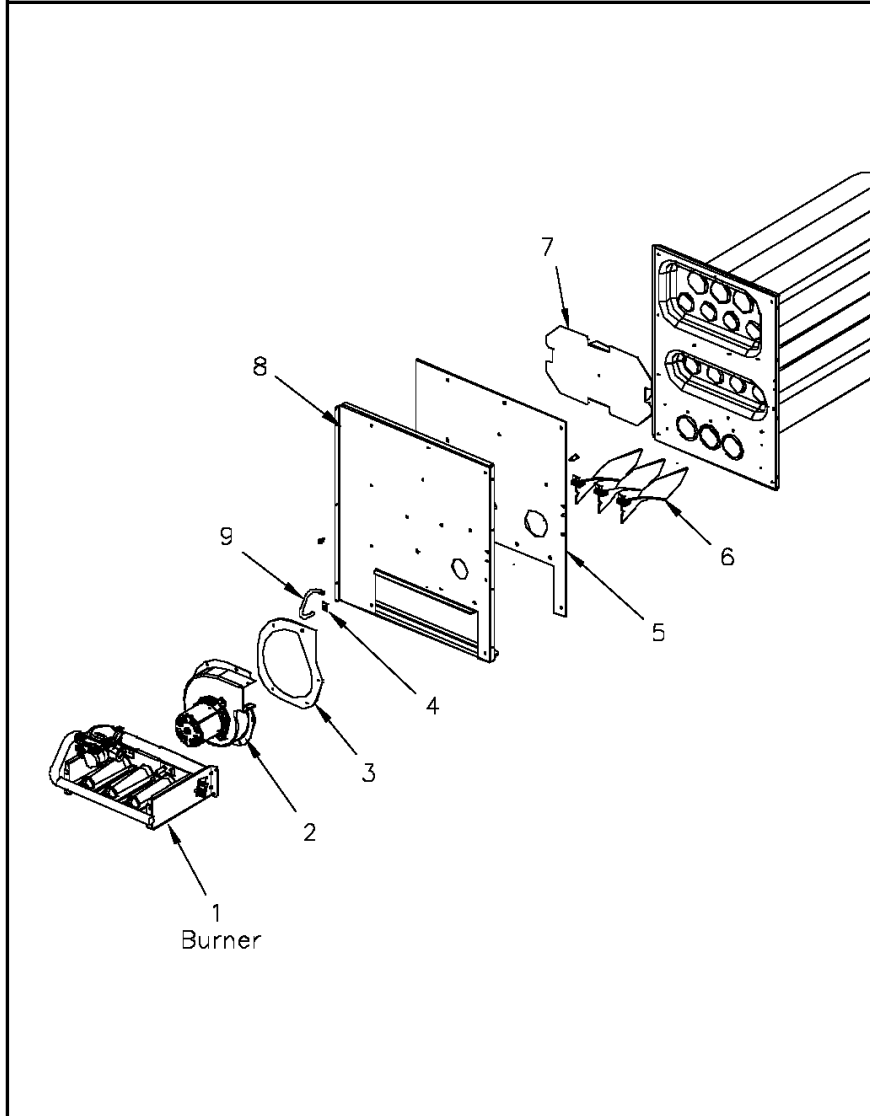
Part No.	Reference No.	Quantity	Description
0000010808~P	*		HEAT EXCHANGER PARTS LIST

Heat

75008402

REV  
A

Typical illustration. Unit may not appear exactly as shown.



Part No.	Reference No.	Quantity	Description
BRK03603	*	3	BRACKET; TURBULATOR
EXC02001	*	1	EXCHANGER; HEAT
THT02546	*	1	THERMOSTAT; LIMIT SWITCH, OPEN AT 140F, CLOSE AT 110F
BLW01311	2	1	BLOWER; INDUCER, 208-230/60/1, 2800/1500 RPM, 1/39 HP, 0.25 AMPS, 2 MFD CPT AT 370 VAC, 3 PIN CONNECTOR, INCLUDES GKT04075.
GKT04075	3	1	GASKET; INDUCER BLOWER
CLP00940	4	1	CLIP; STATIC, RETAINER, .80 X .56 X .022
GKT04063	5	1	GASKET; COLLECTOR BOX, 20.96 X 14.82
TRB00121	6	3	TURBULATOR; AND BRACKET ASSEMBLY
SHD00398	7	1	SHIELD; HEAT, STAINLESS STEEL, 12.77 X 7.32
BOF01930	8	1	BLOCKOFF; BARRIER-GAS HEAT, 21.16 X 18.30
TUB05375	9	1	TUBE; CONNECTING PRESSURE SW, 3/16 ID X 9 IN LENGTH

Part No.	Reference No.	Quantity	Description
000008616~P	*		MODEL NUMBER GRAPHIC

MODEL NUMBER DESCRIPTION  
PACKAGED UNITS

75011470

REV  
C

*Example Model Number:*  
**4 Y C Y 5 0 4 8 A 1 0 9 0 A A**  
1 - - - 5 - - - 10 - - - 15

**Digit 1 – Refrigerant**  
4 = R-410A

**Digit 2 – Type**  
Y = Gas Electric  
W = Heat Pump  
D = Dual Fuel  
T = Air Conditioner

**Digit 3 – Model Tier**  
C = Convertible  
H = Horizontal (only)

**Digit 4 – Model Tier**  
C = Entry Level  
X = Upgrade  
Y = Premium  
Z = Leadership - (2-Stage)  
A = RunTru Brand

**Digit 5 – Efficiency Tier**  
3 = 13 SEER  
4 = 14 SEER  
5 = 15 SEER  
6 = 16 SEER

**Digits 6,7,8 – Capacity in 1000's (BTUH)**  
018      042  
024      048  
030      060  
036

**Digit 9 – Major Design Change**

**Digit 10 – Voltage & Phase**  
1 = 230V 1 Phase  
3 = 230V 3 Phase  
4 = 460V 3 Phase

**Digit 11,12,13 – Gas Heat Input (MBTU/H)**  
000 (AC or HP)    075  
040                    096  
064                    120

**Digit 14 – Minor Design Change**

**Digit 15 – Service Digit - Not Orderable**

Part No.	Reference No.	Quantity	Description
0000010845~P	*		OPTIONAL ACCESSORIES LIST

Part No.	Reference No.	Quantity	Description
BAYUV102A	*	1	36 WATT UV LIGHT KIT FOR MEDIUM PACKAGED UNITS
ECN00112	*	1	ECONOMIZER; DOWN DISCHARGE, AND RAIN HOOD(BAYECON102AA)
ECN00114	*	1	ECONOMIZER; HORIZONTAL (BAYECON201AA)
KIT03361	*	1	KIT; LIFTING LUGS-BAYLIFT002B (CTN = 6 PIECES)
KIT06658	*	1	KIT; ENTHALPY CONTROL (BAYENTH001AB)
KIT13553	*	1	KIT; CURB ADAPTER (BAYADAP052AA)
KIT13554	*	1	KIT; CURB ADAPTER (BAYADAP053AA)
KIT13555	*	1	KIT; CURB ADAPTER (BAYADAP054AA)
KIT13557	*	1	KIT; CRANKCASE HEATER, 230V SCROLL COMPRESSORS (BAYCCHT102AA) 6.5-7.5 DIA, 60W, 110L
KIT13559	*	1	KIT; 12 INCH DUCT SHROUD COVERS HORIZONTAL (BAYCOVR112AA)
KIT13560	*	1	KIT; 18 INCH DUCT SHROUD COVERS HORIZONTAL (BAYCOVR118AA)
KIT13562	*	1	KIT; FULL PERIMETER ROOF MOUNTING CURB (BAYCURB051AA)
KIT13564	*	1	KIT; OUTSIDE AIR, 2 POS DAMPER (BAYDMPR102AA)
KIT13565	*	1	KIT; EXTREME CURB MOUNTING (BAYEXMK001AA)
KIT13567	*	1	KIT; EXTREME CURB MOUNTING (BAYEXMK003AA)
KIT13568	*	1	KIT; LP CONVERSION (BAYLPKT100AA)
KIT13572	*	1	KIT; OUTSIDE AIR, MANUAL DAMPER (BAYOSAH002AA)
KIT13574	*	1	KIT; QUICK START (BAYQSTK301AA)
KIT13576	*	1	KIT; SQUARE/ROUND DUCT ADAPTER (BAYSQRD002AA)
KIT13650	*	1	KIT; UNCASSED COIL ENCLOSURE ASSEMBLY, 22.63 X 17.50 X 21.50, BAYCLE17A1722AA
KIT15097	*	1	KIT; FILTER FRAME (BAYFLTR201BA). USE (1) 20 X 20, PLUS (1) 20 X 18 FILTER - NOT INCLUDED.
KIT15142	*	1	KIT; ACCESS DOOR, 3-1/2 TO 5 TON MODELS (BAYACCDOR2AA)
KIT15323	*	1	KIT; EXTREME CURB MOUNTING (BAYEXMK002BA)
KIT15325	*	1	KIT; SQUARE/ROUND DUCT ADAPTER (BAYUTIL101BA)
KIT15326	*	1	KIT; ROOF CURB UTILITY EXTENSION KIT (BAYUTIL102BA)
KIT15404	*	1	KIT; ECONOMIZER, HINGED FILTER ACCESS DOOR AND FILTER FRAME (BAYECONCOMB102A)
TMR00140	*	1	TIMER; ANTISHORT CYCLE (BAYASCT001)

OUTDOOR COIL

Parts List Number :0000105548

Model Number :4YCY4060A1120BA

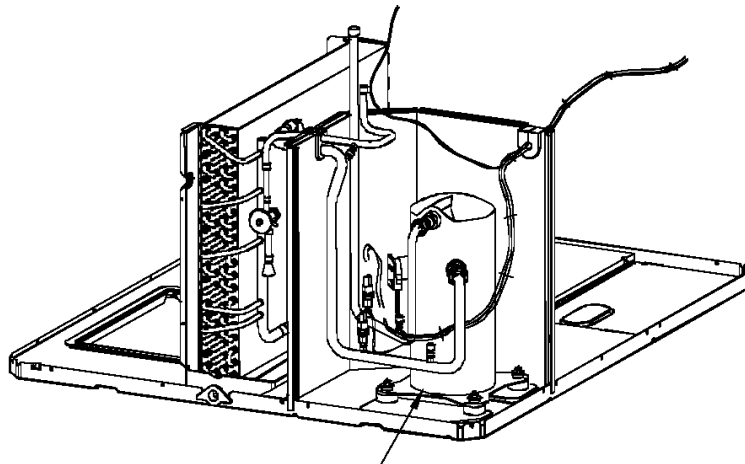
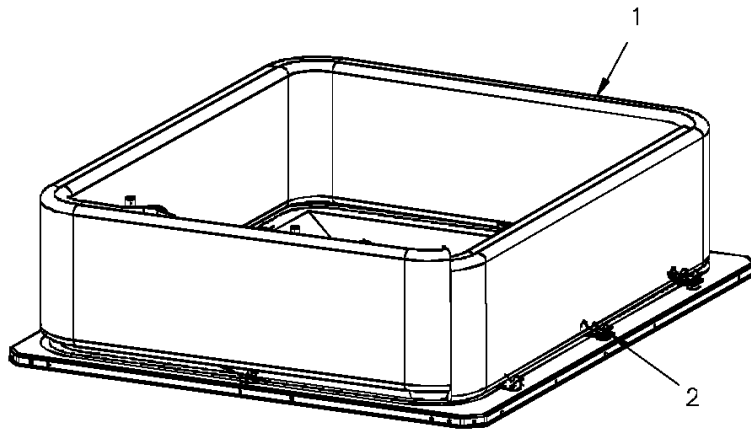
Part No.	Reference No.	Quantity	Description
0000010812~P	*		OUTDOOR COIL PARTS LIST

Refrigeration

75008392

REV  
A

Typical illustration. Unit may not appear exactly as shown.

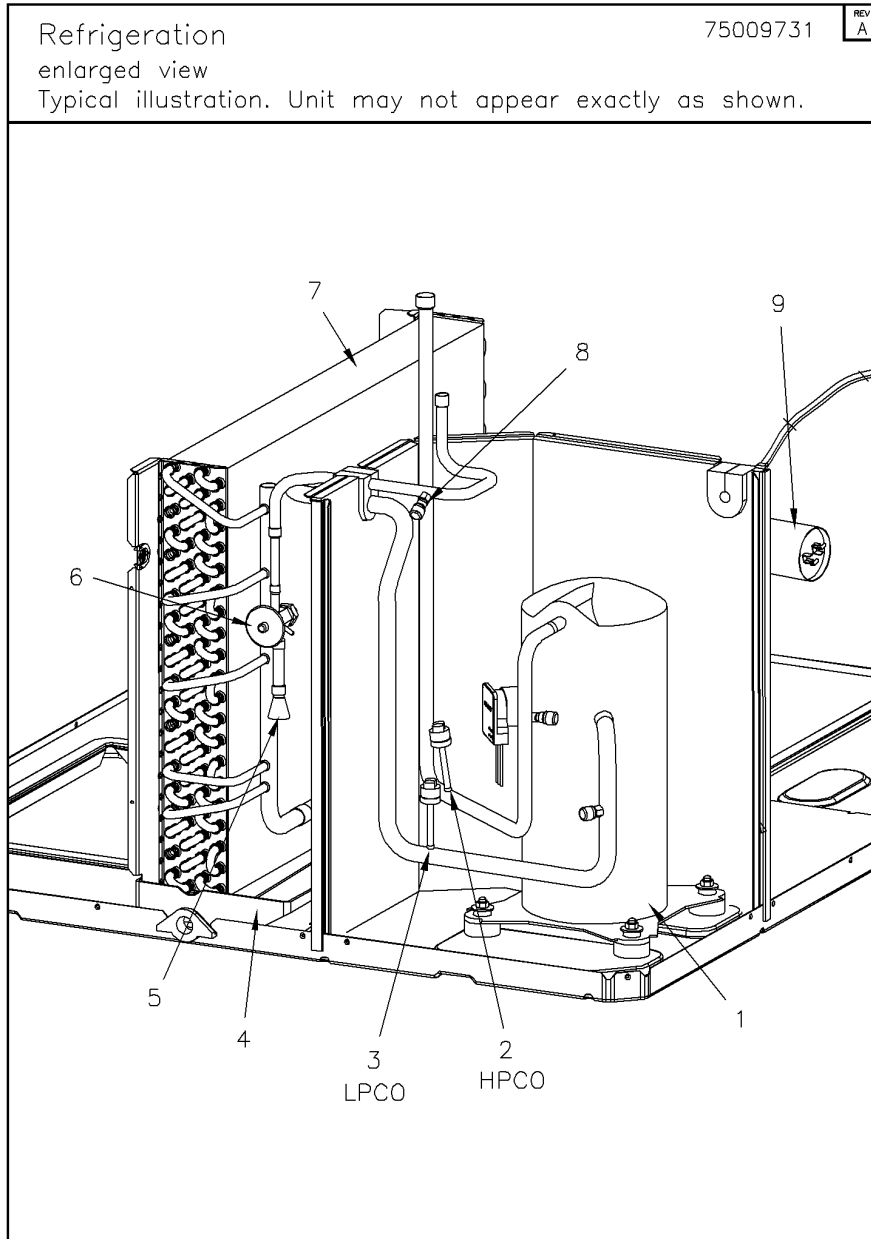


3

Enlarged View

Part No.	Reference No.	Quantity	Description
DHY01456	*	1	DRIER; LIQUID LINE; SERVICE FIRST; 5 CU. IN.; DCL054/3S, 1/2 ODF INLET X 3/8 ODF OUTLET; 5.4 TON CAPACITY; APPROVED FOR MINERAL OIL AND POE OIL REFRIG
COL19225	1	1	COIL; OUTDOOR, SPINE FIN
SPC00391	2	8	SPACER; OUTDOOR COIL, 2.50 X 1.31. INCLUDES GASKET.

<b>Part No.</b>	<b>Reference No.</b>	<b>Quantity</b>	<b>Description</b>
0000010841~P	*		REFRIGERATION PARTS LIST



Part No.	Reference No.	Quantity	Description
BLT00809	*	4	BOLT; CARRIAGE, 5/16-18 X 1-3/4
BOD00114	*	3	BODY; VALVE, BRASS, 7/16 HEX, 7/16 -20 UNF-2A
GKT01820	*	4	GASKET; 3/4 OD X 7/16 ID X .06 THK
ISR00007	*	4	ISOLATOR; VIBRATION
NUT00355	*	4	NUT; HEX, LOCK, 5/16IN.-18
NUT00890	*	4	NUT; PALLET, 5/16-18 UNC 2B THD.
WAS00638	*	4	WASHER; FLAT, 5/16 INCH
WIR04495	*	1	WIRE; PLUG, SCROLL COMPRESSOR, 3-WIRE (BK,OR,RD), 72 IN TOTAL LENGTH
COM10071	1	1	COMPRESSOR; SCROLL, SXA051B1BPZ, 4.2 TONS, 208-230/60/1, R410A, BRAZED-STUB TUBE, RED
SWT03697	2	1	SWITCH; HIGH PRESSURE, SPST, OPEN @ 650 PSIG, CLOSE @ 500 PSIG, 74" LEAD
SWT03694	3	1	SWITCH; LOW PRESSURE, OPEN @ 50 PSIG, CLOSE @ 70 PSIG, 69" LEADS
PAN02889	4	1	PAN; DRAIN, BLACK PVC, 35.70 X 7.75
DST00898	5b	1	DISTRIBUTOR; 8 OUTLETS, 19 ODS, .50 ODM INLET, BRASS
TUB11686	5c	1	TUBE; ASSEMBLY, INDOOR DISTRIBUTOR
VAL08717	6a	1	VALVE; EXPANSION W/ SWEAT FITTINGS, 6 TON, 3/8 IN INLET X 1/2 IN OUTLET, 92/88 PSIG, R410A
TUB11763	6b	1	TUBE; ASSEMBLY, INDOOR FLOW CONTROL, R410A
COL13505	7	1	COIL; INDOOR, FLAT FIN
CAP00455	8a	3	CAP; HUB, 7/16-20 STRAIGHT
COR00103	8b	3	CORE; VALVE, .79 LENGTH, .206-36 UNS-1 MOD. THD
CPT00088	9a	1	CAPACITOR; RUN, 10 MFD, 440V OVAL, W/O RESISTOR
CPT01233	9b	1	CAPACITOR; 70 MFD, 440V, ROUND, W/O RESISTOR