

General Assembly

75008387

REV
A

Typical illustration. Unit may not appear exactly as shown.



| Part No. | Reference No. | Quantity | Description |
|----------------------------|----------------------|-----------------|--------------------------------------|
| 75008387_4YCY4UP1_253584~P | * | | 4YCY4UP1 PARTS LIST |
| 75008695#4YCY4UP1~S | * | | BLOWER |
| 75008397#4YCY4UP1~S | * | | CABINET |
| 75008706#4YCY4UP1~S | * | | CONTROLS |
| 75005599#4YCY4UP1~S | * | | FAN |
| 75008402#4YCY4UP1~S | * | | HEAT |
| 75008692#4YCY4UP1~S | * | | MODEL NOMENCLATURE |
| NGRAPHIC#4YCY4UP1~S | * | | OPTIONAL FIELD INSTALLED ACCESSORIES |
| 75008392#4YCY4UP1~S | * | | REFRIGERATION |

General Assembly

75008387

REV
A

Typical illustration. Unit may not appear exactly as shown.

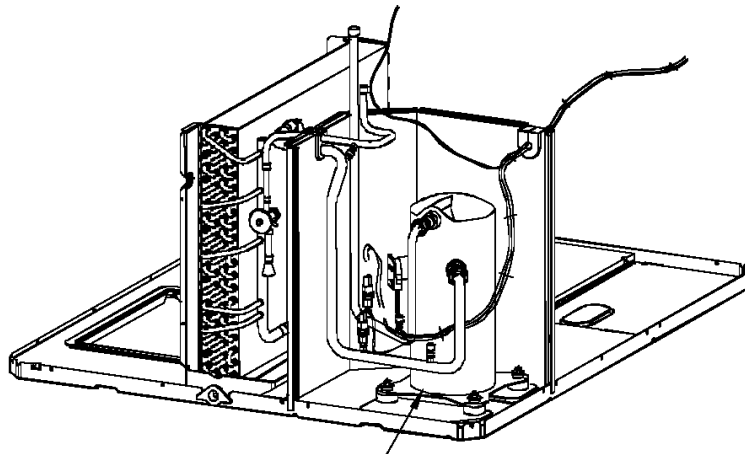
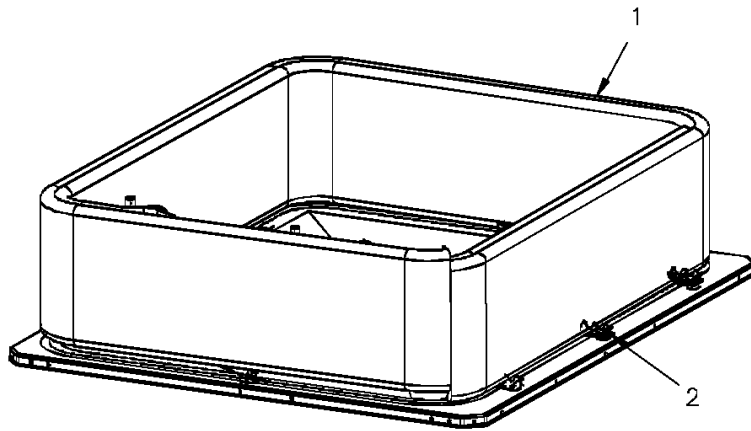


Refrigeration

75008392

REV
A

Typical illustration. Unit may not appear exactly as shown.



3

Enlarged View

Parts List Number :75008387#4YCY4UP1

Model Number :4YCY4048B1120BA

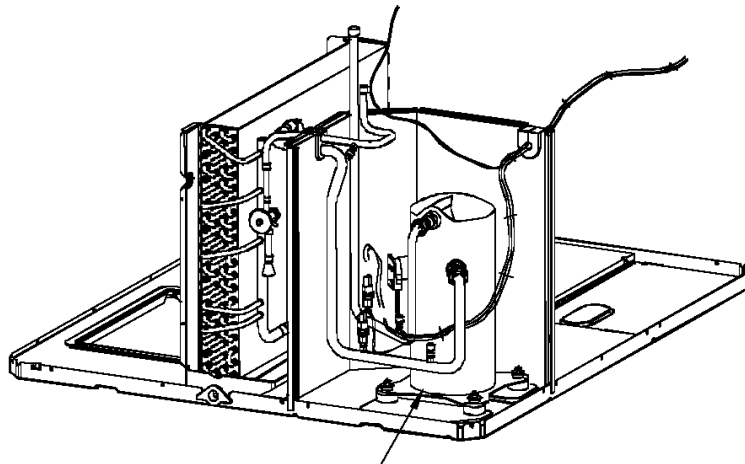
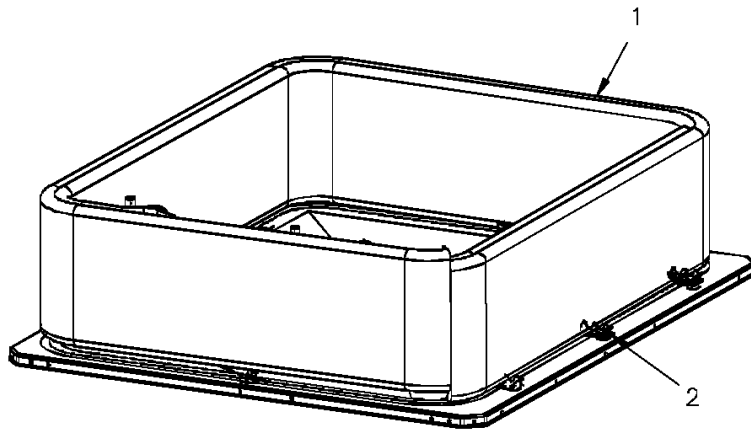
| Part No. | Reference No. | Quantity | Description |
|----------------------------|----------------------|-----------------|--------------------------|
| 75009731#4YCY4UP1~S | * | | ENLARGED VIEW |
| 75008392_4YCY4UP1_298271~P | * | | REFRIGERATION PARTS LIST |

Refrigeration

75008392

REV
A

Typical illustration. Unit may not appear exactly as shown.



3

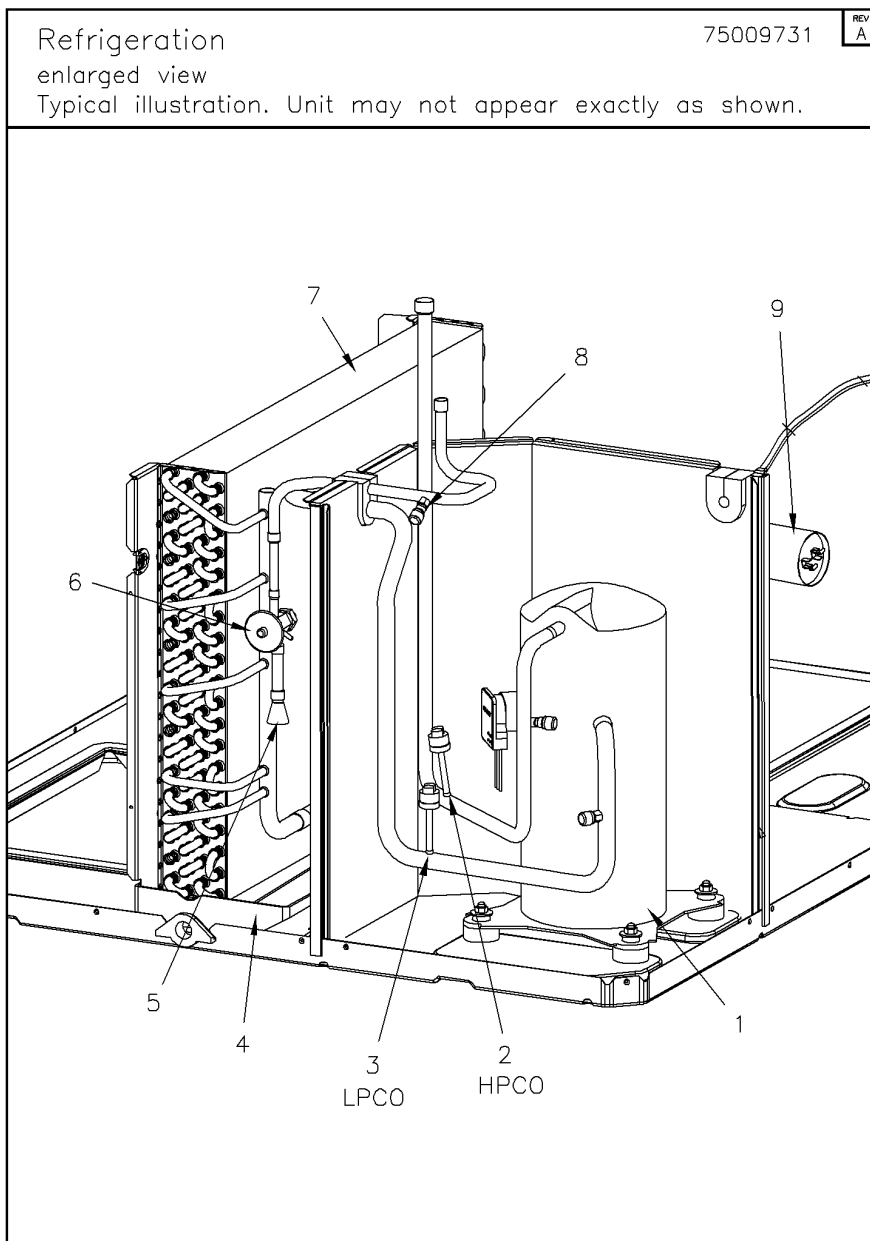
Enlarged View

REFRIGERATION PARTS LIST

Parts List Number :75008387#4YCY4UP1

Model Number :4YCY4048B1120BA

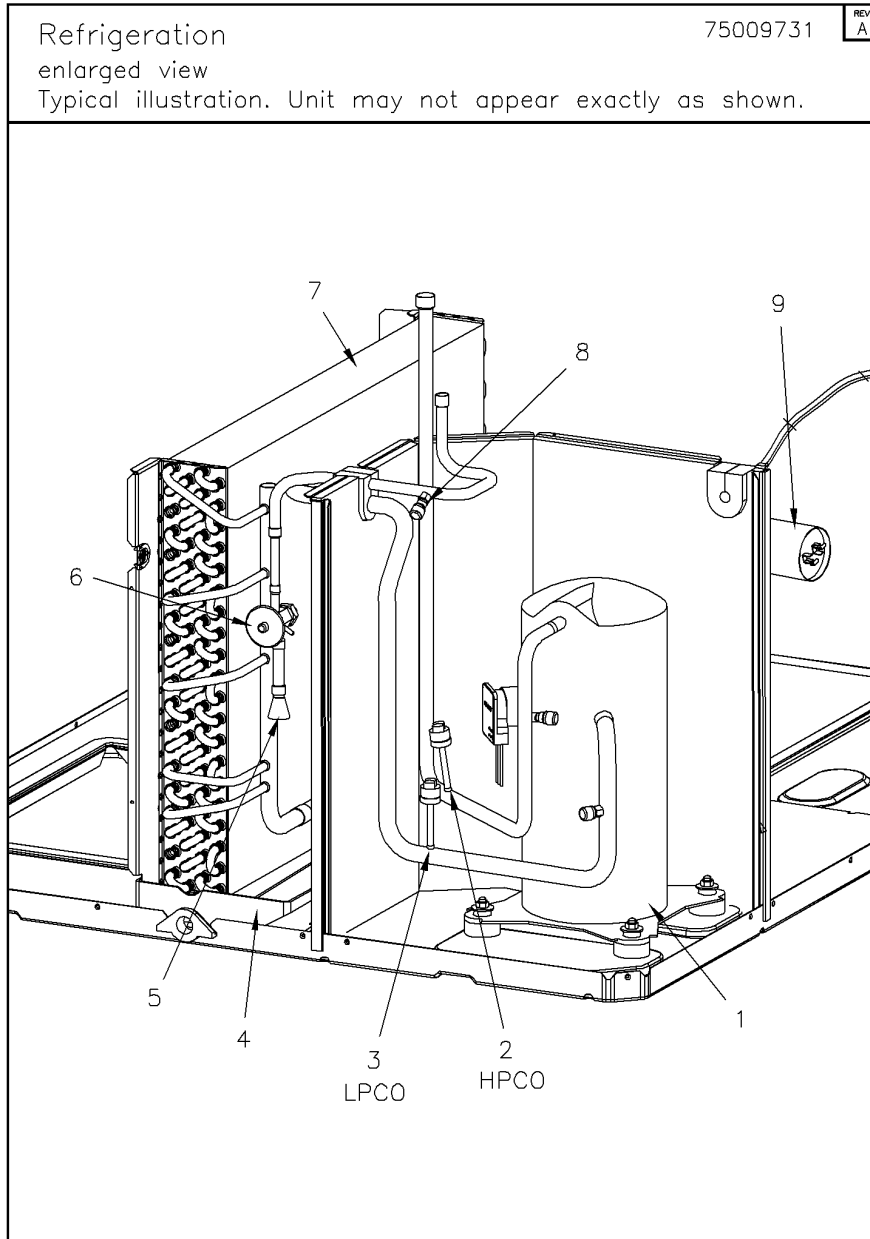
| Part No. | Reference No. | Quantity | Description |
|----------|---------------|----------|--|
| DHY01456 | * | 1 | DRIER; LIQUID LINE; SERVICE FIRST; 5 CU. IN.; DCL054/3S, 1/2 ODF INLET X 3/8 ODF OUTLET; 5.4 TON CAPACITY; APPROVED FOR MINERAL OIL AND POE OIL REFRIG |
| COL19227 | 1 | 1 | COIL; OUTDOOR, SPINE FIN |
| SPC00391 | 2 | 8 | SPACER; OUTDOOR COIL, 2.50 X 1.31. INCLUDES GASKET. |



Parts List Number :75008387#4YCY4UP1

Model Number :4YCY4048B1120BA

| Part No. | Reference No. | Quantity | Description |
|----------------------------|---------------|----------|--------------------------|
| 75009731_4YCY4UP1_353106~P | * | | ENLARGED VIEW PARTS LIST |



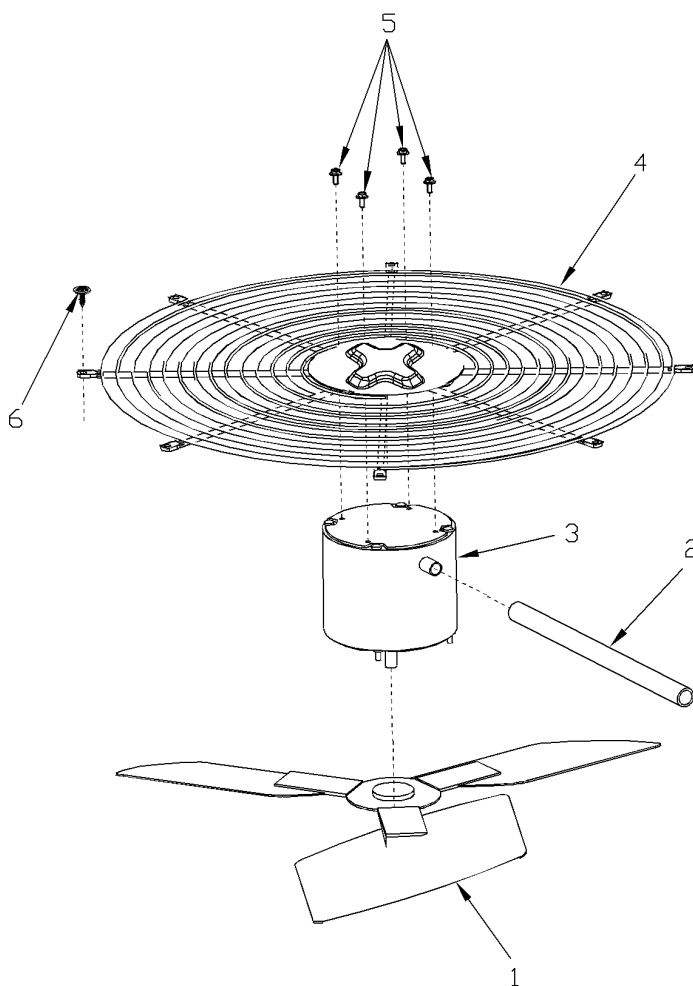
| Part No. | Reference No. | Quantity | Description |
|----------|---------------|----------|--|
| BLT00809 | * | 4 | BOLT; CARRIAGE, 5/16-18 X 1-3/4 |
| BOD00114 | * | 3 | BODY; VALVE, BRASS, 7/16 HEX, 7/16 -20 UNF-2A |
| GKT01820 | * | 4 | GASKET; 3/4 OD X 7/16 ID X .06 THK |
| ISR00007 | * | 4 | ISOLATOR; VIBRATION |
| NUT00355 | * | 4 | NUT; HEX, LOCK, 5/16IN.-18 |
| NUT00890 | * | 4 | NUT; PALLET, 5/16-18 UNC 2B THD. |
| WAS00638 | * | 4 | WASHER; FLAT, 5/16 INCH |
| WIR04495 | * | 1 | WIRE; PLUG, SCROLL COMPRESSOR, 3-WIRE (BK,OR,RD), 72 IN TOTAL LENGTH |
| COM09756 | 1 | 1 | COMPRESSOR; SCROLL, SXA042B1BPZ, 3.5 TON, 208-230/60/1, R410A |
| SWT03697 | 2 | 1 | SWITCH; HIGH PRESSURE, SPST, OPEN @ 650 PSIG, CLOSE @ 500 PSIG, 74" LEAD |
| SWT03694 | 3 | 1 | SWITCH; LOW PRESSURE, OPEN @ 50 PSIG, CLOSE @ 70 PSIG, 69" LEADS |
| PAN02889 | 4 | 1 | PAN; DRAIN, BLACK PVC, 35.70 X 7.75 |
| DST00896 | 5 | 1 | DISTRIBUTOR; 6 OUTLETS, 19 ODS, .50 ODM INLET, BRASS |
| TUB11600 | 5 | 1 | TUBE; ASSEMBLY, INDOOR DISTRIBUTOR |
| TUB11768 | 6 | 1 | TUBE; ASSEMBLY, INDOOR FLOW CONTROL, R410A |
| VAL08718 | 6 | 1 | VALVE; EXPANSION W/ SWEAT FITTINGS, 4 TON, 3/8 IN INLET X 1/2 IN OUTLET, 86/82 PSIG, R410A |
| COL13531 | 7 | 1 | COIL; INDOOR, FLAT FIN |
| CAP00455 | 8 | 3 | CAP; HUB, 7/16-20 STRAIGHT |
| COR00103 | 8 | 3 | CORE; VALVE, .79 LENGTH, .206-36 UNS-1 MOD. THD |
| CPT01233 | 9 | 1 | CAPACITOR; 70 MFD, 440V, ROUND, W/O RESISTOR |

FAN

75005599

REV
A

Typical Illustration. Unit may not appear exactly as shown.



Parts List Number :75008387#4YCY4UP1

Model Number :4YCY4048B1120BA

| Part No. | Reference No. | Quantity | Description |
|----------------------------|---------------|----------|----------------|
| 75005599_4YCY4UP1_298270~P | * | | FAN PARTS LIST |

FAN

75005599

REV
A

Typical Illustration. Unit may not appear exactly as shown.



Parts List Number :75008387#4YCY4UP1

Model Number :4YCY4048B1120BA

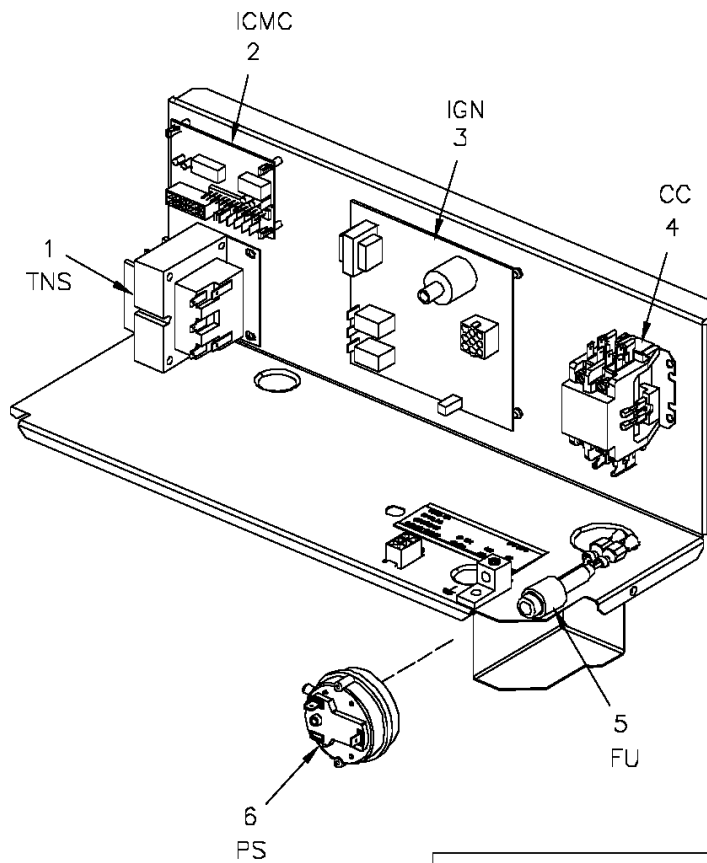
| Part No. | Reference No. | Quantity | Description |
|----------|---------------|----------|---|
| FAN03849 | 1 | 1 | FAN; SWEPT BLADE, 2 BLADE, ALUMINUM, 28 IN DIA, 30 DEG PITCH, .50 IN BORE, CCW, 1 SET SCREW-STEEL, FINISH/PAINT |
| GRD01440 | 2 | 1 | GUARD; TROUGH-LEAD |
| MOT13833 | 3 | 1 | MOTOR; OUTDOOR, 1/4 HP, 200-230/60/1, 825 RPM, TYPE PSC, CCW, SLEEVE BEARINGS, 7.5 MFD CPT AT 370V |
| GRL01530 | 4 | 1 | GRILL; OUTDOOR FAN, 30.64 IN MOUNTING DIA |
| SCR02086 | 5 | 4 | SCREW; 10-32 TR-3 HXW 3/8 S |

Controls

75008706

REV
A

Typical illustration. Unit may not appear exactly as shown.



| LEGEND | |
|--------|-----------------------------------|
| CC | Compressor Motor Coil |
| FU | Fuse |
| ICMC | Integrated Commuted Motor Control |
| IGN | Ignition Control Module |
| PS | Pressure Switch |
| TNS | Transformer |

Parts List Number :75008387#4YCY4UP1

Model Number :4YCY4048B1120BA

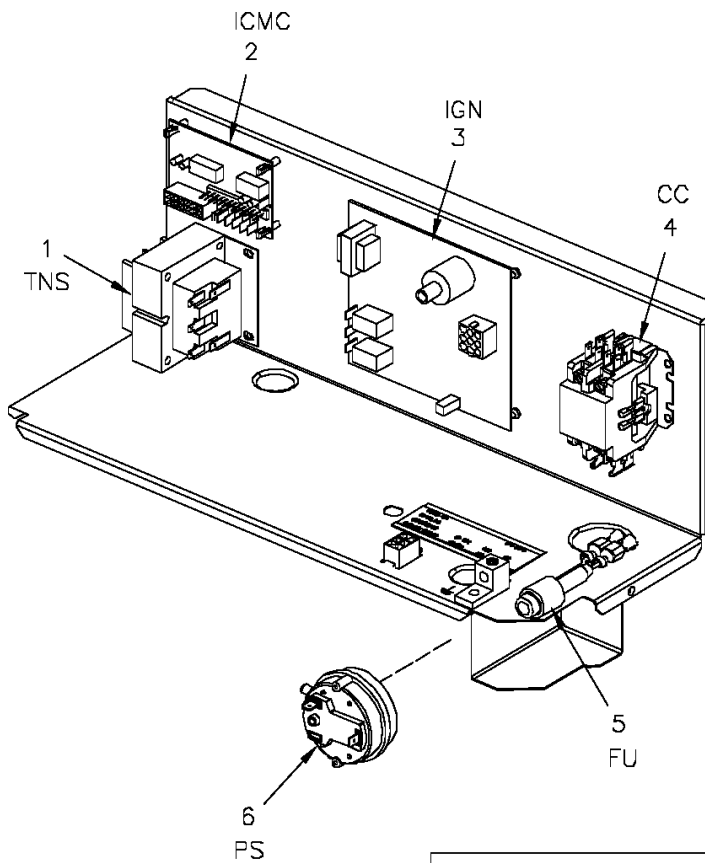
| Part No. | Reference No. | Quantity | Description |
|----------------------------|---------------|----------|---------------------|
| 75008706_4YCY4UP1_253601~P | * | | CONTROLS PARTS LIST |

Controls

75008706

REV
A

Typical illustration. Unit may not appear exactly as shown.



| LEGEND | |
|--------|-----------------------------------|
| CC | Compressor Motor Coil |
| FU | Fuse |
| ICMC | Integrated Commuted Motor Control |
| IGN | Ignition Control Module |
| PS | Pressure Switch |
| TNS | Transformer |

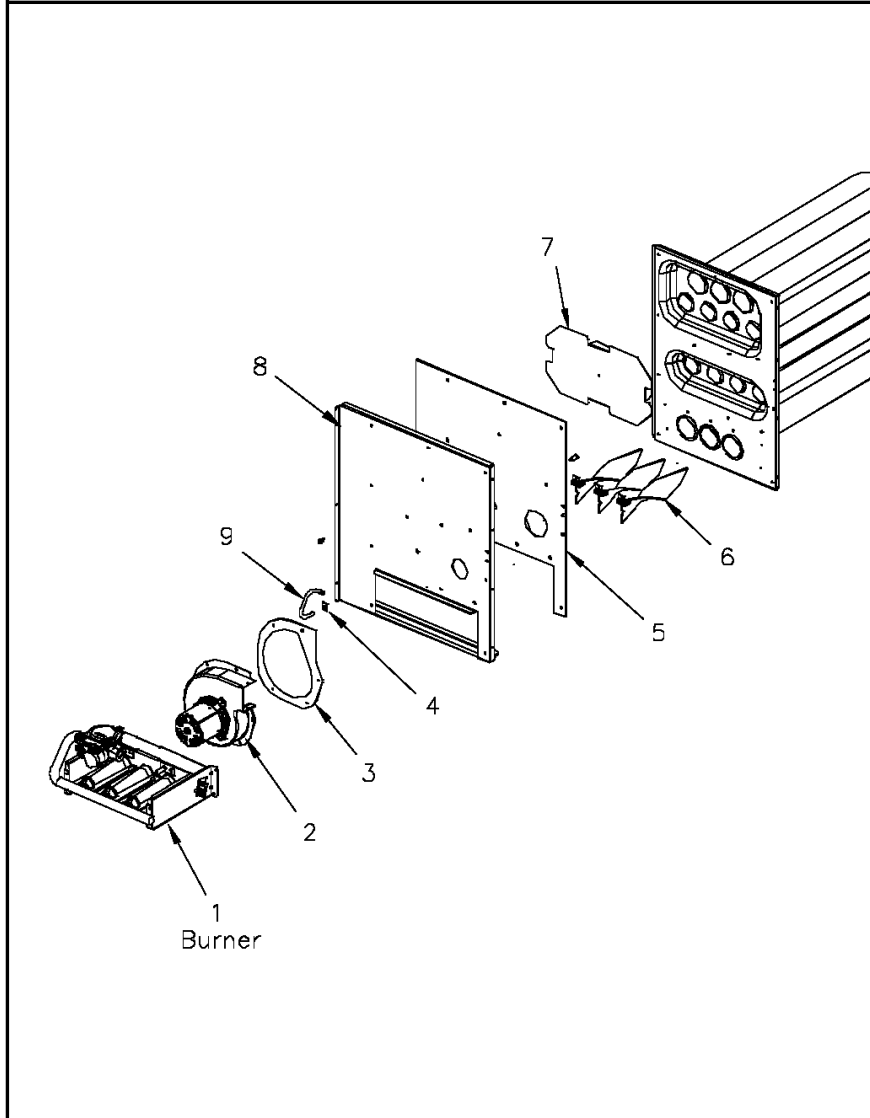
| Part No. | Reference No. | Quantity | Description |
|----------|---------------|----------|---|
| LUG00014 | * | 1 | LUG, GROUND |
| WIR07815 | * | 1 | WIRE; HARNESS, CONTROL |
| TRR01558 | 1 | 1 | TRANSFORMER; 75VA, 200/230V PRI, 24V SEC, QUICK CONNECTS |
| CNT03600 | 2 | 1 | CONTROL; ICM FAN, PWB, 16 PIN |
| CNT05135 | 3 | 1 | CONTROL; DUAL STAGE, DIRECT SPARK IGNITION MODULE |
| CTR01333 | 4 | 1 | CONTACTOR; 2 POLE, NO, 40 FLA AT 240V, 50/60 HZ, 50 RES AMPS, 24V COIL, 40 FLA AT 277/480/600V |
| FUS01776 | 5 | 1 | FUSE; 3.2 AMP, WITH HOLDER AND QUICK CONNECTS |
| CNT05641 | 6 | 1 | CONTROL; AIR PRESSURE, SPST, 28VA PILOT DUTY AT 24 VAC, 125VA PILOT DUTY AT 125VAC, SNAP ACTING CONTACTS, OPERATING TEMP RANGE: -40 TO 190F |

Heat

75008402

REV
A

Typical illustration. Unit may not appear exactly as shown.



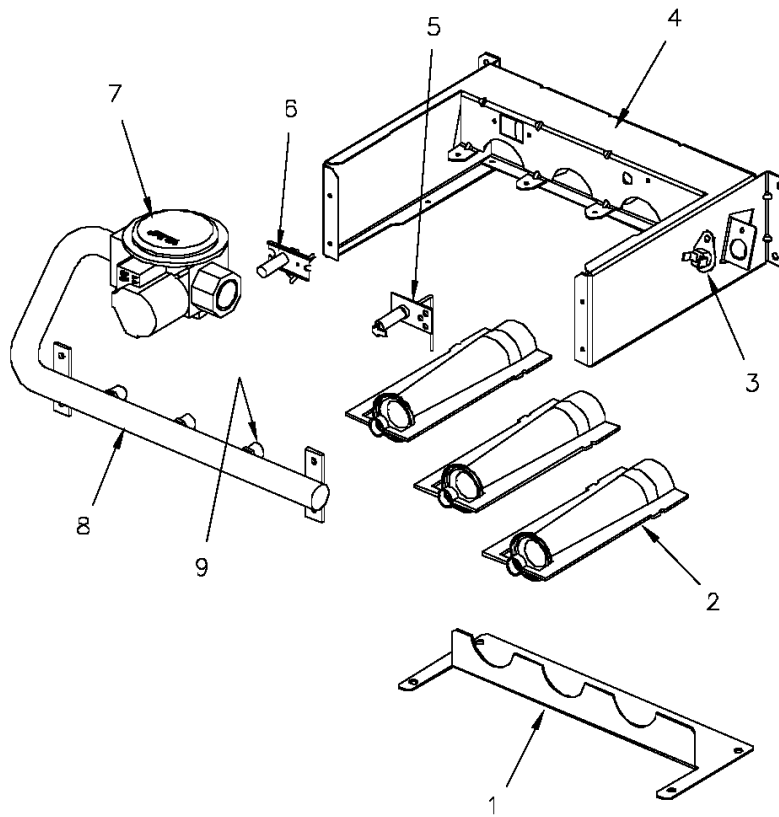
| Part No. | Reference No. | Quantity | Description |
|----------------------------|----------------------|-----------------|--------------------|
| 75008704#4YCY4UP1~S | * | | BURNER |
| 75008402_4YCY4UP1_253594~P | * | | HEAT PARTS LIST |

Burner

75008704

REV
A

Typical illustration. Unit may not appear exactly as shown.



Parts List Number :75008387#4YCY4UP1

Model Number :4YCY4048B1120BA

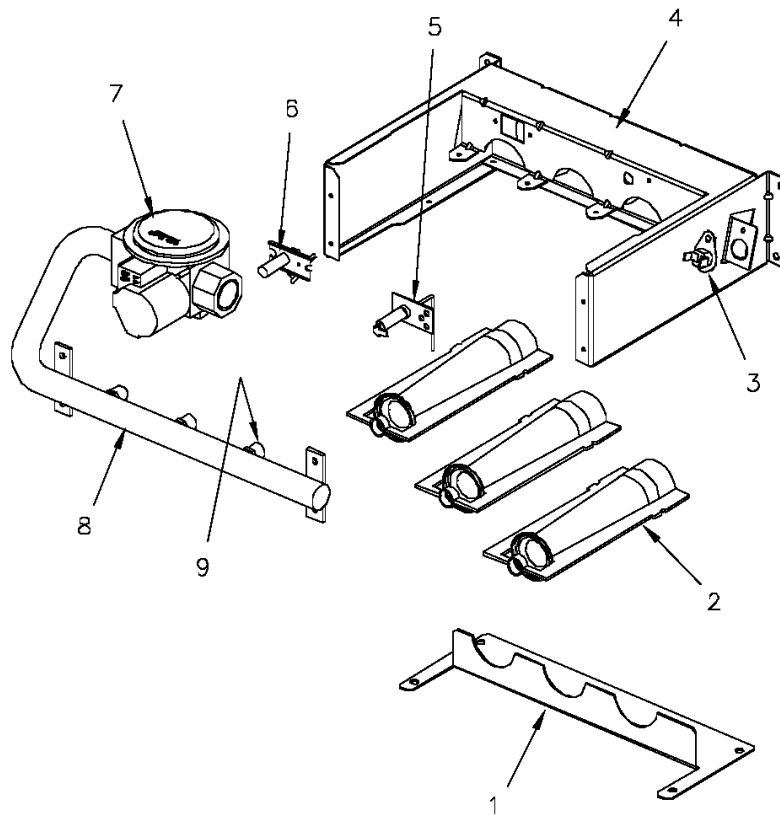
| Part No. | Reference No. | Quantity | Description |
|----------------------------|---------------|----------|-------------------|
| 75008704_4YCY4UP1_253596~P | * | | BURNER PARTS LIST |

Burner

75008704

REV
A

Typical illustration. Unit may not appear exactly as shown.



Parts List Number :75008387#4YCY4UP1

Model Number :4YCY4048B1120BA

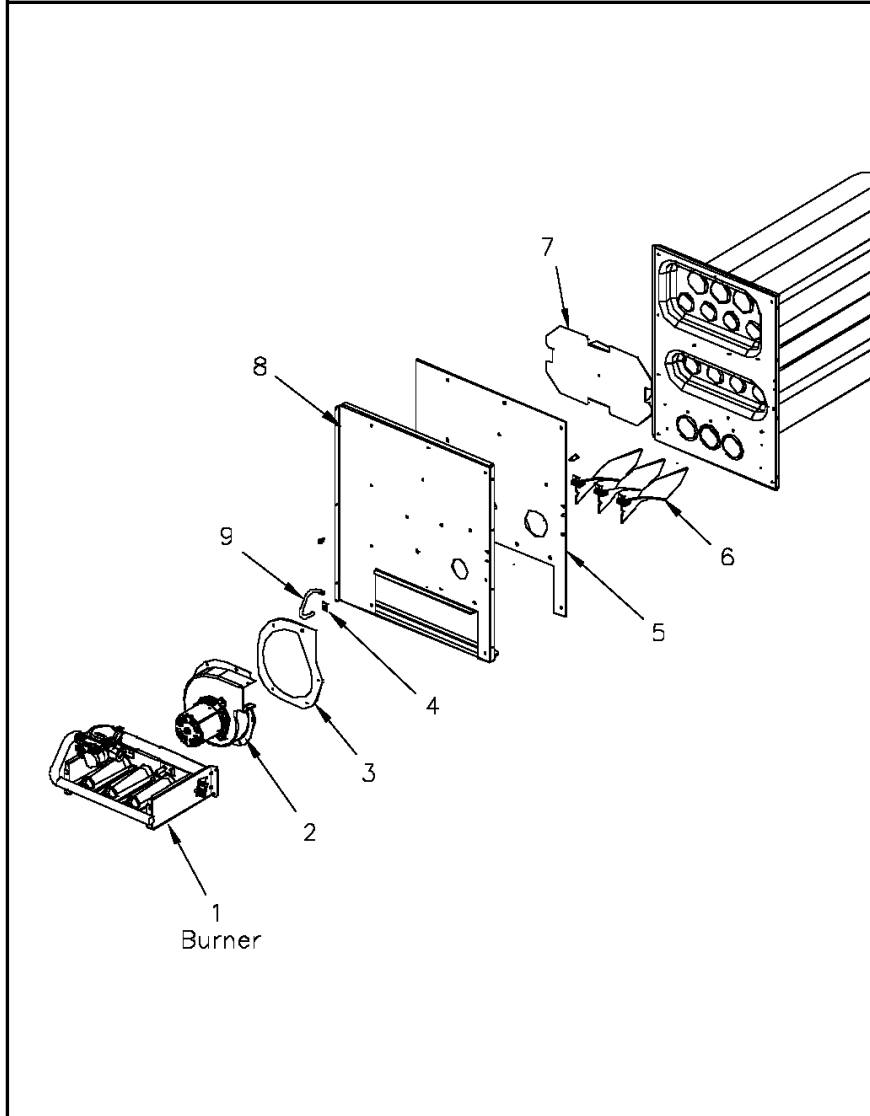
| Part No. | Reference No. | Quantity | Description |
|----------|---------------|----------|---|
| RTR00833 | 1 | 1 | RETAINER; BURNER, 10.53 L |
| BNR01071 | 2 | 3 | BURNER; 0.60 ID INSHOT BURNER, 0.036 THK 304 STAINLESS STEEL |
| SWT02945 | 3 | 1 | SWITCH; TEMP, 200 OPEN/CLOSE MANUAL, 25 AMP AT 240V, 125V PILOT DUTY, STAINLESS STEEL |
| BRK03606 | 4 | 1 | BRACKET; BURNER |
| SEN00297 | 5 | 1 | SENSOR; FLAME |
| IGN00135 | 6 | 1 | IGNITER; ELECTRODE, 22 INCH LEAD |
| VAL09034 | 7 | 1 | VALVE; GAS, 2 STAGE, 1/2-14 NPT, 24V, 50/60 HZ, "J" SERIES |
| MFD01333 | 8 | 1 | MANIFOLD; ASSEMBLY-GAS, INCLUDES (3) ORF01307 |
| ORF01307 | 9 | 3 | ORIFICE; GAS, .116 DIA, # 32 DRILL, SPUD |

Heat

75008402

REV
A

Typical illustration. Unit may not appear exactly as shown.



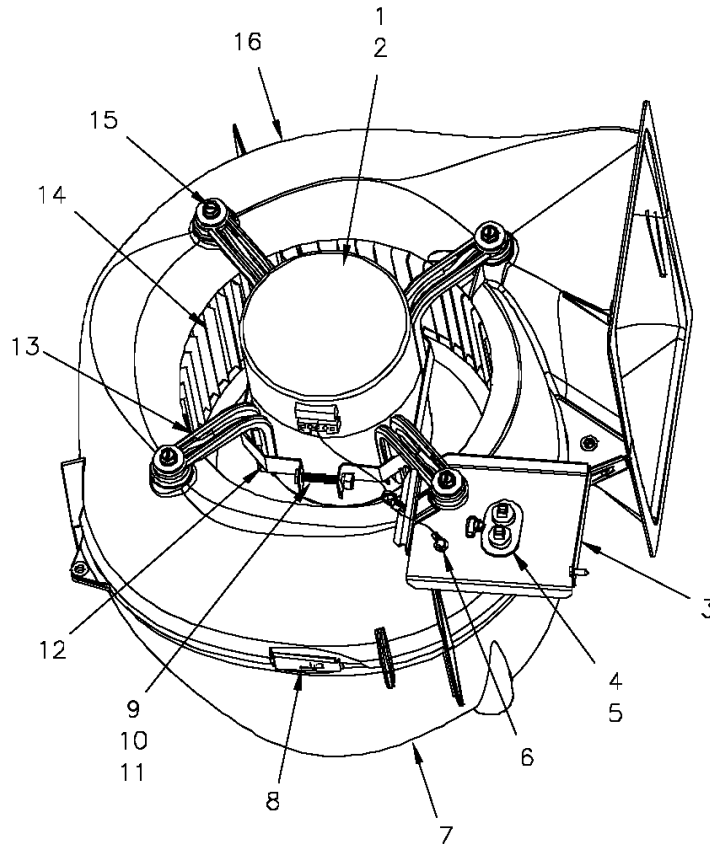
| Part No. | Reference No. | Quantity | Description |
|----------|---------------|----------|---|
| BRK03603 | * | 3 | BRACKET; TURBULATOR |
| EXC02001 | * | 1 | EXCHANGER; HEAT |
| THT02546 | * | 1 | THERMOSTAT; LIMIT SWITCH, OPEN AT 140F, CLOSE AT 110F |
| BLW01311 | 2 | 1 | BLOWER; INDUCER, 208-230/60/1, 2800/1500 RPM, 1/39 HP, 0.25 AMPS, 2 MFD CPT AT 370 VAC, 3 PIN CONNECTOR, INCLUDES GKT04075. |
| GKT04075 | 3 | 1 | GASKET; INDUCER BLOWER |
| CLP00940 | 4 | 1 | CLIP; STATIC, RETAINER, .80 X .56 X .022 |
| GKT04063 | 5 | 1 | GASKET; COLLECTOR BOX, 20.96 X 14.82 |
| TRB00121 | 6 | 3 | TURBULATOR; AND BRACKET ASSEMBLY |
| SHD00398 | 7 | 1 | SHIELD; HEAT, STAINLESS STEEL, 12.77 X 7.32 |
| BOF01930 | 8 | 1 | BLOCKOFF; BARRIER-GAS HEAT, 21.16 X 18.30 |
| TUB05375 | 9 | 1 | TUBE; CONNECTING PRESSURE SW, 3/16 ID X 9 IN LENGTH |

Blower

75008695

REV
A

Typical illustration. Unit may not appear exactly as shown.



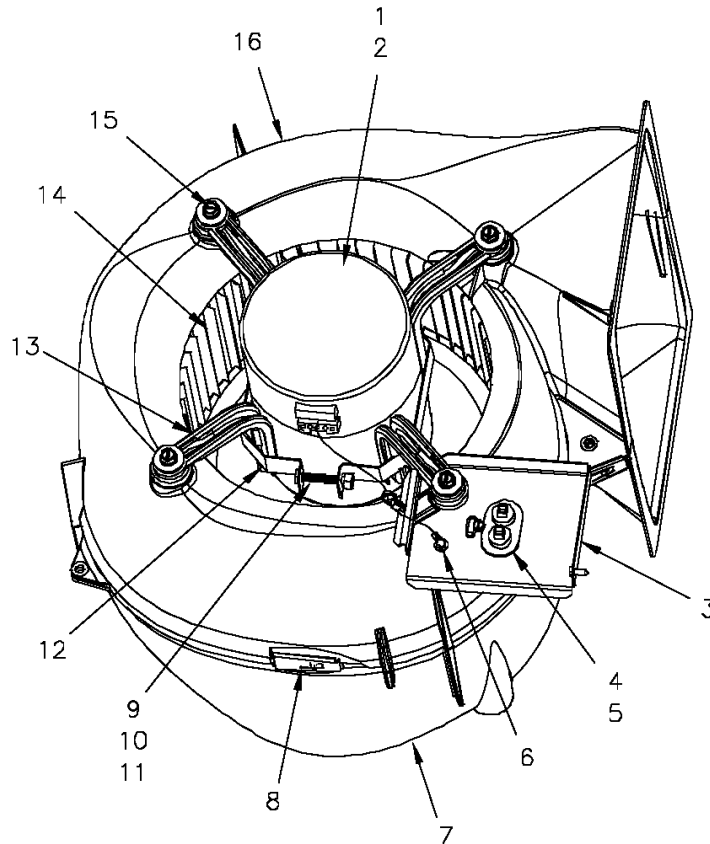
| Part No. | Reference No. | Quantity | Description |
|----------------------------|---------------|----------|-------------------|
| 75008695_4YCY4UP1_353109~P | * | | BLOWER PARTS LIST |

Blower

75008695

REV
A

Typical illustration. Unit may not appear exactly as shown.



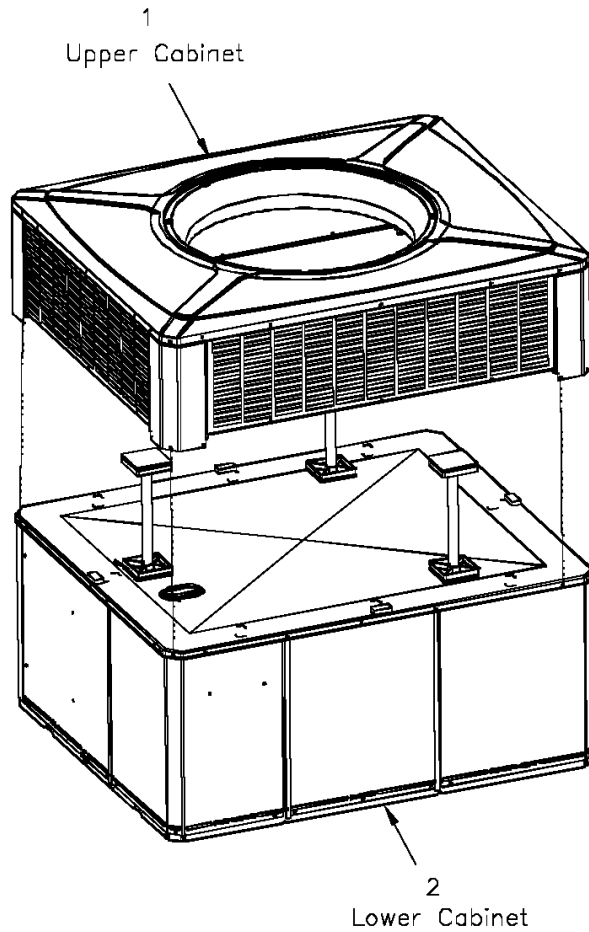
| Part No. | Reference No. | Quantity | Description |
|----------|---------------|----------|---|
| BLW01007 | * | 1 | BLOWER; ASSEMBLY, COMPLETE |
| MOD01578 | 1 | 1 | MODULE; ELECTRONIC MOTOR CONTROL, VARIABLE SPEED PROGRAMMED |
| MOT12645 | 2 | 1 | MOTOR; VARIABLE SPEED, 3/4 HP, 208-230/60/1, CW, 6.8 AMPS. (PROGRAMMED MOTOR/MODULE COMBINATION). FOR ELECTRONIC MODULE ONLY USE MOD01578 |
| BRK03543 | 3 | 1 | BRACKET; BLOWER RETAINER, 4.32 X 5.64 |
| SCR00998 | 4 | 1 | SCREW; 10-16 B HXW 1/2 S |
| CPT00477 | 5 | 1 | CAPACITOR; RUN, 7.5 MFD, 370VAC, OVAL, W/O RESISTOR |
| SCR00968 | 6 | 1 | SCREW; 10-16 HEX WASHER, TYPE B, THREAD FORMING SCREW, 0.31 THREAD LENGTH, STEEL W/ZINC FINISH |
| HUS03825 | 7 | 1 | HOUSING; BLOWER RIGHT SIDE WITHOUT MOUNTING HOLES, MOLDED GLASS FIBER POLYESTER, COLOR: NATURAL |
| CLP01088 | 8 | 4 | CLIP; CLEAT-BLOWER |
| SCR01584 | 9 | 1 | BOLT; 1/4-20 MA HX 1.5 S |
| NUT00487 | 10 | 1 | NUT; STEEL HEX, 1/4-20 |
| WAS00646 | 11 | 1 | WASHER; STEEL SPRING LOCK, 1/4 INCH |
| BND00026 | 12 | 1 | BAND; MOTOR MOUNT |
| BRK03396 | 13 | 4 | BRACKET; ARM-MOTOR |
| WHL02557 | 14 | 1 | WHEEL; BLOWER, 53 BLADES, CCW, CONCAVE DISC, 11.75 X 10.62 |
| SCR02112 | 15 | 4 | SCREW; ASSEMBLY-MOTOR MOUNT |
| HUS03824 | 16 | 1 | HOUSING; BLOWER LEFT SIDE WITH 4 MOUNTING HOLES, MOLDED GLASS FIBER POLYESTER, COLOR: NATURAL |

Cabinet

75008397

REV
A

Typical illustration. Unit may not appear exactly as shown.



View is determined by facing Appearance Nameplate

Parts List Number :75008387#4YCY4UP1

Model Number :4YCY4048B1120BA

| Part No. | Reference No. | Quantity | Description |
|----------------------------|----------------------|-----------------|--------------------|
| 75008397_4YCY4UP1_253589~P | * | | CABINET PARTS LIST |
| 75008399#4YCY4UP1~S | * | | LOWER CABINET |
| 75008381#4YCY4UP1~S | * | | UPPER CABINET |

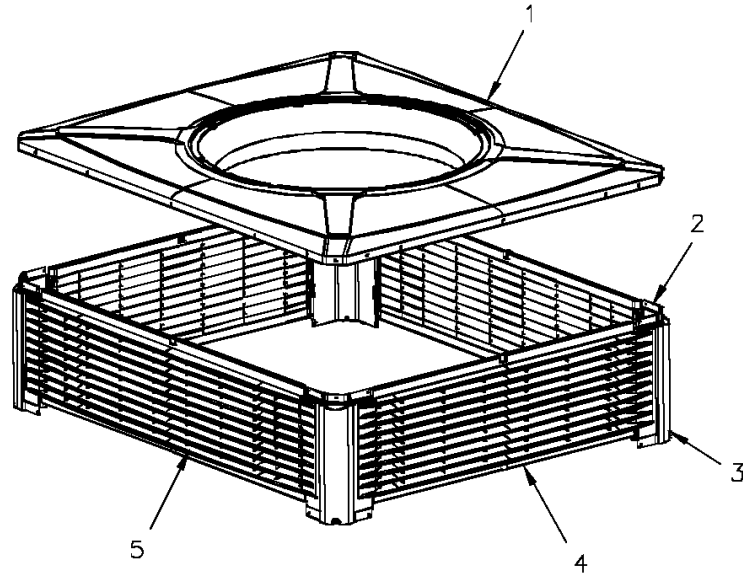
Cabinet

75008381

REV
A

upper

Typical illustration. Unit may not appear exactly as shown.



Parts List Number :75008387#4YCY4UP1

Model Number :4YCY4048B1120BA

| Part No. | Reference No. | Quantity | Description |
|----------------------------|---------------|----------|--------------------------|
| 75008381_4YCY4UP1_353108~P | * | | UPPER CABINET PARTS LIST |

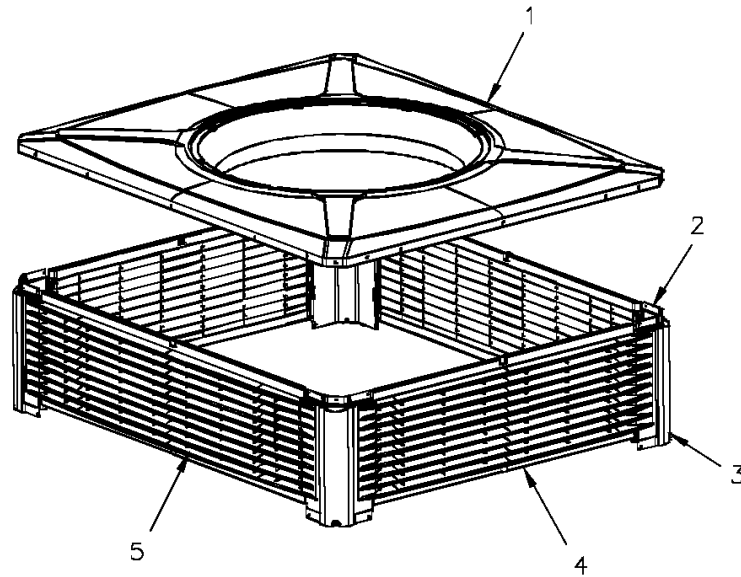
Cabinet

75008381

REV
A

upper

Typical illustration. Unit may not appear exactly as shown.



| Part No. | Reference No. | Quantity | Description |
|----------|---------------|----------|---|
| BRK03610 | * | 16 | BRACKET; PLASTIC LOUVER, 2.0 X .63 X .53 |
| SUP05014 | * | 3 | SUPPORT; OD COIL, BOTTOM, 4X4, INCLUDES GASKET |
| SUP05015 | * | 3 | SUPPORT; OD COIL, TOP, 4X4, INCLUDES GASKET |
| TUB12284 | * | 3 | TUBE; SUPPORT, TOP PIPE, .75 DIA, SCHEDULE 40 GREY PVC, 14.46 INCHES |
| COV03695 | 1 | 1 | COVER; OUTDOOR, TOP, 58.33 X 44.08 |
| PNL22002 | 2 | 4 | PANEL; CORNER POST, 13.84 H |
| GRD01907 | 3 | 4 | GUARD; BUMPER, UPPER CORNER, 12.81 H X 6.83 W |
| PNL22190 | 4 | 2 | PANEL; PLASTIC LOUVER, 53.12 X 13.40 - INCLUDES SPEED NUTS AND MOUNTING BRACKETS. |
| PNL22186 | 5 | 2 | PANEL; PLASTIC LOUVER, 38.86 X 13.40 - INCLUDES SPEED NUTS AND MOUNTING BRACKETS. |

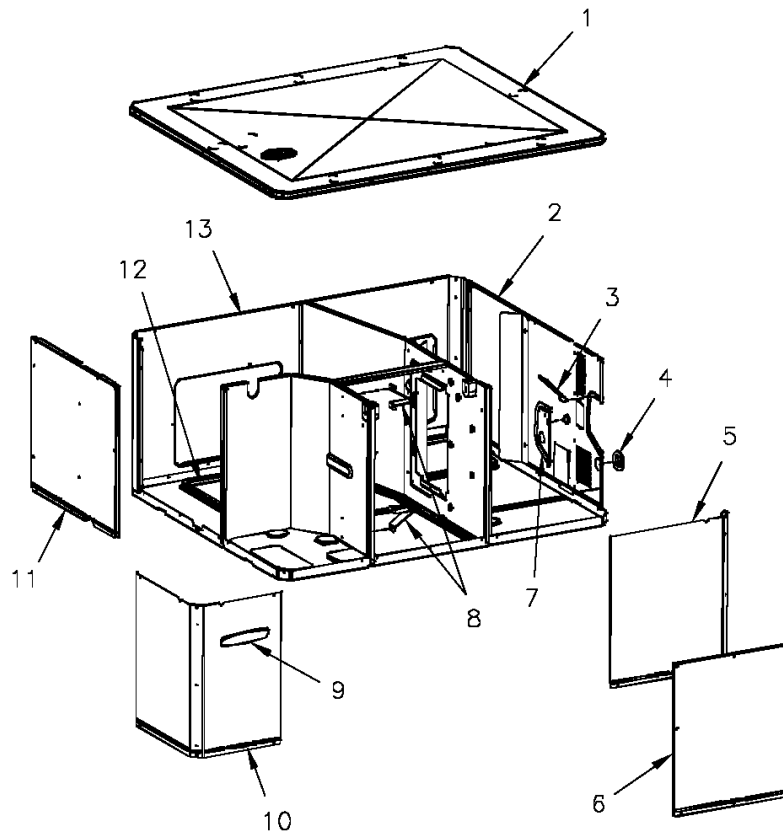
Cabinet

75008399

REV
A

lower

Typical illustration. Unit may not appear exactly as shown.



View is determined by facing Appearance Nameplate

Parts List Number :75008387#4YCY4UP1

Model Number :4YCY4048B1120BA

| Part No. | Reference No. | Quantity | Description |
|----------------------------|---------------|----------|--------------------------|
| 75008399_4YCY4UP1_253591~P | * | | LOWER CABINET PARTS LIST |

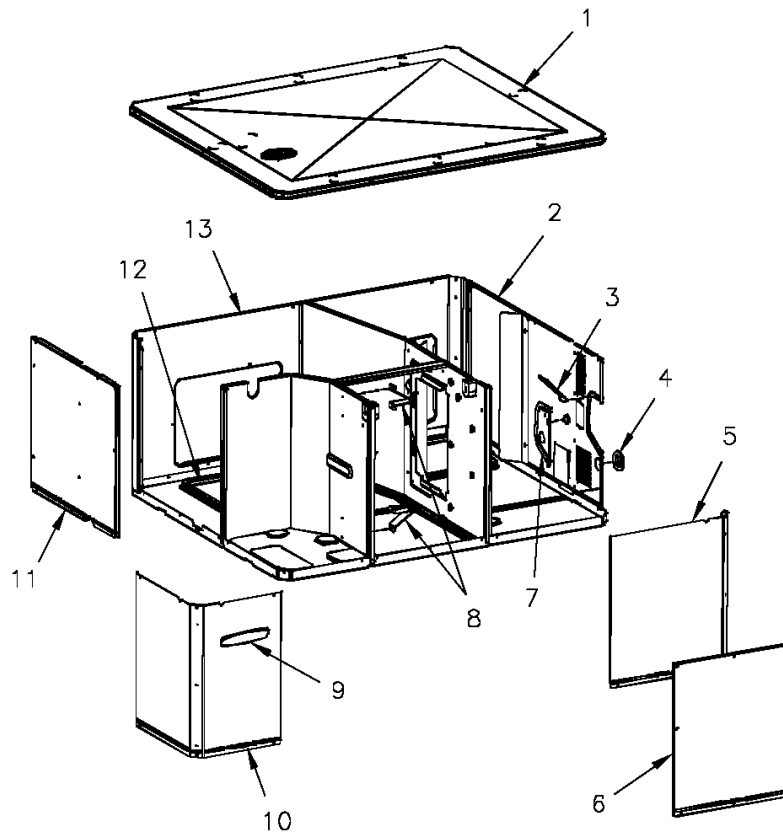
Cabinet

75008399

REV
A

lower

Typical illustration. Unit may not appear exactly as shown.



View is determined by facing Appearance Nameplate

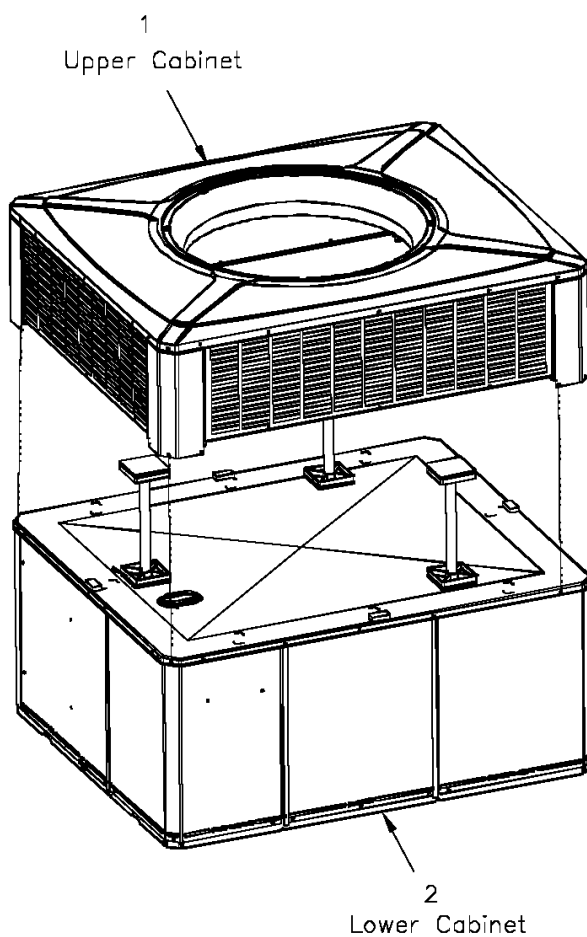
| Part No. | Reference No. | Quantity | Description |
|----------|---------------|----------|---|
| BAF01248 | * | 1 | BAFFLE; AIR, 18 IN HIGH |
| GRM00118 | * | 1 | GROMMET; 3/16 IN ID, NEOPRENE |
| GRM00129 | * | 2 | GROMMET; SCREW |
| HOD00519 | * | 1 | HOOD; ASSEMBLY, FLUE |
| PNL26625 | * | 1 | PANEL; BLOWER BARRIER, 44.05 X 21.15 |
| PNL28755 | * | 1 | PANEL; COMPRESSOR BARRIER, 27.22 W X 21.15 H |
| SHD00424 | * | 1 | SHIELD; LOUVER, BOTTOM, 6.0 X 4.0 |
| COV03697 | 1 | 1 | COVER; INDOOR, TOP, 58.33 X 44.08 |
| PNL22183 | 2 | 1 | PANEL; GAS HEAT ACCESS, 39.00 X 20.91 |
| SHD00397 | 3 | 1 | SHIELD; LOUVER, TOP, 5.0 X 1.9 |
| BUS00616 | 4 | 1 | BUSHING; 1.62 DIA |
| PNL22000 | 5 | 1 | PANEL; CONTROL/HEAT ACCESS, 17.93 X 20.70 |
| PNL22014 | 6 | 1 | PANEL; BLOWER ACCESS, 27.36 X 20.70 |
| PNL22042 | 7 | 1 | PANEL; GAS HEAT, 7.81 X 4.50 |
| BRK03544 | 8 | 2 | BRACKET; BLOWER SUPPORT, U-SHAPED, 3.00 X 2.00 X 2.83 |
| PLT04289 | 9 | 1 | PLATE; APPEARANCE, TRANE, XL14C, 9.0 X 1.8 |
| PNL21998 | 10 | 1 | PANEL; COMPRESSOR ACCESS, 20.7 X 12.7 & 20.7 X 15.5 |
| PNL22040 | 11 | 1 | PANEL; INDOOR COIL ACCESS, 25.42 X 20.70 |
| COV03699 | 12 | 2 | COVER; SUPPLY AND RETURN, 17.88 X 14.88 |
| PNL22193 | 13 | 1 | PANEL; SUPPLY AND RETURN, 58.13 X 20.88 |

Cabinet

75008397

REV
A

Typical illustration. Unit may not appear exactly as shown.



View is determined by facing Appearance Nameplate

Parts List Number :75008387#4YCY4UP1

Model Number :4YCY4048B1120BA

| Part No. | Reference No. | Quantity | Description |
|----------|---------------|----------|---|
| PAI00074 | * | 1 | PAINT; SPRAY, SLATE GREY, FULL GLOSS(88) (SHIPPING UOM 12 OZ HAZ) |



| Part No. | Reference No. | Quantity | Description |
|----------------------------|---------------|----------|-------------------------------|
| 75008692_4YCY4UP1_253597~P | * | | MODEL NOMENCLATURE PARTS LIST |



Parts List Number :75008387#4YCY4UP1

Model Number :4YCY4048B1120BA

| Part No. | Reference No. | Quantity | Description |
|--------------------------------|---------------|----------|---|
| NGRAPHIC_4YCY4UP1_253602~ P | * | | OPTIONAL FIELD INSTALLED ACCESSORIES PARTS LIST |

NO GRAPHIC AVAILABLE

75013702

REV
A

**NO
GRAPHIC
AVAILABLE**

Parts List Number :75008387#4YCY4UP1

Model Number :4YCY4048B1120BA

| Part No. | Reference No. | Quantity | Description |
|-----------|---------------|----------|--|
| BAYUV102A | * | 1 | 36 WATT UV LIGHT KIT FOR MEDIUM PACKAGED UNITS |
| ECN00112 | * | 1 | ECONOMIZER; DOWN DISCHARGE, AND RAIN HOOD(BAYECON102AA) |
| ECN00114 | * | 1 | ECONOMIZER; HORIZONTAL (BAYECON201AA) |
| KIT03361 | * | 1 | KIT; LIFTING LUGS-BAYLIFT002B (CTN = 6 PIECES) |
| KIT06658 | * | 1 | KIT; ENTHALPY CONTROL (BAYENTH001AB) |
| KIT13553 | * | 1 | KIT; CURB ADAPTER (BAYADAP052AA) |
| KIT13554 | * | 1 | KIT; CURB ADAPTER (BAYADAP053AA) |
| KIT13555 | * | 1 | KIT; CURB ADAPTER (BAYADAP054AA) |
| KIT13557 | * | 1 | KIT; CRANKCASE HEATER, 230V SCROLL COMPRESSORS (BAYCCHT102AA) 6.5-7.5 DIA, 60W, 110L |
| KIT13559 | * | 1 | KIT; 12 INCH DUCT SHROUD COVERS HORIZONTAL (BAYCOVR112AA) |
| KIT13560 | * | 1 | KIT; 18 INCH DUCT SHROUD COVERS HORIZONTAL (BAYCOVR118AA) |
| KIT13562 | * | 1 | KIT; FULL PERIMETER ROOF MOUNTING CURB (BAYCURB051AA) |
| KIT13564 | * | 1 | KIT; OUTSIDE AIR, 2 POS DAMPER (BAYDMPR102AA) |
| KIT13565 | * | 1 | KIT; EXTREME CURB MOUNTING (BAYEXMK001AA) |
| KIT13567 | * | 1 | KIT; EXTREME CURB MOUNTING (BAYEXMK003AA) |
| KIT13568 | * | 1 | KIT; LP CONVERSION (BAYLPKT100AA) |
| KIT13572 | * | 1 | KIT; OUTSIDE AIR, MANUAL DAMPER (BAYOSAH002AA) |
| KIT13574 | * | 1 | KIT; QUICK START (BAYQSTK301AA) |
| KIT13576 | * | 1 | KIT; SQUARE/ROUND DUCT ADAPTER (BAYSQRD002AA) |
| KIT13650 | * | 1 | KIT; UNCASSED COIL ENCLOSURE ASSEMBLY, 22.63 X 17.50 X 21.50, BAYCLE17A1722AA |
| KIT15097 | * | 1 | KIT; FILTER FRAME (BAYFLTR201BA). USE (1) 20 X 20, PLUS (1) 20 X 18 FILTER - NOT INCLUDED. |
| KIT15142 | * | 1 | KIT; ACCESS DOOR, 3-1/2 TO 5 TON MODELS (BAYACCDOR2AA) |
| KIT15323 | * | 1 | KIT; EXTREME CURB MOUNTING (BAYEXMK002BA) |
| KIT15325 | * | 1 | KIT; SQUARE/ROUND DUCT ADAPTER (BAYUTIL101BA) |
| KIT15326 | * | 1 | KIT; ROOF CURB UTILITY EXTENSION KIT (BAYUTIL102BA) |
| KIT15404 | * | 1 | KIT; ECONOMIZER, HINGED FILTER ACCESS DOOR AND FILTER FRAME (BAYECONCOMB102A) |
| TMR00140 | * | 1 | TIMER; ANTISHORT CYCLE (BAYASCT001) |