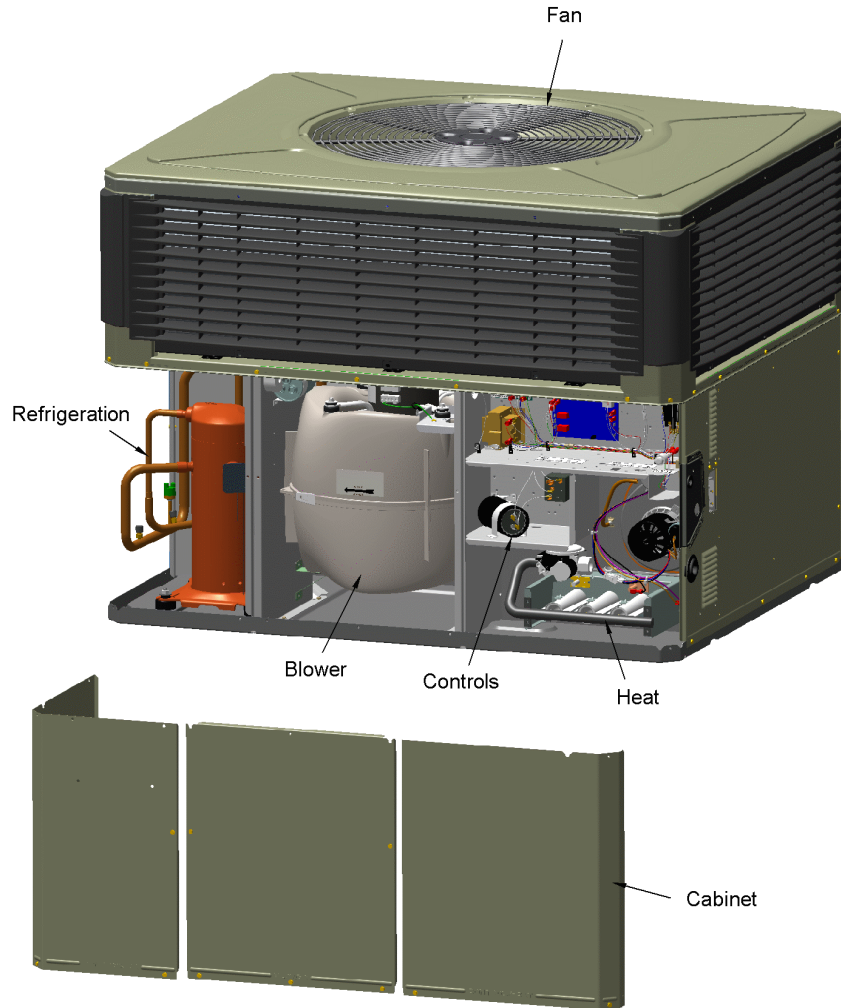


PACKAGED UNITS

75010835

REV
A

TYPICAL ILLUSTRATION



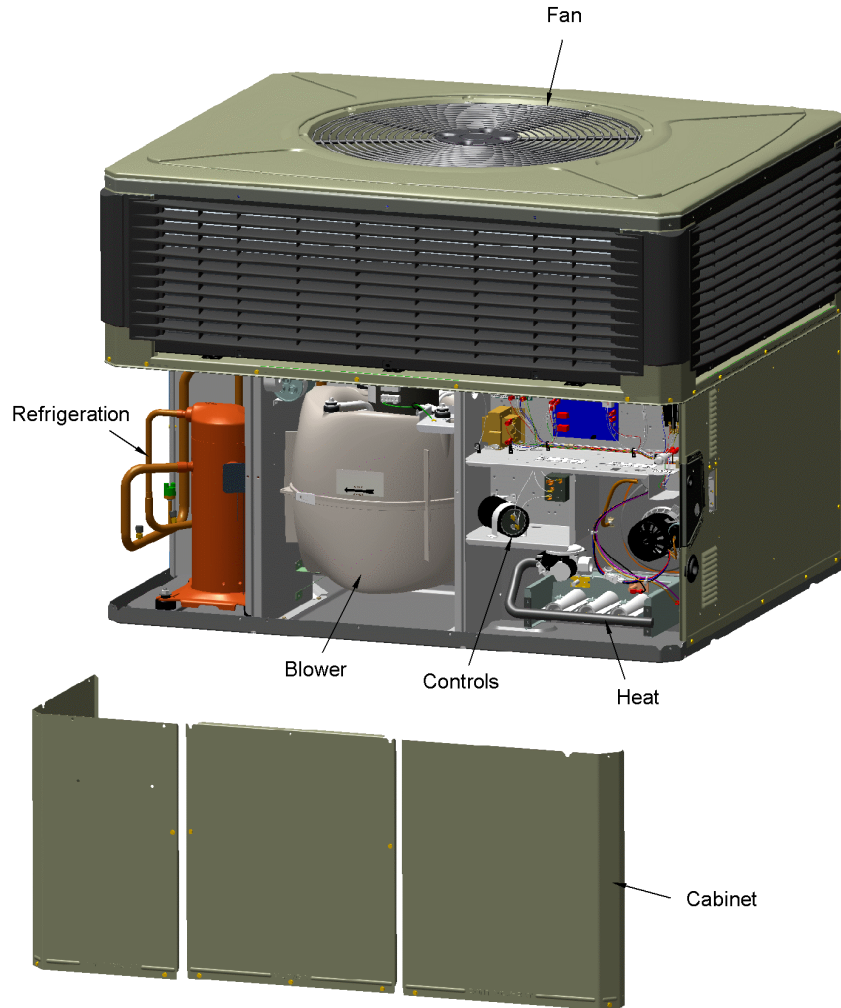
| Part No. | Reference No. | Quantity | Description |
|----------------------------|----------------------|-----------------|------------------------------------|
| 75010829#4YCY4UP2~S | * | | BLOWER |
| 75010752#4YCY4UP2~S | * | | CABINET - LOWER |
| 75010828#4YCY4UP2~S | * | | CABINET - UPPER |
| 75010824#4YCY4UP2~S | * | | CONTROL BOX |
| 75010673#4YCY4UP2~S | * | | FAN |
| 75010755#4YCY4UP2~S | * | | HEAT |
| 75008692#4YCY4UP2~S | * | | MODEL NUMBER DESCRIPTION |
| NGRAPHIC#4YCY4UP2~S | * | | OPTIONAL EQUIPMENT |
| 75010751#4YCY4UP2~S | * | | OUTDOOR COIL |
| 75010835_4YCY4UP2_187574~P | * | | PACKAGED GAS / ELECTRIC PARTS LIST |
| 75010756#4YCY4UP2~S | * | | REFRIGERATION |

PACKAGED UNITS

75010835

REV.
A

TYPICAL ILLUSTRATION



OUTDOOR COIL

75010751

REV.
A

TYPICAL ILLUSTRATION



OUTDOOR COIL

Parts List Number :75010835#4YCY4UP2

Model Number :4YCY4036C1070AA

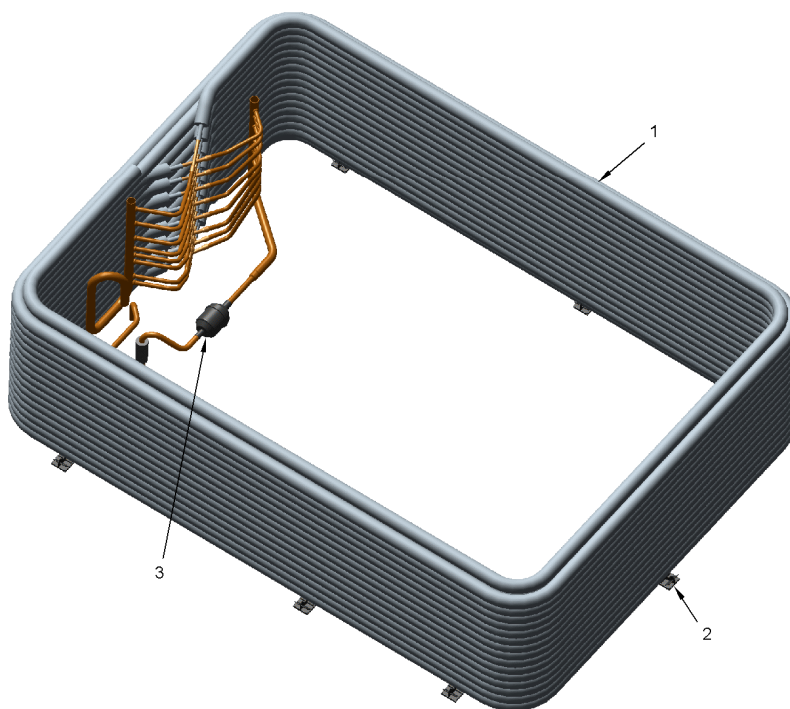
| Part No. | Reference No. | Quantity | Description |
|----------------------------|---------------|----------|-------------------------|
| 75010751_4YCY4UP2_215337~P | * | | OUTDOOR COIL PARTS LIST |

OUTDOOR COIL

75010751

REV.
A

TYPICAL ILLUSTRATION



OUTDOOR COIL PARTS LIST

Parts List Number :75010835#4YCY4UP2

Model Number :4YCY4036C1070AA

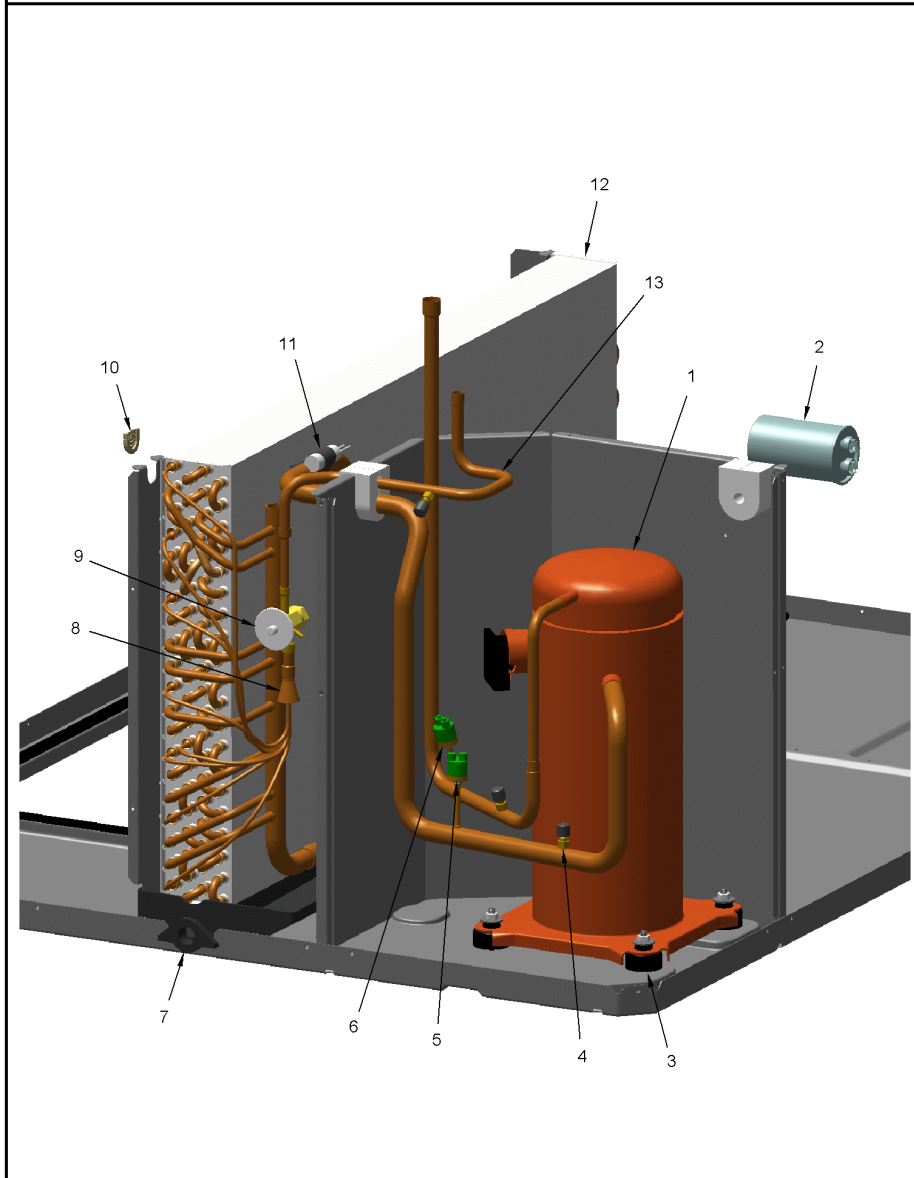
| Part No. | Reference No. | Quantity | Description |
|----------|---------------|----------|--|
| COL19226 | 1 | 1 | COIL; OUTDOOR, SPINE FIN |
| SPC00391 | 2 | 8 | SPACER; OUTDOOR COIL, 2.50 X 1.31. INCLUDES GASKET. |
| DHY01456 | 3 | 1 | DRIER; LIQUID LINE; SERVICE FIRST; 5 CU. IN.; DCL054/3S, 1/2 ODF INLET X 3/8 ODF OUTLET; 5.4 TON CAPACITY; APPROVED FOR MINERAL OIL AND POE OIL REFRIG |

REFRIGERATION

75010756

REV.
A

TYPICAL ILLUSTRATION



REFRIGERATION

Parts List Number :75010835#4YCY4UP2

Model Number :4YCY4036C1070AA

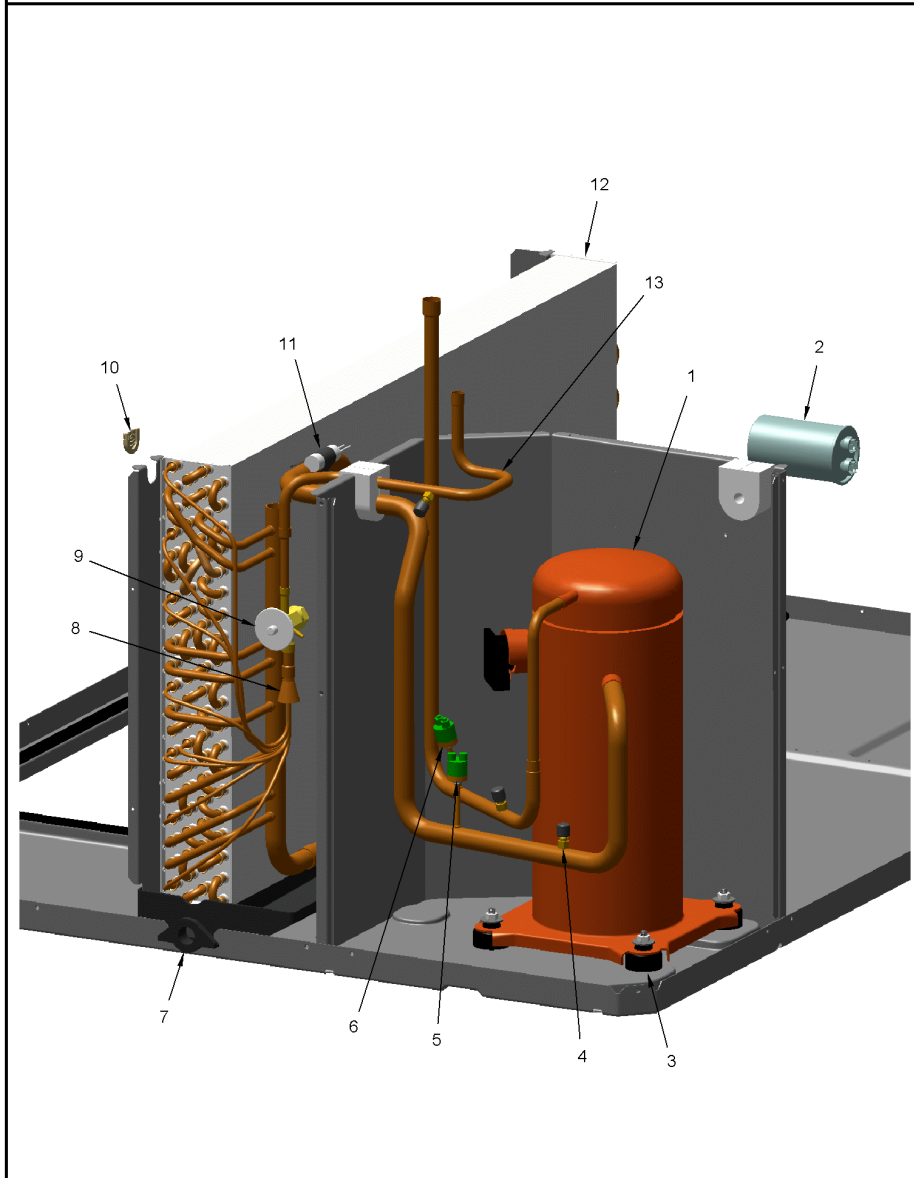
| Part No. | Reference No. | Quantity | Description |
|----------------------------|---------------|----------|--------------------------|
| 75010756_4YCY4UP2_215340~P | * | | REFRIGERATION PARTS LIST |

REFRIGERATION

75010756

REV.
A

TYPICAL ILLUSTRATION



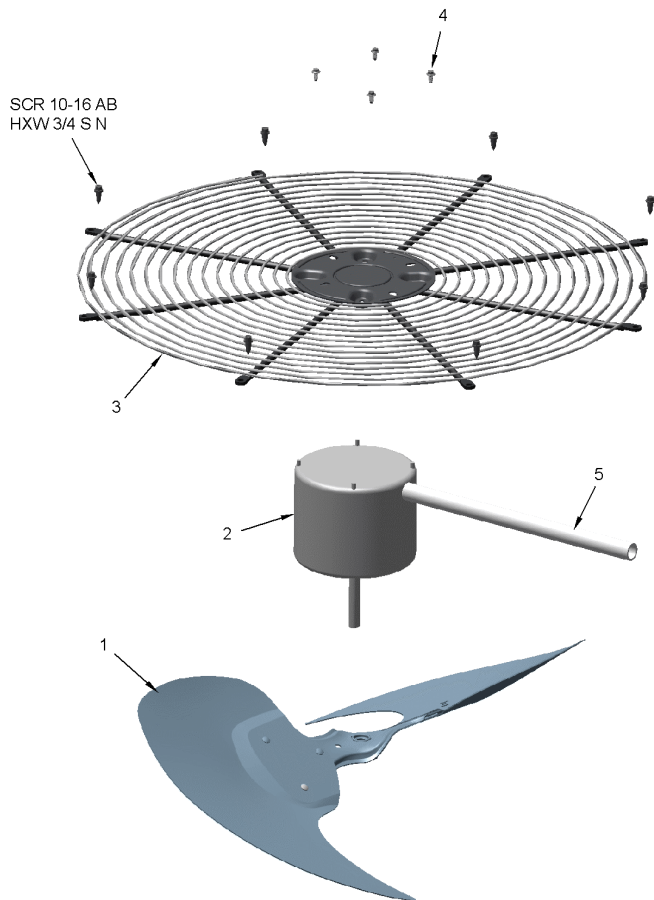
| Part No. | Reference No. | Quantity | Description |
|----------|---------------|----------|--|
| WIR04493 | * | 1 | WIRE; PLUG, SCROLL COMPRESSOR |
| COM10032 | 1 | 1 | COMPRESSOR; SCROLL, SXA031C1BPZ, 208-230/60/1, 2.6 TON, RED |
| CPT00656 | 2 | 1 | CAPACITOR; DUAL, 45/5 MFD, 440V, ROUND, W/O RESISTOR |
| SCR01510 | 2 | 2 | SCREW; 10-16 AB HXW 1/2 SN |
| SRP00093 | 2 | 1 | STRAP;CAPACITOR |
| BLT00809 | 3 | 4 | BOLT; CARRIAGE, 5/16-18 X 1-3/4 |
| GKT01820 | 3 | 4 | GASKET; 3/4 OD X 7/16 ID X .06 THK |
| ISR00007 | 3 | 4 | ISOLATOR; VIBRATION |
| NUT00355 | 3 | 4 | NUT; HEX, LOCK, 5/16IN.-18 |
| NUT00890 | 3 | 4 | NUT; PALLET, 5/16-18 UNC 2B THD. |
| WAS00638 | 3 | 4 | WASHER; FLAT, 5/16 INCH |
| BOD00114 | 4 | 3 | BODY; VALVE, BRASS, 7/16 HEX, 7/16 -20 UNF-2A |
| CAP00455 | 4 | 3 | CAP; HUB, 7/16-20 STRAIGHT |
| COR00103 | 4 | 3 | CORE; VALVE, .79 LENGTH, .206-36 UNS-1 MOD. THD |
| SWT03694 | 5 | 1 | SWITCH; LOW PRESSURE, OPEN @ 50 PSIG, CLOSE @ 70 PSIG, 69" LEADS |
| SWT03696 | 6 | 1 | SWITCH; HIGH PRESSURE, SPST, OPEN @ 650 PSIG, CLOSE @ 500 PSIG, 74" LEADS |
| PAN02888 | 7 | 1 | PAN; DRAIN, BLACK PVC, 29.58 X 7.75 |
| DST00895 | 8 | 1 | DISTRIBUTOR; 5 OUTLETS, 19 ODS, .50 ODM INLET, BRASS |
| TUB11685 | 8 | 1 | TUBE; ASSEMBLY, INDOOR DISTRIBUTOR |
| TUB11605 | 9 | 1 | TUBE; ASSEMBLY, INDOOR FLOW CONTROL, R410A |
| VAL08716 | 9 | 1 | VALVE; EXPANSION W/ SWEAT FITTINGS, 3 TON, 3/8 IN INLET X 1/2 IN OUTLET, 91/87 PSIG, R410A |
| GRM00103 | 10 | 1 | GROMMET; SPLIT, COMPRESSOR |
| CLP00296 | 11 | 1 | CLIP; TXV BULB, 7/8 INCH |
| COL25472 | 12 | 1 | COIL; INDOOR, FLAT FIN |
| TUB13267 | 13 | 1 | TUBE; LIQUID LINE ASSEMBLY |

FAN

75010673

REV
A

TYPICAL ILLUSTRATION



Parts List Number :75010835#4YCY4UP2

Model Number :4YCY4036C1070AA

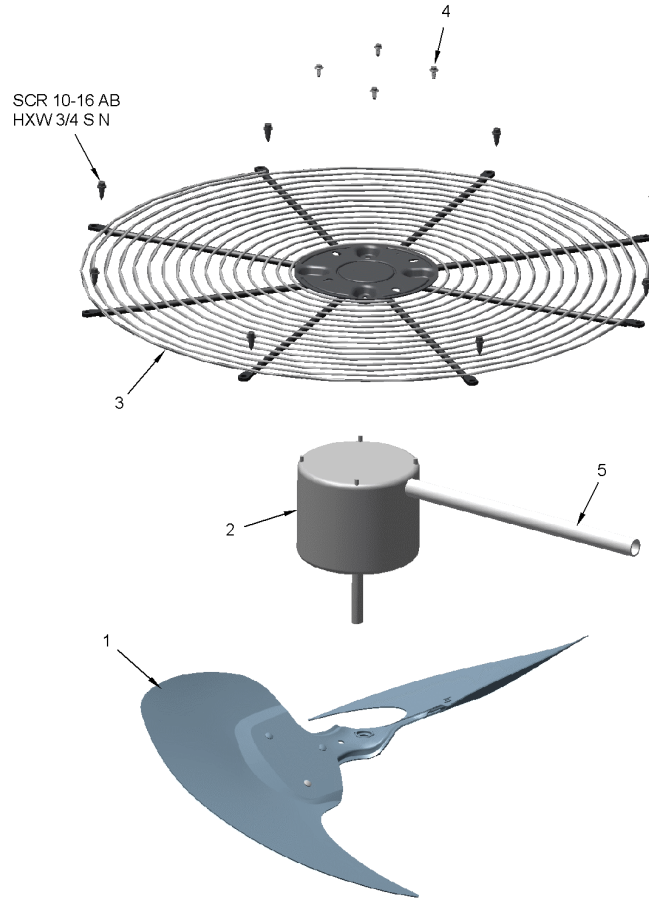
| Part No. | Reference No. | Quantity | Description |
|----------------------------|---------------|----------|----------------|
| 75010673_4YCY4UP2_215336~P | * | | FAN PARTS LIST |

FAN

75010673

REV
A

TYPICAL ILLUSTRATION



| Part No. | Reference No. | Quantity | Description |
|----------|---------------|----------|---|
| FAN03995 | 1 | 1 | FAN; SWEPT BLADE, 2 BLADE, ALUMINUM, 23.4 IN DIA, 32 DEGREES PITCH, .50 IN BORE, CCW, 1 SET SCREW-STEEL |
| MOT13832 | 2 | 1 | MOTOR; OUTDOOR, 1/5 HP, 200-230/60/1, 825 RPM, TYPE PSC, CCW, SLEEVE BEARINGS, 5 MFD CPT AT 370V |
| GRL01529 | 3 | 1 | GRILL; OUTDOOR FAN, 26.0 IN MOUNTING DIA |
| SCR02086 | 4 | 4 | SCREW; 10-32 TR-3 HXW 3/8 S |
| GRD01633 | 5 | 1 | GUARD; TROUGH-LEAD |

| Part No. | Reference No. | Quantity | Description |
|----------------------------|---------------|----------|------------------------|
| 75010824_4YCY4UP2_344731~P | * | | CONTROL BOX PARTS LIST |

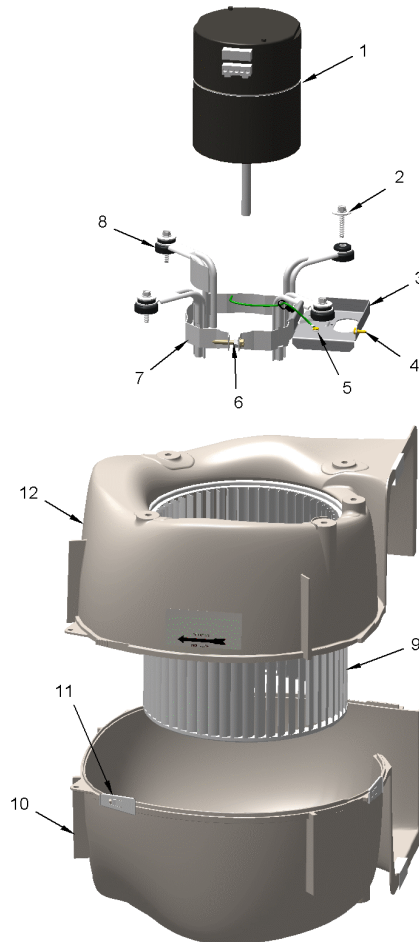
| Part No. | Reference No. | Quantity | Description |
|----------|---------------|----------|---|
| WIR02151 | * | 1 | WIRE; HIGH VOLTAGE, 47 IN LENGTH |
| CNT05641 | 1 | 1 | CONTROL; AIR PRESSURE, SPST, 28VA PILOT DUTY AT 24 VAC, 125VA PILOT DUTY AT 125VAC, SNAP ACTING CONTACTS, OPERATING TEMP RANGE: -40 TO 190F |
| WIR07329 | 2 | 1 | WIRE; CONTROL HARNESS |
| TRR01558 | 3 | 1 | TRANSFORMER; 75VA, 200/230V PRI, 24V SEC, QUICK CONNECTS |
| THT02540 | 4 | 1 | THERMOSTAT; LIMIT SWITCH, OPEN AT 120F, CLOSE AT 100F |
| CNT03600 | 5 | 1 | CONTROL; ICM FAN, PWB, 16 PIN |
| CNT05135 | 6 | 1 | CONTROL; DUAL STAGE, DIRECT SPARK IGNITION MODULE |
| CTR01333 | 7 | 1 | CONTACTOR; 2 POLE, NO, 40 FLA AT 240V, 50/60 HZ, 50 RES AMPS, 24V COIL, 40 FLA AT 277/480/600V |
| FUS01776 | 8 | 1 | FUSE; 3.2 AMP, WITH HOLDER AND QUICK CONNECTS |
| LUG00014 | 9 | 1 | LUG, GROUND |

BLOWER

75010829

REV
A

TYPICAL ILLUSTRATION



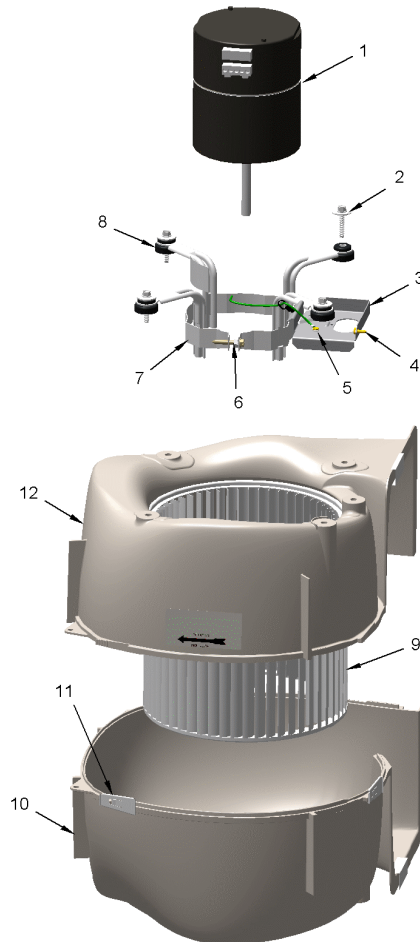
| Part No. | Reference No. | Quantity | Description |
|----------------------------|---------------|----------|-------------------|
| 75010829_4YCY4UP2_215343~P | * | | BLOWER PARTS LIST |

BLOWER

75010829

REV.
A

TYPICAL ILLUSTRATION



| Part No. | Reference No. | Quantity | Description |
|----------|---------------|----------|---|
| BLW01364 | * | 1 | BLOWER; ASSEMBLY, COMPLETE |
| MOD02275 | 1 | 1 | MODULE; EON, ELECTRONIC MOTOR CONTROL, VARIABLE SPEED PROGRAMMED |
| MOT15125 | 1 | 1 | MOTOR; VARIABLE SPEED, PROGRAMMED EON ASSEMBLY, 1/2 HP, DUAL VOLT, 1800 RPM |
| SCR02112 | 2 | 4 | SCREW; ASSEMBLY-MOTOR MOUNT |
| BRK03542 | 3 | 1 | BRACKET; BLOWER RETAINER, 4.32 X 3.45 |
| SCR00998 | 4 | 1 | SCREW; 10-16 B HXW 1/2 S |
| SCR00968 | 5 | 1 | SCREW; 10-16 HEX WASHER, TYPE B, THREAD FORMING SCREW, 0.31 THREAD LENGTH, STEEL W/ZINC FINISH |
| NUT00487 | 6 | 1 | NUT; STEEL HEX, 1/4-20 |
| SCR01584 | 6 | 1 | BOLT; 1/4-20 MA HX 1.5 S |
| WAS00646 | 6 | 1 | WASHER; STEEL SPRING LOCK, 1/4 INCH |
| BND00026 | 7 | 1 | BAND; MOTOR MOUNT |
| BRK03396 | 8 | 4 | BRACKET; ARM-MOTOR |
| WHL02558 | 9 | 1 | WHEEL; BLOWER, 48 BLADES, CCW, CONCAVE DISC, 10.62 X 10.68 |
| HUS03805 | 10 | 1 | HOUSING; BLOWER RIGHT SIDE WITHOUT MOUNTING HOLES, MOLDED GLASS FIBER POLYESTER, COLOR: NATURAL |
| CLP01088 | 11 | 4 | CLIP; CLEAT-BLOWER |
| HUS03804 | 12 | 1 | HOUSING; BLOWER LEFT SIDE WITH 4 MOUNTING HOLES, MOLDED GLASS FIBER POLYESTER, COLOR: NATURAL |

CABINET
LOWER - INDOOR
TYPICAL ILLUSTRATION

75010752

REV
A

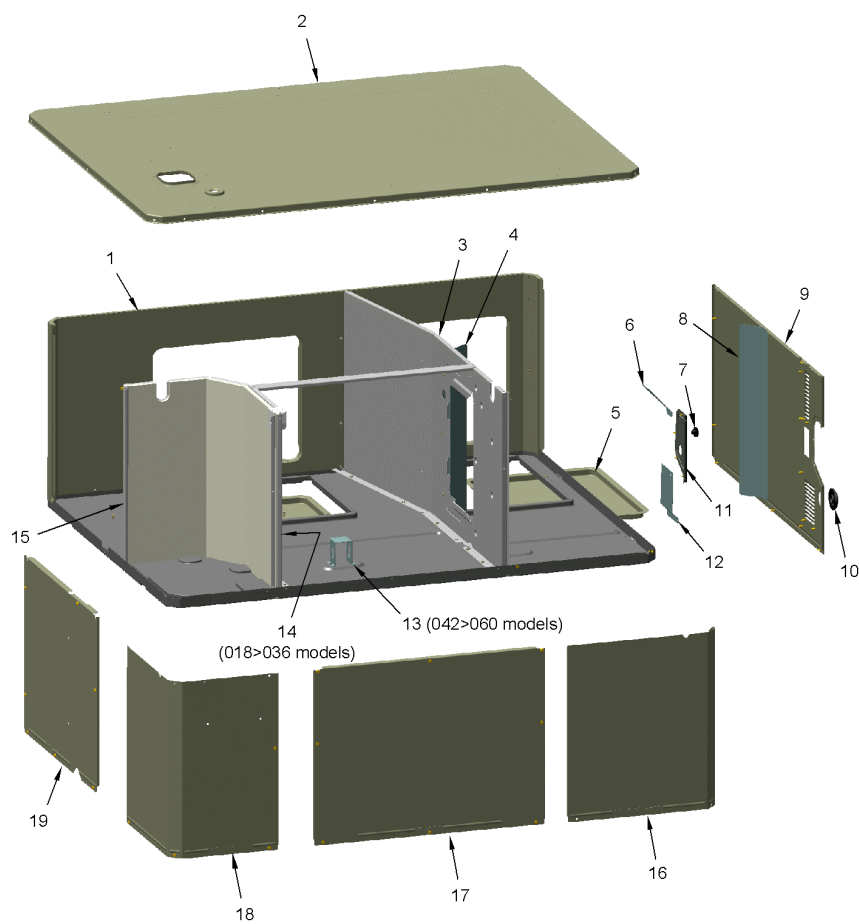


| Part No. | Reference No. | Quantity | Description |
|----------------------------|---------------|----------|----------------------------|
| 75010752_4YCY4UP2_215338~P | * | | CABINET - LOWER PARTS LIST |

CABINET
LOWER - INDOOR
TYPICAL ILLUSTRATION

75010752

REV.
A

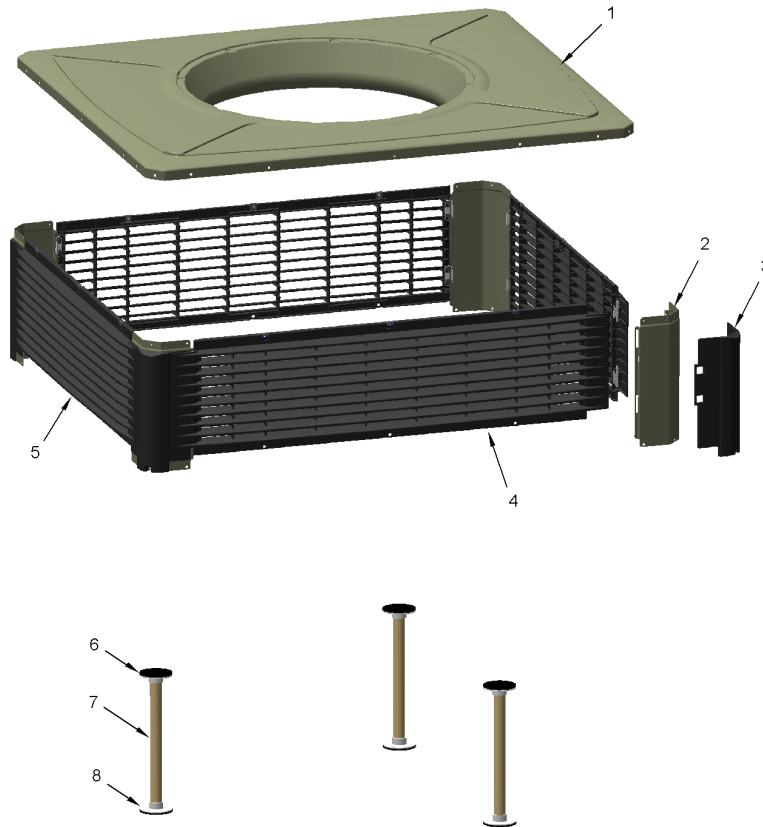


| Part No. | Reference No. | Quantity | Description |
|----------|---------------|----------|---|
| PAI00074 | * | 1 | PAINT; SPRAY, SLATE GREY, FULL GLOSS(88) (SHIPPING UOM 12 OZ HAZ) |
| PLT04289 | * | 1 | PLATE; APPEARANCE, TRANE, XL14C, 9.0 X 1.8 |
| SCR01510 | * | 47 | SCREW; 10-16 AB HXW 1/2 SN |
| PNL32042 | 1 | 1 | PANEL; SUPPLY AND RETURN, 48.41 X 20.88 |
| COV04899 | 2 | 1 | COVER; TOP, INDOOR, 48.61 X 41.08 |
| PNL26584 | 3 | 1 | PANEL; BLOWER BARRIER, 41.05 X 21.15 |
| BAF01248 | 4 | 1 | BAFFLE; AIR, 18 IN HIGH |
| COV04901 | 5 | 2 | COVER; SUPPLY AND RETURN, 15.88 X 11.88 |
| SHD00397 | 6 | 1 | SHIELD; LOUVER, TOP, 5.0 X 1.9 |
| GRM00118 | 7 | 1 | GROMMET; 3/16 IN ID, NEOPRENE |
| BAF01392 | 8 | 1 | BAFFLE; AIR, 20.00 X 3.68 |
| GRM00129 | 8 | 2 | GROMMET; SCREW |
| PNL32044 | 9 | 1 | PANEL; GAS HEAT, 36.00 X 20.90 |
| BUS00616 | 10 | 1 | BUSHING; 1.62 DIA |
| PNL22042 | 11 | 1 | PANEL; GAS HEAT, 7.81 X 4.50 |
| SCR01511 | 11 | 4 | SCREW; 10-16 B HXW 1/2 S |
| SHD00424 | 12 | 1 | SHIELD; LOUVER, BOTTOM, 6.0 X 4.0 |
| BRK03541 | 14 | 1 | BRACKET; BLOWER SUPPORT, V-SHAPED, 3.13 X 2.75 X 1.50 |
| PNL28755 | 15 | 1 | PANEL; COMPRESSOR BARRIER, 27.22 W X 21.15 H |
| PNL22000 | 16 | 1 | PANEL; CONTROL/HEAT ACCESS, 17.93 X 20.70 |
| PNL22013 | 17 | 1 | PANEL; BLOWER ACCESS, 17.63 X 20.70 |
| PNL21998 | 18 | 1 | PANEL; COMPRESSOR ACCESS, 20.7 X 12.7 & 20.7 X 15.5 |
| PNL22039 | 19 | 1 | PANEL; INDOOR COIL ACCESS, 22.42 X 20.70 |

CABINET
UPPER-OUTDOOR
TYPICAL ILLUSTRATION

75010828

REV.
A



Parts List Number :75010835#4YCY4UP2

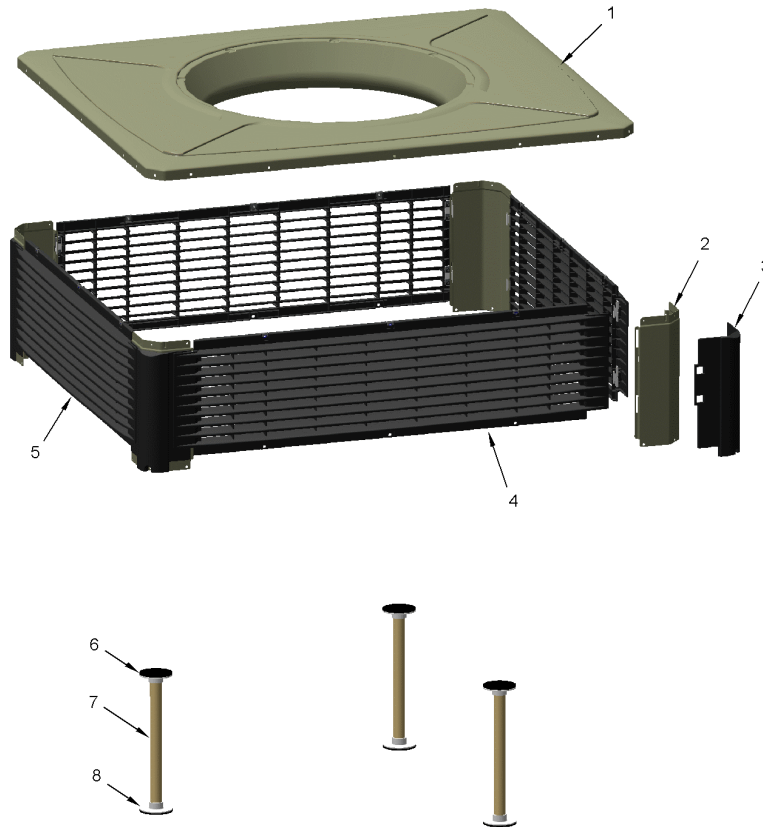
Model Number :4YCY4036C1070AA

| Part No. | Reference No. | Quantity | Description |
|----------------------------|---------------|----------|----------------------------|
| 75010828_4YCY4UP2_215342~P | * | | CABINET - UPPER PARTS LIST |

CABINET
UPPER-OUTDOOR
TYPICAL ILLUSTRATION

75010828

REV.
A



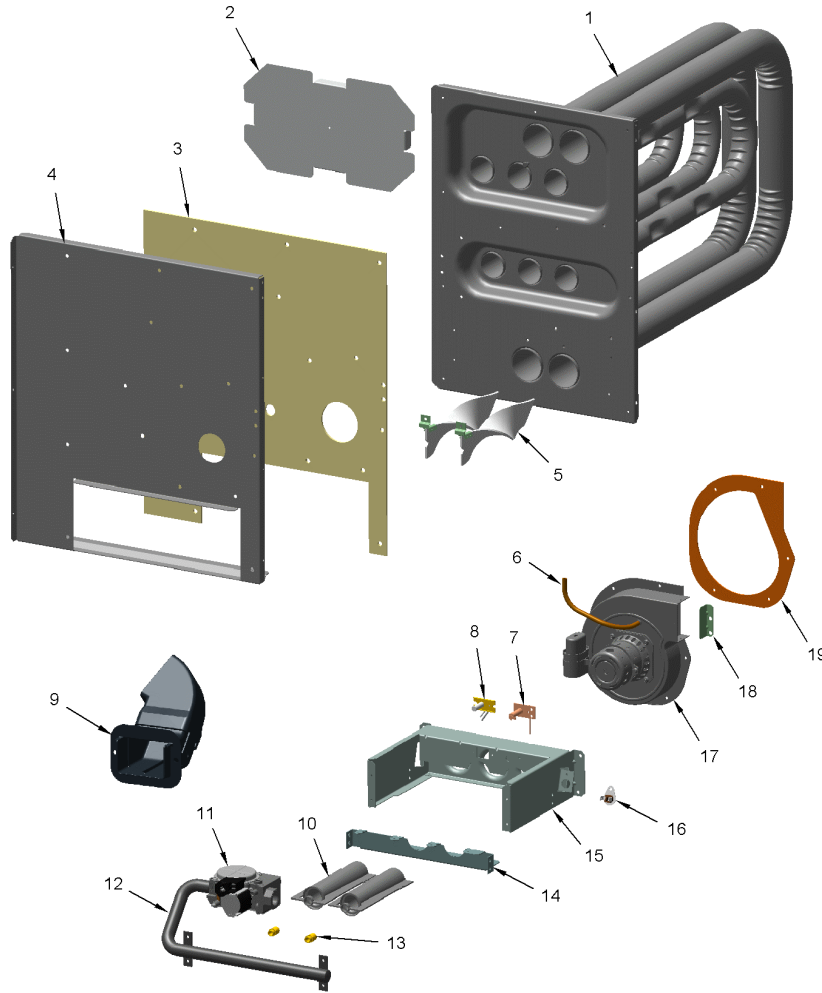
| Part No. | Reference No. | Quantity | Description |
|-----------------|----------------------|-----------------|---|
| SCR01510 | * | 12 | SCREW; 10-16 AB HXW 1/2 SN |
| SCR02108 | * | 12 | SCREW; SCR 10-16 AB HXW 5/8 S |
| COV03694 | 1 | 1 | COVER; OUTDOOR, TOP, 48.61 X 41.08 |
| PNL22002 | 2 | 4 | PANEL; CORNER POST, 13.84 H |
| GRD01907 | 3 | 4 | GUARD; BUMPER, UPPER CORNER, 12.81 H X 6.83 W |
| PNL23824 | 4 | 2 | PANEL; PLASTIC LOUVER, 43.40 X 13.40 - INCLUDES SPEED NUTS AND MOUNTING BRACKETS. |
| PNL23823 | 5 | 2 | PANEL; PLASTIC LOUVER, 35.86 X 13.40 - INCLUDES SPEED NUTS AND MOUNTING BRACKETS. |
| SUP05919 | 6 | 3 | SUPPORT; OUTDOOR COIL, 3.0 DIA, WITH GASKET |
| TUB12284 | 7 | 3 | TUBE; SUPPORT, TOP PIPE, .75 DIA, SCHEDULE 40 GREY PVC, 14.46 INCHES |
| SUP05918 | 8 | 3 | SUPPORT; OUTDOOR COIL, 3.0 DIA, WITH GASKET |

HEAT

75010755

REV
A

TYPICAL ILLUSTRATION



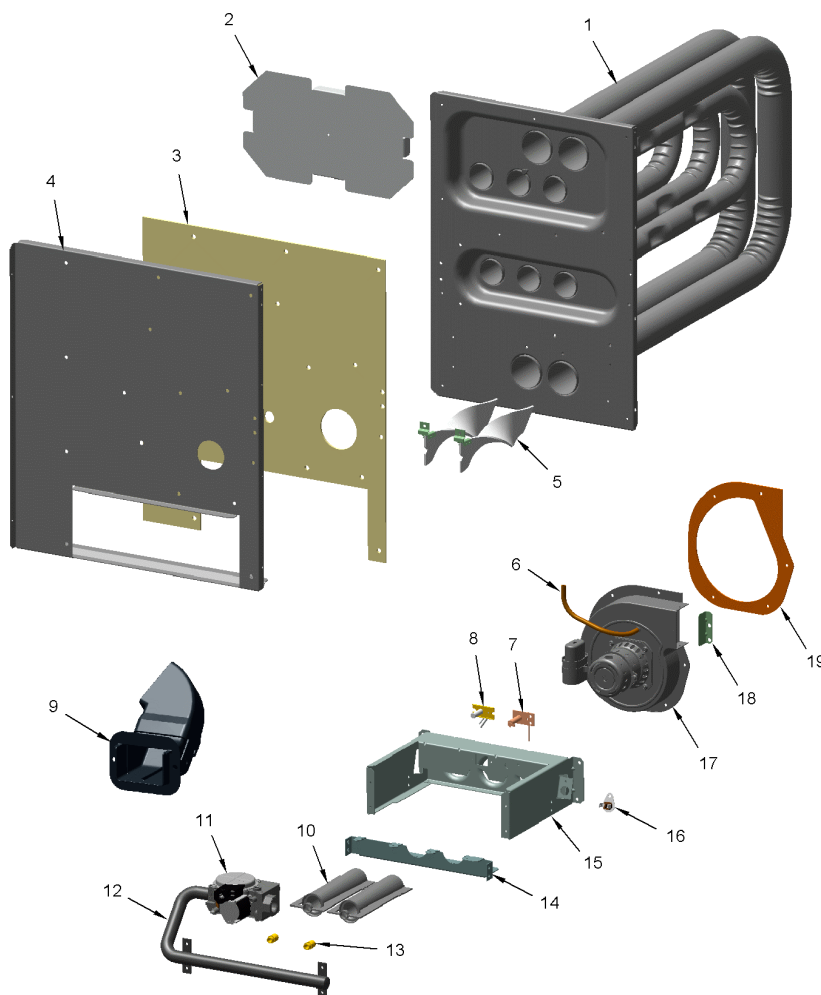
| Part No. | Reference No. | Quantity | Description |
|----------------------------|---------------|----------|-----------------|
| 75010755_4YCY4UP2_344729~P | * | | HEAT PARTS LIST |

HEAT

75010755

REV
A

TYPICAL ILLUSTRATION



| Part No. | Reference No. | Quantity | Description |
|----------|---------------|----------|---|
| EXC02602 | 1 | 1 | EXCHANGER; HEAT |
| SHD00398 | 2 | 1 | SHIELD; HEAT, STAINLESS STEEL, 12.77 X 7.32 |
| GKT04063 | 3 | 1 | GASKET; COLLECTOR BOX, 20.96 X 14.82 |
| BOF01930 | 4 | 1 | BLOCKOFF; BARRIER-GAS HEAT, 21.16 X 18.30 |
| BRK03603 | 5 | 2 | BRACKET; TURBULATOR |
| SCR00998 | 5 | 2 | SCREW; 10-16 B HW 1/2 S |
| TRB00121 | 5 | 2 | TURBULATOR; AND BRACKET ASSEMBLY |
| TUB05375 | 6 | 1 | TUBE; CONNECTING PRESSURE SW, 3/16 ID X 9 IN LENGTH |
| SEN00297 | 7 | 1 | SENSOR; FLAME |
| IGN00135 | 8 | 1 | IGNITER; ELECTRODE, 22 INCH LEAD |
| HOD00519 | 9 | 1 | HOOD; ASSEMBLY, FLUE |
| BNR01071 | 10 | 2 | BURNER; 0.60 ID INSHOT BURNER, 0.036 THK 304 STAINLESS STEEL |
| VAL09034 | 11 | 1 | VALVE; GAS, 2 STAGE, 1/2-14 NPT, 24V, 50/60 HZ, "J" SERIES |
| MFD01335 | 12 | 1 | MANIFOLD; ASSEMBLY-GAS, INCLUDES (2) ORF01334 |
| ORF01334 | 13 | 2 | ORIFICE; SPUD, #33, .113 DIA GREEN |
| RTR00984 | 14 | 1 | RETAINER; BURNER, 10.65 L |
| BRK04541 | 15 | 1 | BRACKET; BURNER |
| SWT02945 | 16 | 1 | SWITCH; TEMP, 200 OPEN/CLOSE MANUAL, 25 AMP AT 240V, 125V PILOT DUTY, STAINLESS STEEL |
| BLW01378 | 17 | 1 | BLOWER; INDUCER, 208-230/60/1, 3175 RPM, 2 MFD CPT AT 370 VAC, DOES NOT INCLUDE GKT04075. |
| RSR00215 | 18 | 1 | RESTRICTOR; FLUE OUTLET |
| GKT04075 | 19 | 1 | GASKET; INDUCER BLOWER |

| Part No. | Reference No. | Quantity | Description |
|----------------------------|---------------|----------|-------------------------------------|
| 75008692_4YCY4UP2_187575~P | * | | MODEL NUMBER DESCRIPTION PARTS LIST |



OPTIONAL EQUIPMENT

Parts List Number :75010835#4YCY4UP2

Model Number :4YCY4036C1070AA

| Part No. | Reference No. | Quantity | Description |
|--------------------------------|---------------|----------|-------------------------------|
| NGRAPHIC_4YCY4UP2_344732~ P | * | | OPTIONAL EQUIPMENT PARTS LIST |

NO GRAPHIC AVAILABLE

75013702

REV
A

**NO
GRAPHIC
AVAILABLE**

| Part No. | Reference No. | Quantity | Description |
|-----------|---------------|----------|---|
| BAYUV101A | * | 1 | 25 WATT UV LIGHT KIT FOR SMALL PACKAGED UNITS |
| ECN00111 | * | 1 | ECONOMIZER; DOWN DISCHARGE, AND RAIN HOOD (BAYECON101AA) |
| ECN00113 | * | 1 | ECONOMIZER; HORIZONTAL (BAYECON200AA) |
| KIT03361 | * | 1 | KIT; LIFTING LUGS-BAYLIFT002B (CTN = 6 PIECES) |
| KIT06658 | * | 1 | KIT; ENTHALPY CONTROL (BAYENTH001AB) |
| KIT13551 | * | 1 | KIT; CURB ADAPTER (BAYADAP050AA) |
| KIT13552 | * | 1 | KIT; CURB ADAPTER (BAYADAP051AA) |
| KIT13559 | * | 1 | KIT; 12 INCH DUCT SHROUD COVERS HORIZONTAL (BAYCOVR112AA) |
| KIT13560 | * | 1 | KIT; 18 INCH DUCT SHROUD COVERS HORIZONTAL (BAYCOVR118AA) |
| KIT13561 | * | 1 | KIT; FULL PERIMETER ROOF MOUNTING CURB (BAYCURB050AA) |
| KIT13563 | * | 1 | KIT; OUTSIDE AIR, 2 POS DAMPER (BAYDMPR101AA) |
| KIT13565 | * | 1 | KIT; EXTREME CURB MOUNTING (BAYEXMK001AA) |
| KIT13567 | * | 1 | KIT; EXTREME CURB MOUNTING (BAYEXMK003AA) |
| KIT13570 | * | 1 | KIT; LP CONVERSION (BAYLPKT102AA) |
| KIT13571 | * | 1 | KIT; OUTSIDE AIR, MANUAL DAMPER (BAYOSAH001AA) |
| KIT13574 | * | 1 | KIT; QUICK START (BAYQSTK301AA) |
| KIT13575 | * | 1 | KIT; SQUARE/ROUND DUCT ADAPTER (BAYSQRD001AA) |
| KIT13640 | * | 1 | KIT; LOW AMBIENT COOLING, HEAD PRESSURE CONTROL (BAYLOAM105AA) |
| KIT15096 | * | 1 | KIT; FILTER FRAME (BAYFLTR101BA). USE ONE 20 X 25 FILTER - NOT INCLUDED. |
| KIT15141 | * | 1 | KIT; ACCESS DOOR, 1-1/2 TO 3 TON MODELS (BAYACCDOR1AA) |
| KIT15323 | * | 1 | KIT; EXTREME CURB MOUNTING (BAYEXMK002BA) |
| KIT15325 | * | 1 | KIT; SQUARE/ROUND DUCT ADAPTER (BAYUTIL101BA) |
| KIT15403 | * | 1 | KIT; ECONOMIZER, HINGED FILTER ACCESS DOOR AND FILTER FRAME (BAYECONCOMB101A) |
| KIT17662 | * | 1 | KIT;CRANKCASE HEATER (BAYCCHT103A) |
| THT00839 | * | 1 | THERMOSTAT; REMOTE POTENTIOMETER, 60-90 DEG F (BAYSTAT023AA) |
| TMR00140 | * | 1 | TIMER; ANTISHORT CYCLE (BAYASCT001) |