

| <b>Part No.</b> | <b>Reference No.</b> | <b>Quantity</b> | <b>Description</b>       |
|-----------------|----------------------|-----------------|--------------------------|
| 0000105554~S    | *                    |                 | BLOWER                   |
| 0000105556~S    | *                    |                 | BURNER                   |
| 0000105578~S    | *                    |                 | CABINET - LOWER          |
| 0000105577~S    | *                    |                 | CABINET - UPPER          |
| 0000105553~S    | *                    |                 | CONTROLS                 |
| 0000105552~S    | *                    |                 | FAN                      |
| 0000105549~S    | *                    |                 | GENERAL ASSEMBLY         |
| 0000105555~S    | *                    |                 | HEAT EXCHANGER           |
| 0000105579~S    | *                    |                 | MODEL NUMBER DESCRIPTION |
| 0000105580~S    | *                    |                 | OPTIONAL ACCESSORIES     |
| 0000105550~S    | *                    |                 | OUTDOOR COIL             |
| 0000105551~S    | *                    |                 | REFRIGERATION            |

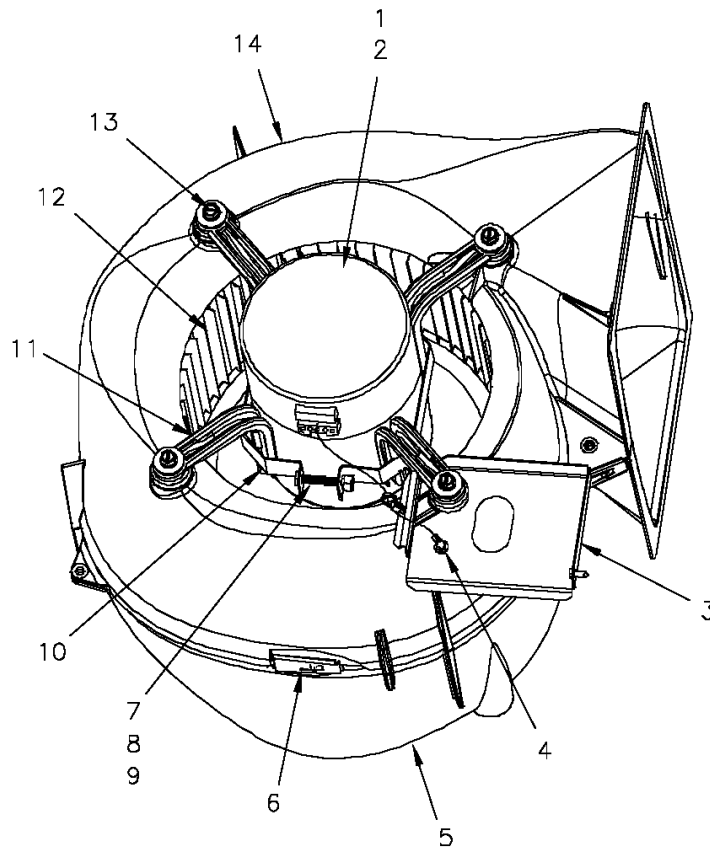
| Part No.     | Reference No. | Quantity | Description       |
|--------------|---------------|----------|-------------------|
| 0000010783~P | *             |          | BLOWER PARTS LIST |

Blower

75008694

REV  
A

Typical illustration. Unit may not appear exactly as shown.



| Part No. | Reference No. | Quantity | Description   |
|----------|---------------|----------|---|
| BLW01006 | *             | 1        | BLOWER; ASSEMBLY, COMPLETE  |
| MOD01573 | 1             | 1        | MODULE; ELECTRONIC MOTOR CONTROL, VARIABLE SPEED PROGRAMMED                                     |
| MOT12619 | 2             | 1        | MOTOR; ECM VS MOTOR MODULE SET; 1/2 HP; 115/230 VOLTAGE; PROGRAMMED                             |
| BRK03542 | 3             | 1        | BRACKET; BLOWER RETAINER, 4.32 X 3.45   |
| SCR00968 | 4             | 1        | SCREW; 10-16 HEX WASHER, TYPE B, THREAD FORMING SCREW, 0.31 THREAD LENGTH, STEEL W/ZINC FINISH  |
| HUS03805 | 5             | 1        | HOUSING; BLOWER RIGHT SIDE WITHOUT MOUNTING HOLES, MOLDED GLASS FIBER POLYESTER, COLOR: NATURAL |
| CLP01088 | 6             | 4        | CLIP; CLEAT-BLOWER  |
| SCR01584 | 7             | 1        | BOLT; 1/4-20 MA HX 1.5 S  |
| NUT00487 | 8             | 1        | NUT; STEEL HEX, 1/4-20  |
| WAS00646 | 9             | 1        | WASHER; STEEL SPRING LOCK, 1/4 INCH   |
| BND00026 | 10            | 1        | BAND; MOTOR MOUNT   |
| BRK03396 | 11            | 4        | BRACKET; ARM-MOTOR  |
| WHL02558 | 12            | 1        | WHEEL; BLOWER, 48 BLADES, CCW, CONCAVE DISC, 10.62 X 10.68                                      |
| SCR02112 | 13            | 4        | SCREW; ASSEMBLY-MOTOR MOUNT   |
| HUS03804 | 14            | 1        | HOUSING; BLOWER LEFT SIDE WITH 4 MOUNTING HOLES, MOLDED GLASS FIBER POLYESTER, COLOR: NATURAL   |

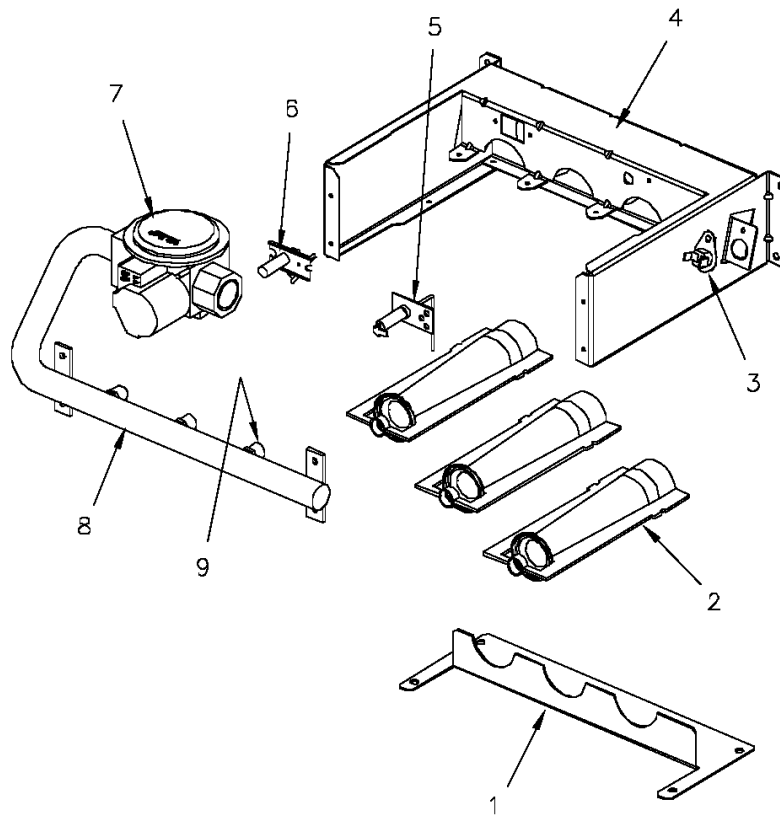
| Part No.     | Reference No. | Quantity | Description       |
|--------------|---------------|----------|-------------------|
| 0000010810~P | *             |          | BURNER PARTS LIST |

Burner

75008704

REV  
A

Typical illustration. Unit may not appear exactly as shown.



| Part No. | Reference No. | Quantity | Description   |
|----------|---------------|----------|---|
| RTR00833 | 1             | 1        | RETAINER; BURNER, 10.53 L   |
| BNR01071 | 2             | 3        | BURNER; 0.60 ID INSHOT BURNER, 0.036 THK 304 STAINLESS STEEL                          |
| SWT02945 | 3             | 1        | SWITCH; TEMP, 200 OPEN/CLOSE MANUAL, 25 AMP AT 240V, 125V PILOT DUTY, STAINLESS STEEL |
| BRK03606 | 4             | 1        | BRACKET; BURNER   |
| SEN00297 | 5             | 1        | SENSOR; FLAME   |
| IGN00135 | 6             | 1        | IGNITER; ELECTRODE, 22 INCH LEAD  |
| VAL09034 | 7             | 1        | VALVE; GAS, 2 STAGE, 1/2-14 NPT, 24V, 50/60 HZ, "J" SERIES                            |
| MFD01334 | 8             | 1        | MANIFOLD; ASSEMBLY-GAS, INCLUDES (3) ORF01406   |
| ORF01406 | 9             | 3        | ORIFICE; GAS, .1040 DIA, # 37 DRILL, SPUD   |

| Part No.     | Reference No. | Quantity | Description                |
|--------------|---------------|----------|----------------------------|
| 0000010785~P | *             |          | CABINET - LOWER PARTS LIST |

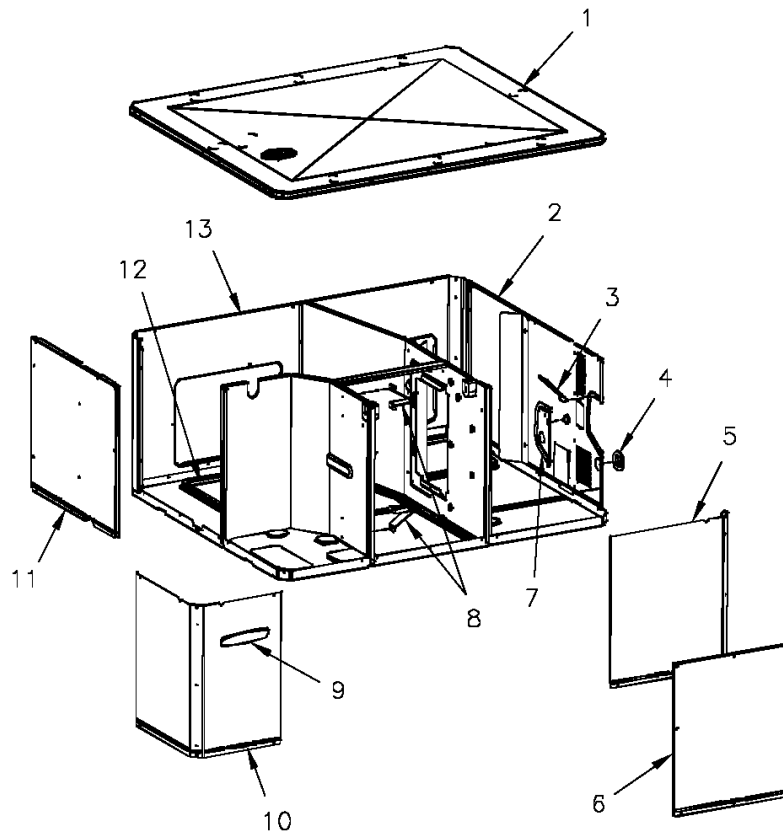
Cabinet

75008399

REV  
A

lower

Typical illustration. Unit may not appear exactly as shown.



View is determined by facing Appearance Nameplate

| Part No. | Reference No. | Quantity | Description   |
|----------|---------------|----------|---|
| BAF01248 | *             | 1        | BAFFLE; AIR, 18 IN HIGH                               |
| GRM00118 | *             | 1        | GROMMET; 3/16 IN ID, NEOPRENE                         |
| GRM00129 | *             | 2        | GROMMET; SCREW  |
| HOD00519 | *             | 1        | HOOD; ASSEMBLY, FLUE                                  |
| PNL26584 | *             | 1        | PANEL; BLOWER BARRIER, 41.05 X 21.15                  |
| PNL28755 | *             | 1        | PANEL; COMPRESSOR BARRIER, 27.22 W X 21.15 H          |
| SHD00424 | *             | 1        | SHIELD; LOUVER, BOTTOM, 6.0 X 4.0                     |
| COV03696 | 1             | 1        | COVER; INDOOR, TOP, 48.61 X 41.08                     |
| PNL22038 | 2             | 1        | PANEL; GAS HEAT ACCESS, 36.00 X 20.91                 |
| SHD00397 | 3             | 1        | SHIELD; LOUVER, TOP, 5.0 X 1.9                        |
| BUS00616 | 4             | 1        | BUSHING; 1.62 DIA                                     |
| PNL22000 | 5             | 1        | PANEL; CONTROL/HEAT ACCESS, 17.93 X 20.70             |
| PNL22013 | 6             | 1        | PANEL; BLOWER ACCESS, 17.63 X 20.70                   |
| PNL22042 | 7             | 1        | PANEL; GAS HEAT, 7.81 X 4.50                          |
| BRK03541 | 8             | 2        | BRACKET; BLOWER SUPPORT, V-SHAPED, 3.13 X 2.75 X 1.50 |
| PLT04289 | 9             | 1        | PLATE; APPEARANCE, TRANE, XL14C, 9.0 X 1.8            |
| PNL21998 | 10            | 1        | PANEL; COMPRESSOR ACCESS, 20.7 X 12.7 & 20.7 X 15.5   |
| PNL22039 | 11            | 1        | PANEL; INDOOR COIL ACCESS, 22.42 X 20.70              |
| COV03698 | 12            | 2        | COVER; SUPPLY AND RETURN, 15.88 X 11.88               |
| PNL22197 | 13            | 1        | PANEL; SUPPLY AND RETURN, 48.41 X 20.88               |

| Part No.     | Reference No. | Quantity | Description                |
|--------------|---------------|----------|----------------------------|
| 0000010786~P | *             |          | CABINET - UPPER PARTS LIST |

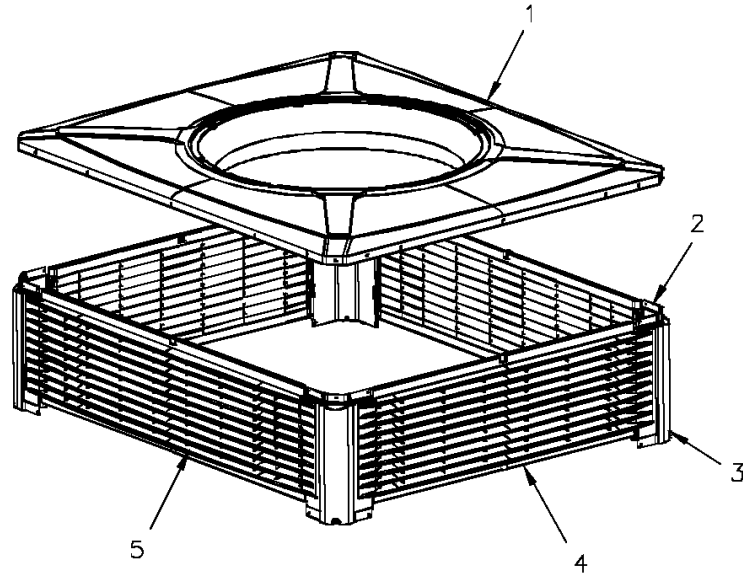
Cabinet

75008361

REV  
A

upper

Typical illustration. Unit may not appear exactly as shown.



| Part No. | Reference No. | Quantity | Description   |
|----------|---------------|----------|---|
| BRK03610 | *             | 16       | BRACKET; PLASTIC LOUVER, 2.0 X .63 X .53  |
| SUP05014 | *             | 3        | SUPPORT; OD COIL, BOTTOM, 4X4, INCLUDES GASKET                                    |
| SUP05015 | *             | 3        | SUPPORT; OD COIL, TOP, 4X4, INCLUDES GASKET                                       |
| TUB12284 | *             | 3        | TUBE; SUPPORT, TOP PIPE, .75 DIA, SCHEDULE 40 GREY PVC, 14.46 INCHES              |
| COV03694 | 1             | 1        | COVER; OUTDOOR, TOP, 48.61 X 41.08  |
| PNL22002 | 2             | 4        | PANEL; CORNER POST, 13.84 H   |
| GRD01907 | 3             | 4        | GUARD; BUMPER, UPPER CORNER, 12.81 H X 6.83 W                                     |
| PNL23824 | 4             | 2        | PANEL; PLASTIC LOUVER, 43.40 X 13.40 - INCLUDES SPEED NUTS AND MOUNTING BRACKETS. |
| PNL23823 | 5             | 2        | PANEL; PLASTIC LOUVER, 35.86 X 13.40 - INCLUDES SPEED NUTS AND MOUNTING BRACKETS. |

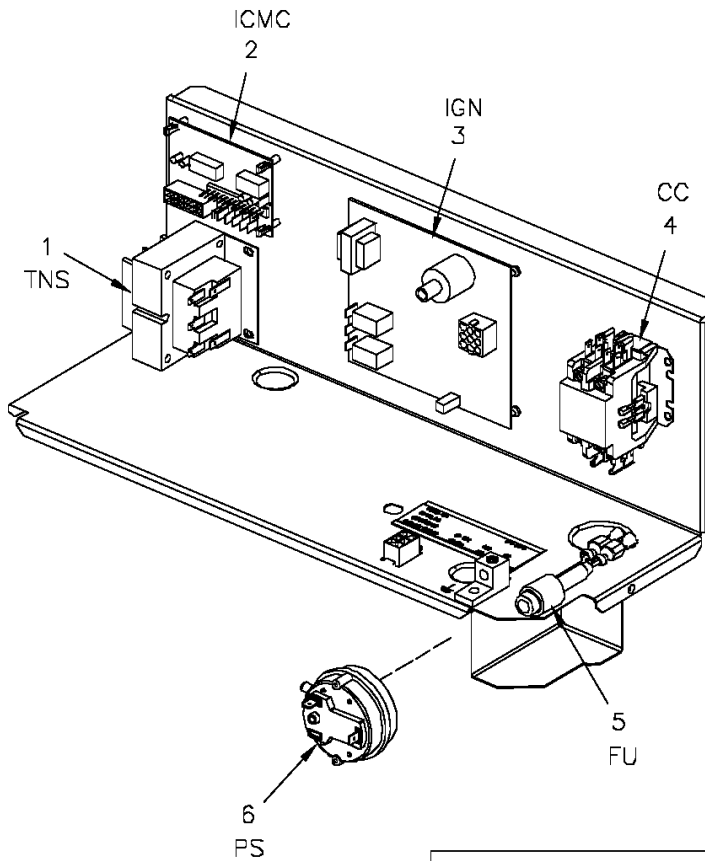
| Part No.     | Reference No. | Quantity | Description         |
|--------------|---------------|----------|---------------------|
| 0000010800~P | *             |          | CONTROLS PARTS LIST |

Controls

75008706

REV  
A

Typical illustration. Unit may not appear exactly as shown.



| LEGEND |                                   |
|--------|-----------------------------------|
| CC     | Compressor Motor Coil             |
| FU     | Fuse                              |
| ICMC   | Integrated Commuted Motor Control |
| IGN    | Ignition Control Module           |
| PS     | Pressure Switch                   |
| TNS    | Transformer                       |

| Part No. | Reference No. | Quantity | Description   |
|----------|---------------|----------|---|
| LUG00014 | *             | 1        | LUG, GROUND   |
| WIR07329 | *             | 1        | WIRE; CONTROL HARNESS   |
| TRR01558 | 1             | 1        | TRANSFORMER; 75VA, 200/230V PRI, 24V SEC, QUICK CONNECTS  |
| CNT03600 | 2             | 1        | CONTROL; ICM FAN, PWB, 16 PIN   |
| CNT05135 | 3             | 1        | CONTROL; DUAL STAGE, DIRECT SPARK IGNITION MODULE   |
| CTR01333 | 4             | 1        | CONTACTOR; 2 POLE, NO, 40 FLA AT 240V, 50/60 HZ, 50 RES AMPS, 24V COIL, 40 FLA AT 277/480/600V  |
| FUS01776 | 5             | 1        | FUSE; 3.2 AMP, WITH HOLDER AND QUICK CONNECTS   |
| CNT05641 | 6             | 1        | CONTROL; AIR PRESSURE, SPST, 28VA PILOT DUTY AT 24 VAC, 125VA PILOT DUTY AT 125VAC, SNAP ACTING CONTACTS, OPERATING TEMP RANGE: -40 TO 190F |

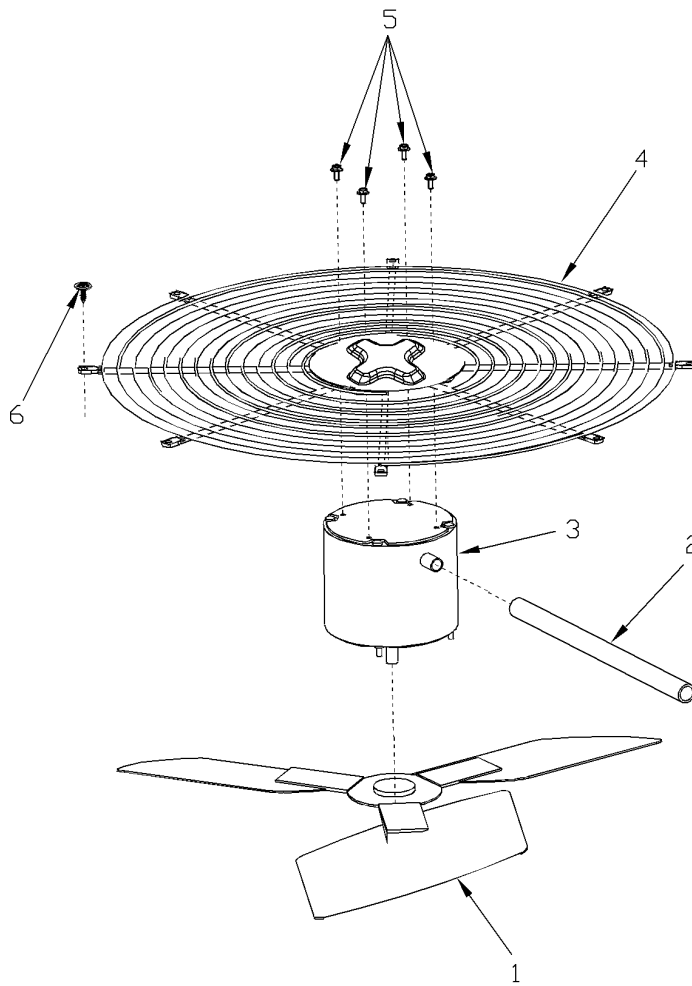
| Part No.     | Reference No. | Quantity | Description    |
|--------------|---------------|----------|----------------|
| 0000010802~P | *             |          | FAN PARTS LIST |

FAN

75005599

REV  
A

Typical Illustration. Unit may not appear exactly as shown.



| Part No. | Reference No. | Quantity | Description   |
|----------|---------------|----------|---|
| FAN03995 | 1             | 1        | FAN; SWEPT BLADE, 2 BLADE, ALUMINUM, 23.4 IN DIA, 32 DEGREES PITCH, .50 IN BORE, CCW, 1 SET SCREW-STEEL |
| GRD01633 | 2             | 1        | GUARD; TROUGH-LEAD  |
| MOT13832 | 3             | 1        | MOTOR; OUTDOOR, 1/5 HP, 200-230/60/1, 825 RPM, TYPE PSC, CCW, SLEEVE BEARINGS, 5 MFD CPT AT 370V        |
| GRL01529 | 4             | 1        | GRILL; OUTDOOR FAN, 26.0 IN MOUNTING DIA  |
| SCR02086 | 5             | 4        | SCREW; 10-32 TR-3 HXW 3/8 S   |

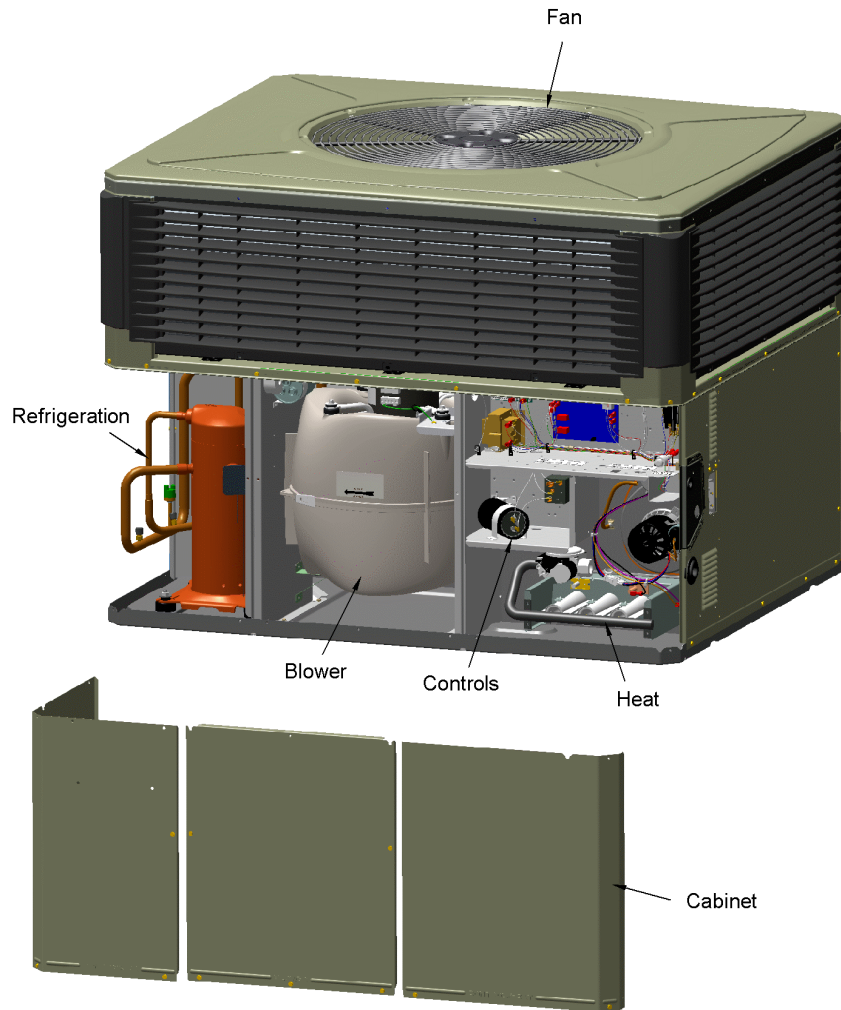
| Part No.    | Reference No. | Quantity | Description              |
|-------------|---------------|----------|--------------------------|
| 000008976~P | *             |          | GENERAL ASSEMBLY GRAPHIC |

PACKAGED UNITS

75010835

REV.  
A

TYPICAL ILLUSTRATION



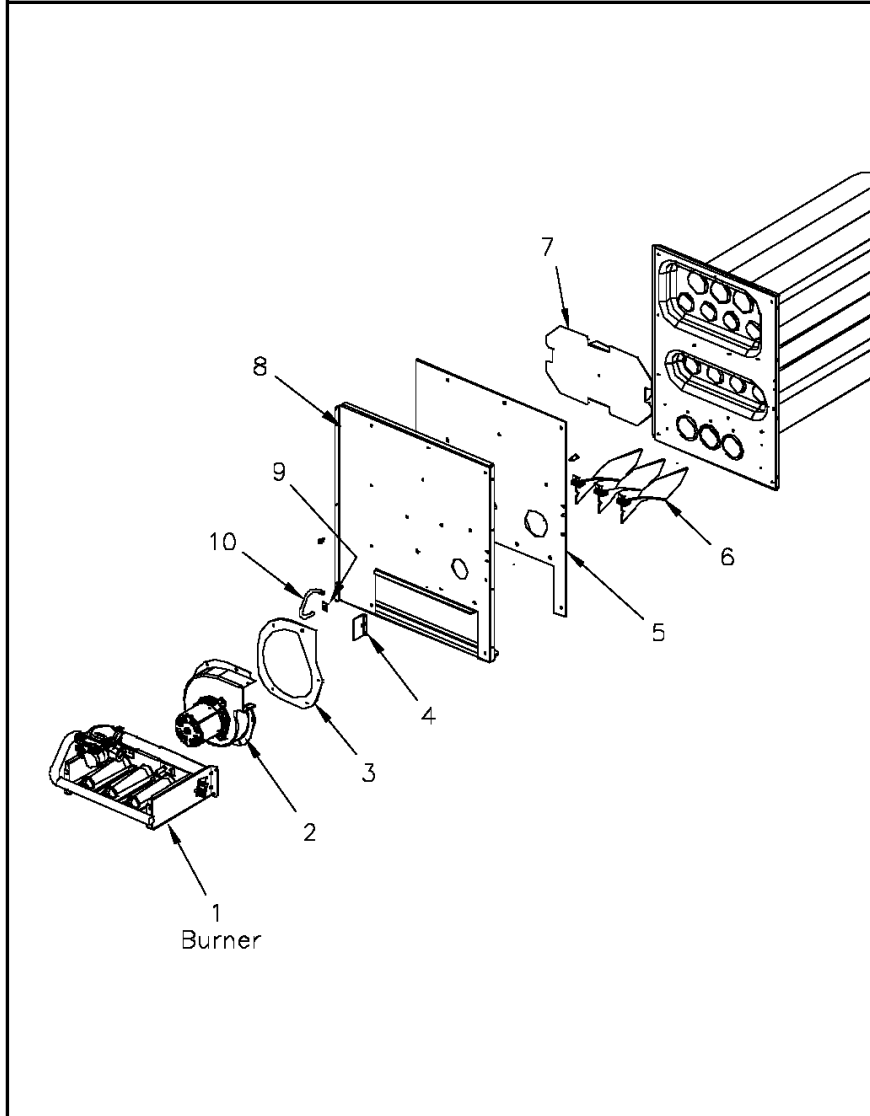
| Part No.     | Reference No. | Quantity | Description               |
|--------------|---------------|----------|---------------------------|
| 0000010806~P | *             |          | HEAT EXCHANGER PARTS LIST |

Heat

75008400

REV  
A

Typical illustration. Unit may not appear exactly as shown.



| Part No. | Reference No. | Quantity | Description   |
|----------|---------------|----------|---|
| BRK03603 | *             | 3        | BRACKET; TURBULATOR   |
| EXC02002 | *             | 1        | EXCHANGER; HEAT   |
| THT03060 | *             | 1        | THERMOSTAT; CONTROL, TEMP, SPST, OPEN 160F, CLOSE 110F  |
| BLW01311 | 2             | 1        | BLOWER; INDUCER, 208-230/60/1, 2800/1500 RPM, 1/39 HP, 0.25 AMPS, 2 MFD CPT AT 370 VAC, 3 PIN CONNECTOR, INCLUDES GKT04075. |
| GKT04075 | 3             | 1        | GASKET; INDUCER BLOWER  |
| RSR00215 | 4             | 1        | RESTRICTOR; FLUE OUTLET   |
| GKT04063 | 5             | 1        | GASKET; COLLECTOR BOX, 20.96 X 14.82  |
| TRB00121 | 6             | 3        | TURBULATOR; AND BRACKET ASSEMBLY  |
| SHD00398 | 7             | 1        | SHIELD; HEAT, STAINLESS STEEL, 12.77 X 7.32   |
| BOF01930 | 8             | 1        | BLOCKOFF; BARRIER-GAS HEAT, 21.16 X 18.30   |
| CLP00940 | 9             | 1        | CLIP; STATIC, RETAINER, .80 X .56 X .022  |
| TUB05375 | 10            | 1        | TUBE; CONNECTING PRESSURE SW, 3/16 ID X 9 IN LENGTH   |

| Part No.    | Reference No. | Quantity | Description          |
|-------------|---------------|----------|----------------------|
| 000008616~P | *             |          | MODEL NUMBER GRAPHIC |

MODEL NUMBER DESCRIPTION  
PACKAGED UNITS

75011470

REV  
C

*Example Model Number:*  
**4 Y C Y 5 0 4 8 A 1 0 9 0 A A**  
1 - - - 5 - - - 10 - - - 15

**Digit 1 – Refrigerant**  
4 = R-410A

**Digit 2 – Type**  
Y = Gas Electric  
W = Heat Pump  
D = Dual Fuel  
T = Air Conditioner

**Digit 3 – Model Tier**  
C = Convertible  
H = Horizontal (only)

**Digit 4 – Model Tier**  
C = Entry Level  
X = Upgrade  
Y = Premium  
Z = Leadership - (2-Stage)  
A = RunTru Brand

**Digit 5 – Efficiency Tier**  
3 = 13 SEER  
4 = 14 SEER  
5 = 15 SEER  
6 = 16 SEER

**Digits 6,7,8 – Capacity in 1000's (BTUH)**  
018      042  
024      048  
030      060  
036

**Digit 9 – Major Design Change**

**Digit 10 – Voltage & Phase**  
1 = 230V 1 Phase  
3 = 230V 3 Phase  
4 = 460V 3 Phase

**Digit 11,12,13 – Gas Heat Input (MBTU/H)**  
000 (AC or HP)    075  
040                    096  
064                    120

**Digit 14 – Minor Design Change**

**Digit 15 – Service Digit - Not Orderable**

| Part No.     | Reference No. | Quantity | Description               |
|--------------|---------------|----------|---------------------------|
| 0000010844~P | *             |          | OPTIONAL ACCESSORIES LIST |

| Part No.  | Reference No. | Quantity | Description  |
|-----------|---------------|----------|--|
| BAYUV101A | *             | 1        | 25 WATT UV LIGHT KIT FOR SMALL PACKAGED UNITS  |
| ECN00111  | *             | 1        | ECONOMIZER; DOWN DISCHARGE, AND RAIN HOOD (BAYECON101AA)                                   |
| ECN00113  | *             | 1        | ECONOMIZER; HORIZONTAL (BAYECON200AA)  |
| KIT03361  | *             | 1        | KIT; LIFTING LUGS-BAYLIFT002B (CTN = 6 PIECES)   |
| KIT06658  | *             | 1        | KIT; ENTHALPY CONTROL (BAYENTH001AB)   |
| KIT13551  | *             | 1        | KIT; CURB ADAPTER (BAYADAP050AA)   |
| KIT13552  | *             | 1        | KIT; CURB ADAPTER (BAYADAP051AA)   |
| KIT13557  | *             | 1        | KIT; CRANKCASE HEATER, 230V SCROLL COMPRESSORS (BAYCCHT102AA) 6.5-7.5 DIA, 60W, 110L       |
| KIT13559  | *             | 1        | KIT; 12 INCH DUCT SHROUD COVERS HORIZONTAL (BAYCOVR112AA)                                  |
| KIT13560  | *             | 1        | KIT; 18 INCH DUCT SHROUD COVERS HORIZONTAL (BAYCOVR118AA)                                  |
| KIT13561  | *             | 1        | KIT; FULL PERIMETER ROOF MOUNTING CURB (BAYCURB050AA)                                      |
| KIT13563  | *             | 1        | KIT; OUTSIDE AIR, 2 POS DAMPER (BAYDMPR101AA)  |
| KIT13565  | *             | 1        | KIT; EXTREME CURB MOUNTING (BAYEXMK001AA)  |
| KIT13567  | *             | 1        | KIT; EXTREME CURB MOUNTING (BAYEXMK003AA)  |
| KIT13569  | *             | 1        | KIT; LP CONVERSION (BAYLPKT101AA)  |
| KIT13571  | *             | 1        | KIT; OUTSIDE AIR, MANUAL DAMPER (BAYOSAH001AA)   |
| KIT13574  | *             | 1        | KIT; QUICK START (BAYQSTK301AA)  |
| KIT13575  | *             | 1        | KIT; SQUARE/ROUND DUCT ADAPTER (BAYSQRD001AA)  |
| KIT13576  | *             | 1        | KIT; SQUARE/ROUND DUCT ADAPTER (BAYSQRD002AA)  |
| KIT13650  | *             | 1        | KIT; UNCASSED COIL ENCLOSURE ASSEMBLY, 22.63 X 17.50 X 21.50, BAYCLE17A1722AA              |
| KIT15096  | *             | 1        | KIT; FILTER FRAME (BAYFLTR101BA). USE ONE 20 X 25 FILTER - NOT INCLUDED.                   |
| KIT15141  | *             | 1        | KIT; ACCESS DOOR, 1-1/2 TO 3 TON MODELS (BAYACCDOR1AA)                                     |
| KIT15323  | *             | 1        | KIT; EXTREME CURB MOUNTING (BAYEXMK002BA)  |
| KIT15325  | *             | 1        | KIT; SQUARE/ROUND DUCT ADAPTER (BAYUTIL101BA)  |
| KIT15403  | *             | 1        | KIT; ECONOMIZER, HINGED FILTER ACCESS DOOR AND FILTER FRAME (BAYECONCOMB101A)              |
| KIT15752  | *             | 1        | KIT; SUMP HEATER, 208/230V, 40W, BELLY BAND STYLE (BAYCCHT302), 74 IN LENGTH, 5.5 INCH DIA |
| TMR00140  | *             | 1        | TIMER; ANTISHORT CYCLE (BAYASCT001)  |

OUTDOOR COIL

Parts List Number :0000105548

Model Number :4YCY4036B3096AA

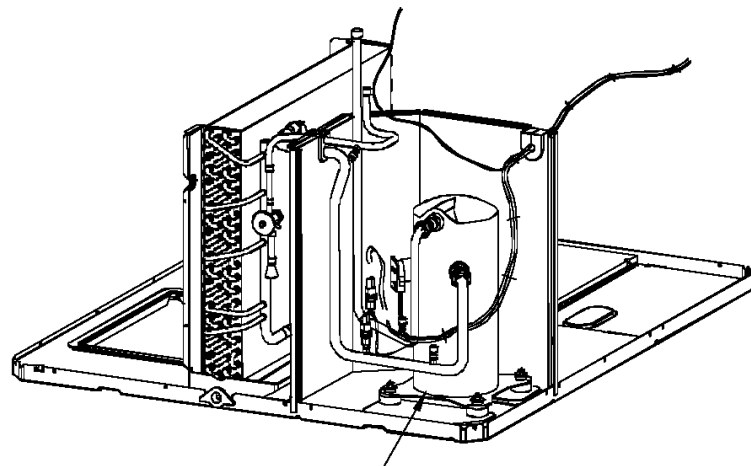
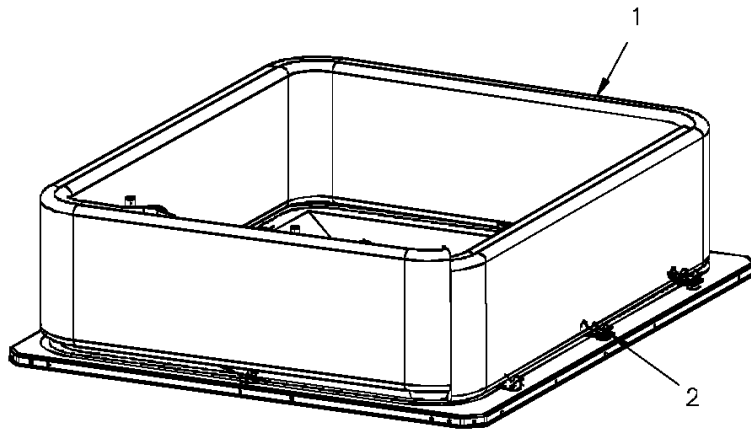
| Part No.     | Reference No. | Quantity | Description             |
|--------------|---------------|----------|-------------------------|
| 0000010816~P | *             |          | OUTDOOR COIL PARTS LIST |

Refrigeration

75008392

REV  
A

Typical illustration. Unit may not appear exactly as shown.



3

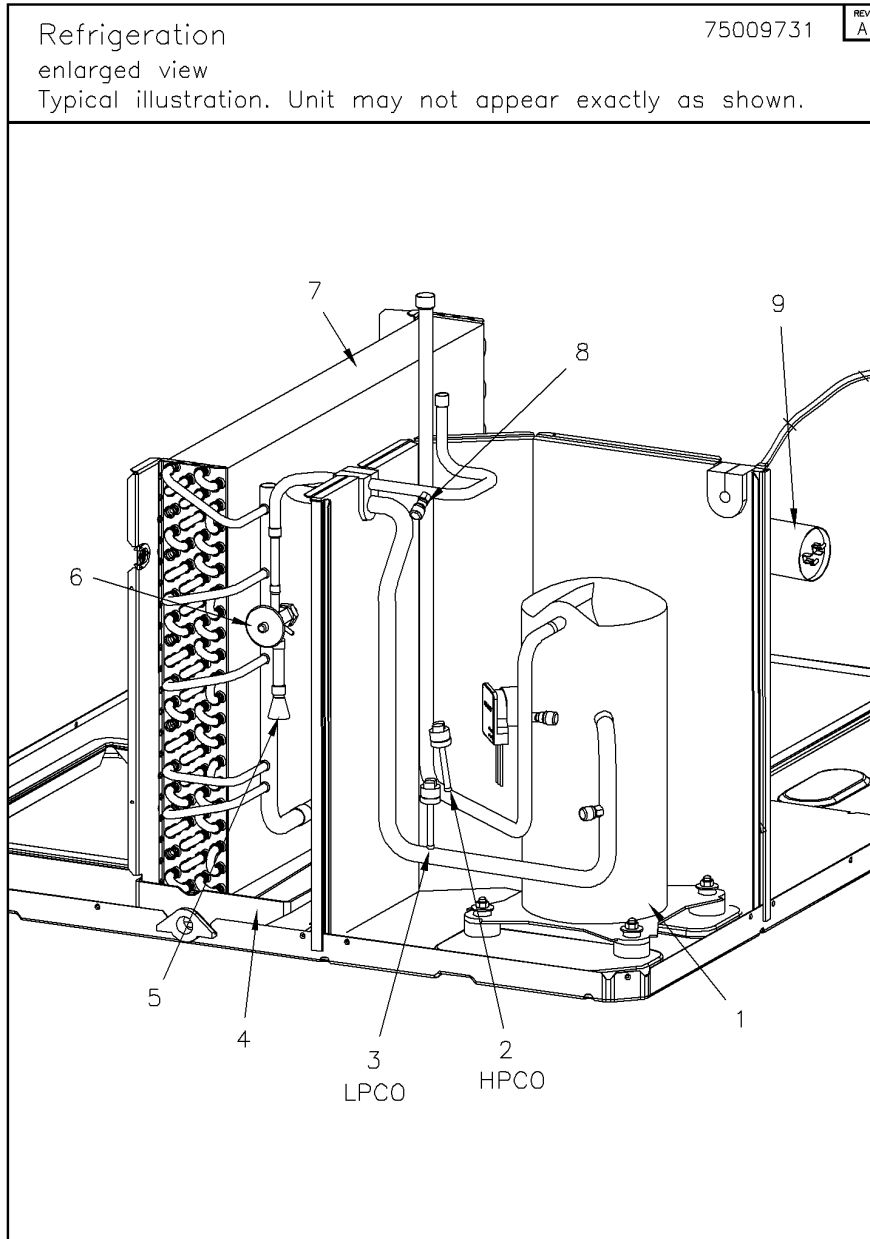
Enlarged View

| Part No. | Reference No. | Quantity | Description  |
|----------|---------------|----------|--|
| DHY01456 | *             | 1        | DRIER; LIQUID LINE; SERVICE FIRST; 5 CU. IN.; DCL054/3S, 1/2 ODF INLET X 3/8 ODF OUTLET; 5.4 TON CAPACITY; APPROVED FOR MINERAL OIL AND POE OIL REFRIG |
| COL19226 | 1             | 1        | COIL; OUTDOOR, SPINE FIN   |
| SPC00391 | 2             | 8        | SPACER; OUTDOOR COIL, 2.50 X 1.31. INCLUDES GASKET.  |

Parts List Number :0000105548

Model Number :4YCY4036B3096AA

| Part No.     | Reference No. | Quantity | Description              |
|--------------|---------------|----------|--------------------------|
| 0000010813~P | *             |          | REFRIGERATION PARTS LIST |



| Part No. | Reference No. | Quantity | Description  |
|----------|---------------|----------|--|
| BLT00809 | *             | 4        | BOLT; CARRIAGE, 5/16-18 X 1-3/4  |
| BOD00114 | *             | 3        | BODY; VALVE, BRASS, 7/16 HEX, 7/16 -20 UNF-2A  |
| GKT01820 | *             | 4        | GASKET; 3/4 OD X 7/16 ID X .06 THK   |
| ISR00007 | *             | 4        | ISOLATOR; VIBRATION  |
| NUT00355 | *             | 4        | NUT; HEX, LOCK, 5/16IN.-18   |
| NUT00890 | *             | 4        | NUT; PALLET, 5/16-18 UNC 2B THD.   |
| WAS00638 | *             | 4        | WASHER; FLAT, 5/16 INCH  |
| WIR04494 | *             | 1        | WIRE; PLUG, SCROLL COMPRESSOR  |
| COM10033 | 1             | 1        | COMPRESSOR; SCROLL, SXA031C3BPZ, 2.58 TON, 200/230/60/3, R410A, RED                        |
| SWT03696 | 2             | 1        | SWITCH; HIGH PRESSURE, SPST, OPEN @ 650 PSIG, CLOSE @ 500 PSIG, 74" LEADS                  |
| SWT03694 | 3             | 1        | SWITCH; LOW PRESSURE, OPEN @ 50 PSIG, CLOSE @ 70 PSIG, 69" LEADS                           |
| PAN02888 | 4             | 1        | PAN; DRAIN, BLACK PVC, 29.58 X 7.75  |
| TUB11685 | 5a            | 1        | TUBE; ASSEMBLY, INDOOR DISTRIBUTOR   |
| DST00895 | 5b            | 1        | DISTRIBUTOR; 5 OUTLETS, 19 ODS, .50 ODM INLET, BRASS                                       |
| VAL08716 | 6a            | 1        | VALVE; EXPANSION W/ SWEAT FITTINGS, 3 TON, 3/8 IN INLET X 1/2 IN OUTLET, 91/87 PSIG, R410A |
| TUB11605 | 6b            | 1        | TUBE; ASSEMBLY, INDOOR FLOW CONTROL, R410A   |
| COL14532 | 7             | 1        | COIL; INDOOR, FLAT FIN   |
| CAP00455 | 8a            | 3        | CAP; HUB, 7/16-20 STRAIGHT   |
| COR00103 | 8b            | 3        | CORE; VALVE, .79 LENGTH, .206-36 UNS-1 MOD. THD  |
| CPT00266 | 9             | 1        | CAPACITOR; RUN, 5 MFD, 370V, OVAL, W/O RESISTOR  |