

General Assembly

75008387

REV
A

Typical illustration. Unit may not appear exactly as shown.



Part No.	Reference No.	Quantity	Description
75008387_4YCX3UP2_169766~P	*		4YCX3UP2 PARTS LIST
75008351#4YCX3UP2~S	*		BLOWER
75008397#4YCX3UP2~S	*		CABINET
75009042#4YCX3UP2~S	*		CONTROLS
75005599#4YCX3UP2~S	*		FAN
75008400#4YCX3UP2~S	*		HEAT
75008692#4YCX3UP2~S	*		MODEL NOMENCLATURE
NGRAPHIC#4YCX3UP2~S	*		OPTIONAL FIELD INSTALLED ACCESSORIES
75008392#4YCX3UP2~S	*		REFRIGERATION

General Assembly

75008387

REV
A

Typical illustration. Unit may not appear exactly as shown.

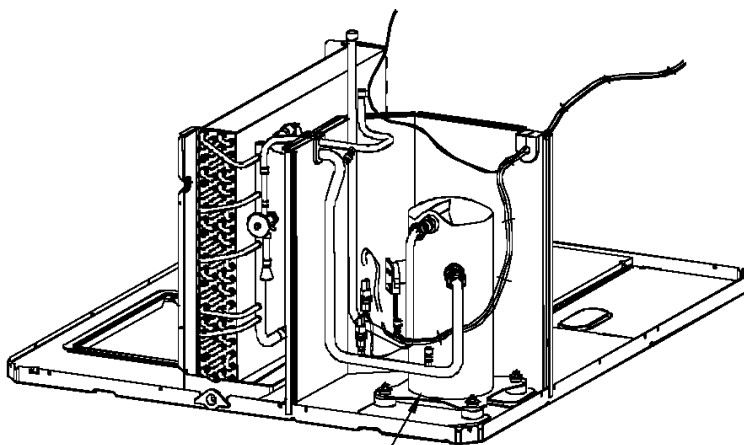
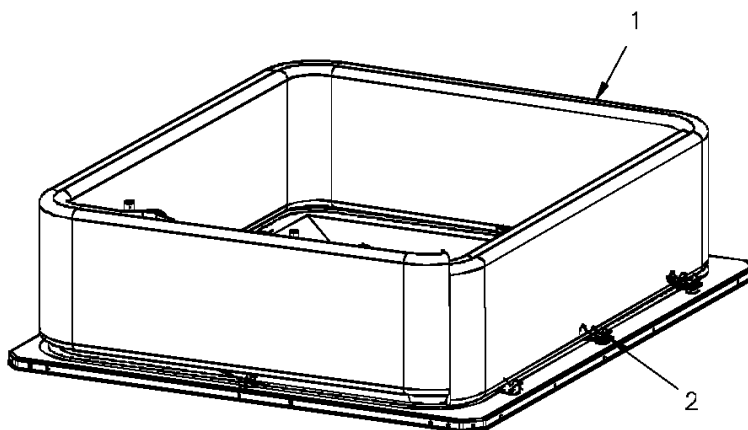


Refrigeration

75008392

REV
A

Typical illustration. Unit may not appear exactly as shown.



3

Enlarged View

Parts List Number :75008387#4YCX3UP2

Model Number :4YCX3048A1075BA

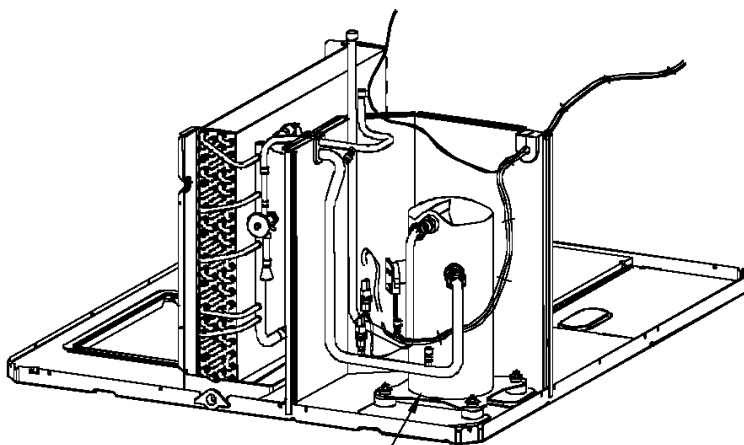
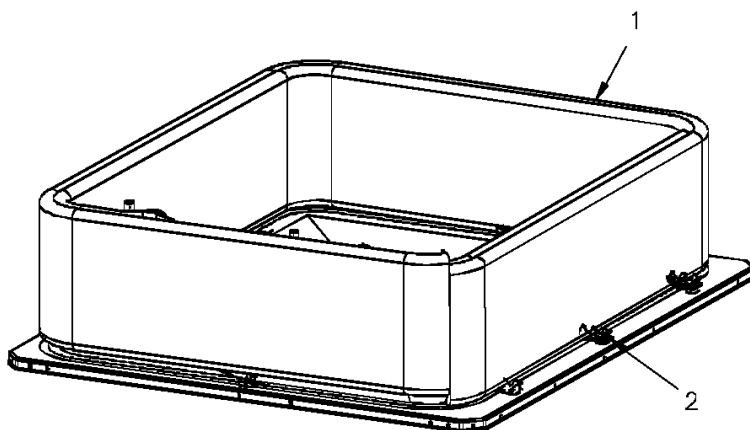
Part No.	Reference No.	Quantity	Description
75009731#4YCX3UP2~S	*		ENLARGED VIEW
75008392_4YCX3UP2_174072~P	*		REFRIGERATION PARTS LIST

Refrigeration

75008392

REV
A

Typical illustration. Unit may not appear exactly as shown.



3

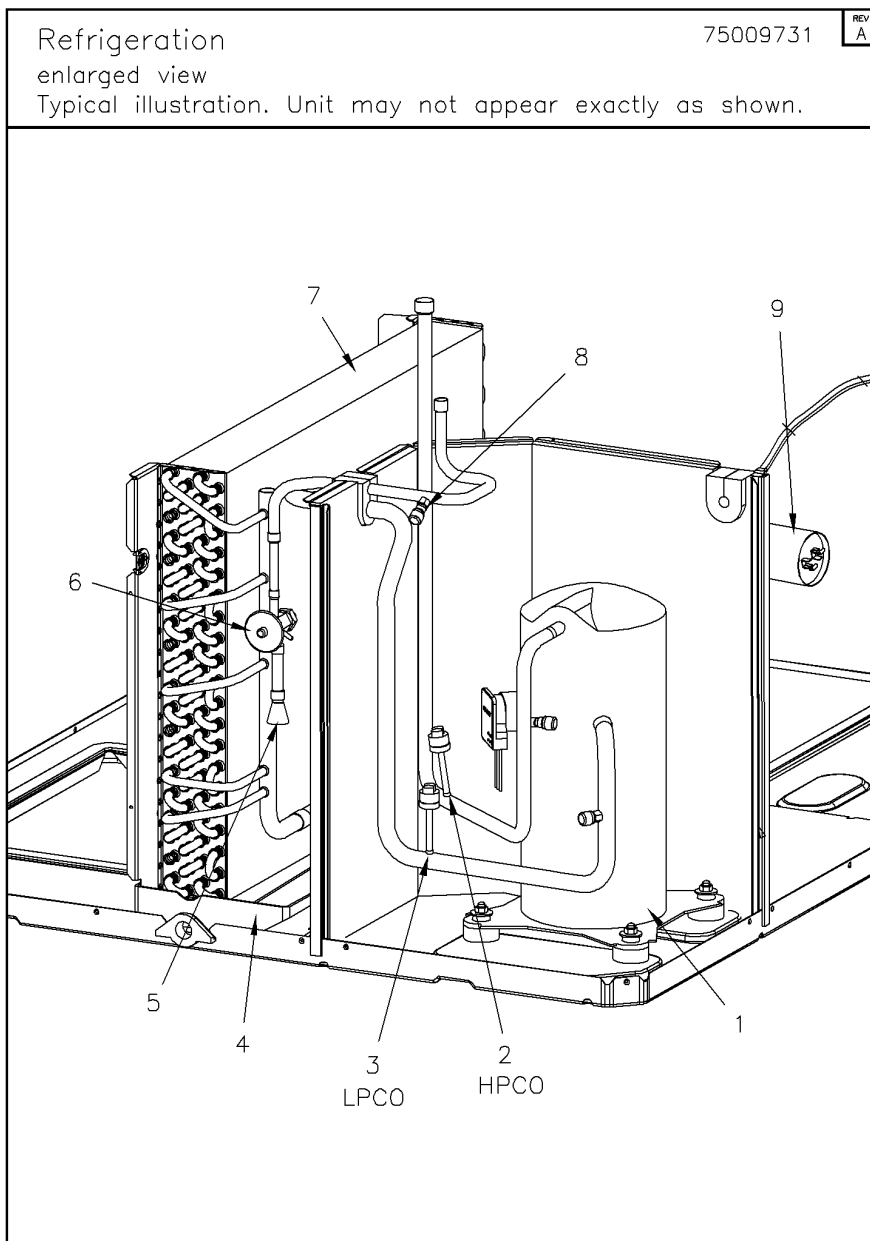
Enlarged View

REFRIGERATION PARTS LIST

Parts List Number :75008387#4YCX3UP2

Model Number :4YCX3048A1075BA

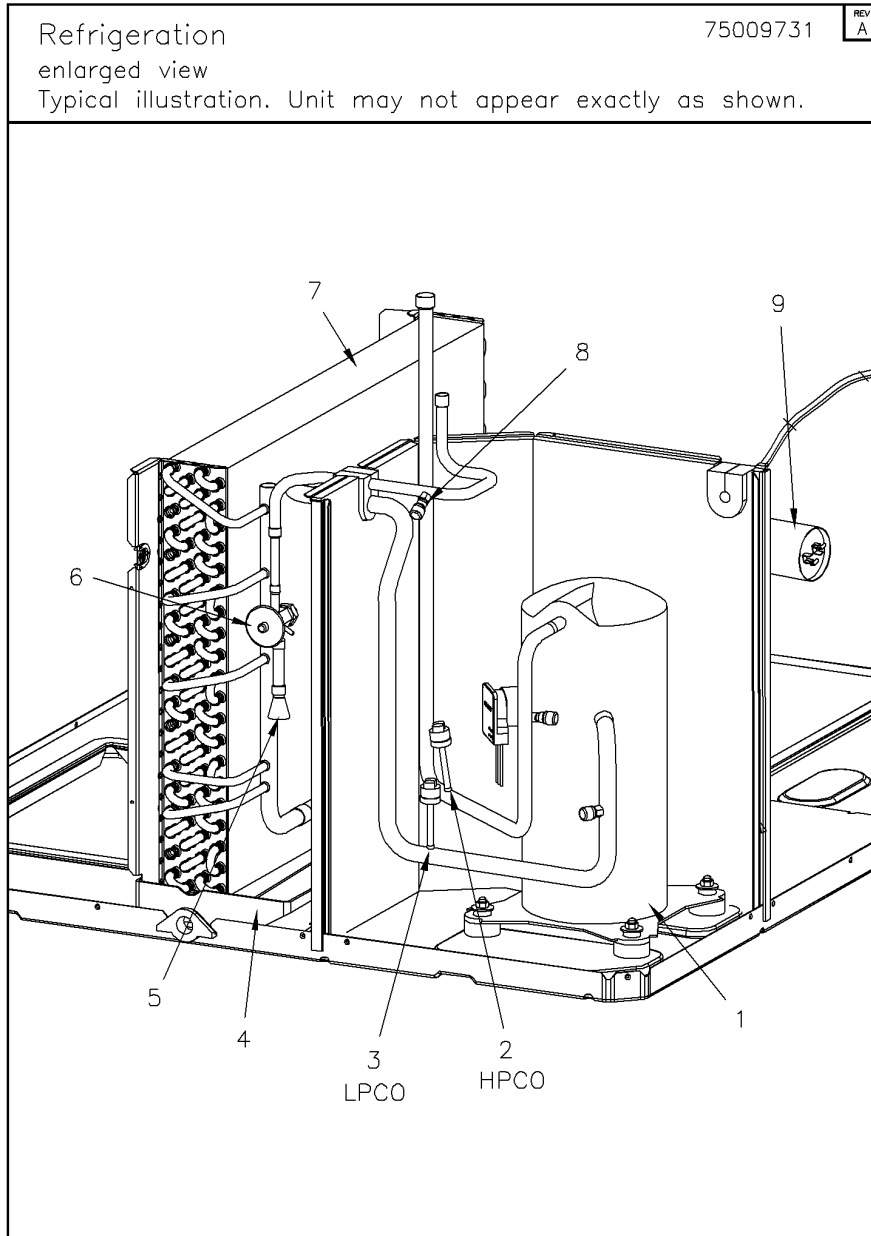
Part No.	Reference No.	Quantity	Description
COL18852	1	1	COIL; OUTDOOR, SPINE FIN
SPC00391	2	8	SPACER; OUTDOOR COIL, 2.50 X 1.31. INCLUDES GASKET.



Parts List Number :75008387#4YCX3UP2

Model Number :4YCX3048A1075BA

Part No.	Reference No.	Quantity	Description
75009731_4YCX3UP2_314961~P	*		ENLARGED VIEW PARTS LIST



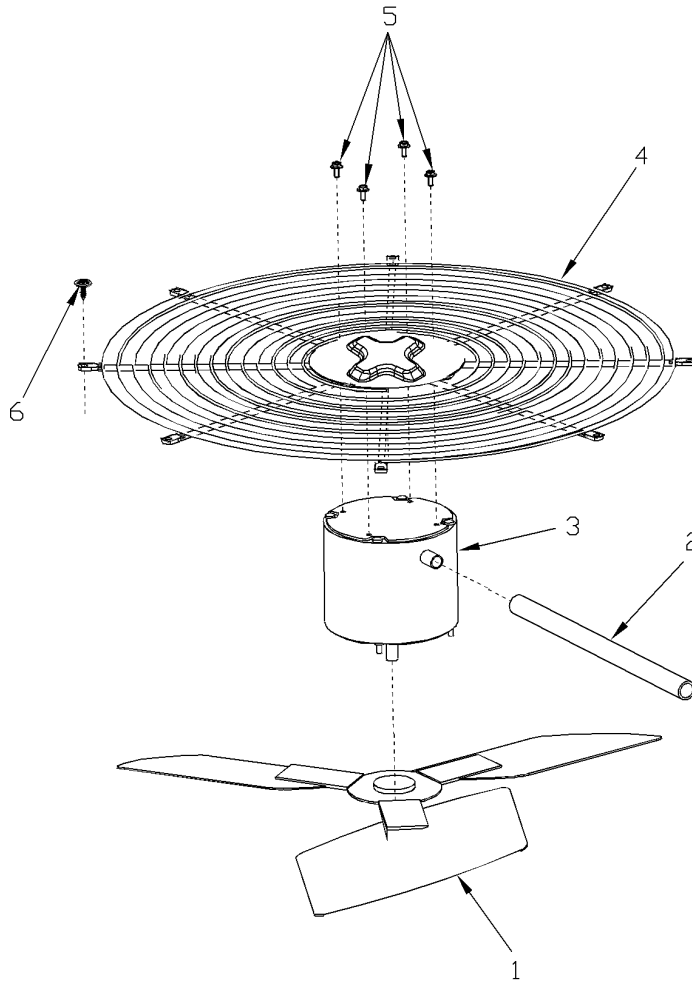
Part No.	Reference No.	Quantity	Description
BLT00809	*	4	BOLT; CARRIAGE, 5/16-18 X 1-3/4
BOD00114	*	3	BODY; VALVE, BRASS, 7/16 HEX, 7/16 -20 UNF-2A
DHY01456	*	1	DRIER; LIQUID LINE; SERVICE FIRST; 5 CU. IN.; DCL054/3S, 1/2 ODF INLET X 3/8 ODF OUTLET; 5.4 TON CAPACITY; APPROVED FOR MINERAL OIL AND POE OIL REFRIG
ISR00007	*	4	ISOLATOR; VIBRATION
NUT00355	*	4	NUT; HEX, LOCK, 5/16IN.-18
NUT00890	*	4	NUT; PALLET, 5/16-18 UNC 2B THD.
WAS00638	*	4	WASHER; FLAT, 5/16 INCH
WIR04495	*	1	WIRE; PLUG, SCROLL COMPRESSOR, 3-WIRE (BK,OR,RD), 72 IN TOTAL LENGTH
COM09756	1	1	COMPRESSOR; SCROLL, SXA042B1BPZ, 3.5 TON, 208-230/60/1, R410A
SWT03544	2	1	SWITCH; HIGH PRESSURE, SPST, OPEN @ 650 PSIG, CLOSE @ 500 PSIG, BRAZED
SWT03546	3	1	SWITCH; LOW PRESSURE, OPEN @ 50 PSIG, CLOSE @ 70 PSIG
PAN02889	4	1	PAN; DRAIN, BLACK PVC, 35.70 X 7.75
DST00896	5	1	DISTRIBUTOR; 6 OUTLETS, 19 ODS, .50 ODM INLET, BRASS
TUB11600	5	1	TUBE; ASSEMBLY, INDOOR DISTRIBUTOR
TUB11768	6	1	TUBE; ASSEMBLY, INDOOR FLOW CONTROL, R410A
VAL08718	6	1	VALVE; EXPANSION W/ SWEAT FITTINGS, 4 TON, 3/8 IN INLET X 1/2 IN OUTLET, 86/82 PSIG, R410A
COL13531	7	1	COIL; INDOOR, FLAT FIN
CAP00455	8	3	CAP; HUB, 7/16-20 STRAIGHT
COR00103	8	3	CORE; VALVE, .79 LENGTH, .206-36 UNS-1 MOD. THD
CPT00477	9	1	CAPACITOR; RUN, 7.5 MFD, 370VAC, OVAL, W/O RESISTOR
CPT01233	9	1	CAPACITOR; 70 MFD, 440V, ROUND, W/O RESISTOR

FAN

75005599

REV
A

Typical Illustration. Unit may not appear exactly as shown.



Parts List Number :75008387#4YCX3UP2

Model Number :4YCX3048A1075BA

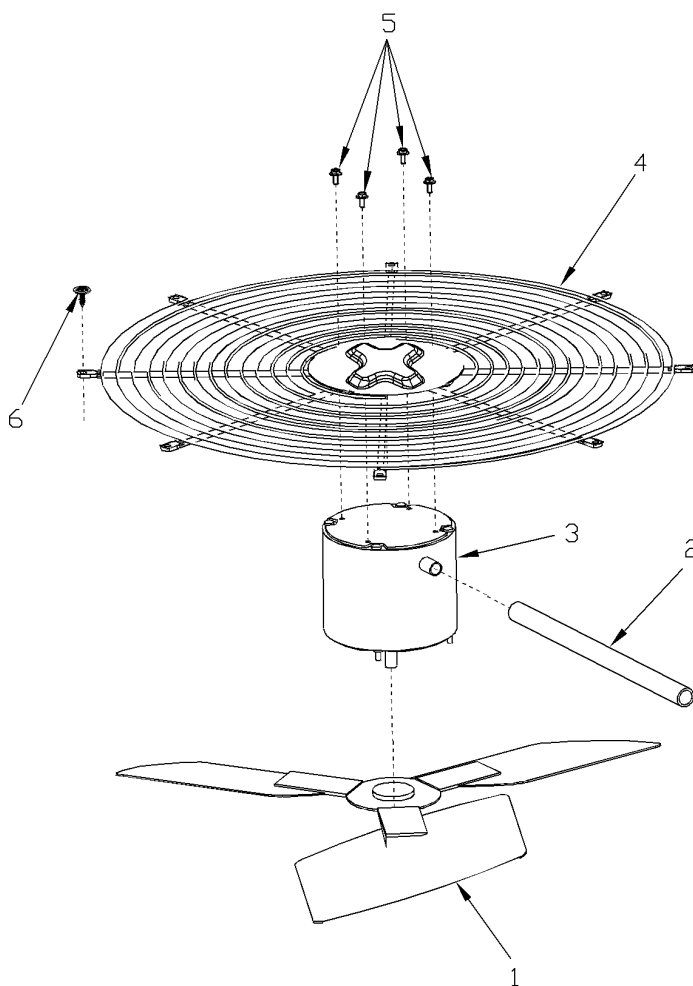
Part No.	Reference No.	Quantity	Description
75005599_4YCX3UP2_174069~P	*		FAN PARTS LIST

FAN

75005599

REV
A

Typical Illustration. Unit may not appear exactly as shown.



Parts List Number :75008387#4YCX3UP2

Model Number :4YCX3048A1075BA

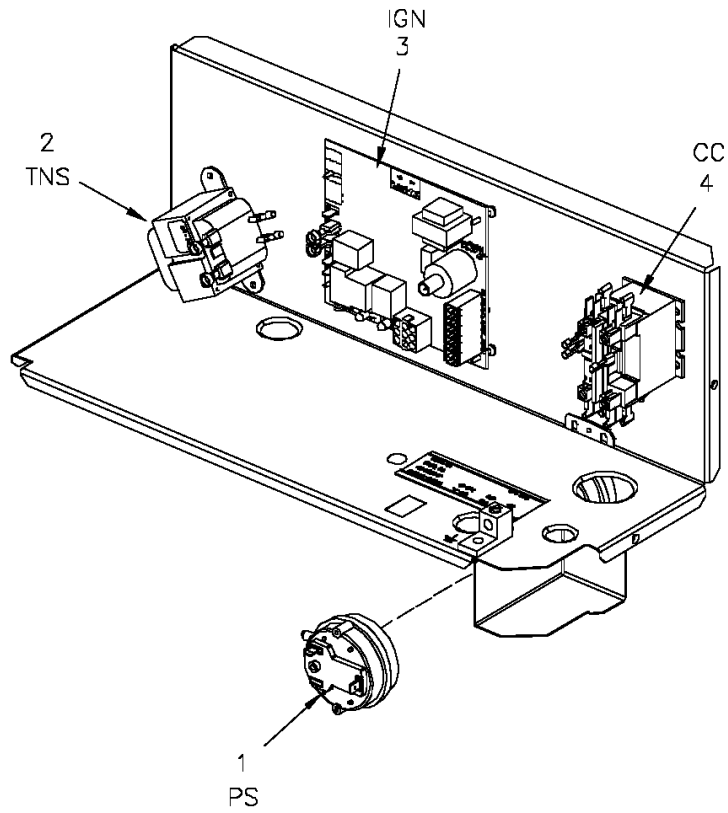
Part No.	Reference No.	Quantity	Description
FAN03849	1	1	FAN; SWEPT BLADE, 2 BLADE, ALUMINUM, 28 IN DIA, 30 DEG PITCH, .50 IN BORE, CCW, 1 SET SCREW-STEEL, FINISH/PAINT
GRD01440	2	1	GUARD; TROUGH-LEAD
MOT14320	3	1	MOTOR; OUTDOOR, 1/4 HP, 200-230/60/1, 825 RPM, TYPE PSC, CCW, BALL BEARINGS, 7.5 MFD CPT AT 370V
GRL01530	4	1	GRILL; OUTDOOR FAN, 30.64 IN MOUNTING DIA
SCR02086	5	4	SCREW; 10-32 TR-3 HW 3/8 S

Controls

75009042

REV
A

Typical illustration. Unit may not appear exactly as shown.



LEGEND	
CC	Compressor Motor Coil
IGN	Ignition Control Module
PS	Pressure Switch
TNS	Transformer

Parts List Number :75008387#4YCX3UP2

Model Number :4YCX3048A1075BA

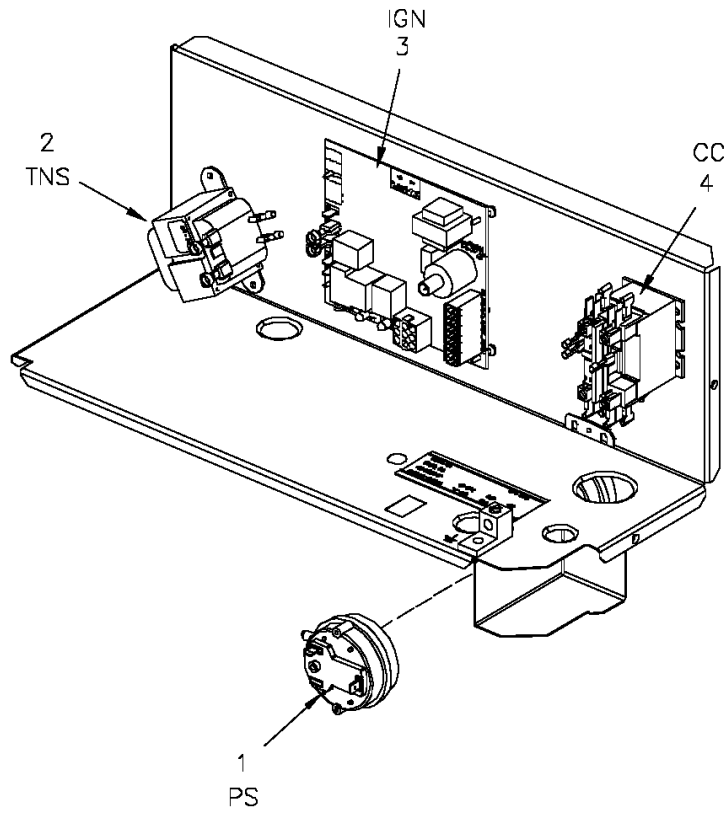
Part No.	Reference No.	Quantity	Description
75009042_4YCX3UP2_314962~P	*		CONTROLS PARTS LIST

Controls

75009042

REV
A

Typical illustration. Unit may not appear exactly as shown.



LEGEND	
CC	Compressor Motor Coil
IGN	Ignition Control Module
PS	Pressure Switch
TNS	Transformer

CONTROLS PARTS LIST

Parts List Number :75008387#4YCX3UP2

Model Number :4YCX3048A1075BA

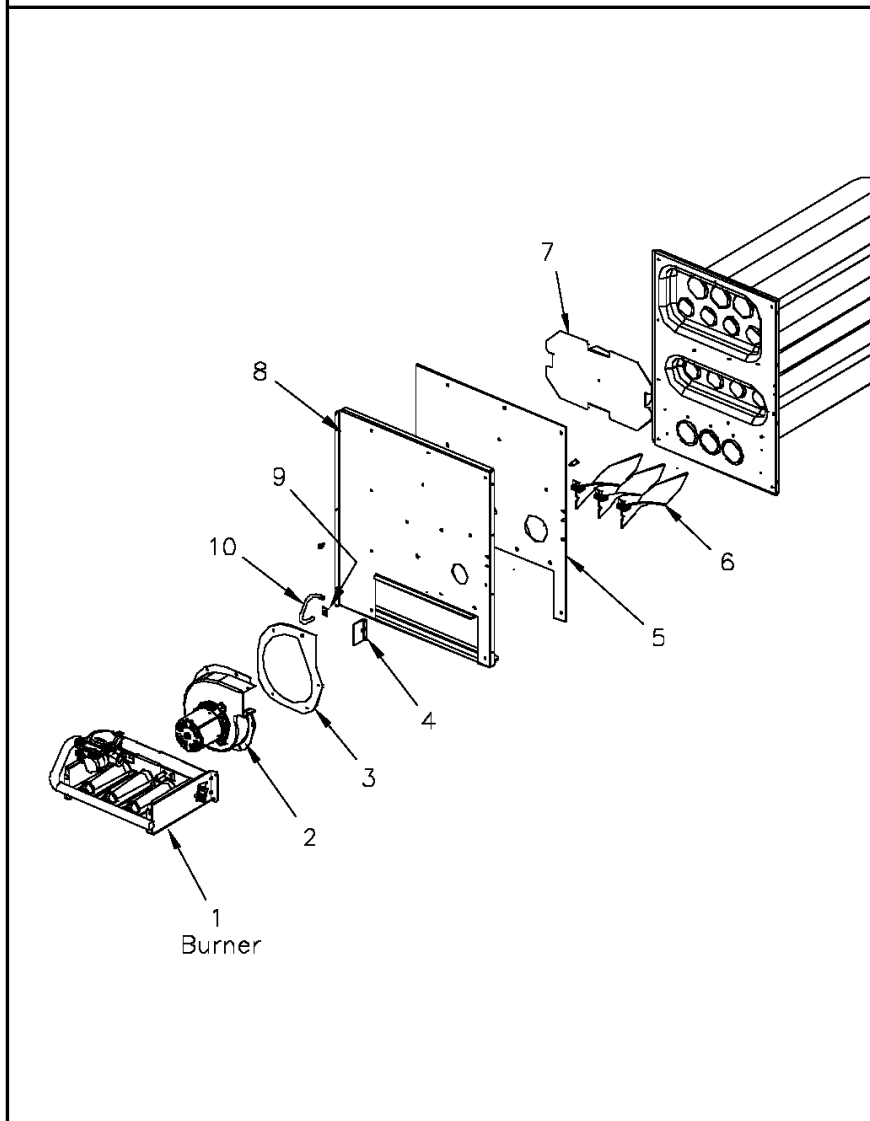
Part No.	Reference No.	Quantity	Description
LUG00014	*	1	LUG, GROUND
WIR06903	*	1	WIRE; HARNESS, CONTROL. INCLUDES PLU00325 AND CON00251
CNT05640	1	1	CONTROL; AIR PRESSURE, SPST, 28VA PILOT DUTY AT 24 VAC, 125VA PILOT DUTY AT 125VAC, SNAP ACTING CONTACTS, OPERATING TEMP RANGE: -40 TO 190F
TRR01898	2	1	TRANSFORMER; 50VA, 208/240V PRI, 24V SEC
CNT05133	3	1	CONTROL; SINGLE STAGE, DIRECT SPARK IGNITION MODULE
CTR01333	4	1	CONTACTOR; 2 POLE, NO, 40 FLA AT 240V, 50/60 HZ, 50 RES AMPS, 24V COIL, 40 FLA AT 277/480/600V

Heat

75008400

REV
A

Typical illustration. Unit may not appear exactly as shown.



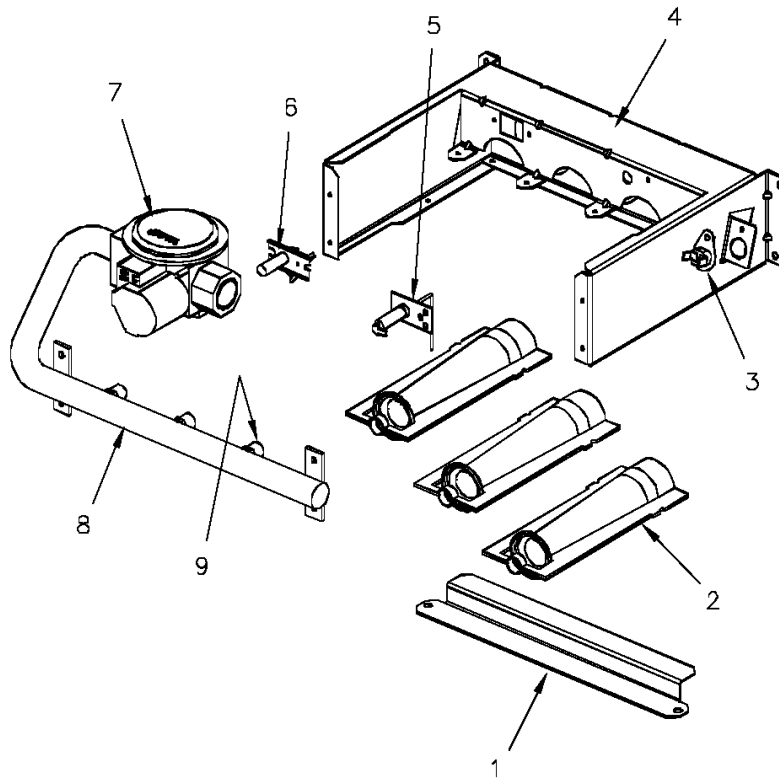
Part No.	Reference No.	Quantity	Description
75008401#4YCX3UP2~S	*		BURNER
75008400_4YCX3UP2_174077~P	*		HEAT PARTS LIST

Burner

75008401

REV
A

Typical illustration. Unit may not appear exactly as shown.



Parts List Number :75008387#4YCX3UP2

Model Number :4YCX3048A1075BA

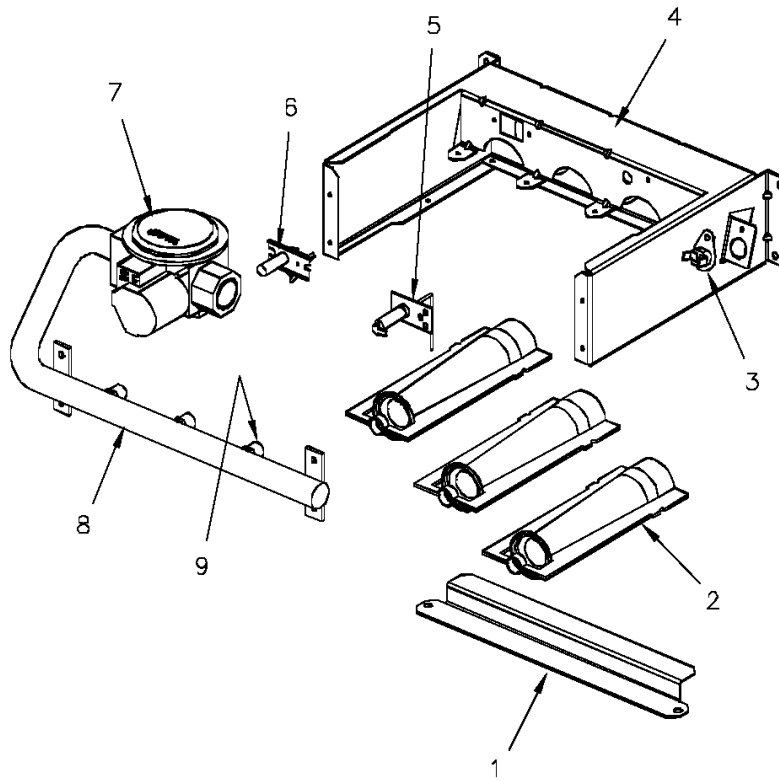
Part No.	Reference No.	Quantity	Description
75008401_4YCX3UP2_174079~P	*		BURNER PARTS LIST

Burner

75008401

REV
A

Typical illustration. Unit may not appear exactly as shown.



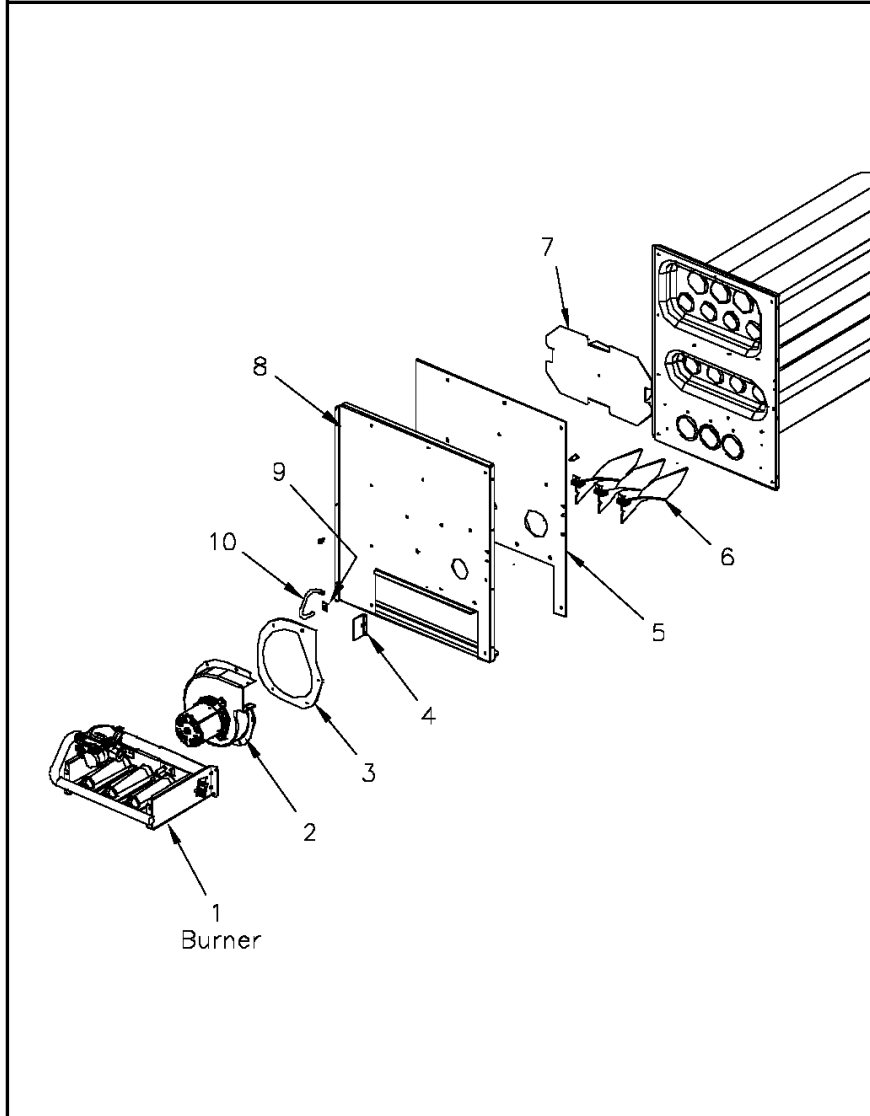
Part No.	Reference No.	Quantity	Description
RTR00831	1	1	RETAINER; BURNER, 10.53 L
BNR01071	2	2	BURNER; 0.60 ID INSHOT BURNER, 0.036 THK 304 STAINLESS STEEL
SWT02945	3	1	SWITCH; TEMP, 200 OPEN/CLOSE MANUAL, 25 AMP AT 240V, 125V PILOT DUTY, STAINLESS STEEL
BRK03605	4	1	BRACKET; BURNER
SEN00297	5	1	SENSOR; FLAME
IGN00135	6	1	IGNITER; ELECTRODE, 22 INCH LEAD
VAL09033	7	1	VALVE; GAS, 1/2-14 NPT, 24V, 50/60 HZ, "J" SERIES
MFD01152	8	1	MANIFOLD; GAS
ORF01334	9	2	ORIFICE; SPUD, #33, .113 DIA GREEN

Heat

75008400

REV
A

Typical illustration. Unit may not appear exactly as shown.



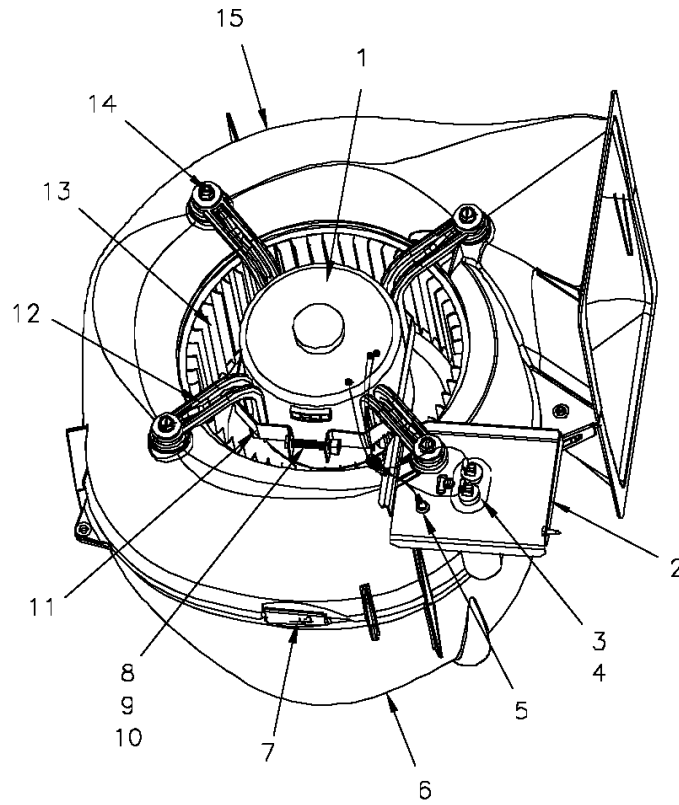
Part No.	Reference No.	Quantity	Description
BRK03603	*	2	BRACKET; TURBULATOR
EXC02003	*	1	EXCHANGER; HEAT
SHD00424	*	1	SHIELD; LOUVER, BOTTOM, 6.0 X 4.0
THT02545	*	1	THERMOSTAT; LIMIT SWITCH, OPEN AT 120F, CLOSE AT 100F
WEL00848	*	1	WELL; BULB, TAP, STATIC, 1.0 LENGTH X 0.50 OD X 0.281 OD X 0.125 ID
BLW01310	2	1	BLOWER; INDUCER, 208/230/60/1, 3480 RPM, 0.50 AMPS. INCLUDES GKT04075.
GKT04075	3	1	GASKET; INDUCER BLOWER
RSR00216	4	1	RESTRICTOR; FLUE OUTLET
GKT04063	5	1	GASKET; COLLECTOR BOX, 20.96 X 14.82
TRB00121	6	2	TURBULATOR; AND BRACKET ASSEMBLY
SHD00398	7	1	SHIELD; HEAT, STAINLESS STEEL, 12.77 X 7.32
BOF01930	8	1	BLOCKOFF; BARRIER-GAS HEAT, 21.16 X 18.30
CLP00940	9	1	CLIP; STATIC, RETAINER, .80 X .56 X .022
TUB05375	10	1	TUBE; CONNECTING PRESSURE SW, 3/16 ID X 9 IN LENGTH

Blower

75008351

REV
E

Typical illustration. Unit may not appear exactly as shown.



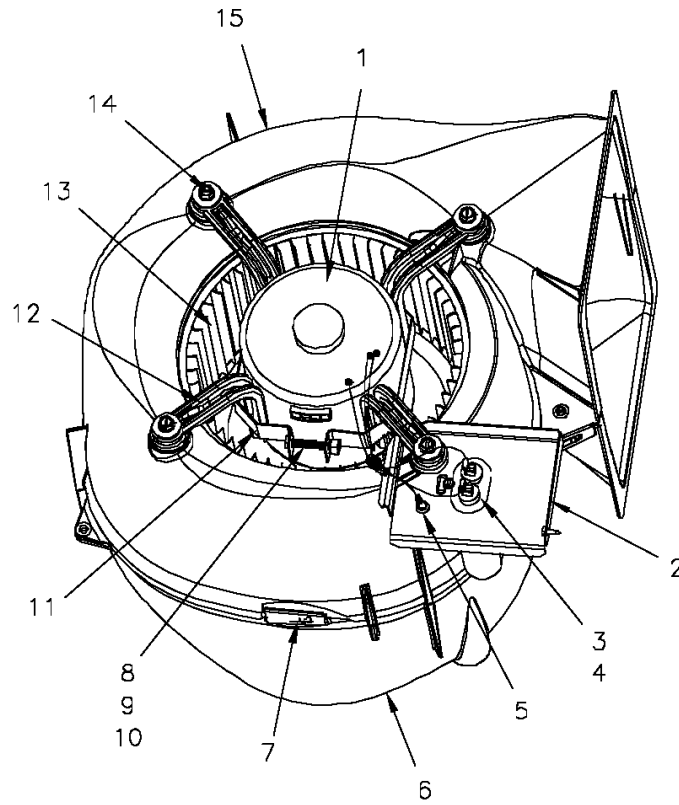
Part No.	Reference No.	Quantity	Description
75008351_4YCX3UP2_174071~P	*		BLOWER PARTS LIST

Blower

75008351

REV
E

Typical illustration. Unit may not appear exactly as shown.



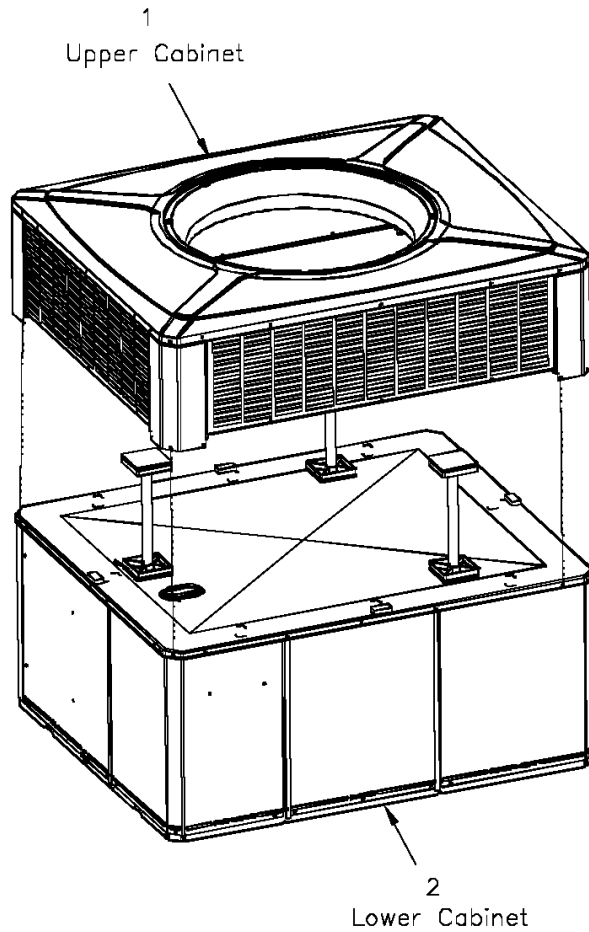
Part No.	Reference No.	Quantity	Description
BLW00966	*	1	BLOWER; ASSEMBLY, COMPLETE
MOT12418	1	1	MOTOR; INDOOR, 3/4 HP, 200-230/60/1, 1080 RPM, TYPE KCP, CW, SLEEVE BEARINGS, 25 MFD CPT AT 370V
BRK03543	2	1	BRACKET; BLOWER RETAINER, 4.32 X 5.64
CPT01035	3	1	CAPACITOR, RUN, 25 MFD, 370V OVAL W/O RESISTOR (CF)
SCR00965	4	1	SCREW, 10-16 AB HXW 1/2 S N
SCR01918	5	1	SCREW, 10-24 THREAD ROLL, INDENT HEX WASHER HD
HUS03825	6	1	HOUSING; BLOWER RIGHT SIDE WITHOUT MOUNTING HOLES, MOLDED GLASS FIBER POLYESTER, COLOR: NATURAL
CLP01088	7	4	CLIP; CLEAT-BLOWER
SCR01584	8	1	BOLT; 1/4-20 MA HX 1.5 S
NUT00487	9	1	NUT; STEEL HEX, 1/4-20
WAS00646	10	1	WASHER; STEEL SPRING LOCK, 1/4 INCH
BND00026	11	1	BAND; MOTOR MOUNT
BRK03396	12	4	BRACKET; ARM-MOTOR
WHL02558	13	1	WHEEL; BLOWER, 48 BLADES, CCW, CONCAVE DISC, 10.62 X 10.68
SCR02112	14	4	SCREW; ASSEMBLY-MOTOR MOUNT
HUS03824	15	1	HOUSING; BLOWER LEFT SIDE WITH 4 MOUNTING HOLES, MOLDED GLASS FIBER POLYESTER, COLOR: NATURAL

Cabinet

75008397

REV
A

Typical illustration. Unit may not appear exactly as shown.



View is determined by facing Appearance Nameplate

Parts List Number :75008387#4YCX3UP2

Model Number :4YCX3048A1075BA

Part No.	Reference No.	Quantity	Description
75008397_4YCX3UP2_169770~P	*		CABINET PARTS LIST
75008398#4YCX3UP2~S	*		LOWER CABINET
75008381#4YCX3UP2~S	*		UPPER CABINET

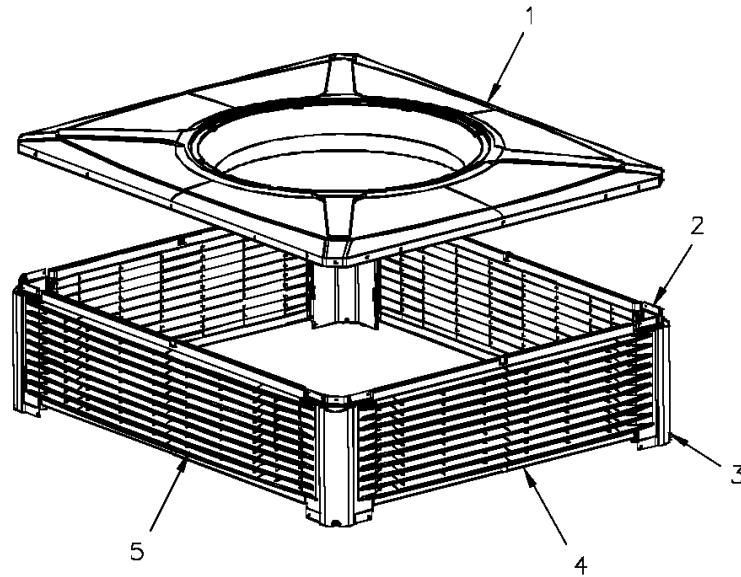
Cabinet

75008381

REV
A

upper

Typical illustration. Unit may not appear exactly as shown.



Parts List Number :75008387#4YCX3UP2

Model Number :4YCX3048A1075BA

Part No.	Reference No.	Quantity	Description
75008381_4YCX3UP2_174074~P	*		UPPER CABINET PARTS LIST

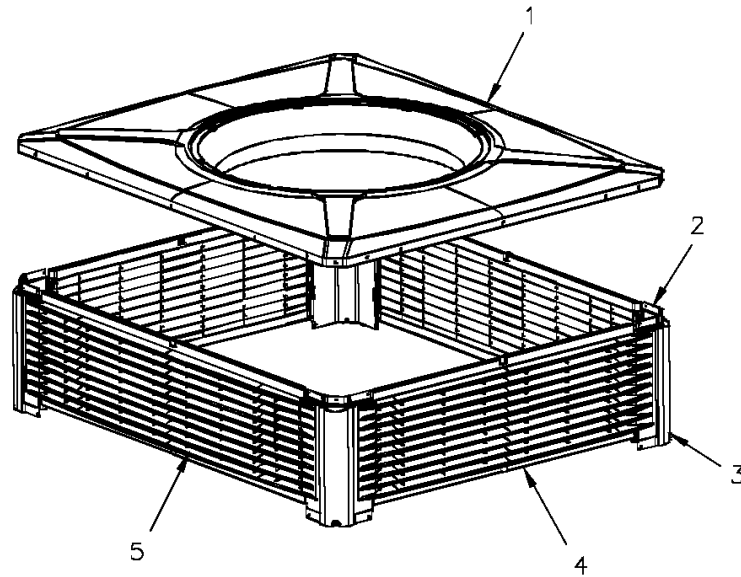
Cabinet

75008381

REV
A

upper

Typical illustration. Unit may not appear exactly as shown.



Part No.	Reference No.	Quantity	Description
BRK03610	*	16	BRACKET; PLASTIC LOUVER, 2.0 X .63 X .53
SUP05014	*	3	SUPPORT; OD COIL, BOTTOM, 4X4, INCLUDES GASKET
SUP05015	*	3	SUPPORT; OD COIL, TOP, 4X4, INCLUDES GASKET
TUB12284	*	3	TUBE; SUPPORT, TOP PIPE, .75 DIA, SCHEDULE 40 GREY PVC, 14.46 INCHES
COV03695	1	1	COVER; OUTDOOR, TOP, 58.33 X 44.08
PNL22002	2	4	PANEL; CORNER POST, 13.84 H
PNL22190	4	2	PANEL; PLASTIC LOUVER, 53.12 X 13.40 - INCLUDES SPEED NUTS AND MOUNTING BRACKETS.
PNL22186	5	2	PANEL; PLASTIC LOUVER, 38.86 X 13.40 - INCLUDES SPEED NUTS AND MOUNTING BRACKETS.

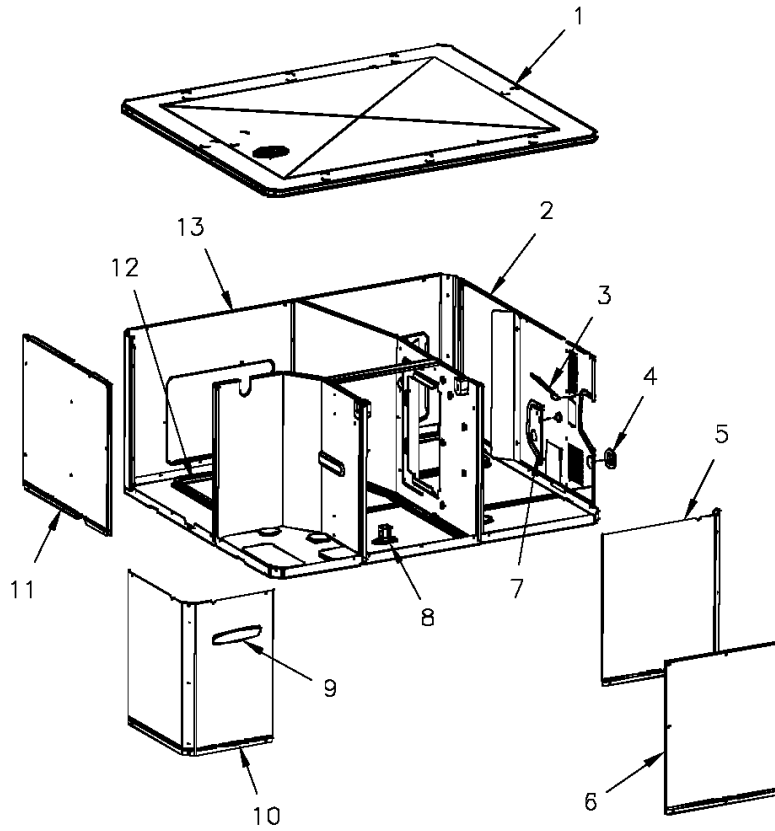
Cabinet

75008398

REV
A

lower

Typical illustration. Unit may not appear exactly as shown.



View is determined by facing Appearance Nameplate

Parts List Number :75008387#4YCX3UP2

Model Number :4YCX3048A1075BA

Part No.	Reference No.	Quantity	Description
75008398_4YCX3UP2_169772~P	*		LOWER CABINET PARTS LIST

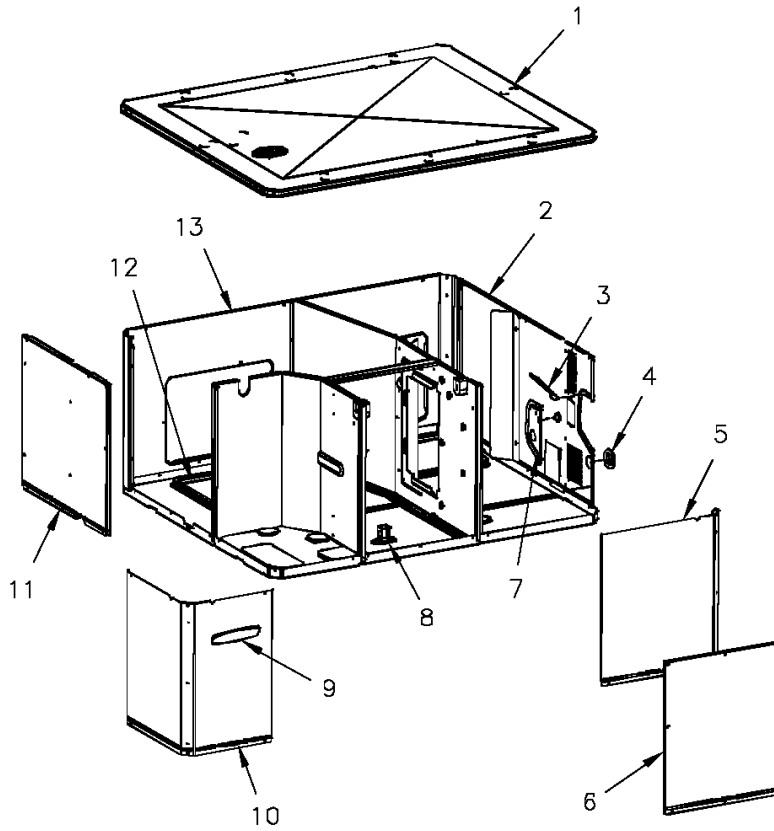
Cabinet

75008398

REV
A

lower

Typical illustration. Unit may not appear exactly as shown.



View is determined by facing Appearance Nameplate

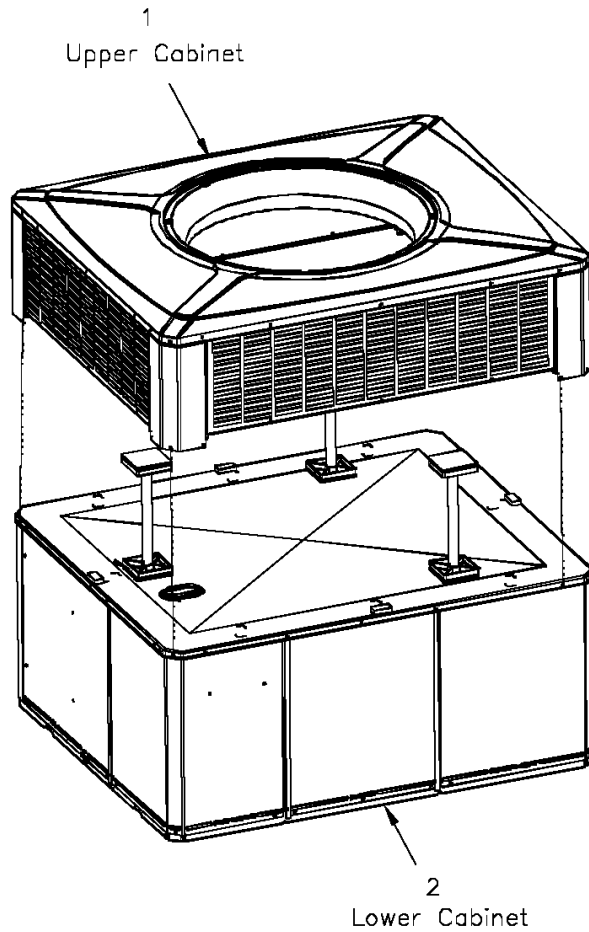
Part No.	Reference No.	Quantity	Description
BAF01248	*	1	BAFFLE; AIR, 18 IN HIGH
GRM00118	*	1	GROMMET; 3/16 IN ID, NEOPRENE
GRM00129	*	2	GROMMET; SCREW
HOD00519	*	1	HOOD; ASSEMBLY, FLUE
PNL26625	*	1	PANEL; BLOWER BARRIER, 44.05 X 21.15
PNL28755	*	1	PANEL; COMPRESSOR BARRIER, 27.22 W X 21.15 H
SHD00424	*	1	SHIELD; LOUVER, BOTTOM, 6.0 X 4.0
COV03697	1	1	COVER; INDOOR, TOP, 58.33 X 44.08
PNL22183	2	1	PANEL; GAS HEAT ACCESS, 39.00 X 20.91
SHD00397	3	1	SHIELD; LOUVER, TOP, 5.0 X 1.9
BUS00616	4	1	BUSHING; 1.62 DIA
PNL22000	5	1	PANEL; CONTROL/HEAT ACCESS, 17.93 X 20.70
PNL22014	6	1	PANEL; BLOWER ACCESS, 27.36 X 20.70
PNL22042	7	1	PANEL; GAS HEAT, 7.81 X 4.50
BRK03544	8	1	BRACKET; BLOWER SUPPORT, U-SHAPED, 3.00 X 2.00 X 2.83
PLT04232	9	1	PLATE; APPEARANCE NAMEPLATE, TRANE, XL13C, 9.0 X 1.8
PNL21998	10	1	PANEL; COMPRESSOR ACCESS, 20.7 X 12.7 & 20.7 X 15.5
PNL22040	11	1	PANEL; INDOOR COIL ACCESS, 25.42 X 20.70
COV03699	12	2	COVER; SUPPLY AND RETURN, 17.88 X 14.88
PNL22193	13	1	PANEL; SUPPLY AND RETURN, 58.13 X 20.88

Cabinet

75008397

REV
A

Typical illustration. Unit may not appear exactly as shown.



View is determined by facing Appearance Nameplate

Parts List Number :75008387#4YCX3UP2

Model Number :4YCX3048A1075BA

Part No.	Reference No.	Quantity	Description
PAI00074	*	1	PAINT; SPRAY, SLATE GREY, FULL GLOSS(88) (SHIPPING UOM 12 OZ HAZ)



Parts List Number :75008387#4YCX3UP2

Model Number :4YCX3048A1075BA

Part No.	Reference No.	Quantity	Description
75008692_4YCX3UP2_169776~P	*		MODEL NOMENCLATURE PARTS LIST



Parts List Number :75008387#4YCX3UP2

Model Number :4YCX3048A1075BA

Part No.	Reference No.	Quantity	Description
NGRAPHIC_4YCX3UP2_174082~ P	*		OPTIONAL FIELD INSTALLED ACCESSORIES PARTS LIST

NO GRAPHIC AVAILABLE

75013702

REV
A

**NO
GRAPHIC
AVAILABLE**

Parts List Number :75008387#4YCX3UP2

Model Number :4YCX3048A1075BA

Part No.	Reference No.	Quantity	Description
BAYUV102A	*	1	36 WATT UV LIGHT KIT FOR MEDIUM PACKAGED UNITS
ECN00112	*	1	ECONOMIZER; DOWN DISCHARGE, AND RAIN HOOD(BAYECON102AA)
ECN00114	*	1	ECONOMIZER; HORIZONTAL (BAYECON201AA)
KIT03361	*	1	KIT; LIFTING LUGS-BAYLIFT002B (CTN = 6 PIECES)
KIT06658	*	1	KIT; ENTHALPY CONTROL (BAYENTH001AB)
KIT13553	*	1	KIT; CURB ADAPTER (BAYADAP052AA)
KIT13554	*	1	KIT; CURB ADAPTER (BAYADAP053AA)
KIT13555	*	1	KIT; CURB ADAPTER (BAYADAP054AA)
KIT13557	*	1	KIT; CRANKCASE HEATER, 230V SCROLL COMPRESSORS (BAYCCHT102AA) 6.5-7.5 DIA, 60W, 110L
KIT13559	*	1	KIT; 12 INCH DUCT SHROUD COVERS HORIZONTAL (BAYCOVR112AA)
KIT13560	*	1	KIT; 18 INCH DUCT SHROUD COVERS HORIZONTAL (BAYCOVR118AA)
KIT13562	*	1	KIT; FULL PERIMETER ROOF MOUNTING CURB (BAYCURB051AA)
KIT13564	*	1	KIT; OUTSIDE AIR, 2 POS DAMPER (BAYDMPR102AA)
KIT13565	*	1	KIT; EXTREME CURB MOUNTING (BAYEXMK001AA)
KIT13567	*	1	KIT; EXTREME CURB MOUNTING (BAYEXMK003AA)
KIT13570	*	1	KIT; LP CONVERSION (BAYLPKT102AA)
KIT13572	*	1	KIT; OUTSIDE AIR, MANUAL DAMPER (BAYOSAH002AA)
KIT13574	*	1	KIT; QUICK START (BAYQSTK301AA)
KIT13576	*	1	KIT; SQUARE/ROUND DUCT ADAPTER (BAYSQRD002AA)
KIT13640	*	1	KIT; LOW AMBIENT COOLING, HEAD PRESSURE CONTROL (BAYLOAM105AA)
KIT15097	*	1	KIT; FILTER FRAME (BAYFLTR201BA). USE (1) 20 X 20, PLUS (1) 20 X 18 FILTER - NOT INCLUDED.
KIT15142	*	1	KIT; ACCESS DOOR, 3-1/2 TO 5 TON MODELS (BAYACCDOR2AA)
KIT15323	*	1	KIT; EXTREME CURB MOUNTING (BAYEXMK002BA)
KIT15326	*	1	KIT; ROOF CURB UTILITY EXTENSION KIT (BAYUTIL102BA)
KIT15404	*	1	KIT; ECONOMIZER, HINGED FILTER ACCESS DOOR AND FILTER FRAME (BAYECONCOMB102A)
TMR00140	*	1	TIMER; ANTISHORT CYCLE (BAYASCT001)