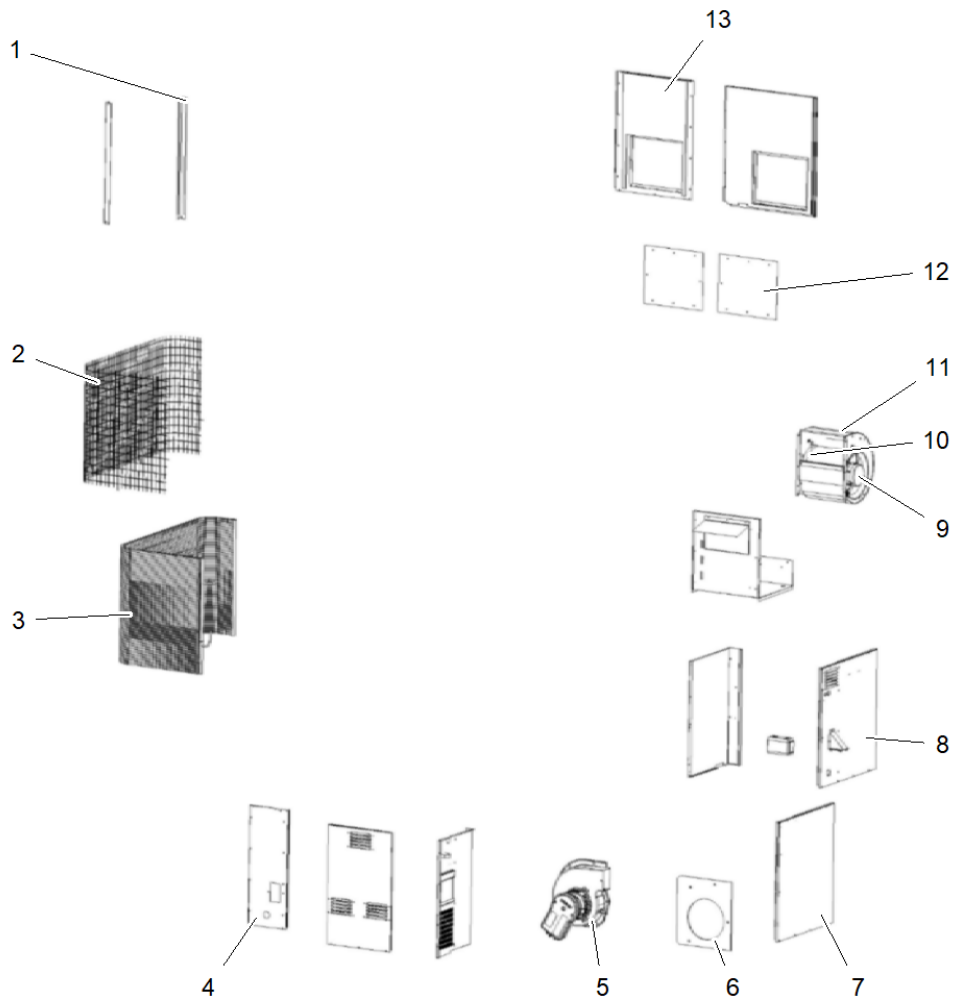


<b>Part No.</b>	<b>Reference No.</b>	<b>Quantity</b>	<b>Description</b>
0000151889~S	*		Cabinet & Inducer & Blower Assembly
0000151887~S	*		Control Board & Heat Exchange & Compressor & Drier
0000151888~S	*		Fan Assembly
0000151886~S	*		General Assembly
0000151885~S	*		Model Number Description

Part No.	Reference No.	Quantity	Description
0000027597~P	*		Cabinet & Inducer & Blower Assembly

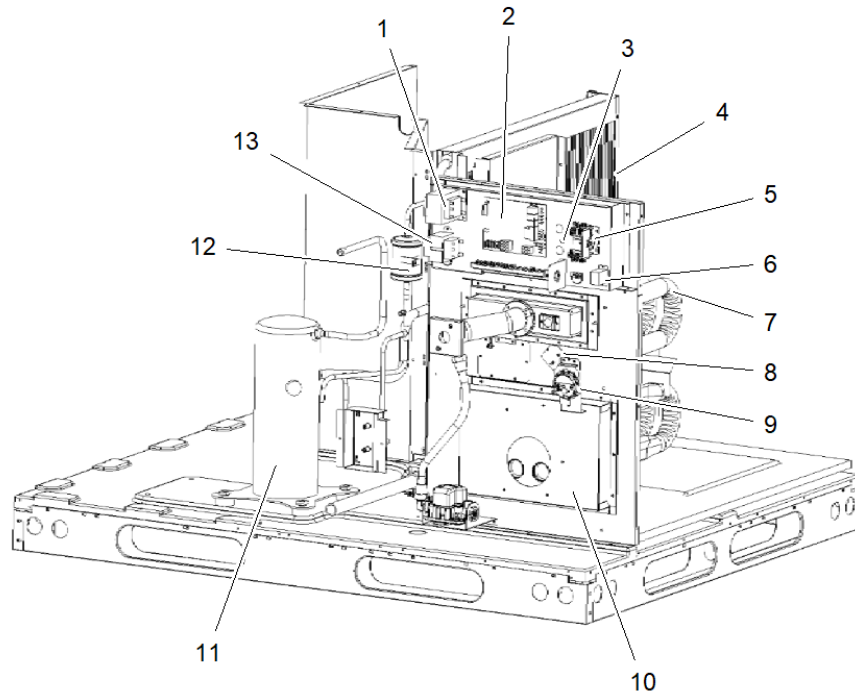


<b>Part No.</b>	<b>Reference No.</b>	<b>Quantity</b>	<b>Description</b>
D09996HR	1	1	SUPPORT; POST,CORNER
2A8453R	2	1	GUARD; COIL GUARD (FORMED)
1010325R	3	1	COIL; OUTDOOR
298892HR	4	1	PANEL; FRONT
1040151R	5	1	GASKET; INDUCER MOTOR/GASKET
689518R	6	1	GASKET; INDUCER
103929238R	7	1	DOOR; LOUVER
103929241R	8	1	PANEL; CORNER
297219R	11	1	HOUSING; BLOWER (11X10)
283101HR	12	1	COVER; DUCT
103929240R	13	1	PANEL; RETURN

Parts List Number :0000151884

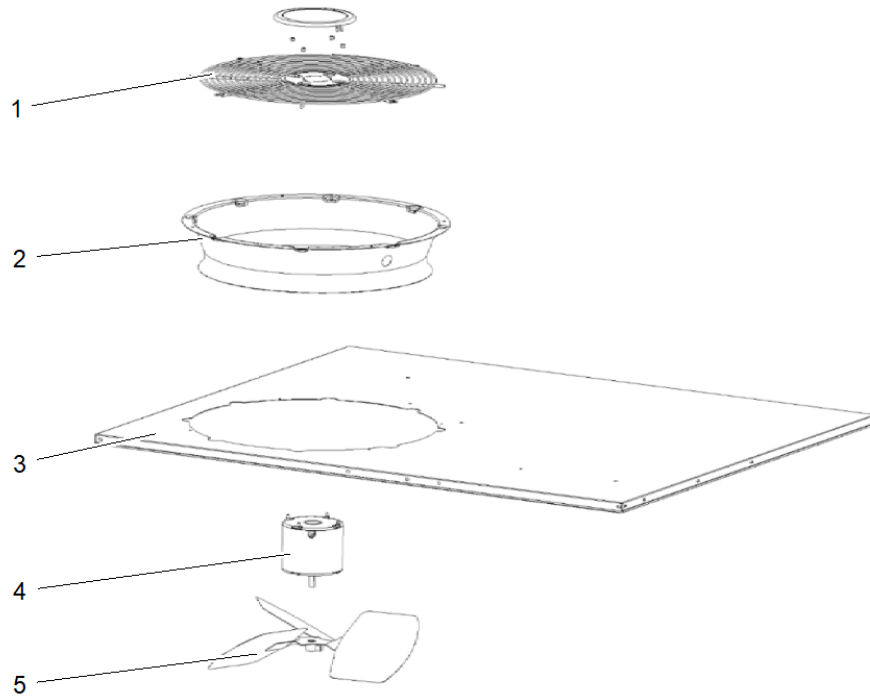
Model Number :4YCL4042A1100A

Part No.	Reference No.	Quantity	Description
0000027588~P	*		Control Board & Heat Exchange & Compressor & Drier



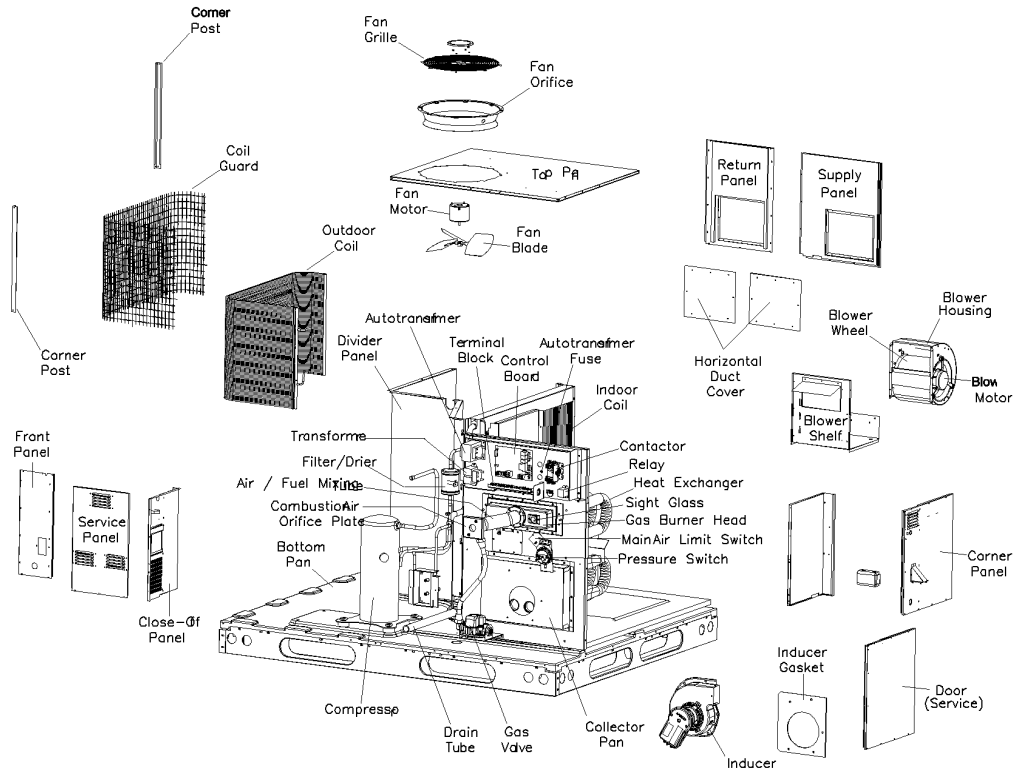
<b>Part No.</b>	<b>Reference No.</b>	<b>Quantity</b>	<b>Description</b>
1036083R	1	1	TRANSFORMER; AUTOTRANS,200VA,230 TO 115V
1039191R	2	1	BOARD; CONTROL BOARD
1017853R	4	1	COIL; INDOOR
1014865R	5	1	CONTACTOR;
1022845R	6	1	RELAY;
103612008R	7	1	EXCHANGER; HEAT ASSEMBLY
626445R	8	1	SWITCH; LIMIT
1018505R	9	1	SWITCH; PRESSURE SWITCH
1040153R	10	1	PAN; COLLECTOR PAN/GASKET
921465R	11	1	COMPRESSOR;
669764R	12	1	FILTER; DRIER
621709R	13	1	TRANSFORMER; 40 VA

Part No.	Reference No.	Quantity	Description
0000027570~P	*		Fan Assembly



<b>Part No.</b>	<b>Reference No.</b>	<b>Quantity</b>	<b>Description</b>
669404R	1	1	FAN; GRILLE (BLACK)
263210HR	2	1	ORIFICE; FAN
292441HR	3	1	PANEL; TOP
667356R	5	1	FAN; BLADE

Part No.	Reference No.	Quantity	Description
0000027603~P	*		General Assembly



Part No.	Reference No.	Quantity	Description
01-0271R	*	1	CAPACITOR;
265040R	*	1	COVER; VENT
298552HR	*	1	BRACKET; EX SERVICE
632473R	*	1	SWITCH; HIGH PRESSURE SWITCH
634715R	*	1	PLUG; MOLDED HV
661016R	*	1	ORIFICE; NATURAL GAS
664691R	*	1	DISTRIBUTOR; ASSY
669190R	*	1	PAN; DRAIN
917206R	*	1	KIT; REPLACEMENT HAIL GUARD KIT
1018739R	*	1	TUBE; GAS/AIR VENTURI MIXING TUBE
1021611R	*	1	IGNITOR; ASSEMBLY
1023984R	*	1	SWITCH; LOW PRESSURE
1027311R	*	1	SWITCH; ROLL-OUT LIMIT SWITCH
1039233R	*	1	CONNECTOR; FLEX GAS,5/8"D X 16"L
1039259R	*	1	FILTER; ULN,TOP
1040147R	*	1	GASKET; AIR INTAKE
103610501R	*	1	GASKET; COLLECTOR
103612080R	*	1	WIRE; SET OF WIRES
103929239R	*	1	PANEL; SUPPLY
103929242R	*	1	DOOR; LOUVER

Part No.	Reference No.	Quantity	Description
0000027648~P	*		Model Number Description

MODEL NUMBER DESCRIPTION

75014984

REV  
A

*Example Model Number:*

**4 Y C X 3 0 4 2 A 3 0 8 0 A A**  
1 - - - 5 - - - 10 - - - 15

**Digit 1 - Refrigerant**

4 = R-410A

**Digits 2-3 - Type**

YC = Gas Electric  
WC = Heat Pump  
DC = Dual Fuel  
TC = Air Conditioner

**Digit 4 - Model Tier**

C = Entry Level  
X = Upgrade  
Y = Premium  
Z = Leadership - (2-Stage)  
L = Ultra-Low NOx

**Digit 5 - Efficiency Tier**

3 = 13 SEER  
4 = 14 SEER  
6 = 16 SEER

**Digits 6-8 - Capacity in 1000's (BTUH)**

018 042  
024 048  
030 060  
036

**Digit 9 - Major Design Change**

Alphabetic Character "A" through "Z"

**Digit 10 - Voltage & Phase**

1 = 230V 1 Phase  
3 = 230V 3 Phase  
4 = 460V 3 Phase

**Digits 11-13 - Gas Heat Input (MBTU/H)**

000(AC or HP) 075  
040 096  
064 120

**Digit 14 - Minor Design Change**

Alphabetic Character "A" through "Z"

**Digit 15 - Service Digit (Not Orderable)**

