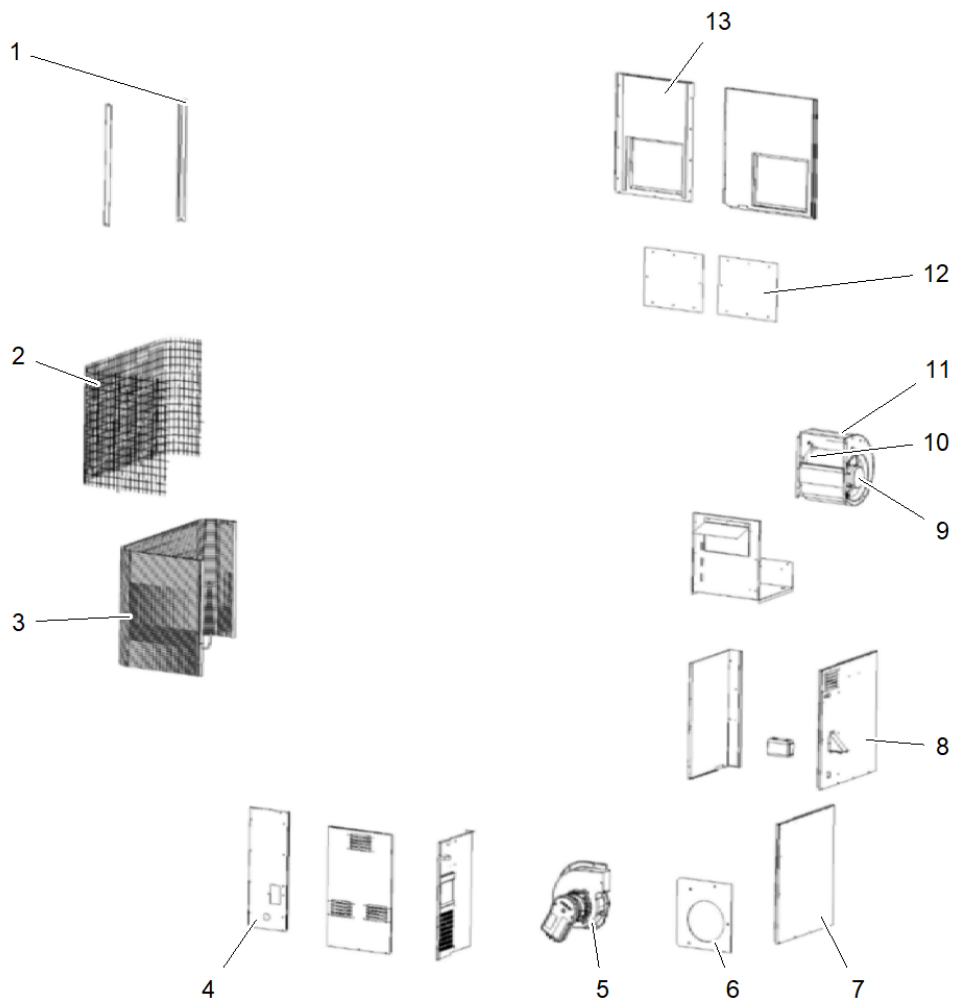


Part No.	Reference No.	Quantity	Description
0000151889~S	*		Cabinet & Inducer & Blower Assembly
0000151887~S	*		Control Board & Heat Exchange & Compressor & Drier
0000151888~S	*		Fan Assembly
0000151886~S	*		General Assembly
0000151885~S	*		Model Number Description

Part No.	Reference No.	Quantity	Description
0000027595~P	*		Cabinet & Inducer & Blower Assembly

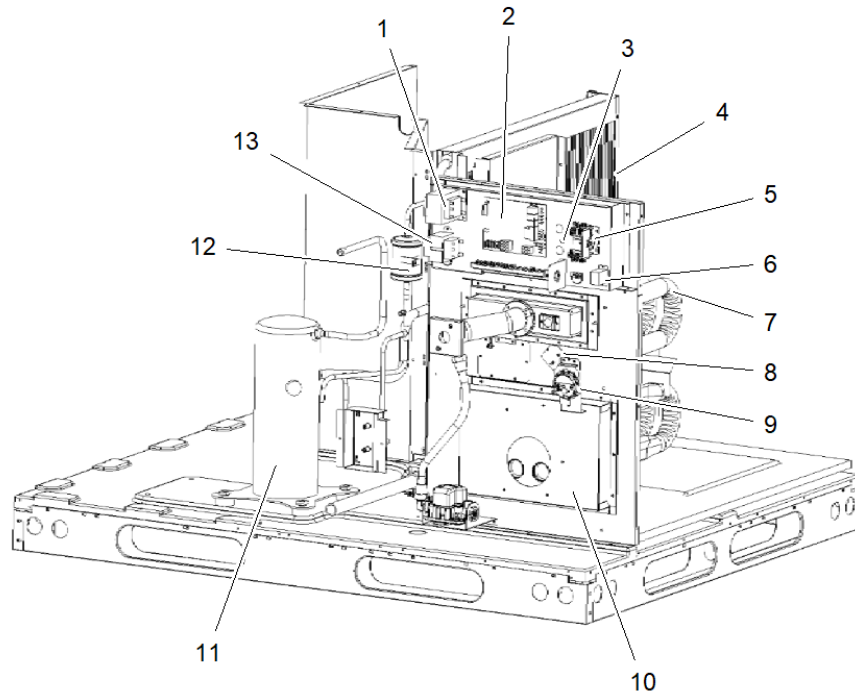


Part No.	Reference No.	Quantity	Description
D09994HR	1	1	SUPPORT; POST,CORNER
2A8452R	2	1	GUARD; COIL GUARD (FORMED)
1010327R	3	1	COIL; OUTDOOR
298891HR	4	1	PANEL; FRONT
1040150R	5	1	GASKET; INDUCER MOTOR/GASKET
689518R	6	1	GASKET; INDUCER
D05548HR	7	1	DOOR; SERVICE
103929206R	8	1	PANEL; CORNER
297219R	11	1	HOUSING; BLOWER (11X10)
283101HR	12	1	COVER; DUCT
D05567HR	13	1	PANEL; RETURN

Parts List Number :0000151884

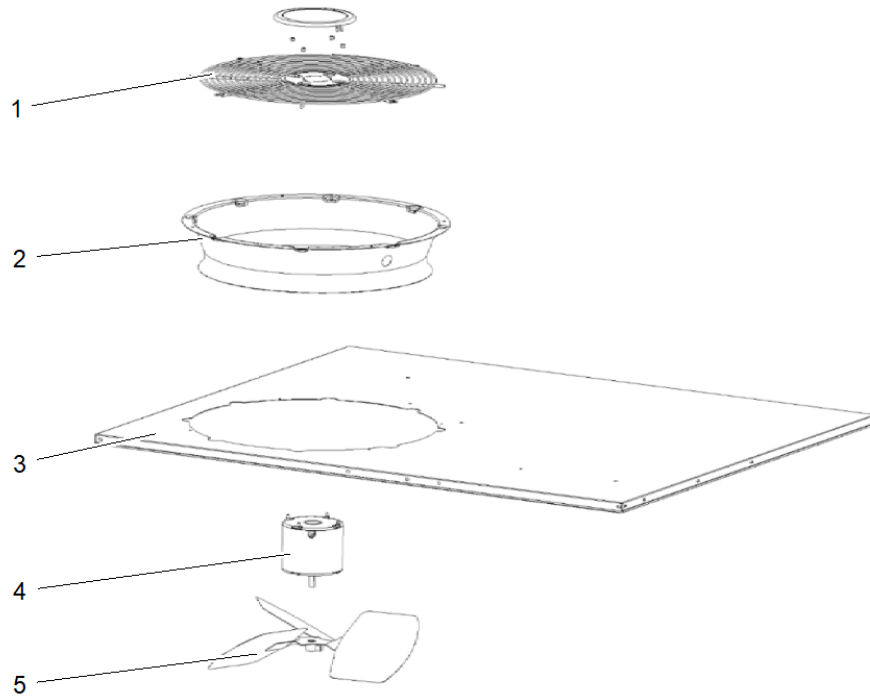
Model Number :4YCL4030A1070A

Part No.	Reference No.	Quantity	Description
0000027587~P	*		Control Board & Heat Exchange & Compressor & Drier



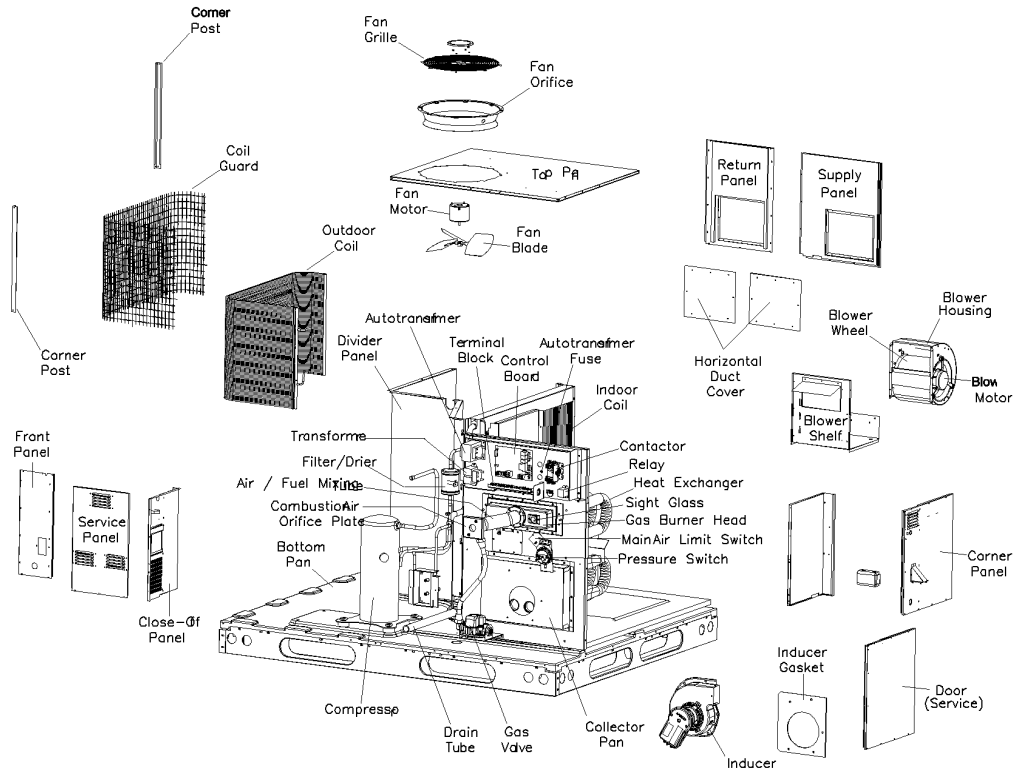
Part No.	Reference No.	Quantity	Description
1036083R	1	1	TRANSFORMER; AUTOTRANS,200VA,230 TO 115V
1039191R	2	1	BOARD; CONTROL BOARD
1017857R	4	1	COIL; INDOOR
1014863R	5	1	CONTACTOR;
1022845R	6	1	RELAY;
103612031R	7	1	EXCHANGER; HEAT ASSEMBLY
626424R	8	1	SWITCH; LIMIT
1018505R	9	1	SWITCH; PRESSURE SWITCH
1040152R	10	1	PAN; COLLECTOR PAN/GASKET
918869R	11	1	COMPRESSOR;
669764R	12	1	FILTER; DRIER
621709R	13	1	TRANSFORMER; 40 VA

Part No.	Reference No.	Quantity	Description
0000027591~P	*		Fan Assembly



Part No.	Reference No.	Quantity	Description
669404R	1	1	FAN; GRILLE (BLACK)
263210HR	2	1	ORIFICE; FAN
292441HR	3	1	PANEL; TOP
667278R	5	1	FAN; BLADE

Part No.	Reference No.	Quantity	Description
0000027602~P	*		General Assembly



Part No.	Reference No.	Quantity	Description
01-0269R	*	1	CAPACITOR;
265040R	*	1	COVER; VENT
298552HR	*	1	BRACKET; EX SERVICE
632473R	*	1	SWITCH; HIGH PRESSURE SWITCH
634715R	*	1	PLUG; MOLDED HV
661026R	*	1	ORIFICE; GAS ORIFICE (NATURAL GAS)
664595R	*	1	DISTRIBUTOR; ASSY
669190R	*	1	PAN; DRAIN
689506R	*	1	GASKET; COLLECTOR
917206R	*	1	KIT; REPLACEMENT HAIL GUARD KIT
1018739R	*	1	TUBE; GAS/AIR VENTURI MIXING TUBE
1021611R	*	1	IGNITOR; ASSEMBLY
1023984R	*	1	SWITCH; LOW PRESSURE
1027064R	*	1	SWITCH; ROLL-OUT LIMIT SWITCH
1039233R	*	1	CONNECTOR; FLEX GAS,5/8"D X 16"L
1039259R	*	1	FILTER; ULN,TOP
1040146R	*	1	GASKET; AIR INTAKE
103612080R	*	1	WIRE; SET OF WIRES
103929207R	*	1	DOOR; LOUVER
D05558HR	*	1	PANEL; SUPPLY

Part No.	Reference No.	Quantity	Description
0000027648~P	*		Model Number Description

MODEL NUMBER DESCRIPTION

75014984

REV
A

Example Model Number:

4 Y C X 3 0 4 2 A 3 0 8 0 A A
1 - - - 5 - - - 10 - - - 15

Digit 1 - Refrigerant

4 = R-410A

Digits 2-3 – Type

YC = Gas Electric
WC = Heat Pump
DC = Dual Fuel
TC = Air Conditioner

Digit 4 – Model Tier

C = Entry Level
X = Upgrade
Y = Premium
Z = Leadership - (2-Stage)
L = Ultra-Low NOx

Digit 5 - Efficiency Tier

3 = 13 SEER
4 = 14 SEER
6 = 16 SEER

Digits 6-8 – Capacity in 1000's (BTUH)

018 042
024 048
030 060
036

Digit 9 – Major Design Change

Alphabetic Character "A" through "Z"

Digit 10 – Voltage & Phase

1 = 230V 1 Phase
3 = 230V 3 Phase
4 = 460V 3 Phase

Digits 11-13 – Gas Heat Input (MBTU/H)

000(AC or HP) 075
040 096
064 120

Digit 14 – Minor Design Change

Alphabetic Character "A" through "Z"

Digit 15 – Service Digit (Not Orderable)

