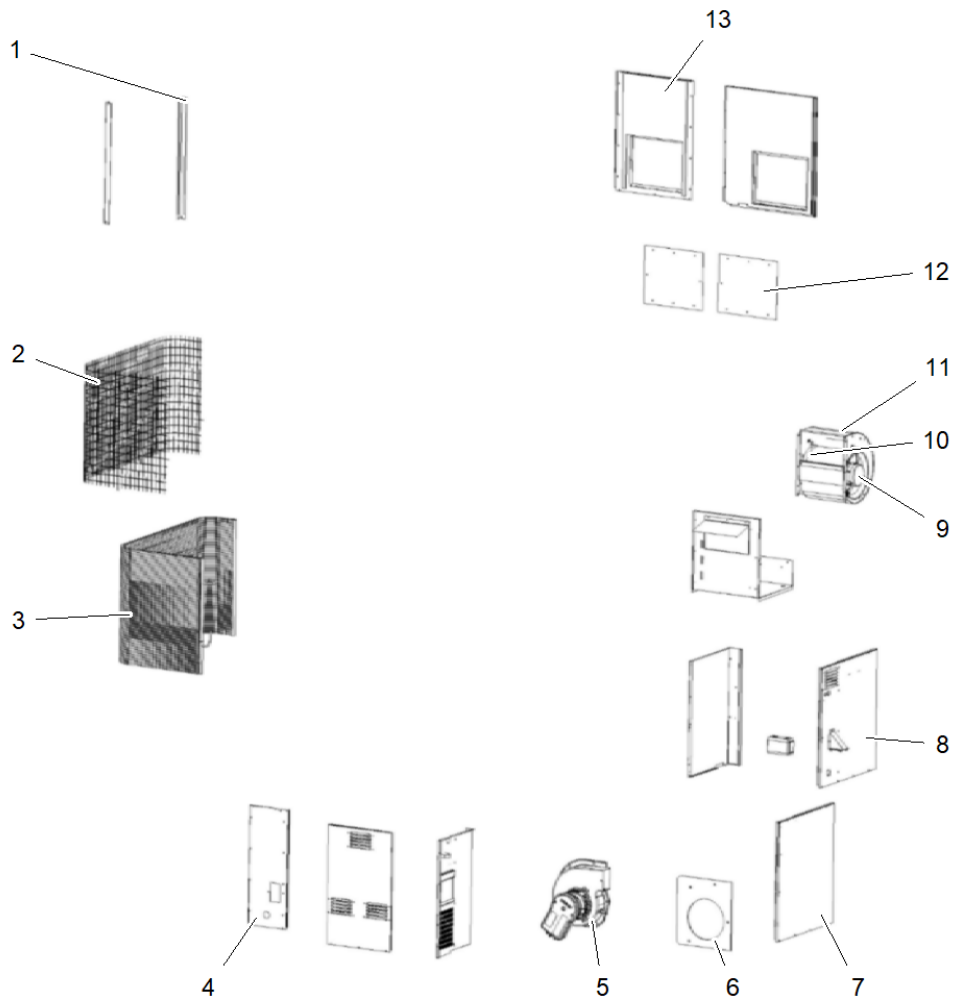


| <b>Part No.</b> | <b>Reference No.</b> | <b>Quantity</b> | <b>Description</b>                                 |
|-----------------|----------------------|-----------------|--|
| 0000151889~S    | *                    |                 | Cabinet & Inducer & Blower Assembly                |
| 0000151887~S    | *                    |                 | Control Board & Heat Exchange & Compressor & Drier |
| 0000151888~S    | *                    |                 | Fan Assembly                                       |
| 0000151886~S    | *                    |                 | General Assembly                                   |
| 0000151885~S    | *                    |                 | Model Number Description                           |

| Part No.     | Reference No. | Quantity | Description                         |
|--------------|---------------|----------|-------------------------------------|
| 0000027594~P | *             |          | Cabinet & Inducer & Blower Assembly |

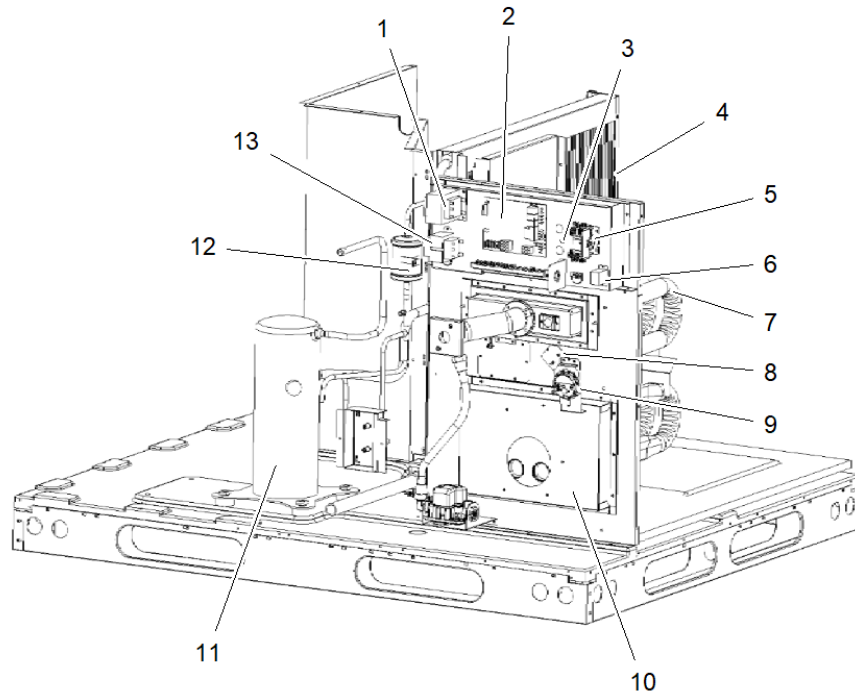


| <b>Part No.</b> | <b>Reference No.</b> | <b>Quantity</b> | <b>Description</b>           |
|-----------------|----------------------|-----------------|------------------------------|
| D09994HR        | 1                    | 1               | SUPPORT; POST,CORNER         |
| 2A8452R         | 2                    | 1               | GUARD; COIL GUARD (FORMED)   |
| 1010327R        | 3                    | 1               | COIL; OUTDOOR                |
| 298891HR        | 4                    | 1               | PANEL; FRONT                 |
| 1040149R        | 5                    | 1               | GASKET; INDUCER MOTOR/GASKET |
| 689518R         | 6                    | 1               | GASKET; INDUCER              |
| D05548HR        | 7                    | 1               | DOOR; SERVICE                |
| 103929206R      | 8                    | 1               | PANEL; CORNER                |
| 297219R         | 11                   | 1               | HOUSING; BLOWER (11X10)      |
| 283101HR        | 12                   | 1               | COVER; DUCT                  |
| D05567HR        | 13                   | 1               | PANEL; RETURN                |

Parts List Number :0000151884

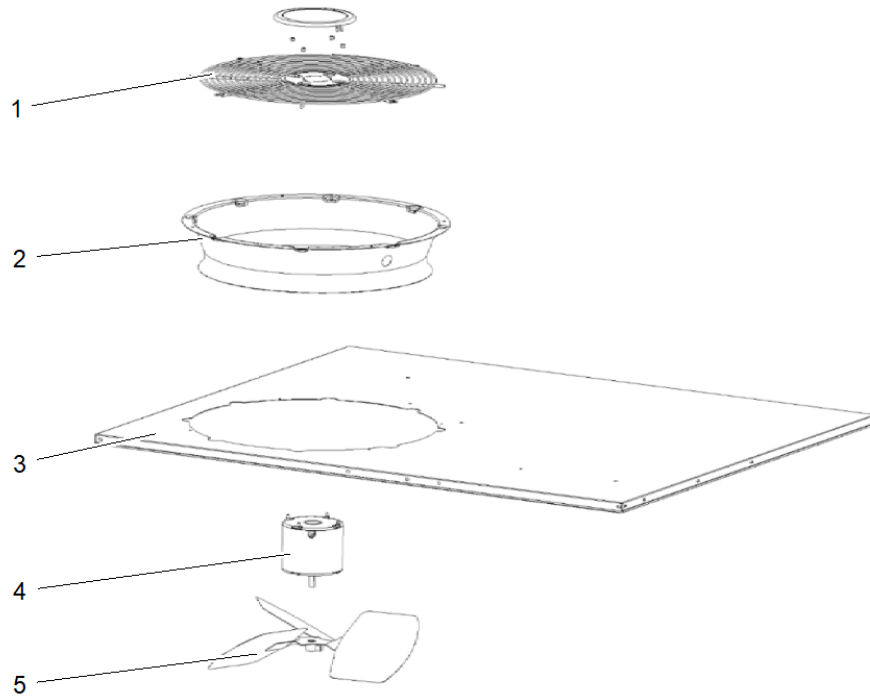
Model Number :4YCL4024A1055A

| Part No.     | Reference No. | Quantity | Description  |
|--------------|---------------|----------|--|
| 0000027567~P | *             |          | Control Board & Heat Exchange & Compressor & Drier |



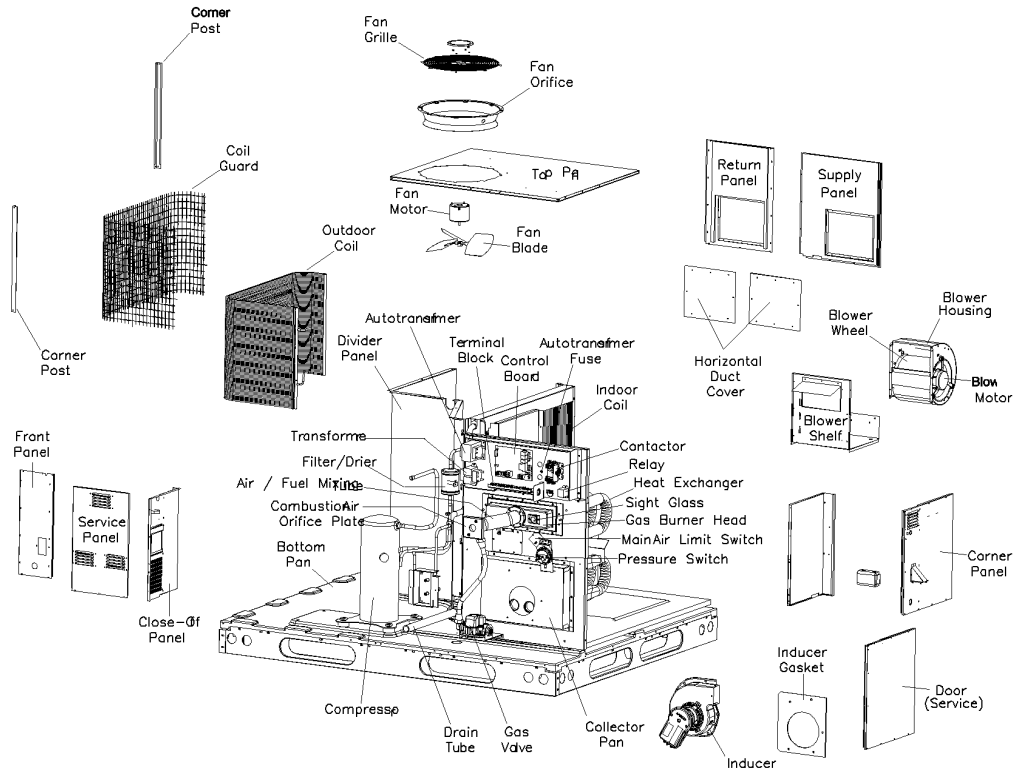
| <b>Part No.</b> | <b>Reference No.</b> | <b>Quantity</b> | <b>Description</b>                       |
|-----------------|----------------------|-----------------|--|
| 1036083R        | 1                    | 1               | TRANSFORMER; AUTOTRANS,200VA,230 TO 115V |
| 1039191R        | 2                    | 1               | BOARD; CONTROL BOARD                     |
| 1017857R        | 4                    | 1               | COIL; INDOOR                             |
| 1014863R        | 5                    | 1               | CONTACTOR;                               |
| 1022845R        | 6                    | 1               | RELAY;                                   |
| 103612031R      | 7                    | 1               | EXCHANGER; HEAT ASSEMBLY                 |
| 626434R         | 8                    | 1               | SWITCH; LIMIT                            |
| 1018505R        | 9                    | 1               | SWITCH; PRESSURE SWITCH                  |
| 1040152R        | 10                   | 1               | PAN; COLLECTOR PAN/GASKET                |
| 1033625R        | 11                   | 1               | COMPRESSOR;                              |
| 669764R         | 12                   | 1               | FILTER; DRIER                            |
| 621709R         | 13                   | 1               | TRANSFORMER; 40 VA                       |

| Part No.     | Reference No. | Quantity | Description  |
|--------------|---------------|----------|--------------|
| 0000027569~P | *             |          | Fan Assembly |



| <b>Part No.</b> | <b>Reference No.</b> | <b>Quantity</b> | <b>Description</b>  |
|-----------------|----------------------|-----------------|---------------------|
| 669404R         | 1                    | 1               | FAN; GRILLE (BLACK) |
| 263210HR        | 2                    | 1               | ORIFICE; FAN        |
| 292441HR        | 3                    | 1               | PANEL; TOP          |
| 622080R         | 4                    | 1               | MOTOR; OUTDOOR FAN  |
| 667356R         | 5                    | 1               | FAN; BLADE          |

| Part No.     | Reference No. | Quantity | Description      |
|--------------|---------------|----------|------------------|
| 0000027573~P | *             |          | General Assembly |



| Part No.   | Reference No. | Quantity | Description                       |
|------------|---------------|----------|-----------------------------------|
| 01-0084R   | *             | 1        | CAPACITOR;                        |
| 265040R    | *             | 1        | COVER; VENT                       |
| 298552HR   | *             | 1        | BRACKET; EX SERVICE               |
| 632473R    | *             | 1        | SWITCH; HIGH PRESSURE SWITCH      |
| 634715R    | *             | 1        | PLUG; MOLDED HV                   |
| 661030R    | *             | 1        | ORIFICE; GAS                      |
| 664518R    | *             | 1        | DISTRIBUTOR; ASSY                 |
| 669190R    | *             | 1        | PAN; DRAIN                        |
| 689506R    | *             | 1        | GASKET; COLLECTOR                 |
| 917206R    | *             | 1        | KIT; REPLACEMENT HAIL GUARD KIT   |
| 1018739R   | *             | 1        | TUBE; GAS/AIR VENTURI MIXING TUBE |
| 1021611R   | *             | 1        | IGNITOR; ASSEMBLY                 |
| 1023984R   | *             | 1        | SWITCH; LOW PRESSURE              |
| 1027311R   | *             | 1        | SWITCH; ROLL-OUT LIMIT SWITCH     |
| 1039233R   | *             | 1        | CONNECTOR; FLEX GAS,5/8"D X 16"L  |
| 1039259R   | *             | 1        | FILTER; ULN,TOP                   |
| 1040148R   | *             | 1        | GASKET; AIR INTAKE                |
| 103612080R | *             | 1        | WIRE; SET OF WIRES                |
| 103929207R | *             | 1        | DOOR; LOUVER                      |
| D05558HR   | *             | 1        | PANEL; SUPPLY                     |

| Part No.     | Reference No. | Quantity | Description              |
|--------------|---------------|----------|--------------------------|
| 0000027648~P | *             |          | Model Number Description |

MODEL NUMBER DESCRIPTION

75014984

REV  
A

*Example Model Number:*

**4 Y C X 3 0 4 2 A 3 0 8 0 A A**  
1 - - - 5 - - - 10 - - - 15

**Digit 1 - Refrigerant**

4 = R-410A

**Digits 2-3 – Type**

YC = Gas Electric  
WC = Heat Pump  
DC = Dual Fuel  
TC = Air Conditioner

**Digit 4 – Model Tier**

C = Entry Level  
X = Upgrade  
Y = Premium  
Z = Leadership - (2-Stage)  
L = Ultra-Low NOx

**Digit 5 - Efficiency Tier**

3 = 13 SEER  
4 = 14 SEER  
6 = 16 SEER

**Digits 6-8 – Capacity in 1000's (BTUH)**

018 042  
024 048  
030 060  
036

**Digit 9 – Major Design Change**

Alphabetic Character "A" through "Z"

**Digit 10 – Voltage & Phase**

1 = 230V 1 Phase  
3 = 230V 3 Phase  
4 = 460V 3 Phase

**Digits 11-13 – Gas Heat Input (MBTU/H)**

000(AC or HP) 075  
040 096  
064 120

**Digit 14 – Minor Design Change**

Alphabetic Character "A" through "Z"

**Digit 15 – Service Digit (Not Orderable)**

