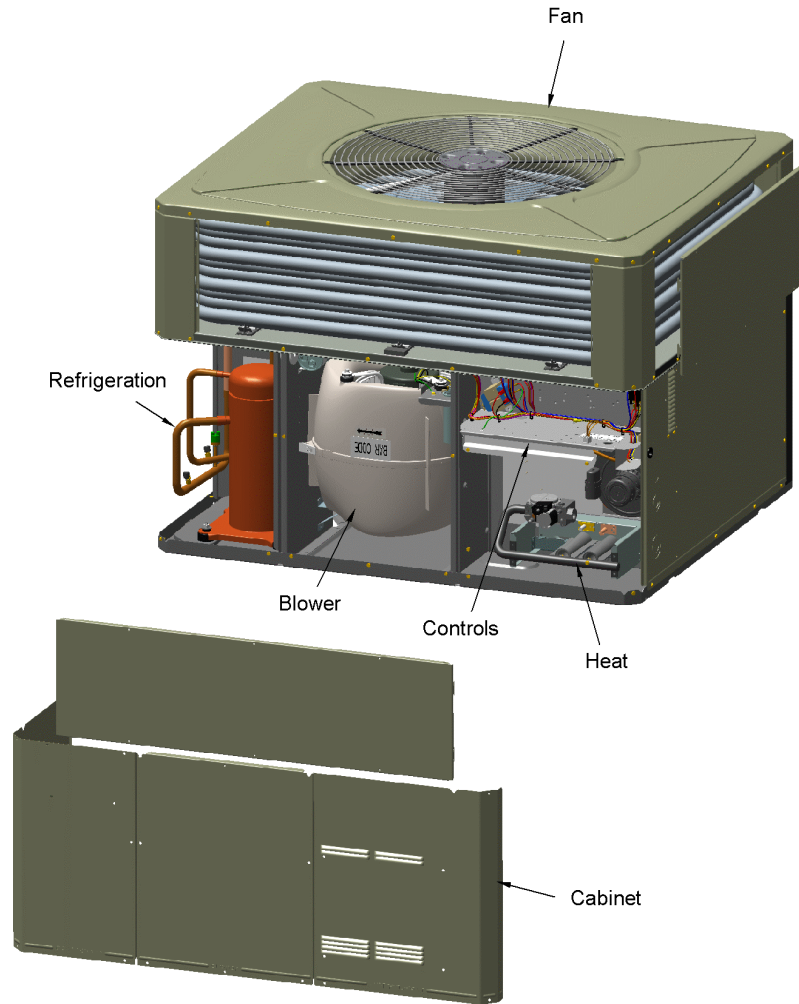


PACKAGED UNITS
Gas Electric
TYPICAL ILLUSTRATION

75010757

REV.
A

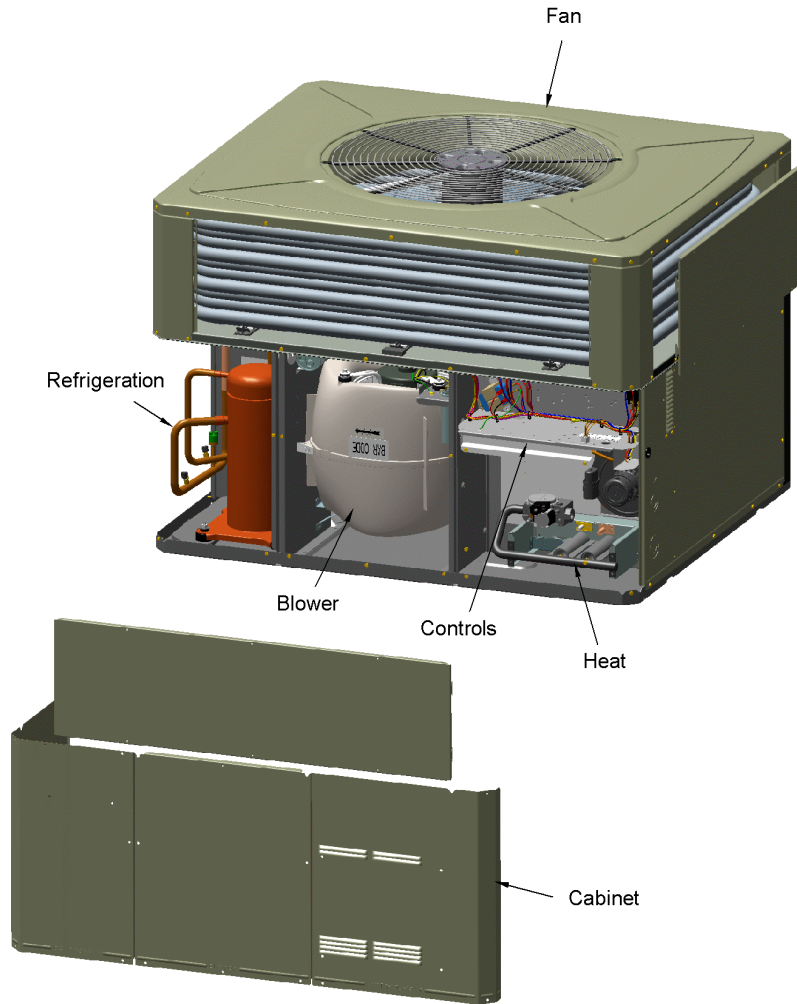


Part No.	Reference No.	Quantity	Description
75010745#4YCC4UP1~S	*		BLOWER
75010752#4YCC4UP1~S	*		CABINET - LOWER
75010703#4YCC4UP1~S	*		CABINET - UPPER
75010754#4YCC4UP1~S	*		CONTROLS
75010673#4YCC4UP1~S	*		FAN
75010755#4YCC4UP1~S	*		HEAT
75008692#4YCC4UP1~S	*		MODEL NUMBER DESCRIPTION
NGRAPHIC#4YCC4UP1~S	*		OPTIONAL EQUIPMENT
75010751#4YCC4UP1~S	*		OUTDOOR COIL
75010757_4YCC4UP1_109186~P	*		PACKAGED GAS/ELECTRIC PARTS LIST
75010758#4YCC4UP1~S	*		REFRIGERATION

PACKAGED UNITS
Gas Electric
TYPICAL ILLUSTRATION

75010757

REV.
A



OUTDOOR COIL

75010751

REV.
A

TYPICAL ILLUSTRATION



OUTDOOR COIL

Parts List Number :75010757#4YCC4UP1

Model Number :4YCC4048A1090AC

Part No.	Reference No.	Quantity	Description
75010751_4YCC4UP1_177165-P	*		OUTDOOR COIL PARTS LIST

OUTDOOR COIL

75010751

REV.
A

TYPICAL ILLUSTRATION



OUTDOOR COIL PARTS LIST

Parts List Number :75010757#4YCC4UP1

Model Number :4YCC4048A1090AC

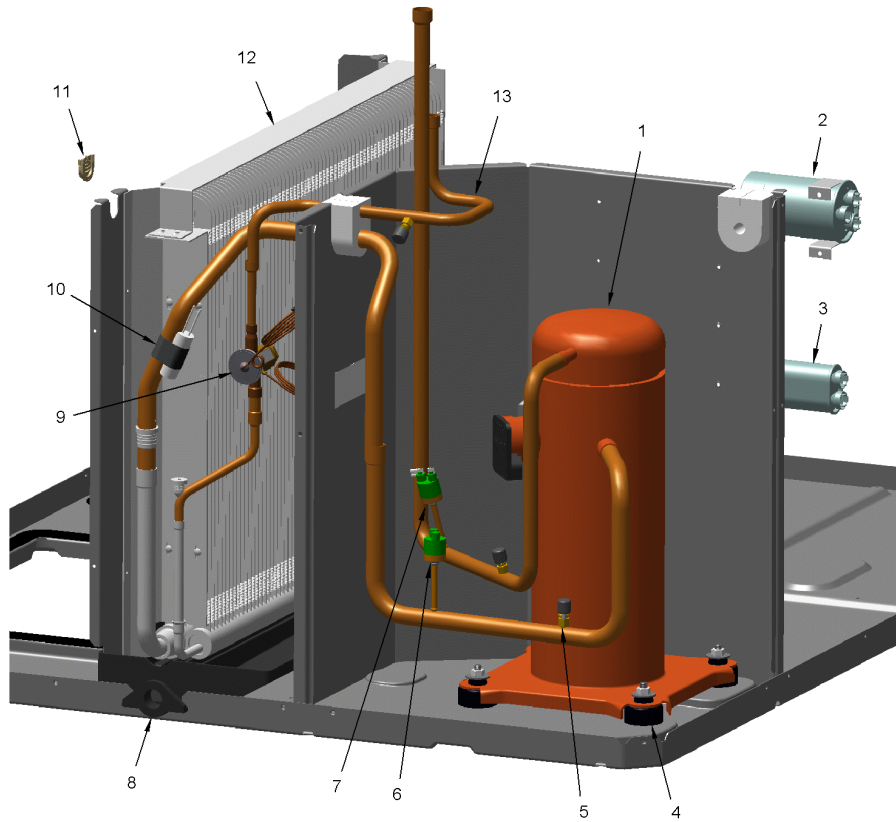
Part No.	Reference No.	Quantity	Description
COL25360	1	1	COIL; OUTDOOR, SPINE FIN, 55.67 L X 41.42 W X 16.50 H
SPC00391	2	8	SPACER; OUTDOOR COIL, 2.50 X 1.31. INCLUDES GASKET.
DHY01456	3	1	DRIER; LIQUID LINE; SERVICE FIRST; 5 CU. IN.; DCL054/3S, 1/2 ODF INLET X 3/8 ODF OUTLET; 5.4 TON CAPACITY; APPROVED FOR MINERAL OIL AND POE OIL REFRIG

REFRIGERATION

75010758

REV.
A

TYPICAL ILLUSTRATION



Parts List Number :75010757#4YCC4UP1

Model Number :4YCC4048A1090AC

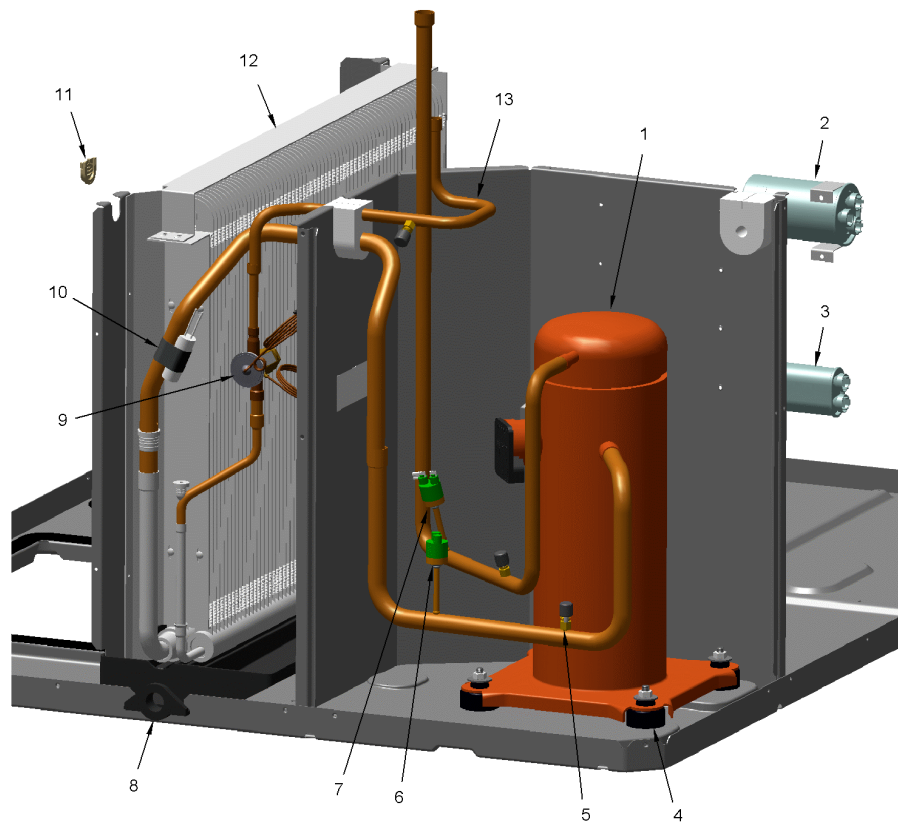
Part No.	Reference No.	Quantity	Description
75010758_4YCC4UP1_177172~P	*		REFRIGERATION PARTS LIST

REFRIGERATION

75010758

REV.
A

TYPICAL ILLUSTRATION



Part No.	Reference No.	Quantity	Description
TUB13912	*	1	TUBE; ASSEMBLY, SUCTION, INCLUDES LPCO
WIR04495	*	1	WIRE; PLUG, SCROLL COMPRESSOR, 3-WIRE (BK,OR,RD), 72 IN TOTAL LENGTH
COM11768	1	1	COMPRESSOR; SCROLL; ALLIANCE; SBA042B1CPA; 3.5 TON; 57,200 BTUH; 208/230-60-1; R-410A; BRAZED; SUCTION 7/8; DISCHARGE 1/2; RLA 21.8
CPT01233	2	1	CAPACITOR; 70 MFD, 440V, ROUND, W/O RESISTOR
SCR01510	2	2	SCREW; 10-16 AB HXW 1/2 SN
SRP00093	2	1	STRAP;CAPACITOR
CPT00477	3	1	CAPACITOR; RUN, 7.5 MFD, 370VAC, OVAL, W/O RESISTOR
BLT00809	4	4	BOLT; CARRIAGE, 5/16-18 X 1-3/4
GKT01820	4	4	GASKET; 3/4 OD X 7/16 ID X .06 THK
ISR00007	4	4	ISOLATOR; VIBRATION
NUT00355	4	4	NUT; HEX, LOCK, 5/16IN.-18
NUT00890	4	4	NUT; PALLET, 5/16-18 UNC 2B THD.
WAS00638	4	4	WASHER; FLAT, 5/16 INCH
BOD00114	5	3	BODY; VALVE, BRASS, 7/16 HEX, 7/16 -20 UNF-2A
CAP00455	5	3	CAP; HUB, 7/16-20 STRAIGHT
COR00103	5	3	CORE; VALVE, .79 LENGTH, .206-36 UNS-1 MOD. THD
SWT03546	6	1	SWITCH; LOW PRESSURE, OPEN @ 50 PSIG, CLOSE @ 70 PSIG
SWT03544	7	1	SWITCH; HIGH PRESSURE, SPST, OPEN @ 650 PSIG, CLOSE @ 500 PSIG, BRAZED
PAN02889	8	1	PAN; DRAIN, BLACK PVC, 35.70 X 7.75
VAL11890	9	1	VALVE; FLOW CONTROL ASSEMBLY, INCLUDES TXV AND DISTRIBUTOR
VAL11899	9	1	VALVE; EXPANSION, 3 TON, 3/8" INLET X 1/2" OUTLET, 200/86 PSIG, R410A
CLP01073	10	1	CLIP; BULB (RED)
GRM00103	11	1	GROMMET; SPLIT, COMPRESSOR
COL25350	12	1	COIL; INDOOR, MICROCHANNEL, 36.07 L X 20.00 H
TUB13267	13	1	TUBE; LIQUID LINE ASSEMBLY

FAN

75010673

REV
A

TYPICAL ILLUSTRATION



Parts List Number :75010757#4YCC4UP1

Model Number :4YCC4048A1090AC

Part No.	Reference No.	Quantity	Description
75010673_4YCC4UP1_177160~P	*		FAN PARTS LIST

FAN

75010673

REV
A

TYPICAL ILLUSTRATION



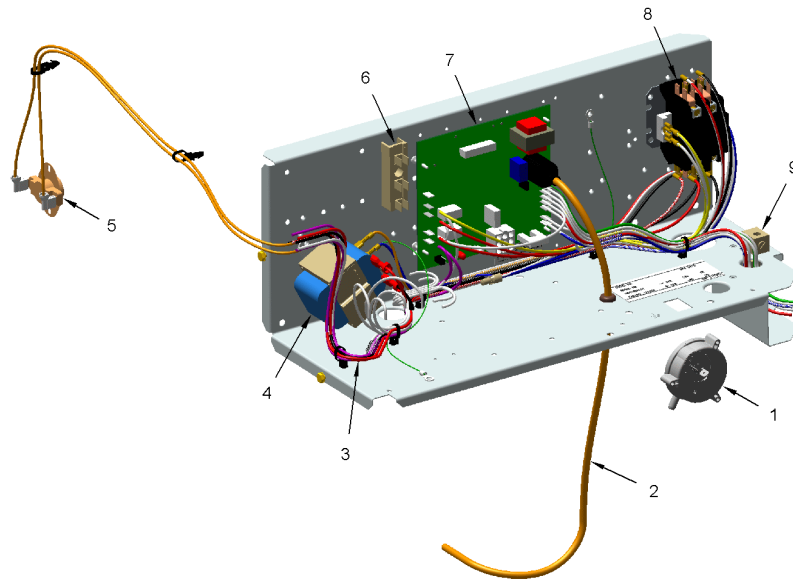
Part No.	Reference No.	Quantity	Description
FAN03849	1	1	FAN; SWEPT BLADE, 2 BLADE, ALUMINUM, 28 IN DIA, 30 DEG PITCH, .50 IN BORE, CCW, 1 SET SCREW-STEEL, FINISH/PAINT
MOT13833	2	1	MOTOR; OUTDOOR, 1/4 HP, 200-230/60/1, 825 RPM, TYPE PSC, CCW, SLEEVE BEARINGS, 7.5 MFD CPT AT 370V
GRL01530	3	1	GRILL; OUTDOOR FAN, 30.64 IN MOUNTING DIA
SCR02086	4	4	SCREW; 10-32 TR-3 HXW 3/8 S
GRD01633	5	1	GUARD; TROUGH-LEAD

CONTROL BOX

75010754

REV.
A

TYPICAL ILLUSTRATION



Parts List Number :75010757#4YCC4UP1

Model Number :4YCC4048A1090AC

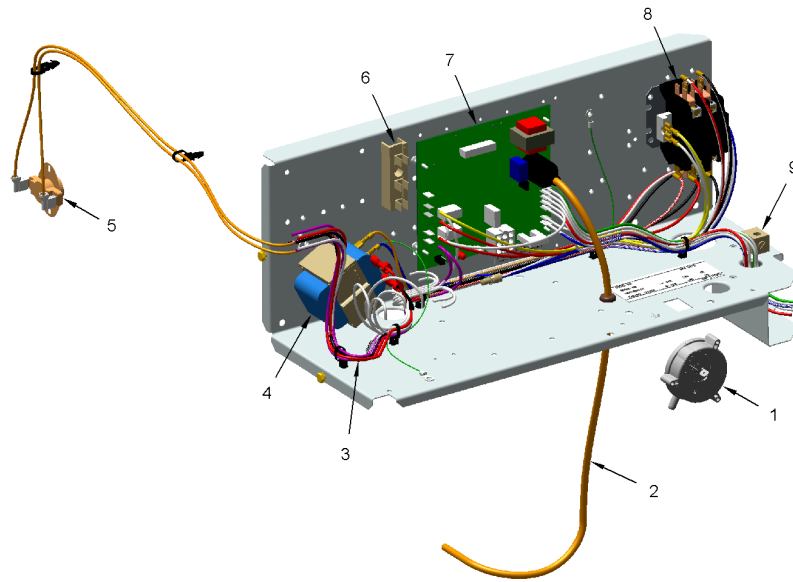
Part No.	Reference No.	Quantity	Description
75010754_4YCC4UP1_205770~P	*		CONTROLS PARTS LIST

CONTROL BOX

75010754

REV.
A

TYPICAL ILLUSTRATION



Part No.	Reference No.	Quantity	Description
CNT05640	1	1	CONTROL; AIR PRESSURE, SPST, 28VA PILOT DUTY AT 24 VAC, 125VA PILOT DUTY AT 125VAC, SNAP ACTING CONTACTS, OPERATING TEMP RANGE: -40 TO 190F
WIR02151	2	1	WIRE; HIGH VOLTAGE, 47 IN LENGTH
WIR09940	3	1	WIRE; HARNESS - CONTROL
TRR01898	4	1	TRANSFORMER; 50VA, 208/240V PRI, 24V SEC
SWT01274	5	1	SWITCH;THERMAL LIMIT, OPEN AT 125, CLOSE AT 95 DEG. F
BRD00385	6	1	BOARD; TERMINAL, FAN, 24V, 3 POLE
CNT07230	7	1	CONTROL; SINGLE STAGE, DIRECT SPARK IGNITION MODULE
CTR02994	8	1	CONTACTOR; 1 POLE + SHUNT, NO, 40 FLA AT 240V, 50/60 HZ, 40 RES AMPS, 32V COIL, 40 FLA AT 240/277/480/600V
LUG00014	9	1	LUG, GROUND

BLOWER

75010745

REV
A

TYPICAL ILLUSTRATION



Part No.	Reference No.	Quantity	Description
75010745_4YCC4UP1_314478-P	*		BLOWER PARTS LIST

BLOWER

75010745

REV
A

TYPICAL ILLUSTRATION

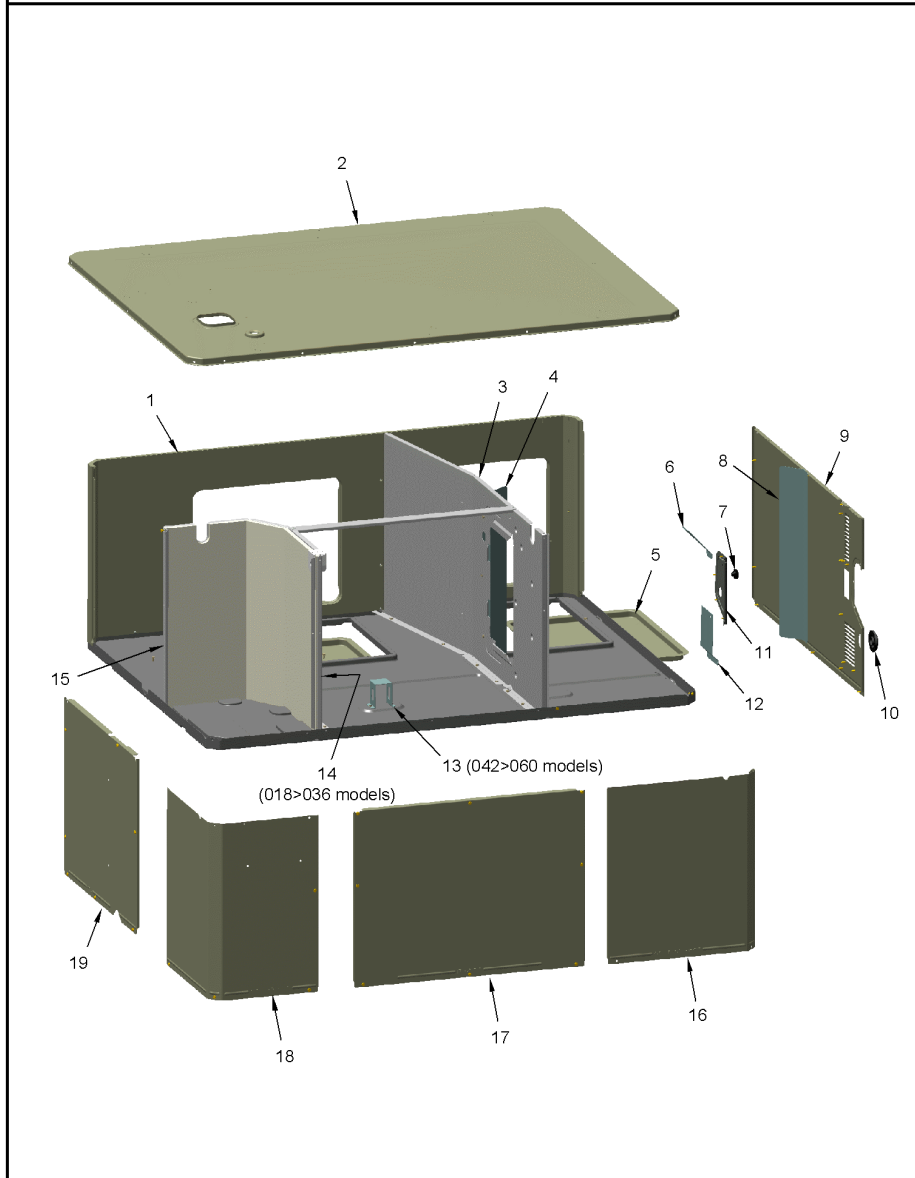


Part No.	Reference No.	Quantity	Description
CPT00477	*	1	CAPACITOR; RUN, 7.5 MFD, 370VAC, OVAL, W/O RESISTOR
MOT19295	1	1	MOTOR; CONSTANT TORQUE, PROGRAMMED, 3/4 HP, 230V, 1200-550 RPM, CW
SCR02112	2	4	SCREW; ASSEMBLY-MOTOR MOUNT
BRK03543	3	1	BRACKET; BLOWER RETAINER, 4.32 X 5.64
SCR00998	4	2	SCREW; 10-16 B HXW 1/2 S
SCR00968	5	1	SCREW; 10-16 HEX WASHER, TYPE B, THREAD FORMING SCREW, 0.31 THREAD LENGTH, STEEL W/ZINC FINISH
NUT00487	6a	1	NUT; STEEL HEX, 1/4-20
SCR01584	6b	1	BOLT; 1/4-20 MA HX 1.5 S
WAS00646	6c	1	WASHER; STEEL SPRING LOCK, 1/4 INCH
BND00026	7	1	BAND; MOTOR MOUNT
BRK03396	8	4	BRACKET; ARM-MOTOR
WHL02558	9	1	WHEEL; BLOWER, 48 BLADES, CCW, CONCAVE DISC, 10.62 X 10.68
HUS03824	10	1	HOUSING; BLOWER LEFT SIDE WITH 4 MOUNTING HOLES, MOLDED GLASS FIBER POLYESTER, COLOR: NATURAL
CLP01088	11	4	CLIP; CLEAT-BLOWER
HUS03825	12	1	HOUSING; BLOWER RIGHT SIDE WITHOUT MOUNTING HOLES, MOLDED GLASS FIBER POLYESTER, COLOR: NATURAL

CABINET
LOWER - INDOOR
TYPICAL ILLUSTRATION

75010752

REV.
A



Parts List Number :75010757#4YCC4UP1

Model Number :4YCC4048A1090AC

Part No.	Reference No.	Quantity	Description
75010752_4YCC4UP1_177167~P	*		CABINET - LOWER PARTS LIST

CABINET
LOWER - INDOOR
TYPICAL ILLUSTRATION

75010752

REV.
A

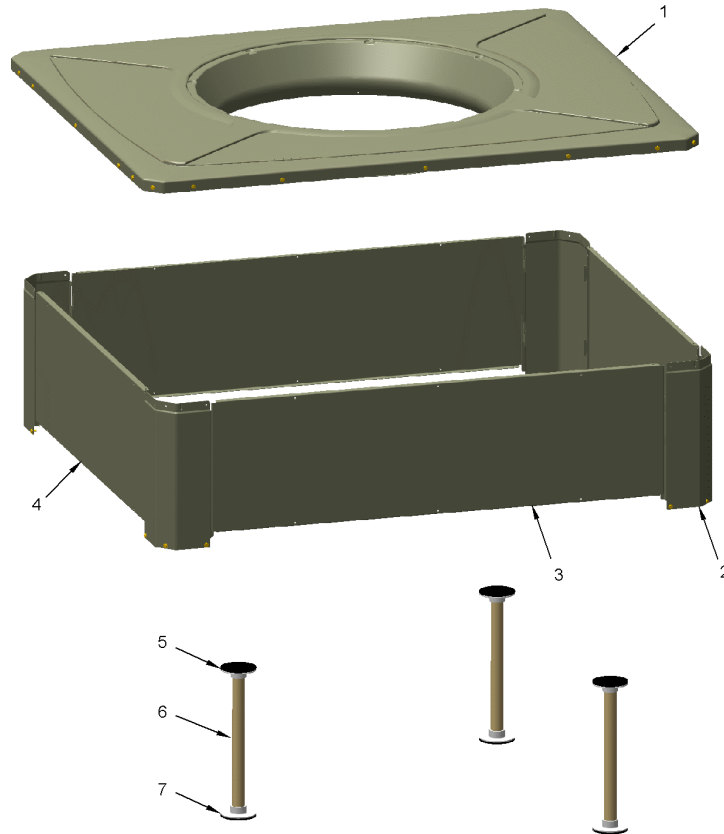


Part No.	Reference No.	Quantity	Description
PAI00074	*	1	PAINT; SPRAY, SLATE GREY, FULL GLOSS(88) (SHIPPING UOM 12 OZ HAZ)
PLT04112	*	1	PLATE; APPEARANCE NAMEPLATE, TRANE, 7.5 X 1.8
PNL32043	1	1	PANEL; SUPPLY AND RETURN, 58.13 X 20.88
COV04900	2	1	COVER; TOP, INDOOR, 58.33 X 44.08
PNL26625	3	1	PANEL; BLOWER BARRIER, 44.05 X 21.15
BAF01248	4	1	BAFFLE; AIR, 18 IN HIGH
COV04902	5	2	COVER; SUPPLY AND RETURN, 17.88 X 14.88
SHD00397	6	1	SHIELD; LOUVER, TOP, 5.0 X 1.9
GRM00118	7	1	GROMMET; 3/16 IN ID, NEOPRENE
BAF01392	8	1	BAFFLE; AIR, 20.00 X 3.68
GRM00129	8	2	GROMMET; SCREW
PNL32045	9	1	PANEL; GAS HEAT, 39.00 X 20.90
BUS00616	10	1	BUSHING; 1.62 DIA
PNL22042	11	1	PANEL; GAS HEAT, 7.81 X 4.50
SCR01511	11	4	SCREW; 10-16 B HXW 1/2 S
SHD00424	12	1	SHIELD; LOUVER, BOTTOM, 6.0 X 4.0
BRK03544	13	1	BRACKET; BLOWER SUPPORT, U-SHAPED, 3.00 X 2.00 X 2.83
PNL28755	15	1	PANEL; COMPRESSOR BARRIER, 27.22 W X 21.15 H
PNL22000	16	1	PANEL; CONTROL/HEAT ACCESS, 17.93 X 20.70
PNL22014	17	1	PANEL; BLOWER ACCESS, 27.36 X 20.70
PNL21998	18	1	PANEL; COMPRESSOR ACCESS, 20.7 X 12.7 & 20.7 X 15.5
PNL22040	19	1	PANEL; INDOOR COIL ACCESS, 25.42 X 20.70

CABINET
UPPER - OUTDOOR
TYPICAL ILLUSTRATION

75010703

REV.
A



Parts List Number :75010757#4YCC4UP1

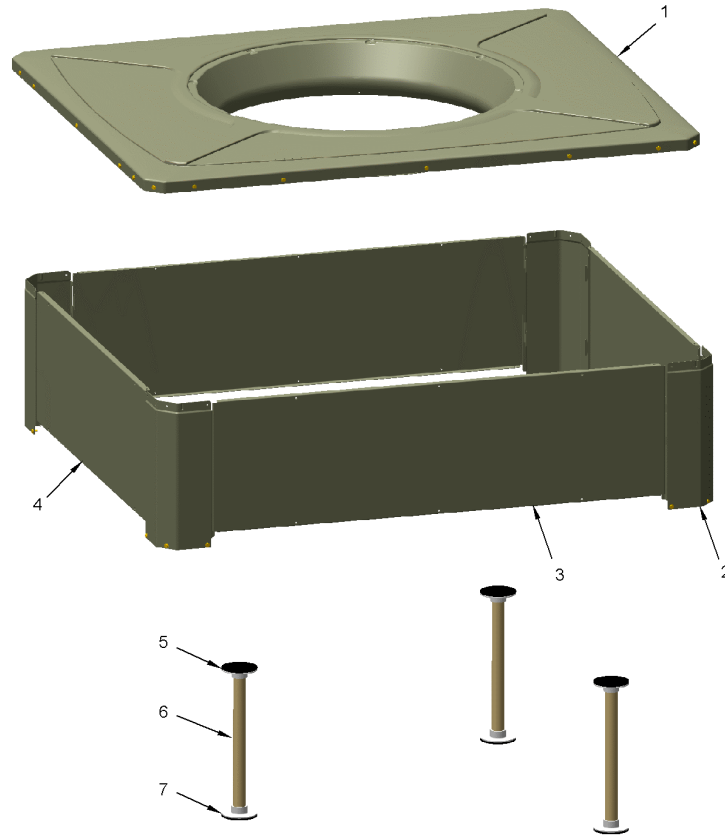
Model Number :4YCC4048A1090AC

Part No.	Reference No.	Quantity	Description
75010703_4YCC4UP1_177161~P	*		CABINET - UPPER PARTS LIST

CABINET
UPPER - OUTDOOR
TYPICAL ILLUSTRATION

75010703

REV.
A



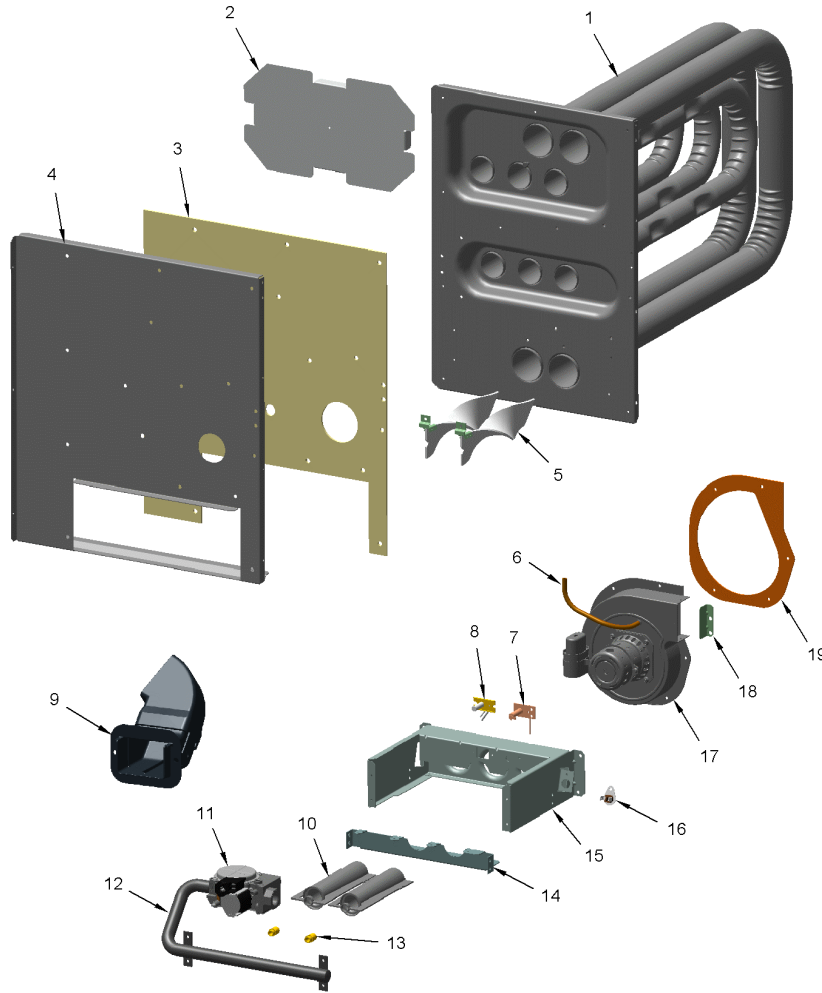
Part No.	Reference No.	Quantity	Description
SCR01510	*	24	SCREW; 10-16 AB HXW 1/2 SN
COV03695	1	1	COVER; OUTDOOR, TOP, 58.33 X 44.08
PNL22003	2	4	PANEL; CORNER POST, 15.84 H
PNL22012	3	2	PANEL; METAL LOUVER, 49.25 X 15.40
PNL22008	4	2	PANEL; METAL LOUVER, 35.00 X 15.40
SUP05919	5	3	SUPPORT; OUTDOOR COIL, 3.0 DIA, WITH GASKET
TUB12285	6	3	TUBE; SUPPORT, TOP PIPE, .75 DIA, SCHEDULE 40 GREY PVC, 16.46 INCHES
SUP05918	7	3	SUPPORT; OUTDOOR COIL, 3.0 DIA, WITH GASKET

HEAT

75010755

REV.
A

TYPICAL ILLUSTRATION



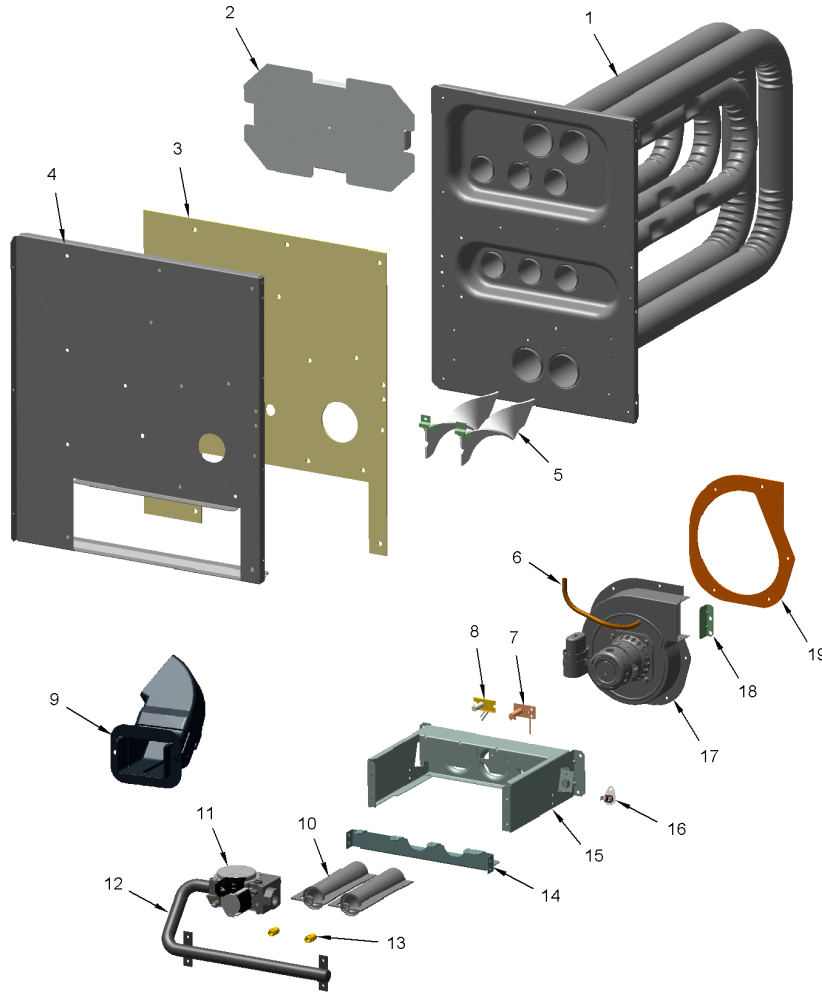
Part No.	Reference No.	Quantity	Description
75010755_4YCC4UP1_177170~P	*		HEAT PARTS LIST

HEAT

75010755

REV
A

TYPICAL ILLUSTRATION



Part No.	Reference No.	Quantity	Description
EXC02603	1	1	EXCHANGER; HEAT
SHD00398	2	1	SHIELD; HEAT, STAINLESS STEEL, 12.77 X 7.32
GKT04063	3	1	GASKET; COLLECTOR BOX, 20.96 X 14.82
BOF01930	4	1	BLOCKOFF; BARRIER-GAS HEAT, 21.16 X 18.30
TRB00121	5a	3	TURBULATOR; AND BRACKET ASSEMBLY
BRK03603	5b	3	BRACKET; TURBULATOR
SCR00998	5c	3	SCREW; 10-16 B HXW 1/2 S
HSE01563	6	1	HOSE; PRESSURE SWITCH, 5.00 X .188 ID X .094 WALL, TRANSLUCENT SILICONE COMPOUND
SEN00297	7	1	SENSOR; FLAME
IGN00135	8	1	IGNITER; ELECTRODE, 22 INCH LEAD
HOD00519	9	1	HOOD; ASSEMBLY, FLUE
BNR01071	10	3	BURNER; 0.60 ID INSHOT BURNER, 0.036 THK 304 STAINLESS STEEL
VAL09033	11	1	VALVE; GAS, 1/2-14 NPT, 24V, 50/60 HZ, "J" SERIES
MFD01334	12	1	MANIFOLD; ASSEMBLY-GAS, INCLUDES (3) ORF01406
ORF01406	13	3	ORIFICE; GAS, .1040 DIA, # 37 DRILL, SPUD
RTR00981	14	1	RETAINER; BURNER, 10.65 L
BRK04542	15	1	BRACKET; BURNER
SWT02945	16	1	SWITCH; TEMP, 200 OPEN/CLOSE MANUAL, 25 AMP AT 240V, 125V PILOT DUTY, STAINLESS STEEL
BLW01371	17	1	BLOWER; INDUCER, 208-230/60/1, 3075 RPM, 1/44-1/39 HP, 2 MFD CPT AT 370 VAC, INCLUDES GKT04075
RSR00357	18	1	RESTRICTOR; FLUE OUTLET, 2.20 L X 0.50 W X 0.62 H
GKT04075	19	1	GASKET; INDUCER BLOWER



Part No.	Reference No.	Quantity	Description
75008692_4YCC4UP1_109189-P	*		MODEL NUMBER DESCRIPTION PARTS LIST



OPTIONAL EQUIPMENT

Parts List Number :75010757#4YCC4UP1

Model Number :4YCC4048A1090AC

Part No.	Reference No.	Quantity	Description
NGRAPHIC_4YCC4UP1_177173~ P	*		OPTIONAL EQUIPMENT PARTS LIST

Part No.	Reference No.	Quantity	Description
BAYACCDOR2A	*	1	KIT; ACCESS DOOR, 3-1/2 TO 5 TON MODELS (BAYACCDOR2AA)
BAYADAP052A	*	1	KIT; CURB ADAPTER (BAYADAP052AA)
BAYADAP053A	*	1	KIT; CURB ADAPTER (BAYADAP053AA)
BAYADAP054A	*	1	KIT; CURB ADAPTER (BAYADAP054AA)
BAYCCHT102A	*	1	KIT; CRANKCASE HEATER, 230V SCROLL COMPRESSORS (BAYCCHT102AA) 6.5-7.5 DIA, 60W, 110L
BAYCOVR112A	*	1	KIT; 12 INCH DUCT SHROUD COVERS HORIZONTAL (BAYCOVR112AA)
BAYCOVR118A	*	1	KIT; 18 INCH DUCT SHROUD COVERS HORIZONTAL (BAYCOVR118AA)
BAYCURB051A	*	1	KIT; FULL PERIMETER ROOF MOUNTING CURB (BAYCURB051AA)
BAYDMPR102A	*	1	KIT; OUTSIDE AIR, 2 POS DAMPER (BAYDMPR102AA)
BAYECON102A	*	1	ECONOMIZER; DOWN DISCHARGE, AND RAIN HOOD(BAYECON102AA)
BAYECON201A	*	1	ECONOMIZER; HORIZONTAL (BAYECON201AA)
BAYECONCOMB102	*	1	ECONOMIZER KIT
BAYENTH001A	*	1	KIT; ENTHALPY CONTROL (BAYENTH001AB)
BAYEXMK001A	*	1	KIT; EXTREME CONDITION MOUNTING KIT, USED WITH BAYCURB
BAYEXMK002B	*	1	KIT; EXTREME CONDITION MOUNTING KIT, USED WITH BAYUTIL
BAYEXMK003A	*	1	KIT; EXTREME CONDITION MOUNTING KIT, SLAB MOUNTING
BAYLIFT002B	*	1	KIT; LIFTING LUGS-BAYLIFT002B (CTN = 6 PIECES)
BAYLOAM105A	*	1	KIT; LOW AMBIENT COOLING, HEAD PRESSURE CONTROL (BAYLOAM105AA)
BAYLPKT101A	*	1	KIT; LP CONVERSION (BAYLPKT101AA)
BAYOSAH002A	*	1	KIT; OUTSIDE AIR, MANUAL DAMPER (BAYOSAH002AA)
BAYQSTK301A	*	1	KIT; QUICK START (BAYQSTK301AA)
BAYSQRD002A	*	1	KIT; SQUARE/ROUND DUCT ADAPTER (BAYSQRD002AB)
BAYUV102A	*	1	36 WATT UV LIGHT KIT FOR MEDIUM PACKAGED UNITS
KIT15326	*	1	KIT; ROOF CURB UTILITY EXTENSION KIT (BAYUTIL102BA)
THT00839	*	1	THERMOSTAT; REMOTE POTENTIOMETER, 60-90 DEG F (BAYSTAT023AA)
TMR00140	*	1	TIMER; ANTISHORT CYCLE (BAYASCT001)