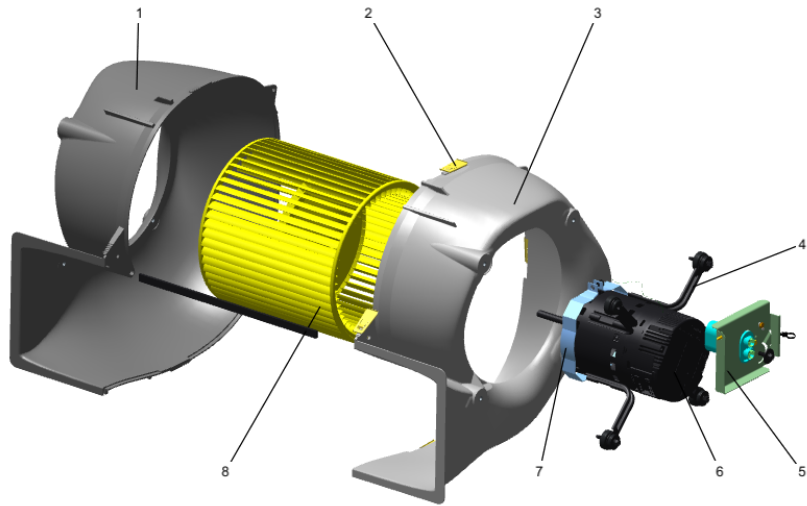


Part No.	Reference No.	Quantity	Description
0000171624~S	*		BLOWER
0000147525~S	*		CABINET
0000147524~S	*		CONTROLS
0000147523~S	*		FAN
0000147521~S	*		GENERAL ASSEMBLY
0000171625~S	*		HEAT EXCHANGER
0000147527~S	*		MODEL NUMBER DESCRIPTION
0000147522~S	*		REFRIGERATION

Part No.	Reference No.	Quantity	Description
0000037388~P	*		BLOWER PARTS LIST



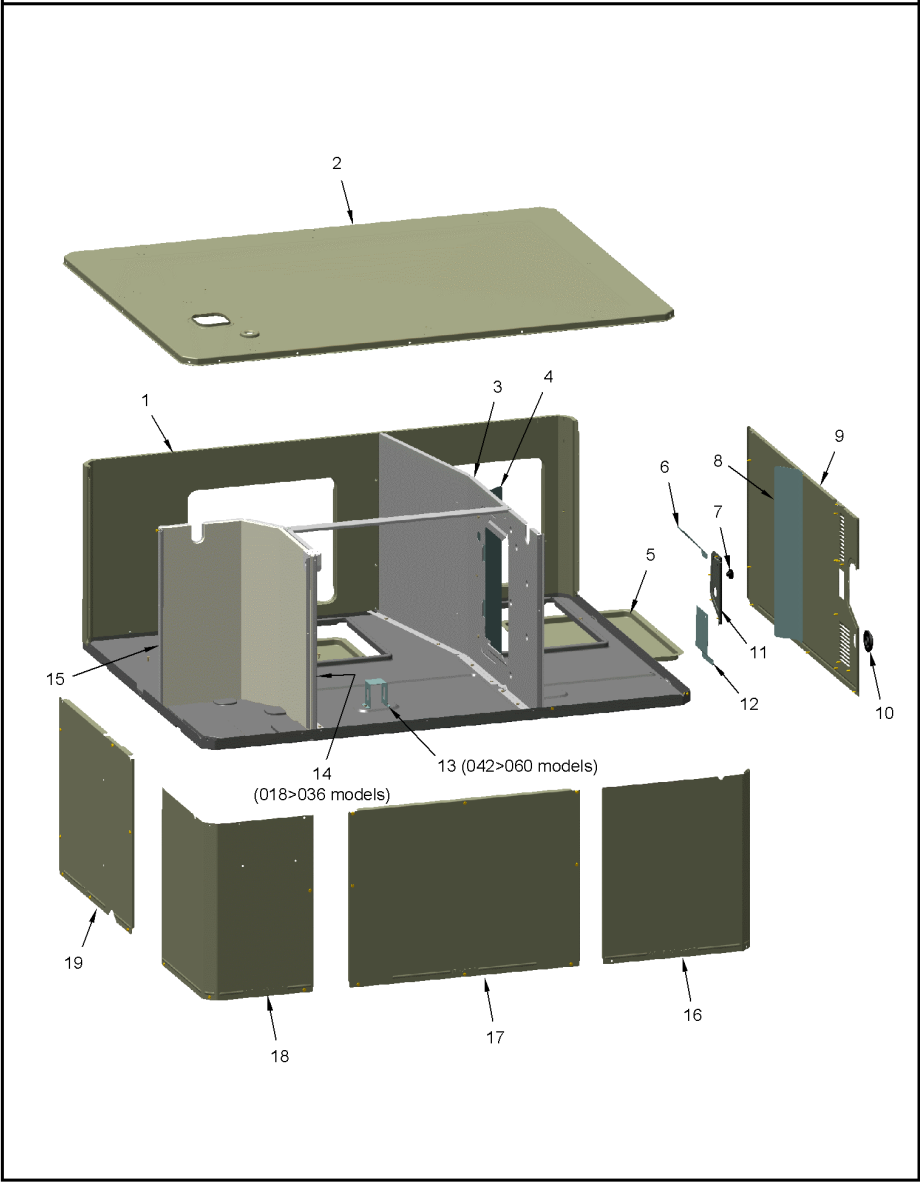
Part No.	Reference No.	Quantity	Description
NUT01063		1	NUT; LOCKING NYLON
SCR00968		1	SCREW; 10-16 HEX WASHER, TYPE B, THREAD FORMING SCREW, 0.31 THREAD LENGTH, STEEL W/ZINC FINISH
SCR00998		2	SCREW; 10-16 B HXW 1/2 S
SCR01584		1	BOLT; 1/4-20 MA HX 1.5 S
SCR02112		4	SCREW; ASSEMBLY-MOTOR MOUNT
TIE00004		1	TIE; WIRE
HUS03824	1	1	HOUSING; BLOWER LEFT SIDE WITH 4 MOUNTING HOLES, MOLDED GLASS FIBER POLYESTER, COLOR: NATURAL
CLP01123	2	4	CLIP; CLEAT-BLOWER
HUS03825	3	1	HOUSING; BLOWER RIGHT SIDE WITHOUT MOUNTING HOLES, MOLDED GLASS FIBER POLYESTER, COLOR: NATURAL
BRK03396	4	4	BRACKET; ARM-MOTOR
BRK03543	5	1	BRACKET; BLOWER RETAINER, 4.32 X 5.64
MOT19314	6	1	MOTOR; CONSTANT TORQUE, PROGRAMMED, 3/4 HP, 230V, 1200-550 RPM, CW
BND00026	7	1	BAND; MOTOR MOUNT
WHL02558	8	1	WHEEL; BLOWER, 48 BLADES, CCW, CONCAVE DISC, 10.62 X 10.68

Part No.	Reference No.	Quantity	Description
0000026510~P	*		CABINETS PARTS LIST

CABINET
LOWER - INDOOR
TYPICAL ILLUSTRATION

75010752

REV.
A



Part No.	Reference No.	Quantity	Description
COV03695	*	2	COVER; OUTDOOR, TOP, 58.33 X 44.08
INS02869	*	1	INSULATION; INDOOR TOP COVER, 17.5 X 7.4
PAI00074	*	0	PAINT; SPRAY, SLATE GREY, FULL GLOSS(88) (SHIPPING UOM 12 OZ HAZ)
PNL22001	*	4	PANEL; CORNER POST, 11.84 H
PNL32038	*	2	PANEL; METAL LOUVER, 34.99 X 11.40
PNL32040	*	2	PANEL; METAL LOUVER, 49.25 X 11.40
SCR00981	*	27	SCREW, 10-16 AB HXW 1/2 S
SCR01509	*	2	SCREW; 10-16 AB HXW 3/4 S N
SCR01623	*	102	SCREW; SHEET METAL, 10-16 UNC X 1/2, HIGH TORQUE, INDENT HEX-WASHER HEAD
SCR02328	*	102	(X25240209010) SCREW M4 X 0.7 X 10, PH
SUP05918	*	3	SUPPORT; OUTDOOR COIL, 3.0 DIA, WITH GASKET
SUP05919	*	3	SUPPORT; OUTDOOR COIL, 3.0 DIA, WITH GASKET
TUB12006	*	3	TUBE; SUPPORT, TOP PIPE, .75 DIA, SCHEDULE 40 GREY PVC, 12.46 INCHES
PNL32043	1	1	PANEL; SUPPLY AND RETURN, 58.13 X 20.88
COV04900	2	1	COVER; TOP, INDOOR, 58.33 X 44.08
PNL26625	3	1	PANEL; BLOWER BARRIER, 44.05 X 21.15
BAF01248	4	1	BAFFLE; AIR, 18 IN HIGH
COV04902	5	2	COVER; SUPPLY AND RETURN, 17.88 X 14.88
SHD00397	6	1	SHIELD; LOUVER, TOP, 5.0 X 1.9
GRM00118	7	1	GROMMET; 3/16 IN ID, NEOPRENE
BAF01392	8	1	BAFFLE; AIR, 20.00 X 3.68
GRM00129	8a	2	GROMMET; SCREW
PNL32045	9	1	PANEL; GAS HEAT, 39.00 X 20.90
BUS00616	10	1	BUSHING; 1.62 DIA
PNL22042	11	1	PANEL; GAS HEAT, 7.81 X 4.50
SCR01511	11a	16	SCREW; 10-16 B HXW 1/2 S
SHD00424	12	1	SHIELD; LOUVER, BOTTOM, 6.0 X 4.0
BRK03544	13	1	BRACKET; BLOWER SUPPORT, U-SHAPED, 3.00 X 2.00 X 2.83
PNL28755	15	1	PANEL; COMPRESSOR BARRIER, 27.22 W X 21.15 H
PNL22000	16	1	PANEL; CONTROL/HEAT ACCESS, 17.93 X 20.70
PNL22014	17	1	PANEL; BLOWER ACCESS, 27.36 X 20.70
PNL21998	18	1	PANEL; COMPRESSOR ACCESS, 20.7 X 12.7 & 20.7 X 15.5
PNL22040	19	1	PANEL; INDOOR COIL ACCESS, 25.42 X 20.70

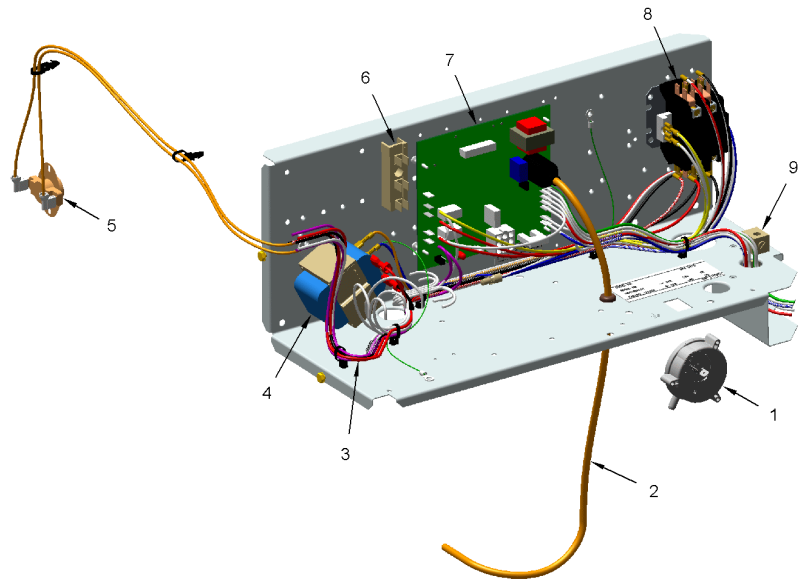
Part No.	Reference No.	Quantity	Description
0000026535~P	*		CONTROLS PARTS LIST

CONTROL BOX

75010754

REV.
A

TYPICAL ILLUSTRATION



Part No.	Reference No.	Quantity	Description
CNT07230	*	1	CONTROL; SINGLE STAGE, DIRECT SPARK IGNITION MODULE
CON00077	*	1	CONNECTOR, ELECTRIC GROUND, 14-2 AWG SOLDERLESS
CON00251	*	1	CONNECTOR; WIRE
PLU00325	*	1	PLUG; CONNECTOR, POLARIZED, 9 PIN MALE, NYLON, NATURAL COLOR
SCR00968	*	2	SCREW; 10-16 HEX WASHER, TYPE B, THREAD FORMING SCREW, 0.31 THREAD LENGTH, STEEL W/ZINC FINISH
SCR00981	*	5	SCREW, 10-16 AB HXW 1/2 S
SCR00998	*	7	SCREW; 10-16 B HXW 1/2 S
SCR01924	*	2	SCREW; 6-32 X .75, THREAD ROLLING SCREWS-ZINC PLATED, HEX WASHER
TER00312	*	8	TERMINAL; 8IN. TIE CABLE
TIE00005	*	5	TIE; WIRE, .06-1.75 DIA
TIE00008	*	8	TIE;CABLE
WIR07794C	*	5	(X19210028130) TIE; WIRE NYLON 7.78 INCH 50 LB. .184" W
CNT05641	1	1	CONTROL; AIR PRESSURE, SPST, 28VA PILOT DUTY AT 24 VAC, 125VA PILOT DUTY AT 125VAC, SNAP ACTING CONTACTS, OPERATING TEMP RANGE: -40 TO 190F
WIR09939	3	1	WIRE; HARNESS - CONTROL
TRR01898	4	1	TRANSFORMER; 50VA, 208/240V PRI, 24V SEC
CTR02994	8	1	CONTACTOR; 1 POLE + SHUNT, NO, 40 FLA AT 240V, 50/60 HZ, 40 RES AMPS, 32V COIL, 40 FLA AT 240/277/480/600V

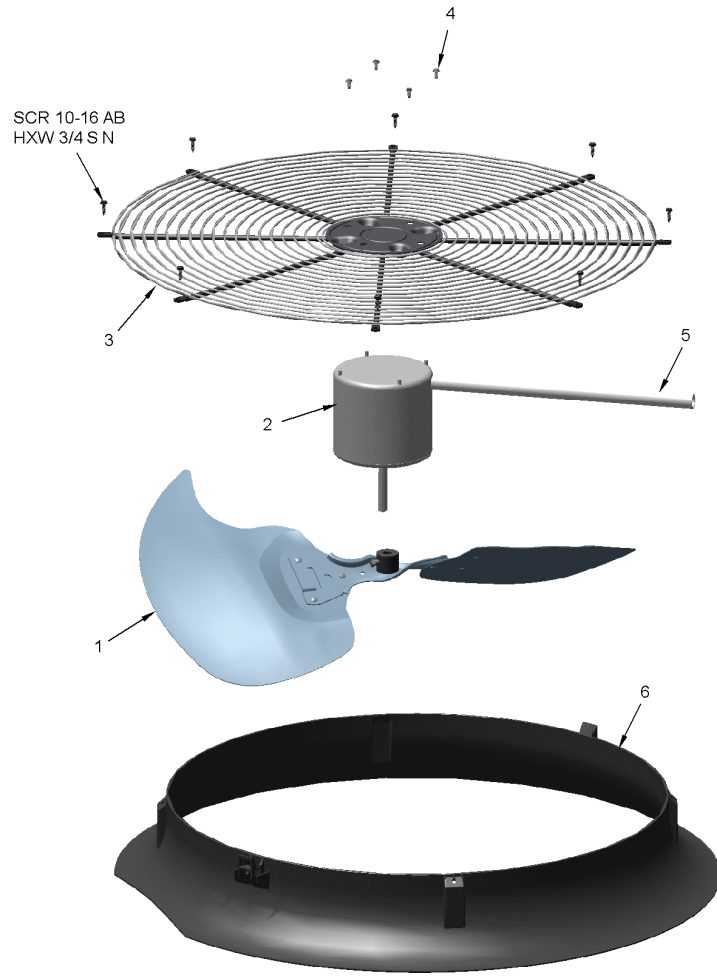
Part No.	Reference No.	Quantity	Description
0000026534~P	*		FAN PARTS LIST

FAN

75010748

REV.
A

TYPICAL ILLUSTRATION



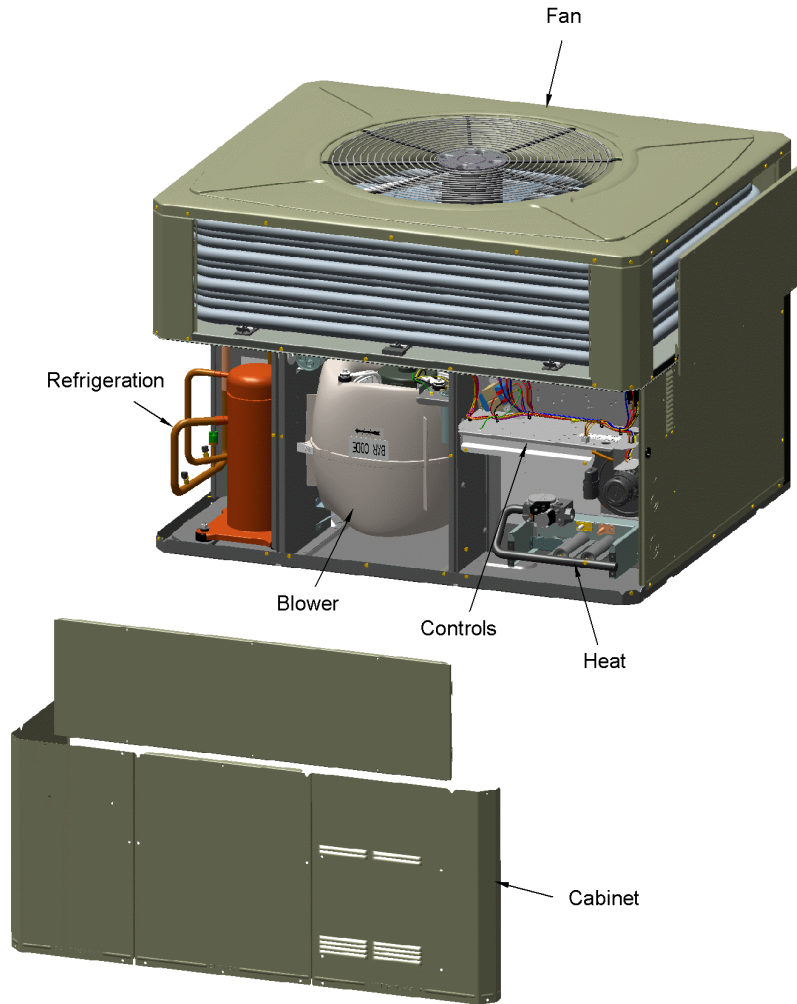
Part No.	Reference No.	Quantity	Description
FAN03849	1	1	FAN; SWEPT BLADE, 2 BLADE, ALUMINUM, 28 IN DIA, 30 DEG PITCH, .50 IN BORE, CCW, 1 SET SCREW-STEEL, FINISH/PAINT
MOT13833	2	1	MOTOR; OUTDOOR, 1/4 HP, 200-230/60/1, 825 RPM, TYPE PSC, CCW, SLEEVE BEARINGS, 7.5 MFD CPT AT 370V
GRL01530	3	1	GRILL; OUTDOOR FAN, 30.64 IN MOUNTING DIA
SCR02086	4	4	SCREW; 10-32 TR-3 HXW 3/8 S
GRD01440	5	1	GUARD; TROUGH-LEAD

Part No.	Reference No.	Quantity	Description
0000026531~P	*		GENERAL ASSEMBLY GRAPHIC

PACKAGED UNITS
Gas Electric
TYPICAL ILLUSTRATION

75010757

REV.
A



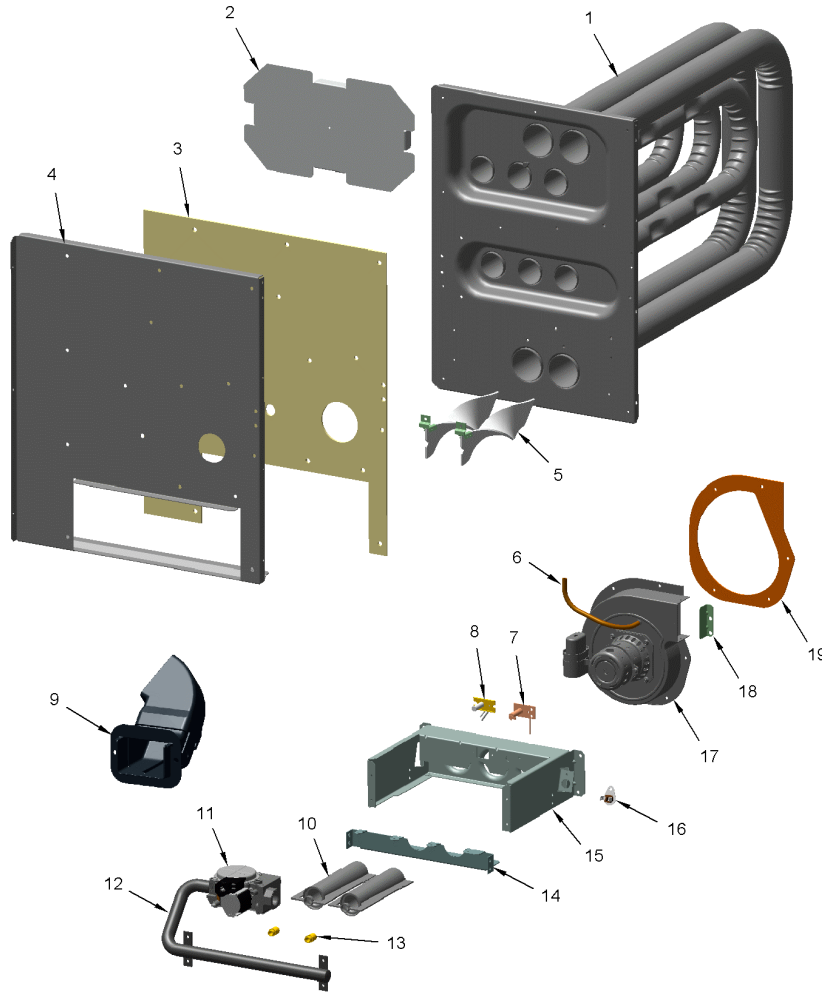
Part No.	Reference No.	Quantity	Description
0000037369~P	*		HEAT EXCHANGER PARTS LIST

HEAT

75010755

REV
A

TYPICAL ILLUSTRATION



Part No.	Reference No.	Quantity	Description
MFD01152	*	1	MANIFOLD; GAS
RIV00064	*	4	RIVET; BLIND, .188 DIA X .277 LG
SCR00981	*	28	SCREW, 10-16 AB HXW 1/2 S
SCR00995	*	15	SCREW; 10-16 AB HXW 3/4 S N
SCR00998	*	2	SCREW; 10-16 B HXW 1/2 S
SCR01009	*	3	SCREW; 10-16 A HXW 3/8 S
SCR01252	*	15	SCREW; 10-16 AB HXW 3/4 S N
SCR01511	*	4	SCREW; 10-16 B HXW 1/2 S
SCR02773	*	1	SCREW; 10-16 AB HXW 3/4 SS
THT02540	*	1	THERMOSTAT; LIMIT SWITCH, OPEN AT 120F, CLOSE AT 100F
TIE00004	*	2	TIE; WIRE
EXC03322	1	1	EXCHANGER; ASM-GAS
SHD00398	2	1	SHIELD; HEAT, STAINLESS STEEL, 12.77 X 7.32
GKT04063	3	1	GASKET; COLLECTOR BOX, 20.96 X 14.82
BOF01930	4	1	BLOCKOFF; BARRIER-GAS HEAT, 21.16 X 18.30
TRB00121	5a	2	TURBULATOR; AND BRACKET ASSEMBLY
BRK03603	5b	2	BRACKET; TURBULATOR
HSE01563	6	1	HOSE; PRESSURE SWITCH, 5.00 X .188 ID X .094 WALL, TRANSLUCENT SILICONE COMPOUND
SEN00297	7	1	SENSOR; FLAME
IGN00135	8	1	IGNITER; ELECTRODE, 22 INCH LEAD
HOD00519	9	1	HOOD; ASSEMBLY, FLUE
BNR01071	10	2	BURNER; 0.60 ID INSHOT BURNER, 0.036 THK 304 STAINLESS STEEL
VAL09033	11	1	VALVE; GAS, 1/2-14 NPT, 24V, 50/60 HZ, "J" SERIES
MFD01336	12	1	MANIFOLD; ASSEMBLY-GAS, INCLUDES (2) ORF01406
ORF01406	13	2	ORIFICE; GAS, .1040 DIA, # 37 DRILL, SPUD
RTR00982	14	1	RETAINER; BURNER, 10.65 L
BRK04541	15	1	BRACKET; BURNER
SWT02945	16	1	SWITCH; TEMP, 200 OPEN/CLOSE MANUAL, 25 AMP AT 240V, 125V PILOT DUTY, STAINLESS STEEL
BLW01369	17	1	BLOWER; INDUCER, 208-230/60/1, 3345 RPM, 1/44-1/39 HP, 2 MFD CPT AT 370 VAC, INCLUDES GKT04075
RSR00206	18	1	RESTRICTOR; FLUE OUTLET
GKT04075	19	1	GASKET; INDUCER BLOWER

Part No.	Reference No.	Quantity	Description
0000026536~P	*		MODEL NUMBER DESCRIPTION

MODEL NUMBER DESCRIPTION	75011470	REV C
PACKAGED UNITS		
<i>Example Model Number:</i> 4 Y C Y 5 0 4 8 A 1 0 9 0 A A 1 - - - 5 - - - 10 - - - 15		
Digit 1 – Refrigerant 4 = R-410A		
Digit 2 – Type Y = Gas Electric W = Heat Pump D = Dual Fuel T = Air Conditioner		
Digit 3 – Model Tier C = Convertible H = Horizontal (only)		
Digit 4 – Model Tier C = Entry Level X = Upgrade Y = Premium Z = Leadership - (2-Stage) A = RunTru Brand		
Digit 5 – Efficiency Tier 3 = 13 SEER 4 = 14 SEER 5 = 15 SEER 6 = 16 SEER		
Digits 6,7,8 – Capacity in 1000's (BTUH) 018 042 024 048 030 060 036		
Digit 9 – Major Design Change		
Digit 10 – Voltage & Phase 1 = 230V 1 Phase 3 = 230V 3 Phase 4 = 460V 3 Phase		
Digit 11,12,13 – Gas Heat Input (MBTU/H) 000 (AC or HP) 075 040 096 064 120		
Digit 14 – Minor Design Change		
Digit 15 – Service Digit - Not Orderable		
1 of 1		

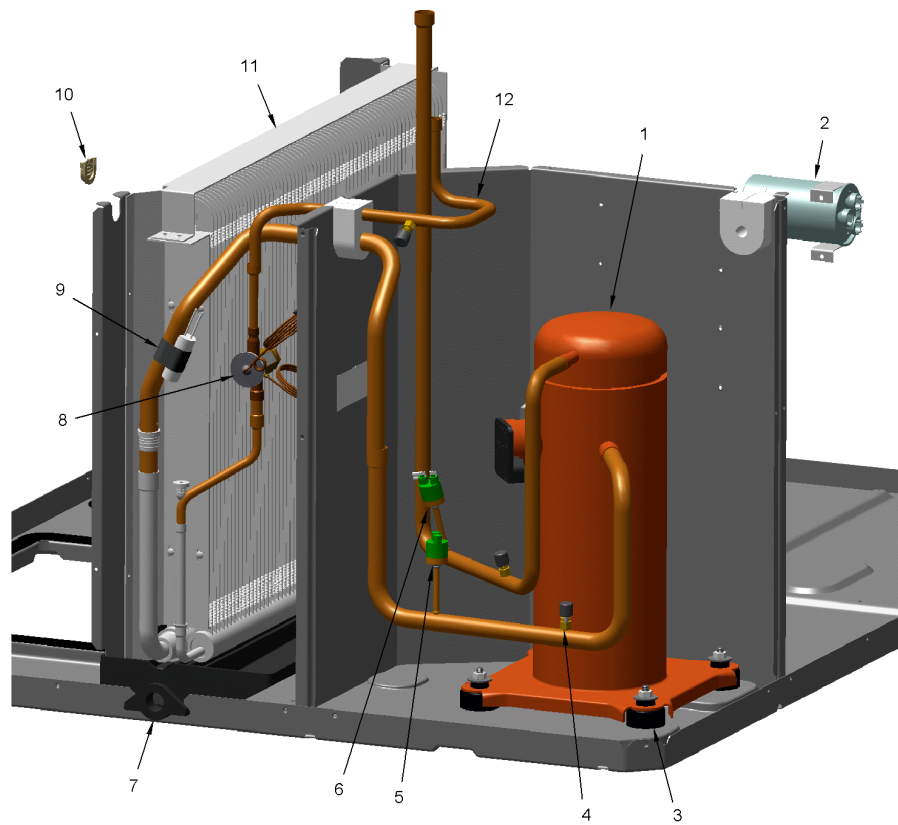
Part No.	Reference No.	Quantity	Description
0000026533~P	*		REFRIGERATION PARTS LIST

REFRIGERATION

75010759

REV.
A

TYPICAL ILLUSTRATION



Part No.	Reference No.	Quantity	Description
COL25357	*	1	COIL; OUTDOOR, SPINE FIN, 55.67 L X 41.42 W X 12.50 H
CON00251	*	3	CONNECTOR; WIRE
DHY01456	*	1	DRIER; LIQUID LINE; SERVICE FIRST; 5 CU. IN.; DCL054/3S, 1/2 ODF INLET X 3/8 ODF OUTLET; 5.4 TON CAPACITY; APPROVED FOR MINERAL OIL AND POE OIL REFRIG
ISR00007	*	4	ISOLATOR; VIBRATION
KIT08039	*	4	KIT; GROMMETS. COMPRESSOR MOUNTING. (CONSISTS OF 4), 0.44 ID X 1.63 OD NEOPRENE RUBBER-BLACK 45-55 DUROMETER
NUT00355	*	4	NUT; HEX, LOCK, 5/16IN.-18
NUT00890	*	4	NUT; PALLET, 5/16-18 UNC 2B THD.
PAN02765	*	1	PAN; DRAIN, BLACK PVC, 35.70 X 7.75
SCR01511	*	2	SCREW; 10-16 B HXW 1/2 S
TER00312	*	11	TERMINAL; 8IN. TIE CABLE
TIE00015	*	9	TIE;
TIE00029	*	11	TIE;CABLE
TUB02810	*	12	TUBE; TRANSITION
TUB11547	*	12	TUBE; TRANSITION ASSEMBLY
TUB13600	*	1	TUBE; LIQUID
TUB13911	*	1	TUBE; ASSEMBLY, SUCTION, INCLUDES LPCO
WAS00638	*	4	WASHER; FLAT, 5/16 INCH
WIR04495	*	1	WIRE; PLUG, SCROLL COMPRESSOR, 3-WIRE (BK,OR,RD), 72 IN TOTAL LENGTH
COM13577	1	1	COMPRESSOR; SCROLL, 2.83 TON, R-410A, 230V/1PH/60HZ WITH ALUMINUM MOTOR
CPT00669	2	1	CAPACITOR; DUAL, 45/7.5 MFD, 440V, ROUND, W/O RESISTOR
SCR01510	2a	3	SCREW; 10-16 AB HXW 1/2 SN
SRP00093	2b	1	STRAP;CAPACITOR
BLT00809	3	4	BOLT; CARRIAGE, 5/16-18 X 1-3/4
GKT01820	3a	4	GASKET; 3/4 OD X 7/16 ID X .06 THK
BOD00114	4	3	BODY; VALVE, BRASS, 7/16 HEX, 7/16 -20 UNF-2A
CAP00455	4a	3	CAP; HUB, 7/16-20 STRAIGHT
COR00103	4b	3	CORE; VALVE, .79 LENGTH, .206-36 UNS-1 MOD. THD
SWT03546	5	1	SWITCH; LOW PRESSURE, OPEN @ 50 PSIG, CLOSE @ 70 PSIG
SWT03544	6	1	SWITCH; HIGH PRESSURE, SPST, OPEN @ 650 PSIG, CLOSE @ 500 PSIG, BRAZED
PAN02889	7	1	PAN; DRAIN, BLACK PVC, 35.70 X 7.75
VAL11889	8	1	VALVE; FLOW CONTROL ASSEMBLY, INCLUDES TXV AND DISTRIBUTOR
VAL19941	8a	1	VALVE; HXE 3 KX - 3X4ODF
CLP00296	9	1	CLIP; TXV BULB, 7/8 INCH
GRM00103	10	1	GROMMET; SPLIT, COMPRESSOR
COL25349	11	1	COIL; INDOOR, MICROCHANNEL, 36.07 L X 20.00 H
TUB13267	12	1	TUBE; LIQUID LINE ASSEMBLY