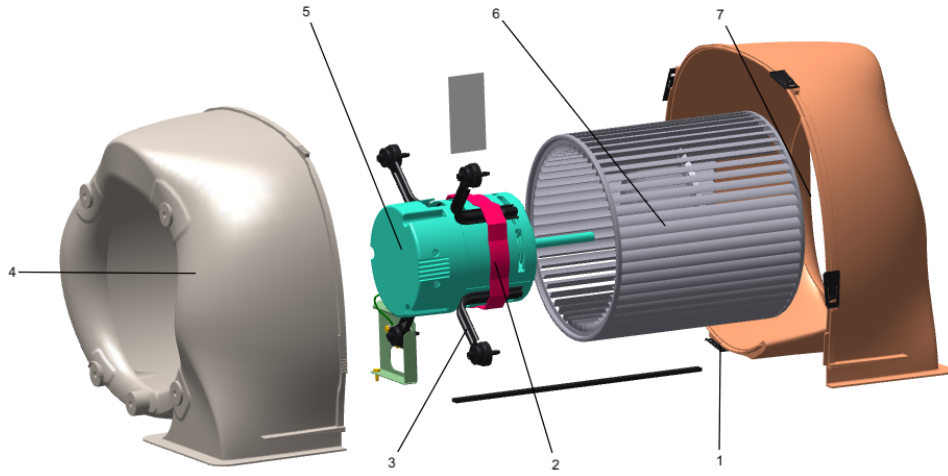


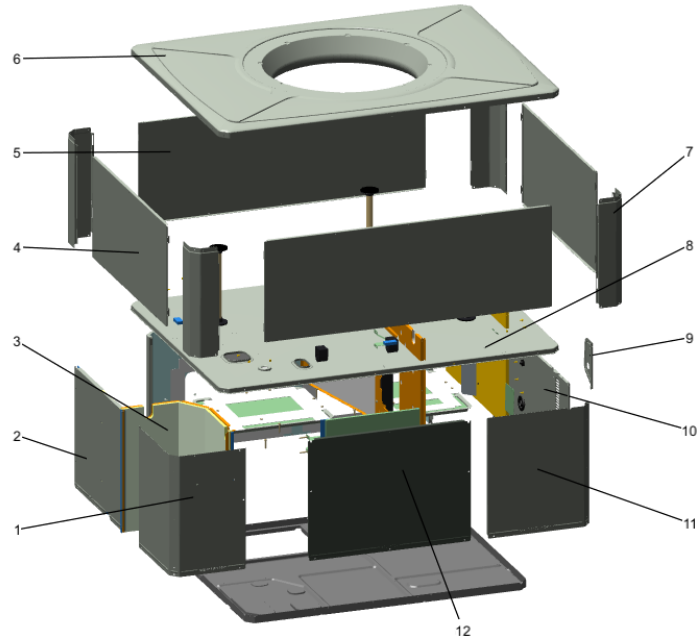
Part No.	Reference No.	Quantity	Description
0000171624~S	*		BLOWER
0000147525~S	*		CABINET
0000147524~S	*		CONTROLS
0000147523~S	*		FAN
0000147521~S	*		GENERAL ASSEMBLY
0000171625~S	*		HEAT EXCHANGER
0000147527~S	*		MODEL NUMBER DESCRIPTION
0000147522~S	*		REFRIGERATION

Part No.	Reference No.	Quantity	Description
0000037531~P	*		BLOWER PARTS LIST



Part No.	Reference No.	Quantity	Description
BLW01723	*	1	BLOWER; ASM
BRK03542	*	1	BRACKET; BLOWER RETAINER, 4.32 X 3.45
NUT01063	*	1	NUT; LOCKING NYLON
SCR00968	*	1	SCREW; 10-16 HEX WASHER, TYPE B, THREAD FORMING SCREW, 0.31 THREAD LENGTH, STEEL W/ZINC FINISH
SCR00998	*	2	SCREW; 10-16 B HXW 1/2 S
SCR01584	*	1	BOLT; 1/4-20 MA HX 1.5 S
SCR02112	*	4	SCREW; ASSEMBLY-MOTOR MOUNT
CLP01123	1	4	CLIP; CLEAT-BLOWER
BND00026	2	1	BAND; MOTOR MOUNT
BRK03396	3	4	BRACKET; ARM-MOTOR
HUS03804	4	1	HOUSING; BLOWER LEFT SIDE WITH 4 MOUNTING HOLES, MOLDED GLASS FIBER POLYESTER, COLOR: NATURAL
MOT20571	5	1	MOTOR; ASM
WHL02558	6	1	WHEEL; BLOWER, 48 BLADES, CCW, CONCAVE DISC, 10.62 X 10.68
HUS03805	7	1	HOUSING; BLOWER RIGHT SIDE WITHOUT MOUNTING HOLES, MOLDED GLASS FIBER POLYESTER, COLOR: NATURAL

Part No.	Reference No.	Quantity	Description
0000037424~P	*		CABINET ASSEMBLY



Part No.	Reference No.	Quantity	Description
BAF01248	*	1	BAFFLE; AIR, 18 IN HIGH
BAF01392	*	1	BAFFLE; AIR, 20.00 X 3.68
BRK03541	*	1	BRACKET; BLOWER SUPPORT, V-SHAPED, 3.13 X 2.75 X 1.50
BUS00616	*	1	BUSHING; 1.62 DIA
COV04901	*	2	COVER; SUPPLY AND RETURN, 15.88 X 11.88
GRM00118	*	1	GROMMET; 3/16 IN ID, NEOPRENE
GRM00129	*	2	GROMMET; SCREW
INS02869	*	1	INSULATION; INDOOR TOP COVER, 17.5 X 7.4
PAI00074	*	0	PAINT; SPRAY, SLATE GREY, FULL GLOSS(88) (SHIPPING UOM 12 OZ HAZ)
PNL26584	*	1	PANEL; BLOWER BARRIER, 41.05 X 21.15
PNL32042	*	1	PANEL; SUPPLY AND RETURN, 48.41 X 20.88
SCR00981	*	23	SCREW, 10-16 AB HXW 1/2 S
SCR01509	*	2	SCREW; 10-16 AB HXW 3/4 S N
SCR01510	*	77	SCREW; 10-16 AB HXW 1/2 SN
SCR01511	*	16	SCREW; 10-16 B HXW 1/2 S
SHD00397	*	1	SHIELD; LOUVER, TOP, 5.0 X 1.9
SHD00424	*	1	SHIELD; LOUVER, BOTTOM, 6.0 X 4.0
SUP05918	*	3	SUPPORT; OUTDOOR COIL, 3.0 DIA, WITH GASKET
SUP05919	*	3	SUPPORT; OUTDOOR COIL, 3.0 DIA, WITH GASKET
TUB12284	*	3	TUBE; SUPPORT, TOP PIPE, .75 DIA, SCHEDULE 40 GREY PVC, 14.46 INCHES
PNL21998	1	1	PANEL; COMPRESSOR ACCESS, 20.7 X 12.7 & 20.7 X 15.5
PNL22039	2	1	PANEL; INDOOR COIL ACCESS, 22.42 X 20.70
PNL28755	3	1	PANEL; COMPRESSOR BARRIER, 27.22 W X 21.15 H
PNL32039	4	2	PANEL; METAL LOUVER, 31.99 X 13.40
PNL32041	5	2	PANEL; METAL LOUVER, 39.53 X 13.40
COV03694	6	2	COVER; OUTDOOR, TOP, 48.61 X 41.08
PNL22002	7	4	PANEL; CORNER POST, 13.84 H
COV04899	8	1	COVER; TOP, INDOOR, 48.61 X 41.08
PNL22042	9	1	PANEL; GAS HEAT, 7.81 X 4.50
PNL32044	10	1	PANEL; GAS HEAT, 36.00 X 20.90
PNL22000	11	1	PANEL; CONTROL/HEAT ACCESS, 17.93 X 20.70
PNL22013	12	1	PANEL; BLOWER ACCESS, 17.63 X 20.70

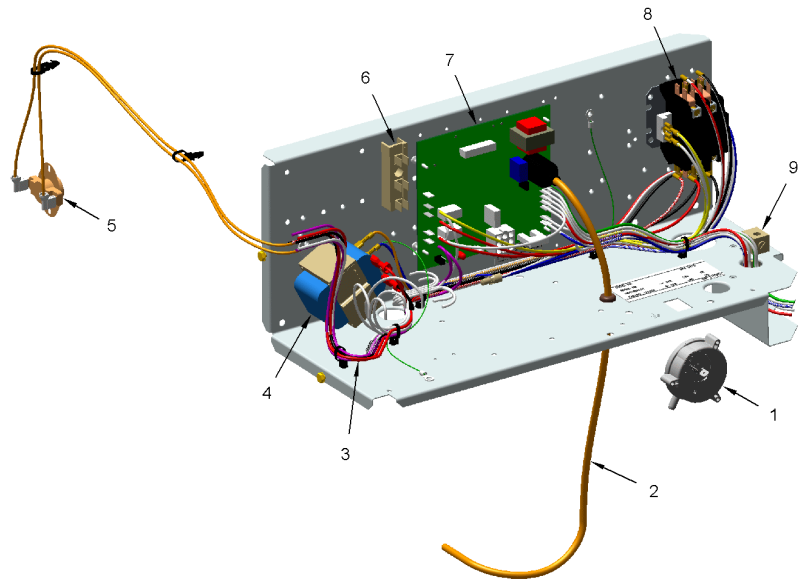
Part No.	Reference No.	Quantity	Description
0000037538~P	*		CONTROLS PARTS LIST

CONTROL BOX

75010754

REV.
A

TYPICAL ILLUSTRATION



Part No.	Reference No.	Quantity	Description
CNT07230	*	1	CONTROL; SINGLE STAGE, DIRECT SPARK IGNITION MODULE
CON00077	*	1	CONNECTOR, ELECTRIC GROUND, 14-2 AWG SOLDERLESS
CON00251	*	1	CONNECTOR; WIRE
PLU00325	*	1	PLUG; CONNECTOR, POLARIZED, 9 PIN MALE, NYLON, NATURAL COLOR
SCR00968	*	2	SCREW; 10-16 HEX WASHER, TYPE B, THREAD FORMING SCREW, 0.31 THREAD LENGTH, STEEL W/ZINC FINISH
SCR00981	*	5	SCREW, 10-16 AB HXW 1/2 S
SCR00998	*	7	SCREW; 10-16 B HXW 1/2 S
SCR01924	*	2	SCREW; 6-32 X .75, THREAD ROLLING SCREWS-ZINC PLATED, HEX WASHER
TER00312	*	8	TERMINAL; 8IN. TIE CABLE
TIE00005	*	5	TIE; WIRE, .06-1.75 DIA
TIE00008	*	8	TIE;CABLE
WIR07794C	*	5	(X19210028130) TIE; WIRE NYLON 7.78 INCH 50 LB. .184" W
CNT05641	1	1	CONTROL; AIR PRESSURE, SPST, 28VA PILOT DUTY AT 24 VAC, 125VA PILOT DUTY AT 125VAC, SNAP ACTING CONTACTS, OPERATING TEMP RANGE: -40 TO 190F
WIR12095	3	1	WIRE; HARNESS-CONTROL
TRR01898	4	1	TRANSFORMER; 50VA, 208/240V PRI, 24V SEC
CTR02994	8	1	CONTACTOR; 1 POLE + SHUNT, NO, 40 FLA AT 240V, 50/60 HZ, 40 RES AMPS, 32V COIL, 40 FLA AT 240/277/480/600V

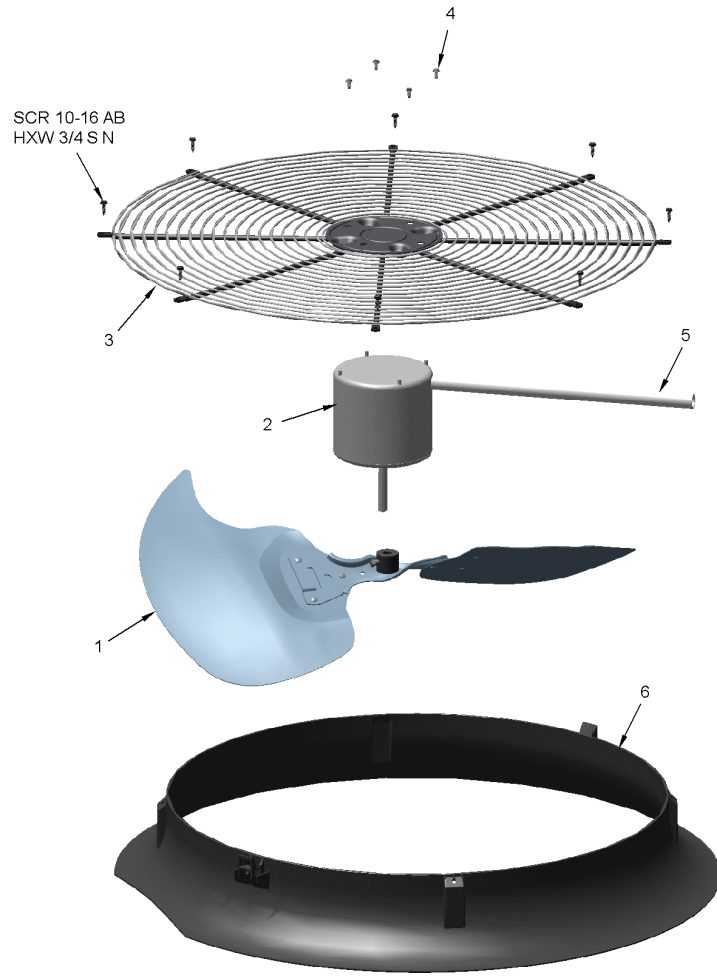
Part No.	Reference No.	Quantity	Description
0000037535~P	*		FANS PARTS LIST

FAN

75010748

REV.
A

TYPICAL ILLUSTRATION



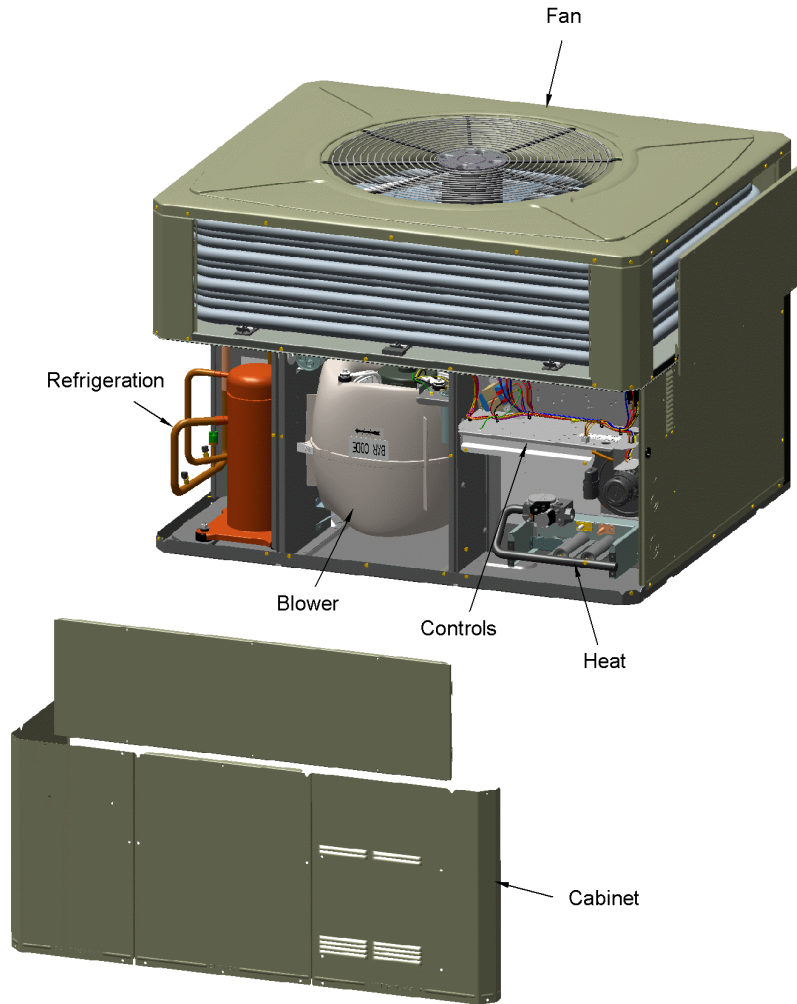
Part No.	Reference No.	Quantity	Description
FAN03995	1	1	FAN; SWEPT BLADE, 2 BLADE, ALUMINUM, 23.4 IN DIA, 32 DEGREES PITCH, .50 IN BORE, CCW, 1 SET SCREW-STEEL
MOT13832	2	1	MOTOR; OUTDOOR, 1/5 HP, 200-230/60/1, 825 RPM, TYPE PSC, CCW, SLEEVE BEARINGS, 5 MFD CPT AT 370V
GRL01529	3	1	GRILL; OUTDOOR FAN, 26.0 IN MOUNTING DIA
SCR02086	4	4	SCREW; 10-32 TR-3 HXW 3/8 S
GRD01633	6	1	GUARD; TROUGH-LEAD

Part No.	Reference No.	Quantity	Description
0000026531~P	*		GENERAL ASSEMBLY GRAPHIC

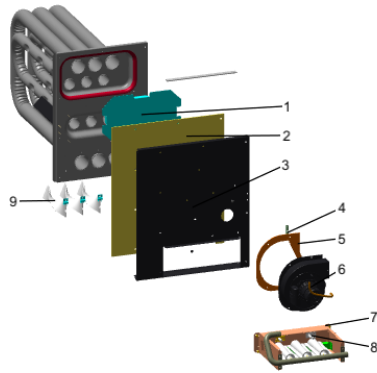
PACKAGED UNITS
Gas Electric
TYPICAL ILLUSTRATION

75010757

REV.
A



Part No.	Reference No.	Quantity	Description
0000037553~P	*		HEAT EXCHANGER PARTS LIST



Part No.	Reference No.	Quantity	Description
BNR01071	*	3	BURNER; 0.60 ID INSHOT BURNER, 0.036 THK 304 STAINLESS STEEL
BRK03603	*	3	BRACKET; TURBULATOR
HOD00519	*	1	HOOD; ASSEMBLY, FLUE
HSE01563	*	1	HOSE; PRESSURE SWITCH, 5.00 X .188 ID X .094 WALL, TRANSLUCENT SILICONE COMPOUND
IGN00135	*	1	IGNITER; ELECTRODE, 22 INCH LEAD
MFD01157	*	1	MANIFOLD; GAS
MFD01334	*	1	MANIFOLD; ASSEMBLY-GAS, INCLUDES (3) ORF01406
ORF01406	*	3	ORIFICE; GAS, .1040 DIA, # 37 DRILL, SPUD
RIV00064	*	4	RIVET; BLIND, .188 DIA X .277 LG
RTR00981	*	1	RETAINER; BURNER, 10.65 L
SCR00981	*	26	SCREW, 10-16 AB HXW 1/2 S
SCR00995	*	15	SCREW; 10-16 AB HXW 3/4 S N
SCR00998	*	3	SCREW; 10-16 B HXW 1/2 S
SCR01009	*	4	SCREW; 10-16 A HXW 3/8 S
SCR01252	*	15	SCREW; 10-16 AB HXW 3/4 S N
SCR01511	*	4	SCREW; 10-16 B HXW 1/2 S
SCR02773	*	1	SCREW; 10-16 AB HXW 3/4 SS
SWT01275	*	1	SWITCH;THERMAL LIMIT, OPEN AT 135, CLOSE AT 105 DEG. F
SWT02945	*	1	SWITCH; TEMP, 200 OPEN/CLOSE MANUAL, 25 AMP AT 240V, 125V PILOT DUTY, STAINLESS STEEL
TIE00004	*	2	TIE; WIRE
VAL09033	*	1	VALVE; GAS, 1/2-14 NPT, 24V, 50/60 HZ, "J" SERIES
EXC03343		1	EXCHANGER; ASM-GAS
SHD00398	1	1	SHIELD; HEAT, STAINLESS STEEL, 12.77 X 7.32
GKT04063	2	1	GASKET; COLLECTOR BOX, 20.96 X 14.82
BOF01930	3	1	BLOCKOFF; BARRIER-GAS HEAT, 21.16 X 18.30
RSR00357	4	1	RESTRICTOR; FLUE OUTLET, 2.20 L X 0.50 W X 0.62 H
GKT04075	5	1	GASKET; INDUCER BLOWER
BLW01371	6	1	BLOWER; INDUCER, 208-230/60/1, 3075 RPM, 1/44-1/39 HP, 2 MFD CPT AT 370 VAC, INCLUDES GKT04075
BRK04542	7	1	BRACKET; BURNER
SEN00297	8	1	SENSOR; FLAME
TRB00121	9	3	TURBULATOR; AND BRACKET ASSEMBLY

Part No.	Reference No.	Quantity	Description
0000026536~P	*		MODEL NUMBER DESCRIPTION

MODEL NUMBER DESCRIPTION
PACKAGED UNITS

75011470

REV
C

Example Model Number:
4 Y C Y 5 0 4 8 A 1 0 9 0 A A
1 - - - 5 - - - 10 - - - 15

Digit 1 – Refrigerant
4 = R-410A

Digit 2 – Type
Y = Gas Electric
W = Heat Pump
D = Dual Fuel
T = Air Conditioner

Digit 3 – Model Tier
C = Convertible
H = Horizontal (only)

Digit 4 – Model Tier
C = Entry Level
X = Upgrade
Y = Premium
Z = Leadership - (2-Stage)
A = RunTru Brand

Digit 5 – Efficiency Tier
3 = 13 SEER
4 = 14 SEER
5 = 15 SEER
6 = 16 SEER

Digits 6,7,8 – Capacity in 1000's (BTUH)
018 042
024 048
030 060
036

Digit 9 – Major Design Change

Digit 10 – Voltage & Phase
1 = 230V 1 Phase
3 = 230V 3 Phase
4 = 460V 3 Phase

Digit 11,12,13 – Gas Heat Input (MBTU/H)
000 (AC or HP) 075
040 096
064 120

Digit 14 – Minor Design Change

Digit 15 – Service Digit - Not Orderable

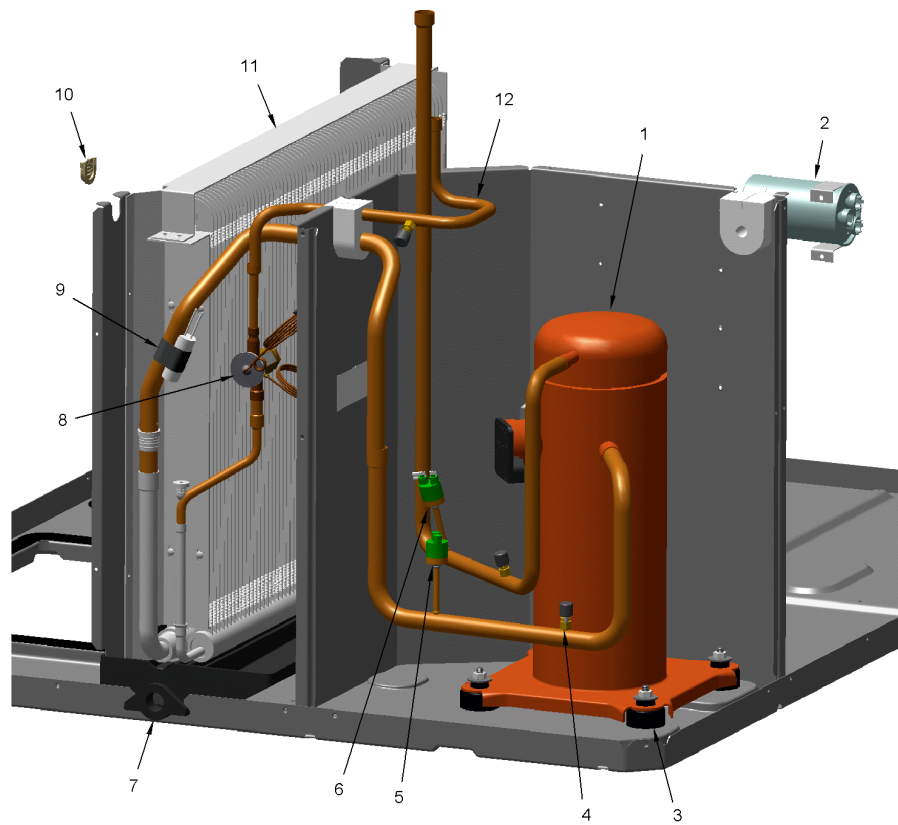
Part No.	Reference No.	Quantity	Description
0000037547~P	*		REFRIGERATION PARTS LIST

REFRIGERATION

75010759

REV.
A

TYPICAL ILLUSTRATION



Part No.	Reference No.	Quantity	Description
COL25353	*	1	COIL; INDOOR, MICROCHANNEL, 25.71 L X 20.00 H
CON00251	*	2	CONNECTOR; WIRE
GKT01820	*	4	GASKET; 3/4 OD X 7/16 ID X .06 THK
KIT08039	*	4	KIT; GROMMETS. COMPRESSOR MOUNTING. (CONSISTS OF 4), 0.44 ID X 1.63 OD NEOPRENE RUBBER-BLACK 45-55 DUROMETER
NUT00355	*	4	NUT; HEX, LOCK, 5/16IN.-18
NUT00890	*	4	NUT; PALLET, 5/16-18 UNC 2B THD.
PAN02764	*	1	PAN; DRAIN, BLACK PVC, 29.58 X 7.75
SCR01511	*	2	SCREW; 10-16 B HXW 1/2 S
TER00312	*	11	TERMINAL; 8IN. TIE CABLE
TIE00015	*	9	TIE;
TIE00029	*	11	TIE;CABLE
TUB02810	*	14	TUBE; TRANSITION
TUB11547	*	14	TUBE; TRANSITION ASSEMBLY
TUB13600	*	1	TUBE; LIQUID
TUB13910	*	1	TUBE; ASSEMBLY, SUCTION, INCLUDES LPCCO
TUB13915	*	1	TUBE; ASSEMBLY, DISCHARGE, INCLUDES HPCO
WAS00638	*	4	WASHER; FLAT, 5/16 INCH
WIR04493	*	1	WIRE; PLUG, SCROLL COMPRESSOR
FLR09706		1	DRIER; FILTER
COM11766	1	1	COMPRESSOR; SCROLL; ALLIANCE; SBA031C1CPZ; 2.5 TON; 42,500 BTUH; 208/230-60-1; R-410A; BRAZED; SUCTION 3/4; DISCHARGE 1/2; RLA 17.1
CPT00656	2	1	CAPACITOR; DUAL, 45/5 MFD, 440V, ROUND, W/O RESISTOR
SCR01510	2a	3	SCREW; 10-16 AB HXW 1/2 SN
SRP00093	2b	1	STRAP;CAPACITOR
BLT00809	3	4	BOLT; CARRIAGE, 5/16-18 X 1-3/4
GRM00103	3a	1	GROMMET; SPLIT, COMPRESSOR
BOD00114	4	3	BODY; VALVE, BRASS, 7/16 HEX, 7/16 -20 UNF-2A
CAP00455	4a	3	CAP; HUB, 7/16-20 STRAIGHT
COR00103	4b	3	CORE; VALVE, .79 LENGTH, .206-36 UNS-1 MOD. THD
SWT03546	5	1	SWITCH; LOW PRESSURE, OPEN @ 50 PSIG, CLOSE @ 70 PSIG
SWT03544	6	1	SWITCH; HIGH PRESSURE, SPST, OPEN @ 650 PSIG, CLOSE @ 500 PSIG, BRAZED
PAN02888	7	1	PAN; DRAIN, BLACK PVC, 29.58 X 7.75
VAL11888	8	1	VALVE; FLOW CONTROL ASSEMBLY, INCLUDES TXV AND DISTRIBUTOR
VAL19940	8a	1	VALVE; HXE 3 KX
CLP00223	9	1	CLIP; BULB
ISR00007	10	4	ISOLATOR; VIBRATION
COL19226	11	1	COIL; OUTDOOR, SPINE FIN
TUB13267	12	1	TUBE; LIQUID LINE ASSEMBLY