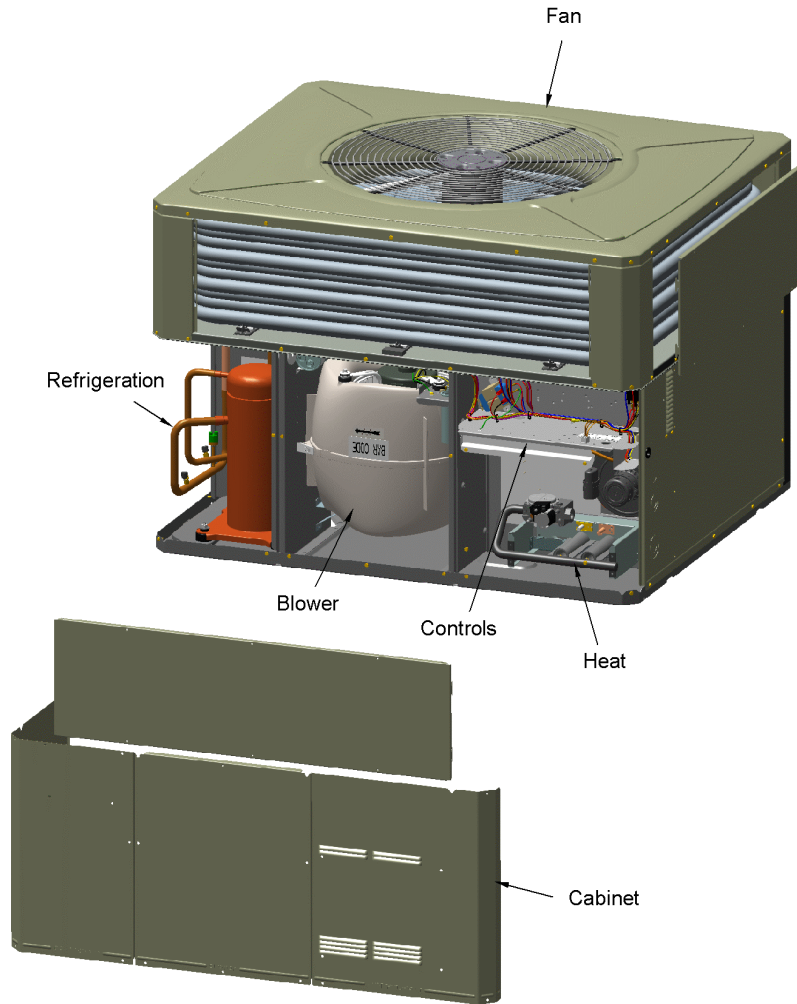


PACKAGED UNITS  
Gas Electric  
TYPICAL ILLUSTRATION

75010757

REV.  
A

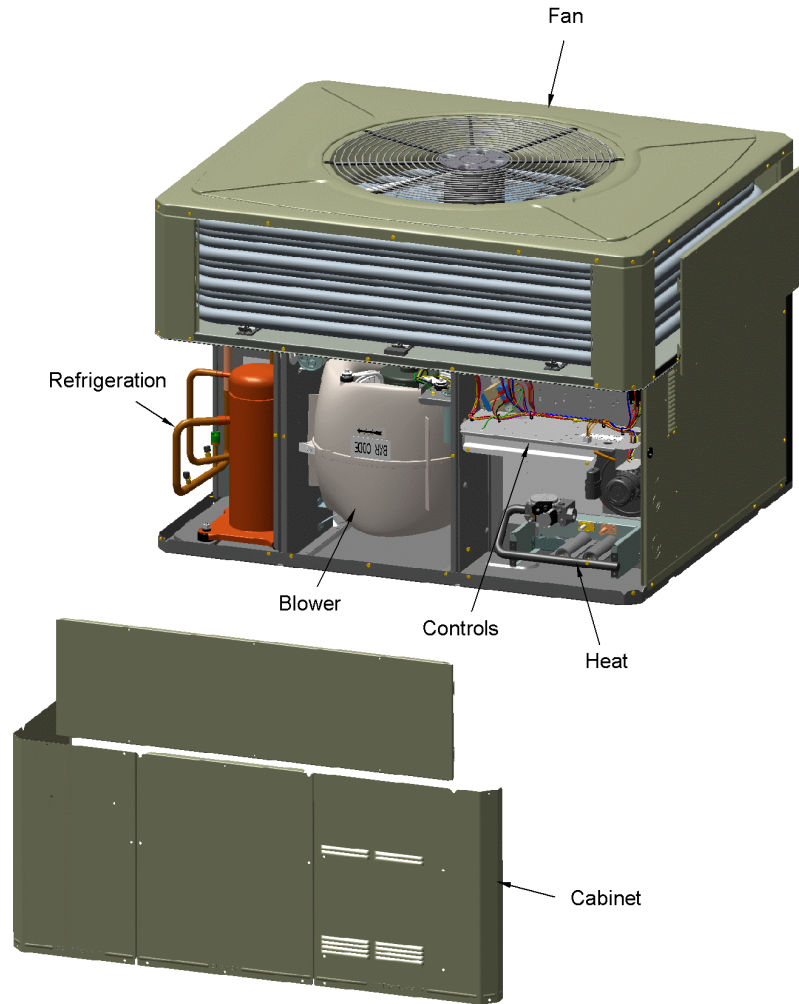


<b>Part No.</b>	<b>Reference No.</b>	<b>Quantity</b>	<b>Description</b>
75010745#4YCC4UP1~S	*		BLOWER
75010752#4YCC4UP1~S	*		CABINET - LOWER
75010703#4YCC4UP1~S	*		CABINET - UPPER
75010754#4YCC4UP1~S	*		CONTROLS
75010673#4YCC4UP1~S	*		FAN
75010755#4YCC4UP1~S	*		HEAT
75008692#4YCC4UP1~S	*		MODEL NUMBER DESCRIPTION
NGRAPHIC#4YCC4UP1~S	*		OPTIONAL EQUIPMENT
75010751#4YCC4UP1~S	*		OUTDOOR COIL
75010757_4YCC4UP1_109186~P	*		PACKAGED GAS/ELECTRIC PARTS LIST
75010759#4YCC4UP1~S	*		REFRIGERATION

PACKAGED UNITS  
Gas Electric  
TYPICAL ILLUSTRATION

75010757

REV.  
A

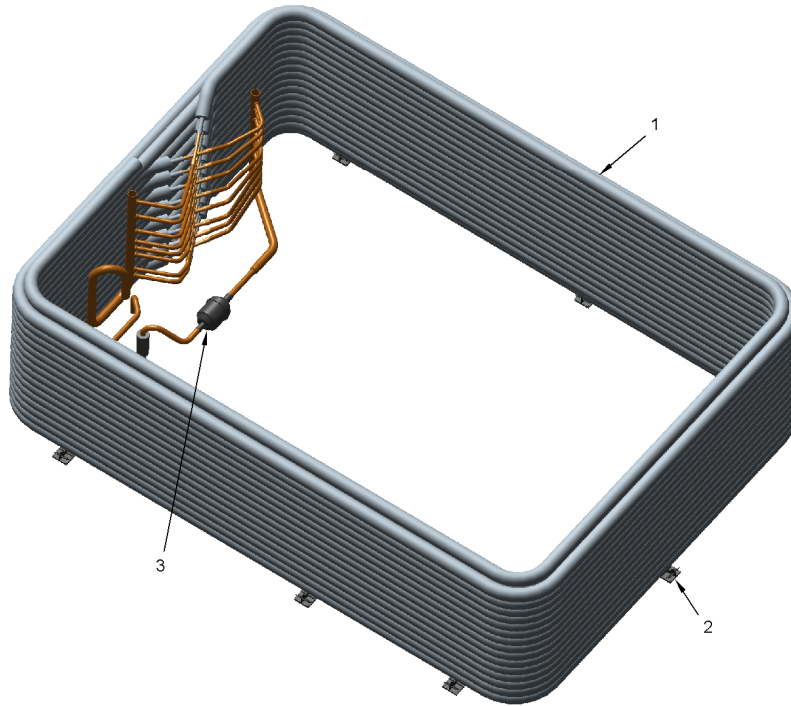


OUTDOOR COIL

75010751

REV.  
A

TYPICAL ILLUSTRATION



OUTDOOR COIL

Parts List Number :75010757#4YCC4UP1

Model Number :4YCC4036A1070AB

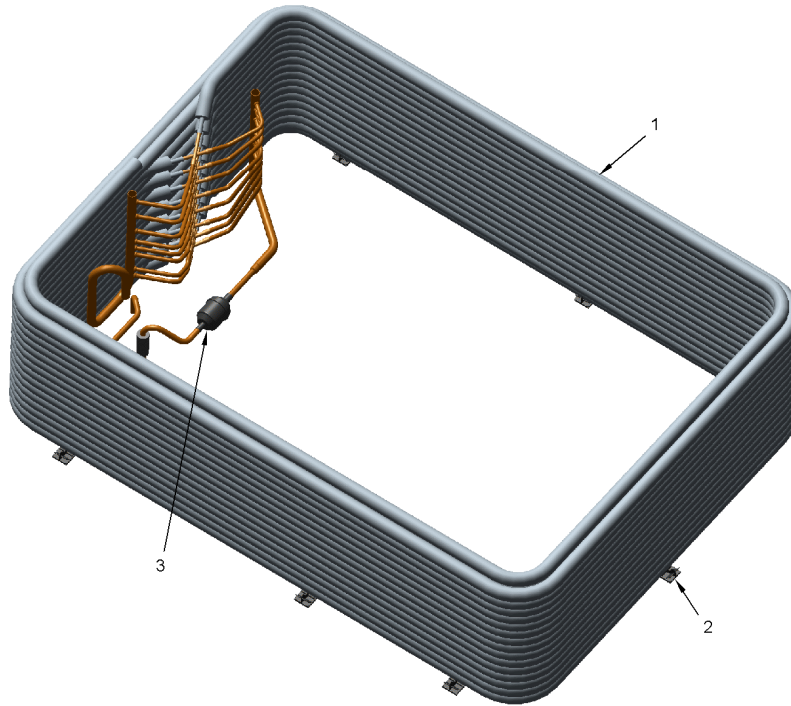
Part No.	Reference No.	Quantity	Description
75010751_4YCC4UP1_109216~P	*		OUTDOOR COIL PARTS LIST

OUTDOOR COIL

75010751

REV.  
A

TYPICAL ILLUSTRATION



OUTDOOR COIL PARTS LIST

Parts List Number :75010757#4YCC4UP1

Model Number :4YCC4036A1070AB

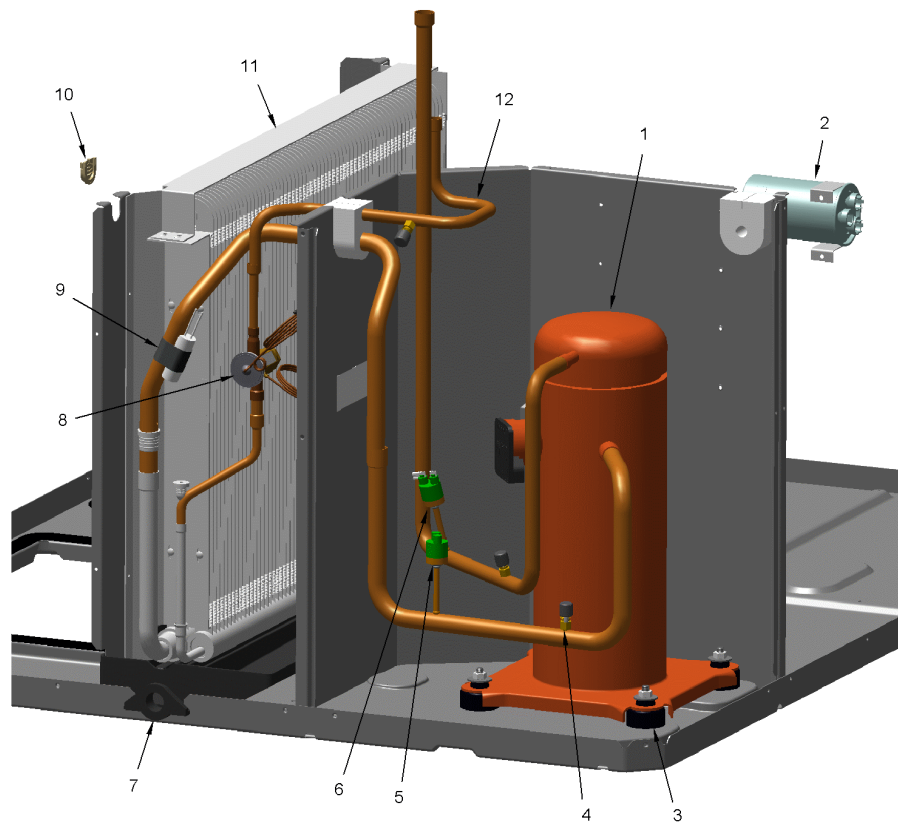
Part No.	Reference No.	Quantity	Description
COL19226	1	1	COIL; OUTDOOR, SPINE FIN
SPC00391	2	8	SPACER; OUTDOOR COIL, 2.50 X 1.31. INCLUDES GASKET.
DHY01456	3	1	DRIER; LIQUID LINE; SERVICE FIRST; 5 CU. IN.; DCL054/3S, 1/2 ODF INLET X 3/8 ODF OUTLET; 5.4 TON CAPACITY; APPROVED FOR MINERAL OIL AND POE OIL REFRIG

REFRIGERATION

75010759

REV.  
A

TYPICAL ILLUSTRATION



Parts List Number :75010757#4YCC4UP1

Model Number :4YCC4036A1070AB

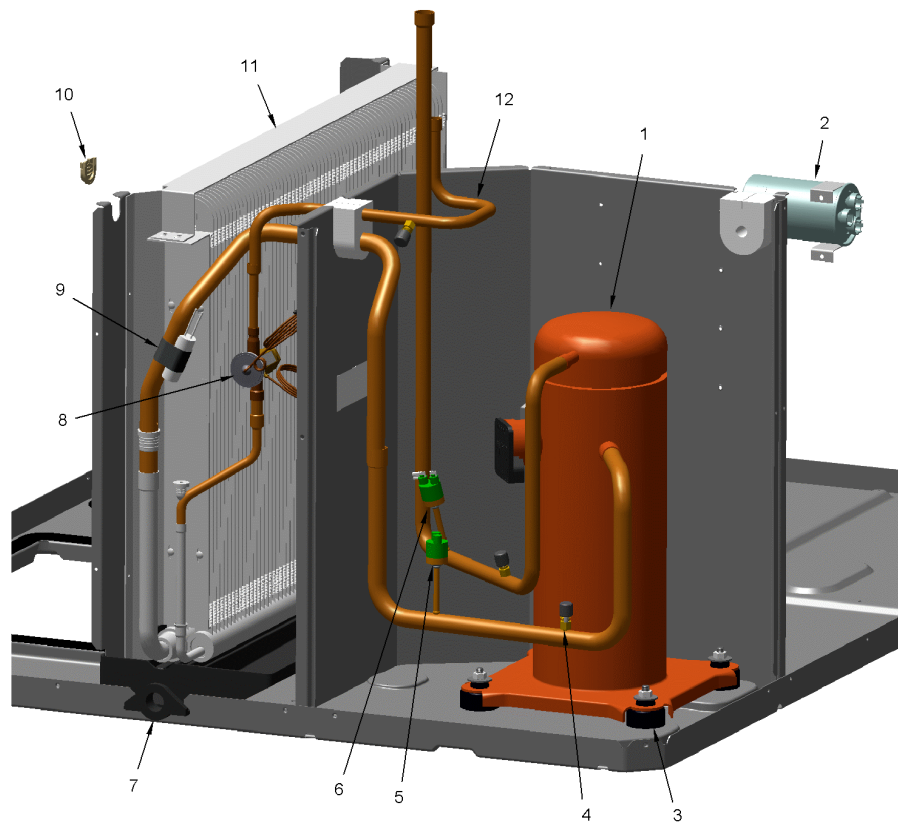
Part No.	Reference No.	Quantity	Description
75010759_4YCC4UP1_109252~P	*		REFRIGERATION PARTS LIST

REFRIGERATION

75010759

REV.  
A

TYPICAL ILLUSTRATION



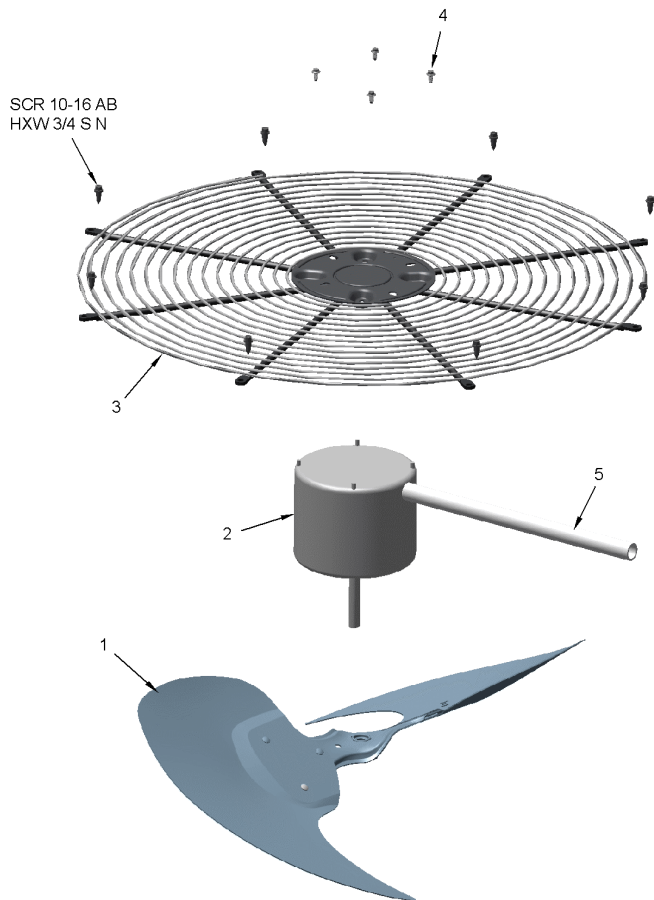
Part No.	Reference No.	Quantity	Description
TUB13910	*	1	TUBE; ASSEMBLY, SUCTION, INCLUDES LPCO
TUB13915	*	1	TUBE; ASSEMBLY, DISCHARGE, INCLUDES HPCO
WIR04493	*	1	WIRE; PLUG, SCROLL COMPRESSOR
COM11766	1	1	COMPRESSOR; SCROLL; ALLIANCE; SBA031C1CPZ; 2.5 TON; 42,500 BTUH; 208/230-60-1; R-410A; BRAZED; SUCTION 3/4; DISCHARGE 1/2; RLA 17.1
CPT00656	2	1	CAPACITOR; DUAL, 45/5 MFD, 440V, ROUND, W/O RESISTOR
SCR01510	2	2	SCREW; 10-16 AB HXW 1/2 SN
SRP00093	2	1	STRAP;CAPACITOR
BLT00809	3	4	BOLT; CARRIAGE, 5/16-18 X 1-3/4
GKT01820	3	4	GASKET; 3/4 OD X 7/16 ID X .06 THK
ISR00007	3	4	ISOLATOR; VIBRATION
NUT00355	3	4	NUT; HEX, LOCK, 5/16IN.-18
NUT00890	3	4	NUT; PALLET, 5/16-18 UNC 2B THD.
WAS00638	3	4	WASHER; FLAT, 5/16 INCH
BOD00114	4	3	BODY; VALVE, BRASS, 7/16 HEX, 7/16 -20 UNF-2A
CAP00455	4	3	CAP; HUB, 7/16-20 STRAIGHT
COR00103	4	3	CORE; VALVE, .79 LENGTH, .206-36 UNS-1 MOD. THD
SWT03546	5	1	SWITCH; LOW PRESSURE, OPEN @ 50 PSIG, CLOSE @ 70 PSIG
SWT03544	6	1	SWITCH; HIGH PRESSURE, SPST, OPEN @ 650 PSIG, CLOSE @ 500 PSIG, BRAZED
PAN02888	7	1	PAN; DRAIN, BLACK PVC, 29.58 X 7.75
VAL11888	8	1	VALVE; FLOW CONTROL ASSEMBLY, INCLUDES TXV AND DISTRIBUTOR
VAL11900	8	1	VALVE; EXPANSION, 3 TON, 3/8" INLET X 1/2" OUTLET, 200/89 PSIG, R410A
CLP00223	9	1	CLIP; BULB
GRM00103	10	1	GROMMET; SPLIT, COMPRESSOR
COL25353	11	1	COIL; INDOOR, MICROCHANNEL, 25.71 L X 20.00 H
TUB13267	12	1	TUBE; LIQUID LINE ASSEMBLY

FAN

75010673

REV  
A

TYPICAL ILLUSTRATION



Parts List Number :75010757#4YCC4UP1

Model Number :4YCC4036A1070AB

Part No.	Reference No.	Quantity	Description
75010673_4YCC4UP1_109192~P	*		FAN PARTS LIST

FAN

75010673

REV  
A

TYPICAL ILLUSTRATION



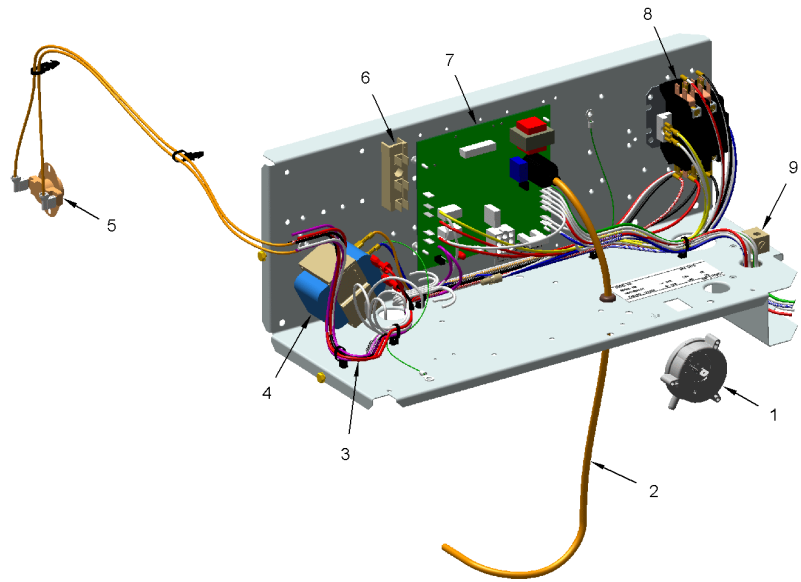
Part No.	Reference No.	Quantity	Description
FAN03995	1	1	FAN; SWEPT BLADE, 2 BLADE, ALUMINUM, 23.4 IN DIA, 32 DEGREES PITCH, .50 IN BORE, CCW, 1 SET SCREW-STEEL
MOT13832	2	1	MOTOR; OUTDOOR, 1/5 HP, 200-230/60/1, 825 RPM, TYPE PSC, CCW, SLEEVE BEARINGS, 5 MFD CPT AT 370V
GRL01529	3	1	GRILL; OUTDOOR FAN, 26.0 IN MOUNTING DIA
SCR02086	4	4	SCREW; 10-32 TR-3 HXW 3/8 S
GRD01440	5	1	GUARD; TROUGH-LEAD

CONTROL BOX

75010754

REV.  
A

TYPICAL ILLUSTRATION



CONTROLS

Parts List Number :75010757#4YCC4UP1

Model Number :4YCC4036A1070AB

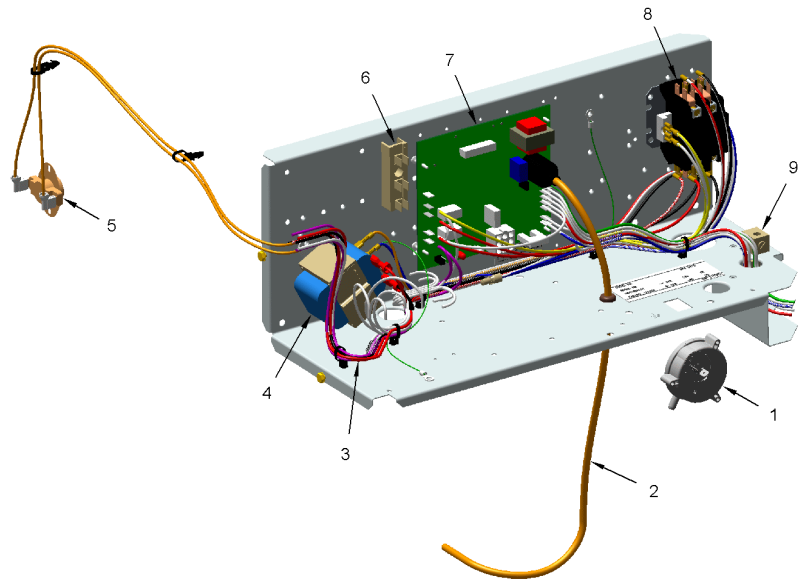
Part No.	Reference No.	Quantity	Description
75010754_4YCC4UP1_319008-P	*		CONTROLS PARTS LIST

CONTROL BOX

75010754

REV.  
A

TYPICAL ILLUSTRATION



Part No.	Reference No.	Quantity	Description
CNT05640	1	1	CONTROL; AIR PRESSURE, SPST, 28VA PILOT DUTY AT 24 VAC, 125VA PILOT DUTY AT 125VAC, SNAP ACTING CONTACTS, OPERATING TEMP RANGE: -40 TO 190F
WIR02151	2	1	WIRE; HIGH VOLTAGE, 47 IN LENGTH
WIR07748	3	1	WIRE; HARNESS, CONTROLS
TRR01898	4	1	TRANSFORMER; 50VA, 208/240V PRI, 24V SEC
THT02540	5	1	THERMOSTAT; LIMIT SWITCH, OPEN AT 120F, CLOSE AT 100F
BRD00385	6	1	BOARD; TERMINAL, FAN, 24V, 3 POLE
CNT07230	7	1	CONTROL; SINGLE STAGE, DIRECT SPARK IGNITION MODULE
CTR02994	8	1	CONTACTOR; 1 POLE + SHUNT, NO, 40 FLA AT 240V, 50/60 HZ, 40 RES AMPS, 32V COIL, 40 FLA AT 240/277/480/600V
LUG00014	9	1	LUG, GROUND

BLOWER

75010745

REV.  
A

TYPICAL ILLUSTRATION



Part No.	Reference No.	Quantity	Description
75010745_4YCC4UP1_109207~P	*		BLOWER PARTS LIST

BLOWER

75010745

REV  
A

TYPICAL ILLUSTRATION



Part No.	Reference No.	Quantity	Description
BLW01353	*	1	BLOWER; ASM
MOT16977	1	1	MOTOR; ASSEMBLY, 1/2 HP, 208-230/60/1, 48 FRAME, BALL BEARING
SCR02112	2	4	SCREW; ASSEMBLY-MOTOR MOUNT
BRK03542	3	1	BRACKET; BLOWER RETAINER, 4.32 X 3.45
SCR00998	4	2	SCREW; 10-16 B HXW 1/2 S
SCR00968	5	1	SCREW; 10-16 HEX WASHER, TYPE B, THREAD FORMING SCREW, 0.31 THREAD LENGTH, STEEL W/ZINC FINISH
NUT00487	6	1	NUT; STEEL HEX, 1/4-20
SCR01584	6	1	BOLT; 1/4-20 MA HX 1.5 S
WAS00646	6	1	WASHER; STEEL SPRING LOCK, 1/4 INCH
BND00026	7	1	BAND; MOTOR MOUNT
BRK03396	8	4	BRACKET; ARM-MOTOR
WHL02558	9	1	WHEEL; BLOWER, 48 BLADES, CCW, CONCAVE DISC, 10.62 X 10.68
HUS03805	10	1	HOUSING; BLOWER RIGHT SIDE WITHOUT MOUNTING HOLES, MOLDED GLASS FIBER POLYESTER, COLOR: NATURAL
CLP01088	11	4	CLIP; CLEAT-BLOWER
HUS03804	12	1	HOUSING; BLOWER LEFT SIDE WITH 4 MOUNTING HOLES, MOLDED GLASS FIBER POLYESTER, COLOR: NATURAL

CABINET  
LOWER - INDOOR  
TYPICAL ILLUSTRATION

75010752

REV  
A



Parts List Number :75010757#4YCC4UP1

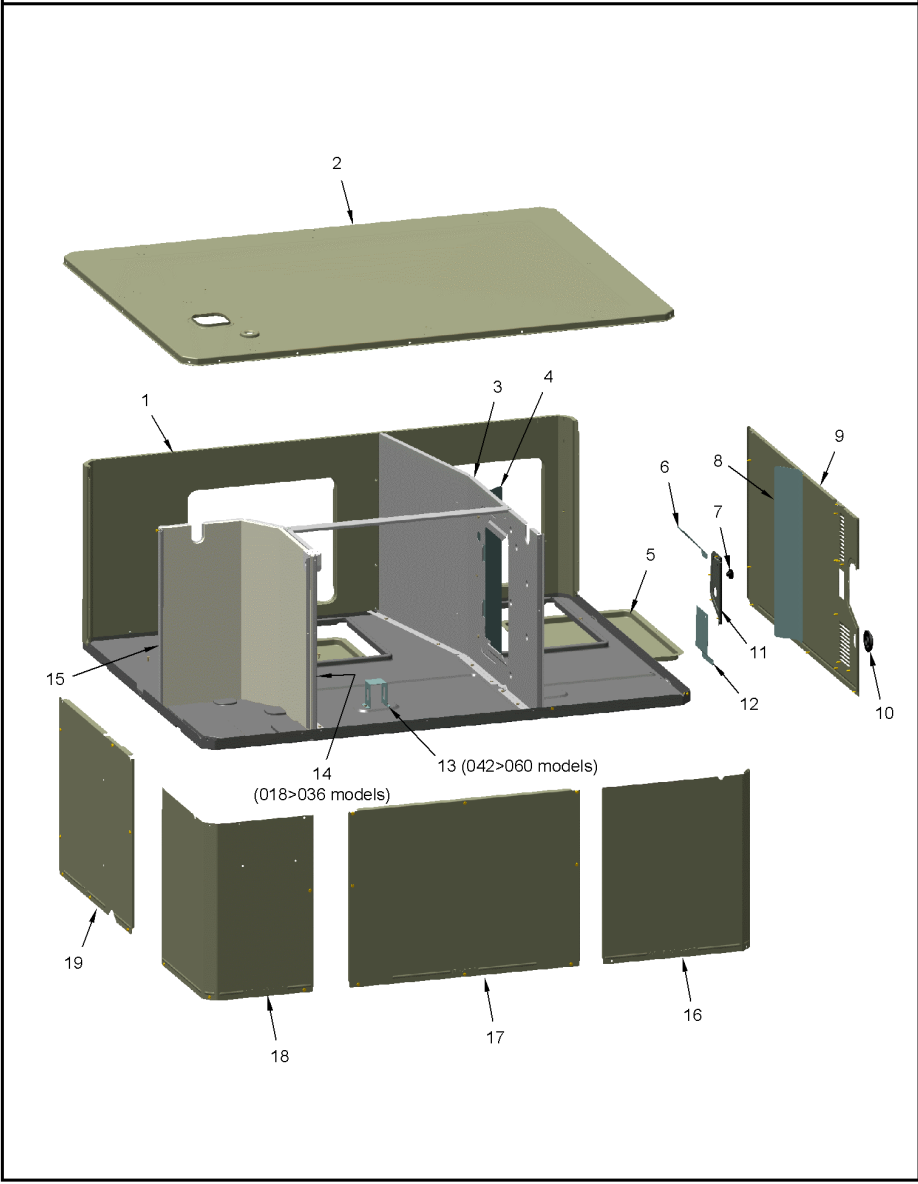
Model Number :4YCC4036A1070AB

Part No.	Reference No.	Quantity	Description
75010752_4YCC4UP1_109219-P	*		CABINET - LOWER PARTS LIST

CABINET  
LOWER - INDOOR  
TYPICAL ILLUSTRATION

75010752

REV  
A

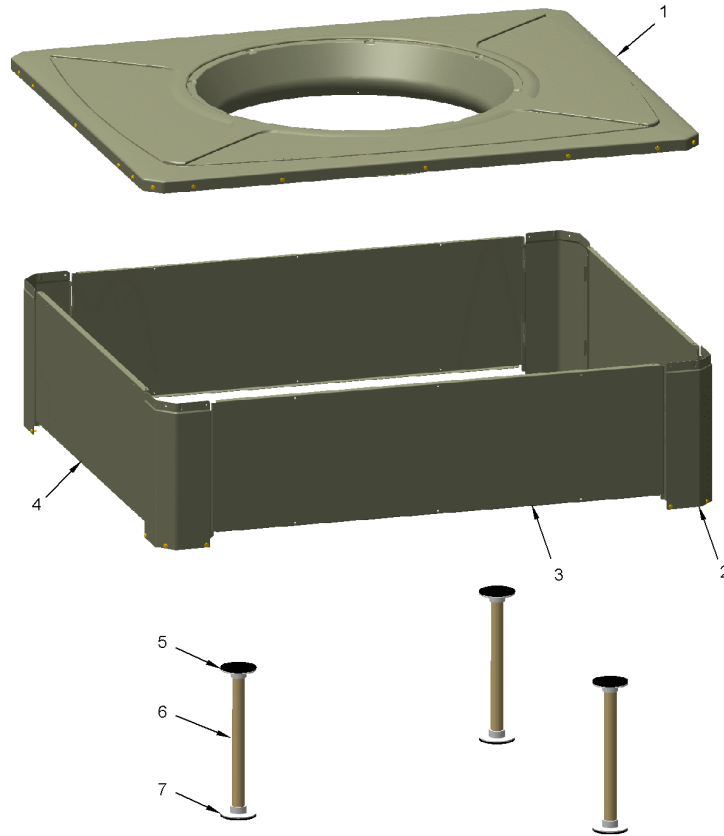


Part No.	Reference No.	Quantity	Description
PAI00074	*	1	PAINT; SPRAY, SLATE GREY, FULL GLOSS(88) (SHIPPING UOM 12 OZ HAZ)
PLT04112	*	1	PLATE; APPEARANCE NAMEPLATE, TRANE, 7.5 X 1.8
PNL32042	1	1	PANEL; SUPPLY AND RETURN, 48.41 X 20.88
COV04899	2	1	COVER; TOP, INDOOR, 48.61 X 41.08
PNL26584	3	1	PANEL; BLOWER BARRIER, 41.05 X 21.15
BAF01248	4	1	BAFFLE; AIR, 18 IN HIGH
COV04901	5	2	COVER; SUPPLY AND RETURN, 15.88 X 11.88
SHD00397	6	1	SHIELD; LOUVER, TOP, 5.0 X 1.9
GRM00118	7	1	GROMMET; 3/16 IN ID, NEOPRENE
BAF01392	8	1	BAFFLE; AIR, 20.00 X 3.68
GRM00129	8	2	GROMMET; SCREW
PNL32044	9	1	PANEL; GAS HEAT, 36.00 X 20.90
BUS00616	10	1	BUSHING; 1.62 DIA
PNL22042	11	1	PANEL; GAS HEAT, 7.81 X 4.50
SCR01511	11	4	SCREW; 10-16 B HXW 1/2 S
SHD00424	12	1	SHIELD; LOUVER, BOTTOM, 6.0 X 4.0
BRK03541	14	1	BRACKET; BLOWER SUPPORT, V-SHAPED, 3.13 X 2.75 X 1.50
PNL28755	15	1	PANEL; COMPRESSOR BARRIER, 27.22 W X 21.15 H
PNL22000	16	1	PANEL; CONTROL/HEAT ACCESS, 17.93 X 20.70
PNL22013	17	1	PANEL; BLOWER ACCESS, 17.63 X 20.70
PNL21998	18	1	PANEL; COMPRESSOR ACCESS, 20.7 X 12.7 & 20.7 X 15.5
PNL22039	19	1	PANEL; INDOOR COIL ACCESS, 22.42 X 20.70

CABINET  
UPPER - OUTDOOR  
TYPICAL ILLUSTRATION

75010703

REV.  
A



Parts List Number :75010757#4YCC4UP1

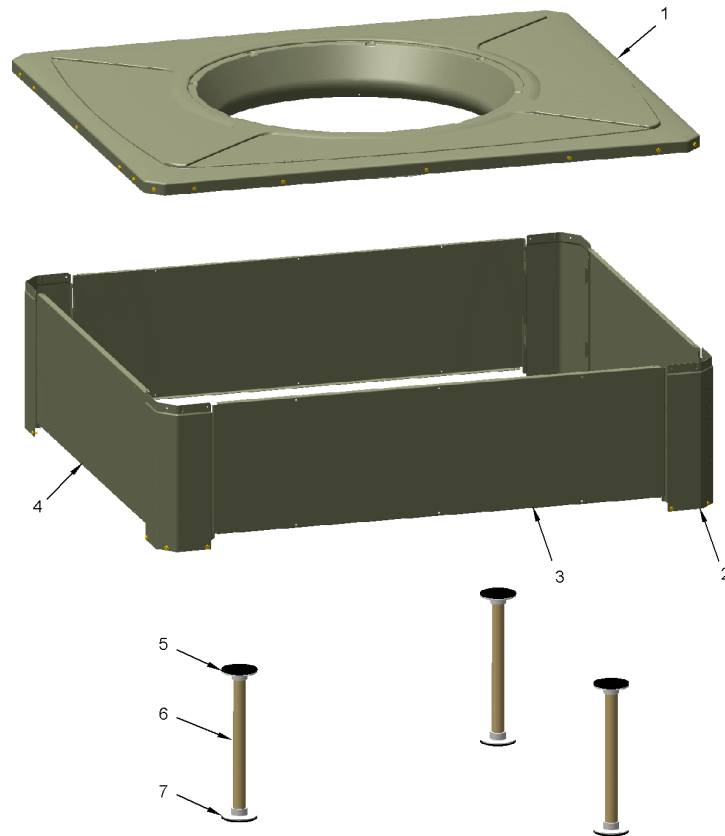
Model Number :4YCC4036A1070AB

Part No.	Reference No.	Quantity	Description
75010703_4YCC4UP1_109197-P	*		CABINET - UPPER PARTS LIST

CABINET  
UPPER - OUTDOOR  
TYPICAL ILLUSTRATION

75010703

REV.  
A



Parts List Number :75010757#4YCC4UP1

Model Number :4YCC4036A1070AB

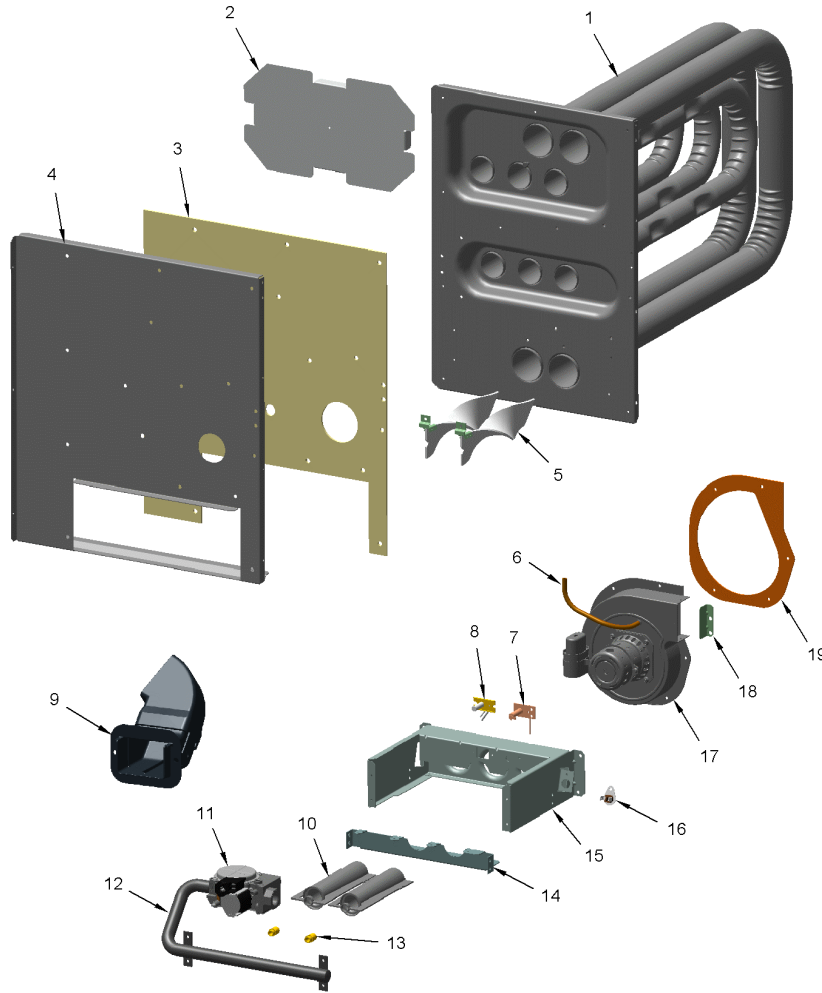
<b>Part No.</b>	<b>Reference No.</b>	<b>Quantity</b>	<b>Description</b>
SCR01510	*	24	SCREW; 10-16 AB HXW 1/2 SN
COV03694	1	1	COVER; OUTDOOR, TOP, 48.61 X 41.08
PNL22002	2	4	PANEL; CORNER POST, 13.84 H
PNL32041	3	2	PANEL; METAL LOUVER, 39.53 X 13.40
PNL32039	4	2	PANEL; METAL LOUVER, 31.99 X 13.40
SUP05919	5	3	SUPPORT; OUTDOOR COIL, 3.0 DIA, WITH GASKET
TUB12284	6	3	TUBE; SUPPORT, TOP PIPE, .75 DIA, SCHEDULE 40 GREY PVC, 14.46 INCHES
SUP05918	7	3	SUPPORT; OUTDOOR COIL, 3.0 DIA, WITH GASKET

HEAT

75010755

REV  
A

TYPICAL ILLUSTRATION



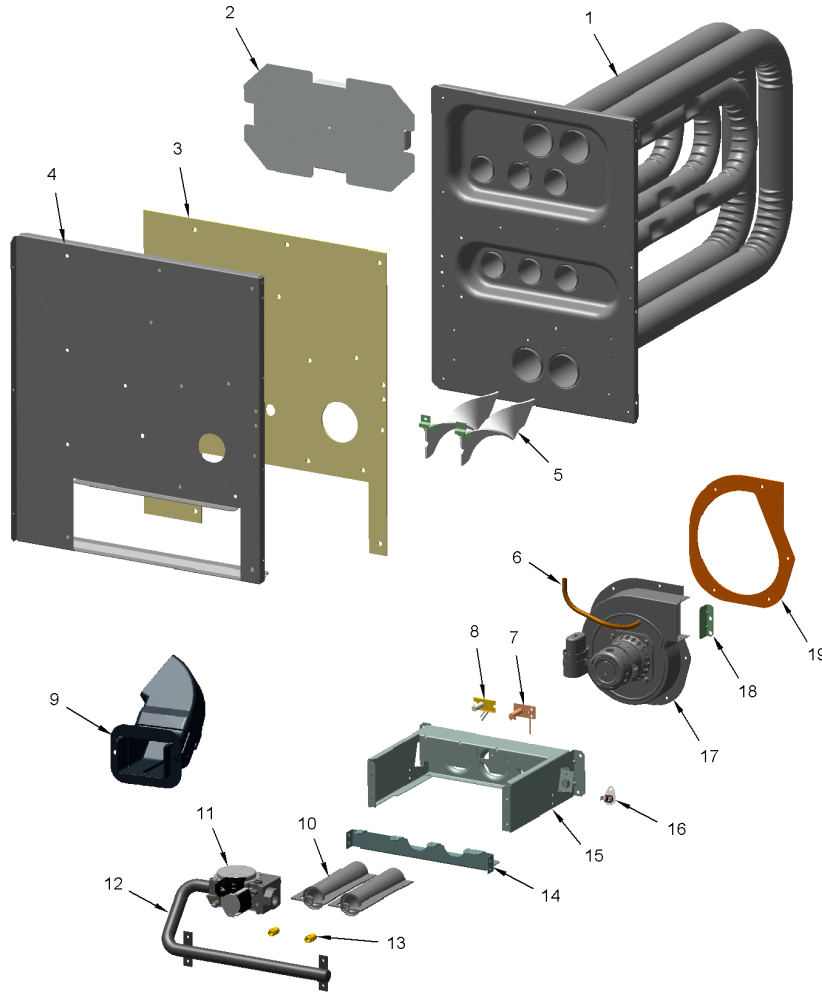
Part No.	Reference No.	Quantity	Description
75010755_4YCC4UP1_109237~P	*		HEAT PARTS LIST

HEAT

75010755

REV  
A

TYPICAL ILLUSTRATION



Part No.	Reference No.	Quantity	Description
EXC02602	1	1	EXCHANGER; HEAT
SHD00398	2	1	SHIELD; HEAT, STAINLESS STEEL, 12.77 X 7.32
GKT04063	3	1	GASKET; COLLECTOR BOX, 20.96 X 14.82
BOF01930	4	1	BLOCKOFF; BARRIER-GAS HEAT, 21.16 X 18.30
TRB00121	5a	2	TURBULATOR; AND BRACKET ASSEMBLY
BRK03603	5b	2	BRACKET; TURBULATOR
SCR00998	5c	2	SCREW; 10-16 B HXW 1/2 S
HSE01563	6	1	HOSE; PRESSURE SWITCH, 5.00 X .188 ID X .094 WALL, TRANSLUCENT SILICONE COMPOUND
SEN00297	7	1	SENSOR; FLAME
IGN00135	8	1	IGNITER; ELECTRODE, 22 INCH LEAD
HOD00519	9	1	HOOD; ASSEMBLY, FLUE
BNR01071	10	2	BURNER; 0.60 ID INSHOT BURNER, 0.036 THK 304 STAINLESS STEEL
VAL09033	11	1	VALVE; GAS, 1/2-14 NPT, 24V, 50/60 HZ, "J" SERIES
MFD01335	12	1	MANIFOLD; ASSEMBLY-GAS, INCLUDES (2) ORF01334
ORF01334	13	2	ORIFICE; SPUD, #33, .113 DIA GREEN
RTR00982	14	1	RETAINER; BURNER, 10.65 L
BRK04541	15	1	BRACKET; BURNER
SWT02945	16	1	SWITCH; TEMP, 200 OPEN/CLOSE MANUAL, 25 AMP AT 240V, 125V PILOT DUTY, STAINLESS STEEL
BLW01370	17	1	BLOWER; INDUCER, 208-230/60/1, 3290 RPM, 1/44-1/39 HP, 2 MFD CPT AT 370 VAC, INCLUDES GKT04075
RSR00215	18	1	RESTRICTOR; FLUE OUTLET
GKT04075	19	1	GASKET; INDUCER BLOWER



Part No.	Reference No.	Quantity	Description
75008692_4YCC4UP1_109189~P	*		MODEL NUMBER DESCRIPTION PARTS LIST



OPTIONAL EQUIPMENT

Parts List Number :75010757#4YCC4UP1

Model Number :4YCC4036A1070AB

Part No.	Reference No.	Quantity	Description
NGRAPHIC_4YCC4UP1_109272~ P	*		OPTIONAL EQUIPMENT PARTS LIST

NO GRAPHIC AVAILABLE

75013702

REV  
A

**NO  
GRAPHIC  
AVAILABLE**

Part No.	Reference No.	Quantity	Description
BAYACCDOR1A	*	1	KIT; ACCESS DOOR, 1-1/2 TO 3 TON MODELS (BAYACCDOR1AA)
BAYADAP050A	*	1	KIT; CURB ADAPTER (BAYADAP050AA)
BAYADAP051A	*	1	KIT; CURB ADAPTER (BAYADAP051AA)
BAYCOVR112A	*	1	KIT; 12 INCH DUCT SHROUD COVERS HORIZONTAL (BAYCOVR112AA)
BAYCOVR118A	*	1	KIT; 18 INCH DUCT SHROUD COVERS HORIZONTAL (BAYCOVR118AA)
BAYCURB050A	*	1	KIT; FULL PERIMETER ROOF MOUNTING CURB (BAYCURB050AA)
BAYDMPR101A	*	1	KIT; OUTSIDE AIR, 2 POS DAMPER (BAYDMPR101AA)
BAYECON101A	*	1	ECONOMIZER; DOWN DISCHARGE, AND RAIN HOOD (BAYECON101AA)
BAYECON200A	*	1	ECONOMIZER; HORIZONTAL (BAYECON200AA)
BAYENTH001A	*	1	KIT; ENTHALPY CONTROL (BAYENTH001AB)
BAYEXMK001A	*	1	KIT; EXTREME CONDITION MOUNTING KIT, USED WITH BAYCURB
BAYEXMK002B	*	1	KIT; EXTREME CONDITION MOUNTING KIT, USED WITH BAYUTIL
BAYEXMK003A	*	1	KIT; EXTREME CONDITION MOUNTING KIT, SLAB MOUNTING
BAYFLTR101C	*	1	FILTER; FRAME, USE ONE 18 X 25 FILTER - NOT INCLUDED
BAYLIFT002B	*	1	KIT; LIFTING LUGS-BAYLIFT002B (CTN = 6 PIECES)
BAYLOAM105A	*	1	KIT; LOW AMBIENT COOLING, HEAD PRESSURE CONTROL (BAYLOAM105AA)
BAYLPKT102A	*	1	KIT; LP CONVERSION (BAYLPKT102AA)
BAYOSAH001A	*	1	KIT; OUTSIDE AIR, MANUAL DAMPER (BAYOSAH001AA)
BAYQSTK301A	*	1	KIT; QUICK START (BAYQSTK301AA)
BAYSQRD001A	*	1	KIT; SQUARE/ROUND DUCT ADAPTER (BAYSQRD001AB)
BAYUV101A	*	1	25 WATT UV LIGHT KIT FOR SMALL PACKAGED UNITS
KIT15325	*	1	KIT; SQUARE/ROUND DUCT ADAPTER (BAYUTIL101BA)
KIT15403	*	1	KIT; ECONOMIZER, HINGED FILTER ACCESS DOOR AND FILTER FRAME (BAYECONCOMB101A)
KIT15752	*	1	KIT; SUMP HEATER, 208/230V, 40W, BELLY BAND STYLE (BAYCCHT302), 74 IN LENGTH, 5.5 INCH DIA
THT00839	*	1	THERMOSTAT; REMOTE POTENTIOMETER, 60-90 DEG F (BAYSTAT023AA)
TMR00140	*	1	TIMER; ANTISHORT CYCLE (BAYASCT001)