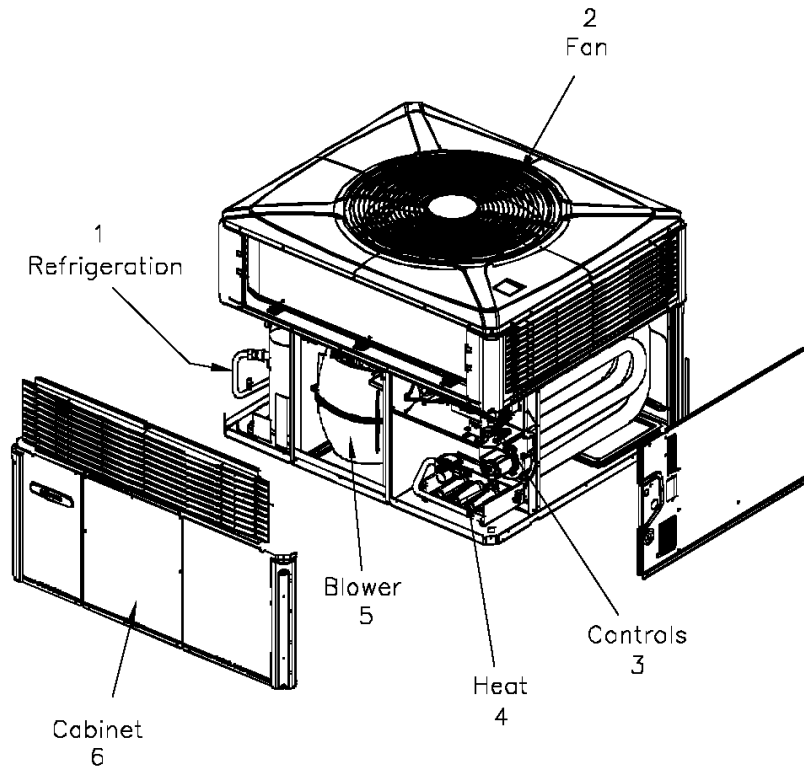


General Assembly

75008387

REV
A

Typical illustration. Unit may not appear exactly as shown.



Part No.	Reference No.	Quantity	Description
75008387_4YCC3UP1_147040~P	*		4YCC3UP1 PARTS LIST
75008351#4YCC3UP1~S	*		BLOWER
75008397#4YCC3UP1~S	*		CABINET
75009042#4YCC3UP1~S	*		CONTROLS
75005599#4YCC3UP1~S	*		FAN
75008400#4YCC3UP1~S	*		HEAT
75008692#4YCC3UP1~S	*		MODEL NOMENCLATURE
NGRAPHIC#4YCC3UP1~S	*		OPTIONAL FIELD INSTALLED ACCESSORIES
75008392#4YCC3UP1~S	*		REFRIGERATION

General Assembly

75008387

REV
A

Typical illustration. Unit may not appear exactly as shown.

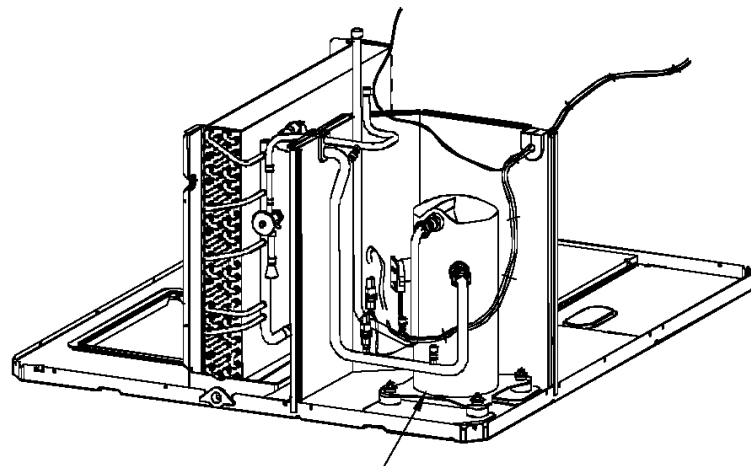
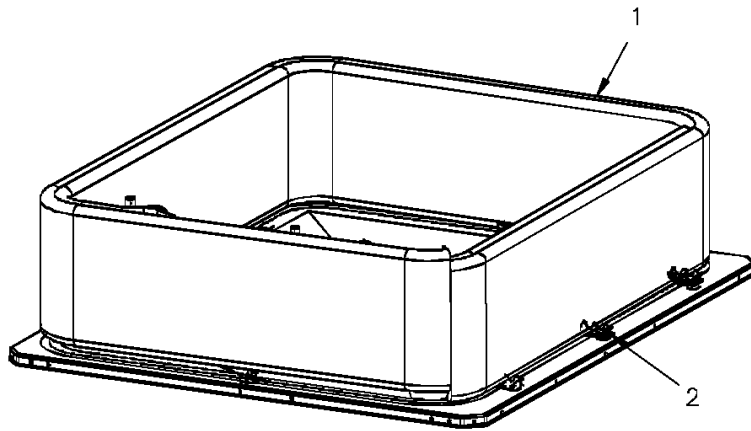


Refrigeration

75008392

REV
A

Typical illustration. Unit may not appear exactly as shown.



3

Enlarged View

Parts List Number :75008387#4YCC3UP1

Model Number :4YCC3036A1064BA

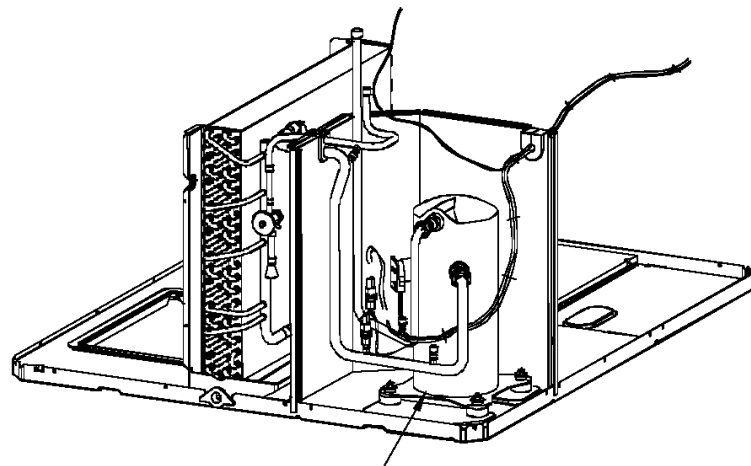
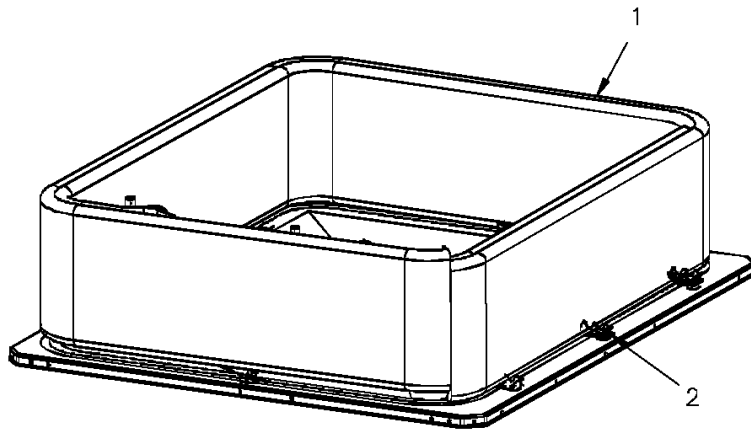
Part No.	Reference No.	Quantity	Description
75009907#4YCC3UP1~S	*		ENLARGED VIEW
75008392_4YCC3UP1_147047~P	*		REFRIGERATION PARTS LIST

Refrigeration

75008392

REV
A

Typical illustration. Unit may not appear exactly as shown.



3

Enlarged View

REFRIGERATION PARTS LIST

Parts List Number :75008387#4YCC3UP1

Model Number :4YCC3036A1064BA

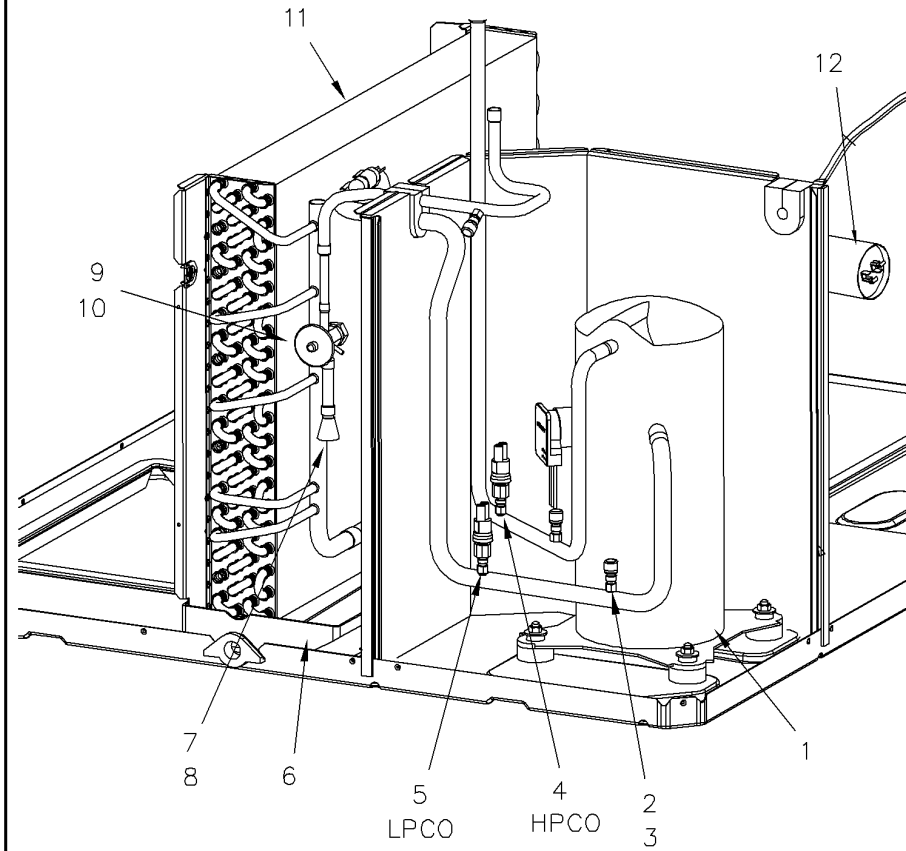
Part No.	Reference No.	Quantity	Description
DHY01456	*	1	DRIER; LIQUID LINE; SERVICE FIRST; 5 CU. IN.; DCL054/3S, 1/2 ODF INLET X 3/8 ODF OUTLET; 5.4 TON CAPACITY; APPROVED FOR MINERAL OIL AND POE OIL REFRIG
COL18513	1	1	COIL; OUTDOOR, SPINE FIN
SPC00391	2	8	SPACER; OUTDOOR COIL, 2.50 X 1.31. INCLUDES GASKET.

Refrigeration

75009907

REV
A

Typical illustration. Unit may not appear exactly as shown.



Parts List Number :75008387#4YCC3UP1

Model Number :4YCC3036A1064BA

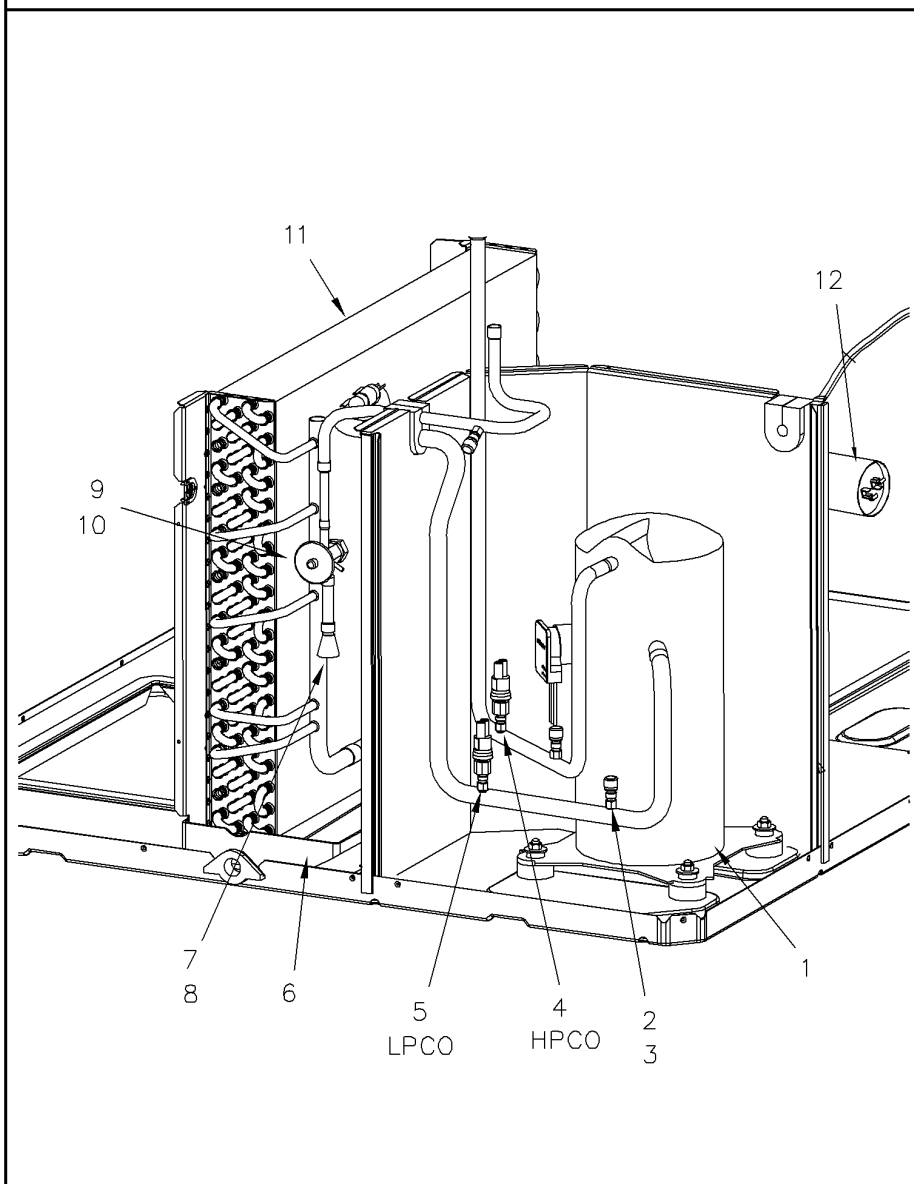
Part No.	Reference No.	Quantity	Description
75009907_4YCC3UP1_263822~P	*		ENLARGED VIEW PARTS LIST

Refrigeration

75009907

REV
A

Typical illustration. Unit may not appear exactly as shown.



Parts List Number :75008387#4YCC3UP1

Model Number :4YCC3036A1064BA

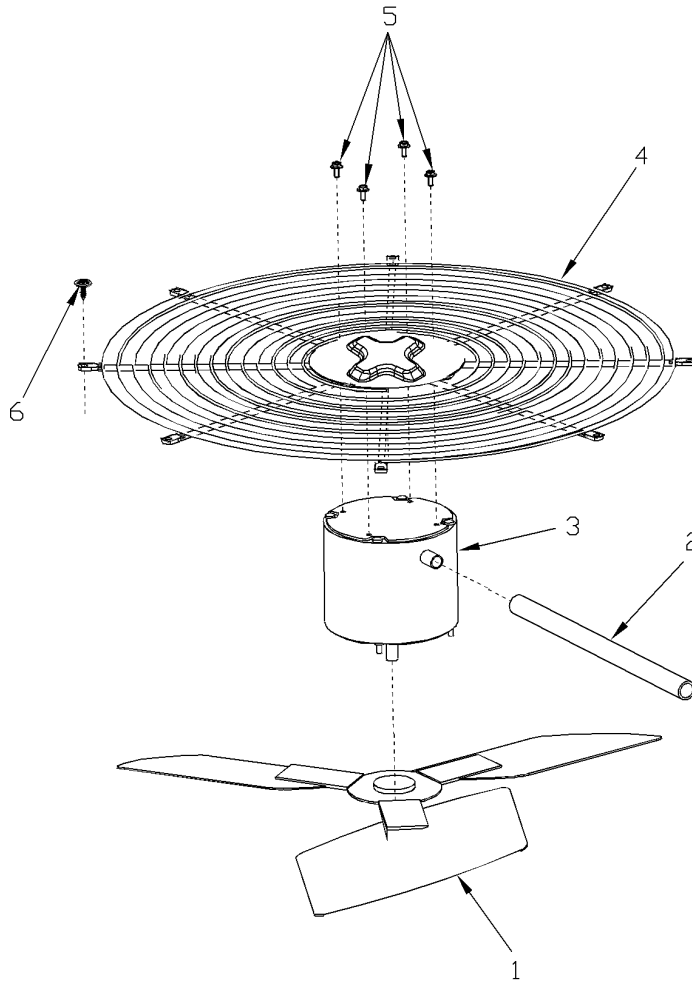
Part No.	Reference No.	Quantity	Description
BLT00809	*	4	BOLT; CARRIAGE, 5/16-18 X 1-3/4
BOD00114	*	3	BODY; VALVE, BRASS, 7/16 HEX, 7/16 -20 UNF-2A
ISR00007	*	4	ISOLATOR; VIBRATION
NUT00355	*	4	NUT; HEX, LOCK, 5/16IN.-18
NUT00890	*	4	NUT; PALLET, 5/16-18 UNC 2B THD.
WAS00638	*	4	WASHER; FLAT, 5/16 INCH
WIR04493	*	1	WIRE; PLUG, SCROLL COMPRESSOR
COM10032	1	1	COMPRESSOR; SCROLL, SXA031C1BPZ, 208-230/60/1, 2.6 TON, RED
COR00103	2	3	CORE; VALVE, .79 LENGTH, .206-36 UNS-1 MOD. THD
CAP00455	3	3	CAP; HUB, 7/16-20 STRAIGHT
SWT03543	4	1	SWITCH; HIGH PRESSURE, SPST, OPEN @ 650 PSIG, CLOSE @ 500 PSIG, BRAZED
SWT03546	5	1	SWITCH; LOW PRESSURE, OPEN @ 50 PSIG, CLOSE @ 70 PSIG
PAN02888	6	1	PAN; DRAIN, BLACK PVC, 29.58 X 7.75
TUB11685	7	1	TUBE; ASSEMBLY, INDOOR DISTRIBUTOR
DST00895	8	1	DISTRIBUTOR; 5 OUTLETS, 19 ODS, .50 ODM INLET, BRASS
TUB11605	9	1	TUBE; ASSEMBLY, INDOOR FLOW CONTROL, R410A
VAL08716	10	1	VALVE; EXPANSION W/ SWEAT FITTINGS, 3 TON, 3/8 IN INLET X 1/2 IN OUTLET, 91/87 PSIG, R410A
COL13355	11	1	COIL; INDOOR, FLAT FIN, 4 ROW
CPT00656	12	1	CAPACITOR; DUAL, 45/5 MFD, 440V, ROUND, W/O RESISTOR

FAN

75005599

REV
A

Typical Illustration. Unit may not appear exactly as shown.



Parts List Number :75008387#4YCC3UP1

Model Number :4YCC3036A1064BA

Part No.	Reference No.	Quantity	Description
75005599_4YCC3UP1_189242~P	*		FAN PARTS LIST

FAN

75005599

REV
A

Typical Illustration. Unit may not appear exactly as shown.



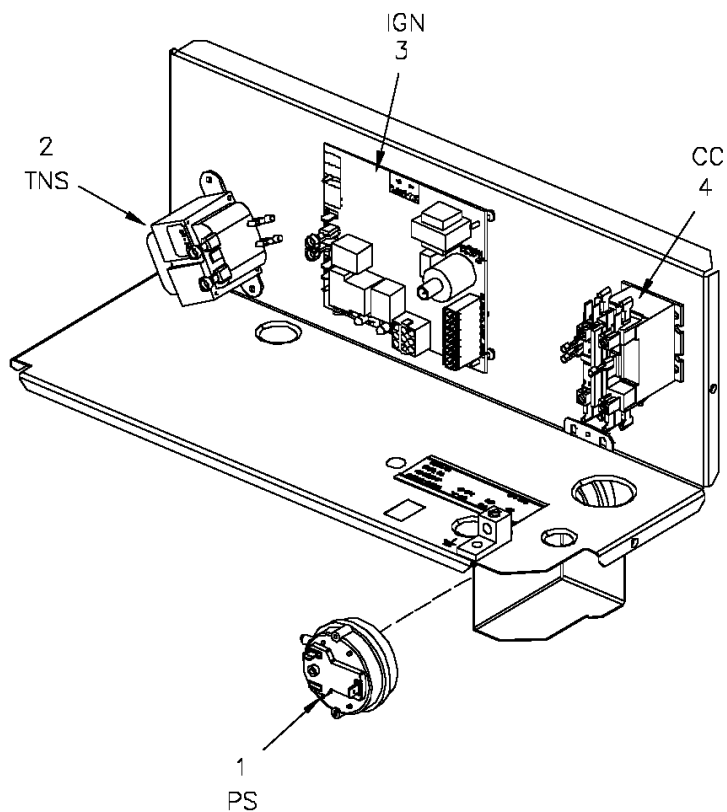
Part No.	Reference No.	Quantity	Description
FAN04003	1	1	FAN, 3 BLADE, ALUMINUM, 23" DIA, 26 DEGREES PITCH, .50" BORE, CCW, 1 SET SCREW-STEEL, SPIDER .057 THK, FINISH/PAINT
GRD01633	2	1	GUARD; TROUGH-LEAD
MOT12400	3	1	MOTOR; OUTDOOR, 1/5 HP, 200-230/60/1, 825 RPM, TYPE PSC, 48 FRAME,CCW, SLEEVE BEARINGS, 5 MFD CPT AT 370V
GRL01529	4	1	GRILL; OUTDOOR FAN, 26.0 IN MOUNTING DIA
SCR02086	5	4	SCREW; 10-32 TR-3 HXW 3/8 S

Controls

75009042

REV
A

Typical illustration. Unit may not appear exactly as shown.



LEGEND	
CC	Compressor Motor Coil
IGN	Ignition Control Module
PS	Pressure Switch
TNS	Transformer

Parts List Number :75008387#4YCC3UP1

Model Number :4YCC3036A1064BA

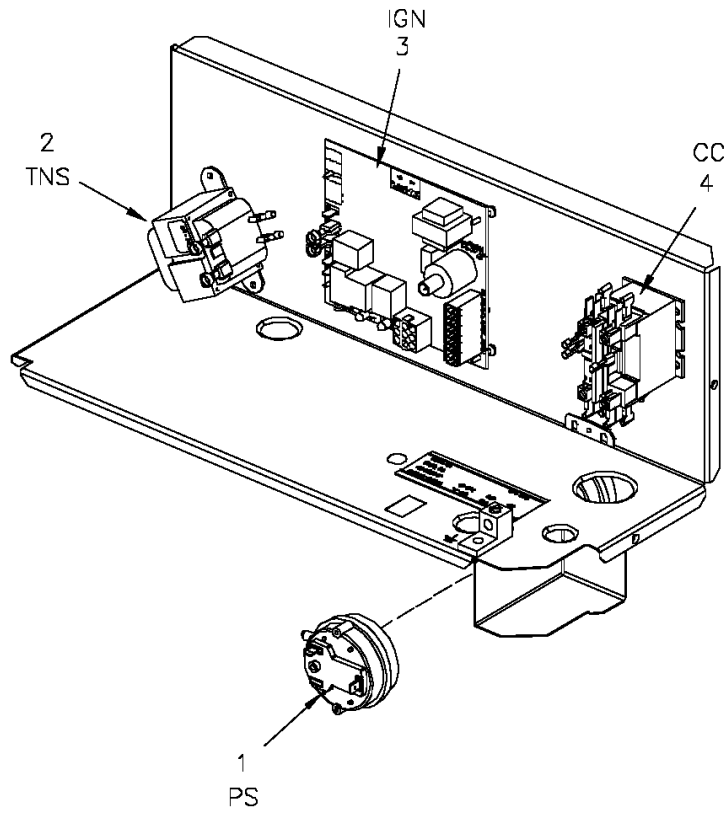
Part No.	Reference No.	Quantity	Description
75009042_4YCC3UP1_189249-P	*		CONTROLS PARTS LIST

Controls

75009042

REV
A

Typical illustration. Unit may not appear exactly as shown.



LEGEND	
CC	Compressor Motor Coil
IGN	Ignition Control Module
PS	Pressure Switch
TNS	Transformer

CONTROLS PARTS LIST

Parts List Number :75008387#4YCC3UP1

Model Number :4YCC3036A1064BA

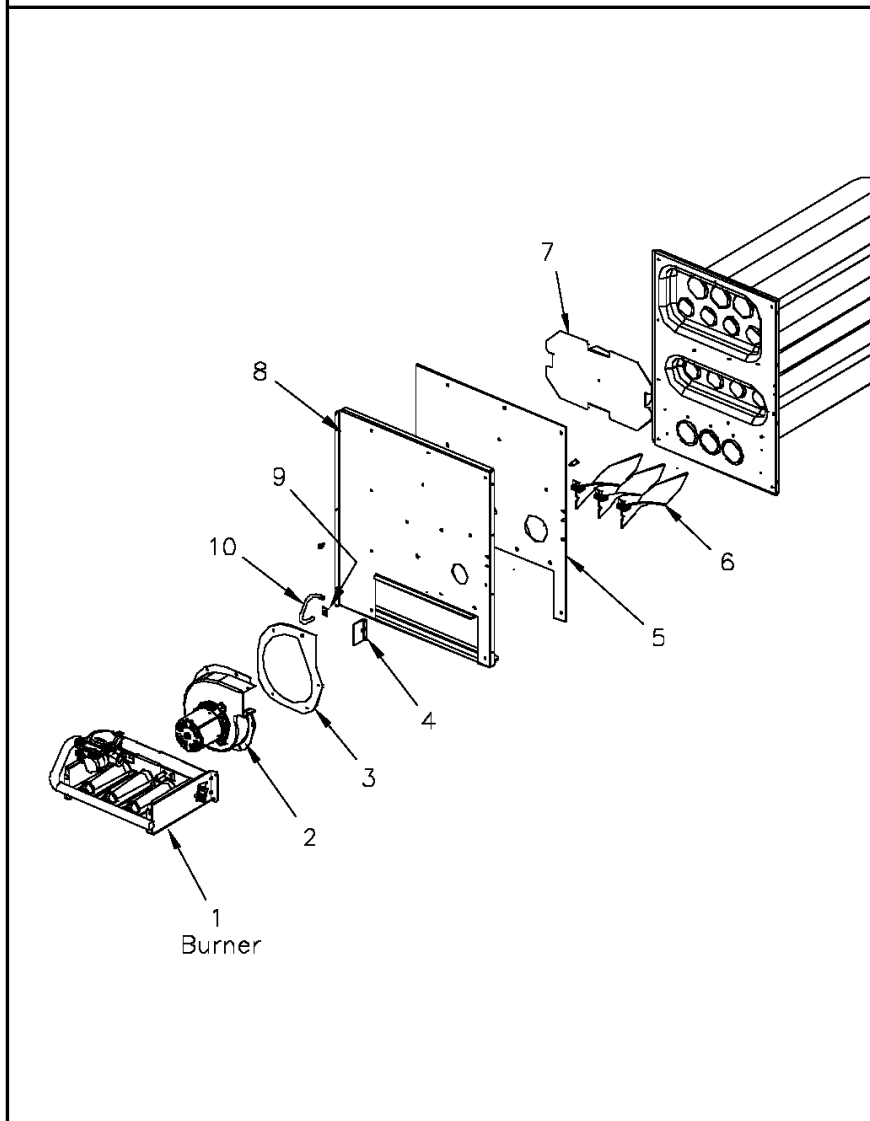
Part No.	Reference No.	Quantity	Description
LUG00014	*	1	LUG, GROUND
WIR04547	*	1	WIRE; HARNESS, CONTROL. INCLUDES PLU00325 AND CON00251
CNT05640	1	1	CONTROL; AIR PRESSURE, SPST, 28VA PILOT DUTY AT 24 VAC, 125VA PILOT DUTY AT 125VAC, SNAP ACTING CONTACTS, OPERATING TEMP RANGE: -40 TO 190F
TRR01898	2	1	TRANSFORMER; 50VA, 208/240V PRI, 24V SEC
CNT05133	3	1	CONTROL; SINGLE STAGE, DIRECT SPARK IGNITION MODULE
CTR01333	4	1	CONTACTOR; 2 POLE, NO, 40 FLA AT 240V, 50/60 HZ, 50 RES AMPS, 24V COIL, 40 FLA AT 277/480/600V

Heat

75008400

REV
A

Typical illustration. Unit may not appear exactly as shown.



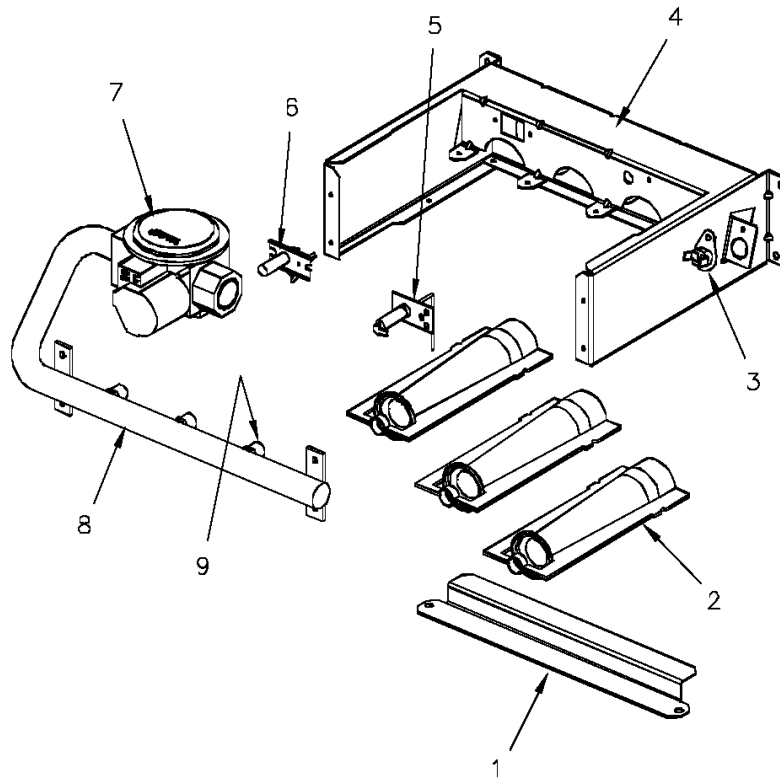
Part No.	Reference No.	Quantity	Description
75008401#4YCC3UP1~S	*		BURNER
75008400_4YCC3UP1_314461~P	*		HEAT PARTS LIST

Burner

75008401

REV
A

Typical illustration. Unit may not appear exactly as shown.



Parts List Number :75008387#4YCC3UP1

Model Number :4YCC3036A1064BA

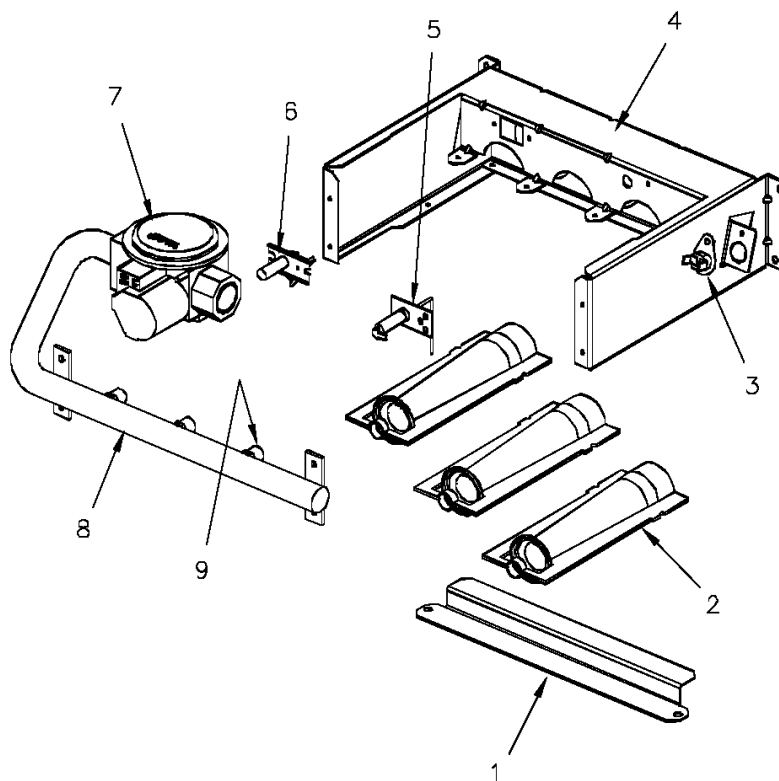
Part No.	Reference No.	Quantity	Description
75008401_4YCC3UP1_248064-P	*		BURNER PARTS LIST

Burner

75008401

REV
A

Typical illustration. Unit may not appear exactly as shown.



Parts List Number :75008387#4YCC3UP1

Model Number :4YCC3036A1064BA

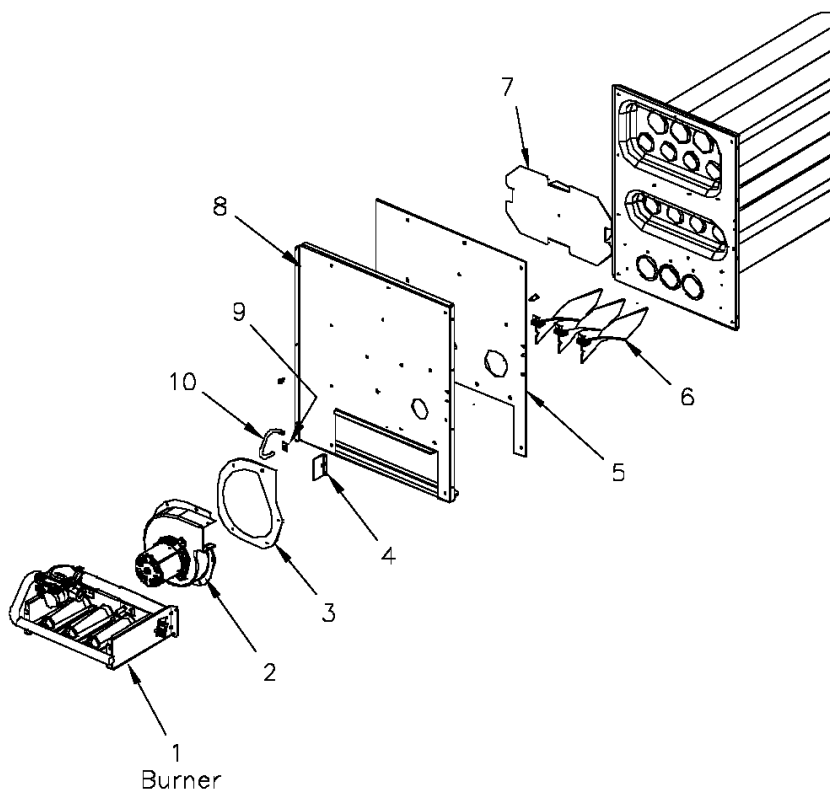
Part No.	Reference No.	Quantity	Description
RTR00831	1	1	RETAINER; BURNER, 10.53 L
BNR01071	2	2	BURNER; 0.60 ID INSHOT BURNER, 0.036 THK 304 STAINLESS STEEL
SWT02945	3	1	SWITCH; TEMP, 200 OPEN/CLOSE MANUAL, 25 AMP AT 240V, 125V PILOT DUTY, STAINLESS STEEL
BRK03605	4	1	BRACKET; BURNER
SEN00297	5	1	SENSOR; FLAME
IGN00135	6	1	IGNITER; ELECTRODE, 22 INCH LEAD
VAL09033	7	1	VALVE; GAS, 1/2-14 NPT, 24V, 50/60 HZ, "J" SERIES
MFD01336	8	1	MANIFOLD; ASSEMBLY-GAS, INCLUDES (2) ORF01406
ORF01406	9	2	ORIFICE; GAS, .1040 DIA, # 37 DRILL, SPUD

Heat

75008400

REV
A

Typical illustration. Unit may not appear exactly as shown.



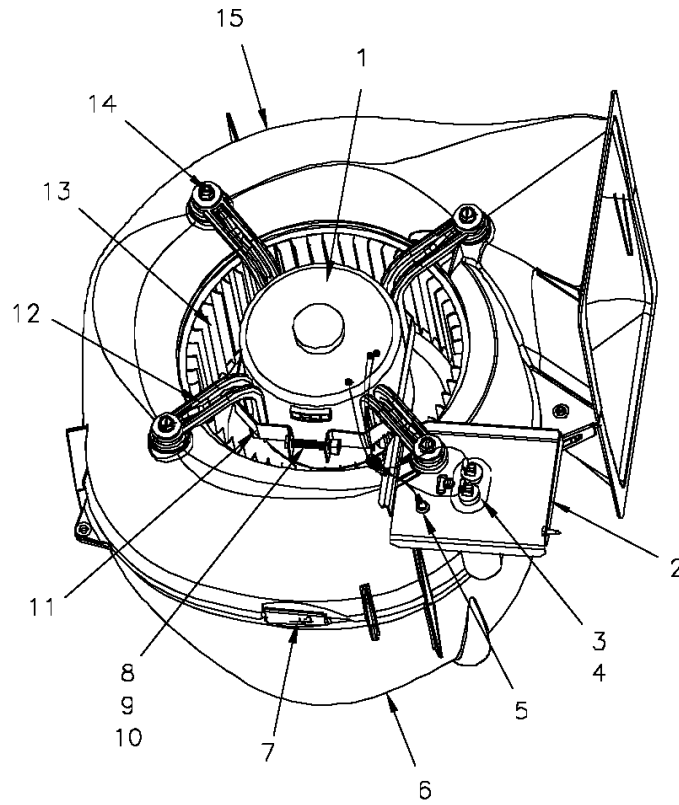
Part No.	Reference No.	Quantity	Description
BRK03603	*	2	BRACKET; TURBULATOR
EXC02005	*	1	EXCHANGER; HEAT
THT02540	*	1	THERMOSTAT; LIMIT SWITCH, OPEN AT 120F, CLOSE AT 100F
WEL00848	*	1	WELL; BULB, TAP, STATIC, 1.0 LENGTH X 0.50 OD X 0.281 OD X 0.125 ID
BLW01310	2	1	BLOWER; INDUCER, 208/230/60/1, 3480 RPM, 0.50 AMPS. INCLUDES GKT04075.
GKT04075	3	1	GASKET; INDUCER BLOWER
RSR00206	4	1	RESTRICTOR; FLUE OUTLET
GKT04063	5	1	GASKET; COLLECTOR BOX, 20.96 X 14.82
TRB00121	6	2	TURBULATOR; AND BRACKET ASSEMBLY
SHD00398	7	1	SHIELD; HEAT, STAINLESS STEEL, 12.77 X 7.32
BOF01930	8	1	BLOCKOFF; BARRIER-GAS HEAT, 21.16 X 18.30
CLP00940	9	1	CLIP; STATIC, RETAINER, .80 X .56 X .022
TUB05375	10	1	TUBE; CONNECTING PRESSURE SW, 3/16 ID X 9 IN LENGTH

Blower

75008351



Typical illustration. Unit may not appear exactly as shown.



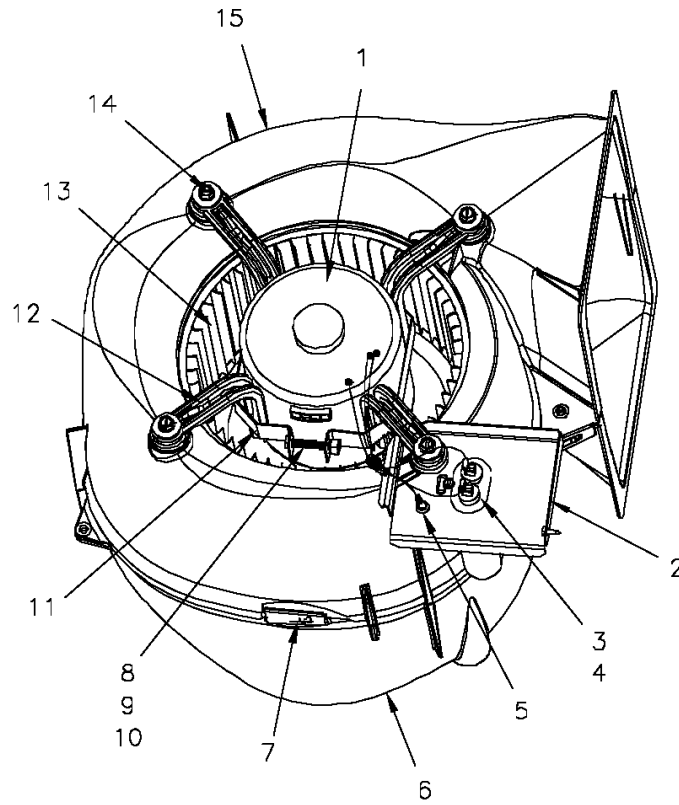
Part No.	Reference No.	Quantity	Description
75008351_4YCC3UP1_189243~P	*		BLOWER PARTS LIST

Blower

75008351



Typical illustration. Unit may not appear exactly as shown.



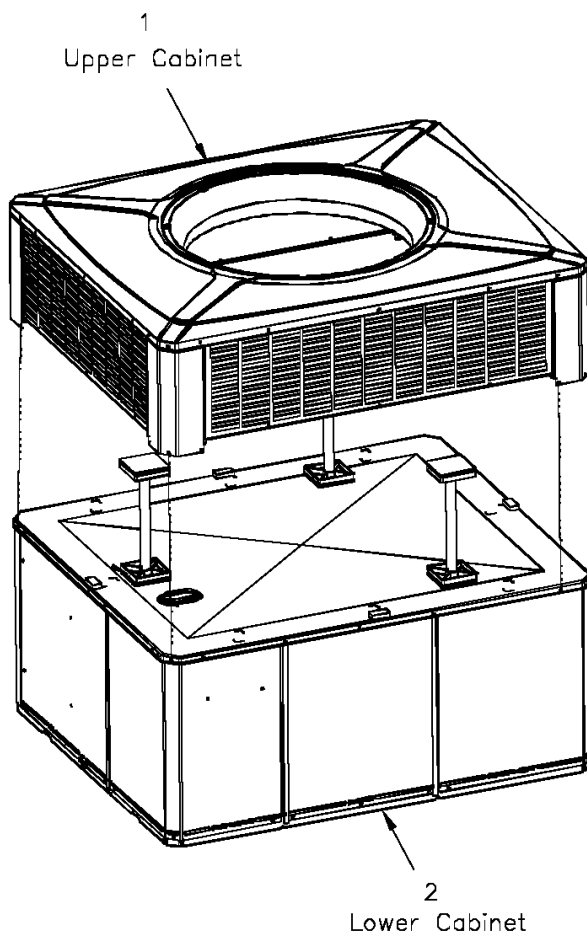
Part No.	Reference No.	Quantity	Description
BLW00962	*	1	BLOWER; ASSEMBLY, COMPLETE, INCLUDES MOTOR, HOUSING, WHEEL, MOTOR MOUNT
MOT12419	1	1	MOTOR; INDOOR, 1/2 HP, 200-230/60/1, 1075 RPM, TYPE KCP, CW, SLEEVE BEARINGS, 15 MFD CPT AT 370V
BRK03542	2	1	BRACKET; BLOWER RETAINER, 4.32 X 3.45
CPT00839	3	1	CAPACITOR; 15 MFD, 440V, OVAL, W/O RESISTOR
SCR00965	4	1	SCREW, 10-16 AB HXW 1/2 S N
SCR01918	5	1	SCREW, 10-24 THREAD ROLL, INDENT HEX WASHER HD
HUS03805	6	1	HOUSING; BLOWER RIGHT SIDE WITHOUT MOUNTING HOLES, MOLDED GLASS FIBER POLYESTER, COLOR: NATURAL
CLP01088	7	4	CLIP; CLEAT-BLOWER
SCR01584	8	1	BOLT; 1/4-20 MA HX 1.5 S
NUT00487	9	1	NUT; STEEL HEX, 1/4-20
WAS00646	10	1	WASHER; STEEL SPRING LOCK, 1/4 INCH
BND00026	11	1	BAND; MOTOR MOUNT
BRK03396	12	4	BRACKET; ARM-MOTOR
WHL02558	13	1	WHEEL; BLOWER, 48 BLADES, CCW, CONCAVE DISC, 10.62 X 10.68
SCR02112	14	4	SCREW; ASSEMBLY-MOTOR MOUNT
HUS03804	15	1	HOUSING; BLOWER LEFT SIDE WITH 4 MOUNTING HOLES, MOLDED GLASS FIBER POLYESTER, COLOR: NATURAL

Cabinet

75008397

REV
A

Typical illustration. Unit may not appear exactly as shown.



View is determined by facing Appearance Nameplate

Parts List Number :75008387#4YCC3UP1

Model Number :4YCC3036A1064BA

Part No.	Reference No.	Quantity	Description
75008397_4YCC3UP1_147049~P	*		CABINET PARTS LIST
75008399#4YCC3UP1~S	*		LOWER CABINET
75008357#4YCC3UP1~S	*		UPPER CABINET

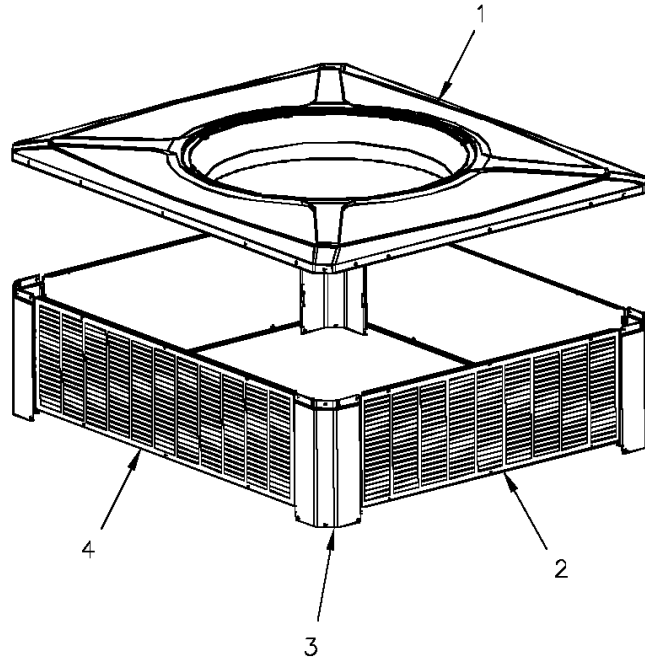
Cabinet

75008357

REV
A

upper

Typical illustration. Unit may not appear exactly as shown.



Parts List Number :75008387#4YCC3UP1

Model Number :4YCC3036A1064BA

Part No.	Reference No.	Quantity	Description
75008357_4YCC3UP1_147050~P	*		UPPER CABINET PARTS LIST

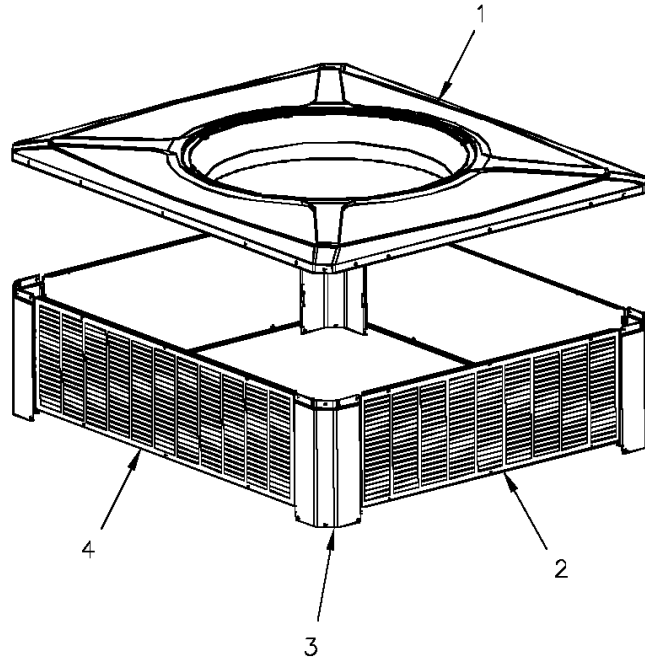
Cabinet

75008357

REV
A

upper

Typical illustration. Unit may not appear exactly as shown.



Part No.	Reference No.	Quantity	Description
SUP05014	*	3	SUPPORT; OD COIL, BOTTOM, 4X4, INCLUDES GASKET
SUP05015	*	3	SUPPORT; OD COIL, TOP, 4X4, INCLUDES GASKET
TUB12006	*	3	TUBE; SUPPORT, TOP PIPE, .75 DIA, SCHEDULE 40 GREY PVC, 12.46 INCHES
COV03694	1	1	COVER; OUTDOOR, TOP, 48.61 X 41.08
PNL22006	2	2	PANEL; METAL LOUVER, 32.00 X 11.40
PNL22001	3	4	PANEL; CORNER POST, 11.84 H
PNL22010	4	2	PANEL; METAL LOUVER, 39.53 X 11.40

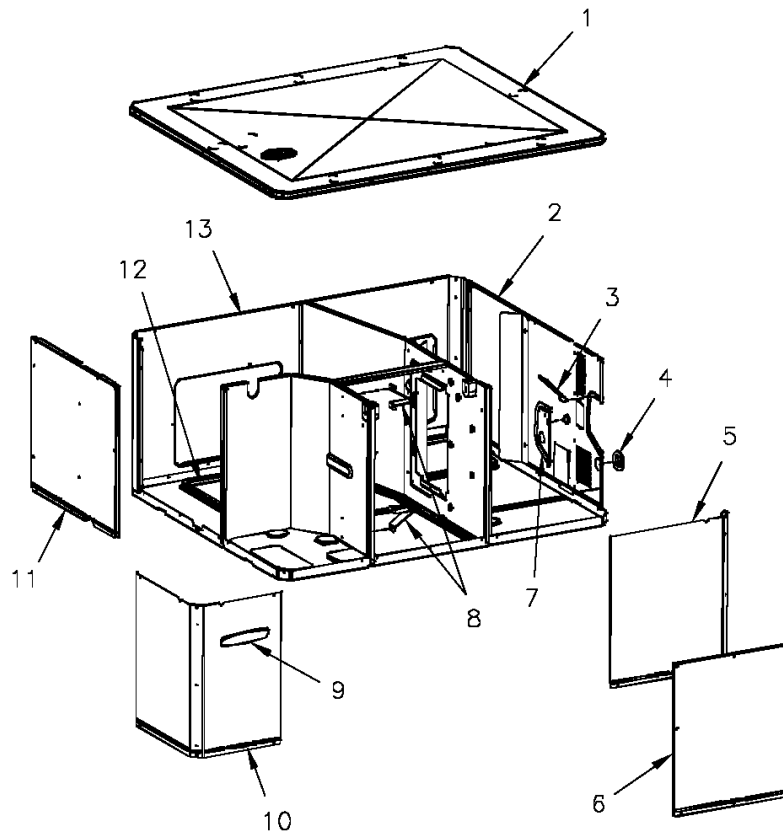
Cabinet

75008399

REV
A

lower

Typical illustration. Unit may not appear exactly as shown.



View is determined by facing Appearance Nameplate

Parts List Number :75008387#4YCC3UP1

Model Number :4YCC3036A1064BA

Part No.	Reference No.	Quantity	Description
75008399_4YCC3UP1_147052~P	*		LOWER CABINET PARTS LIST

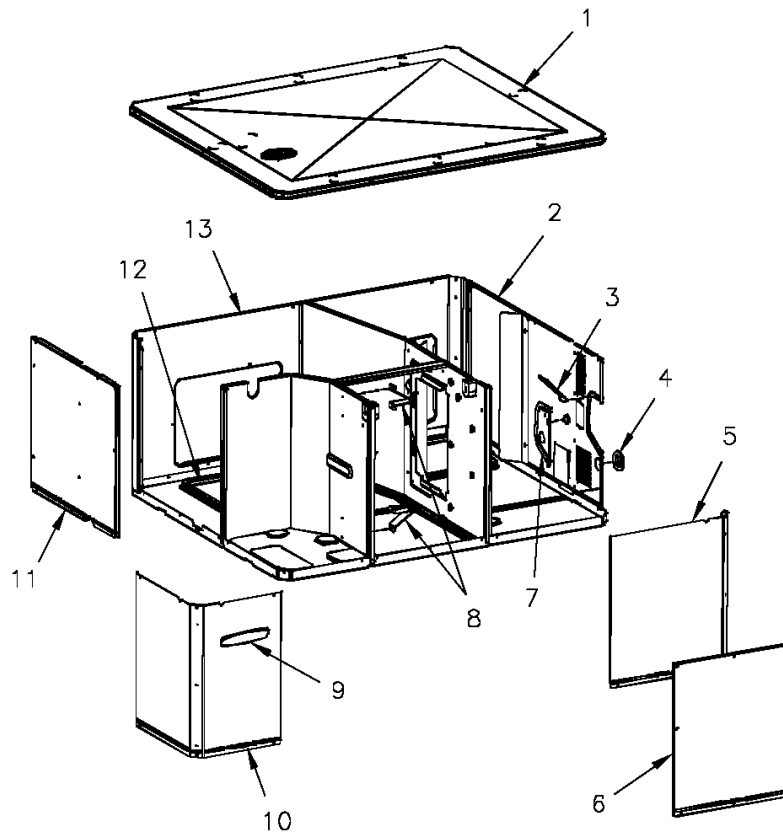
Cabinet

75008399

REV
A

lower

Typical illustration. Unit may not appear exactly as shown.



View is determined by facing Appearance Nameplate

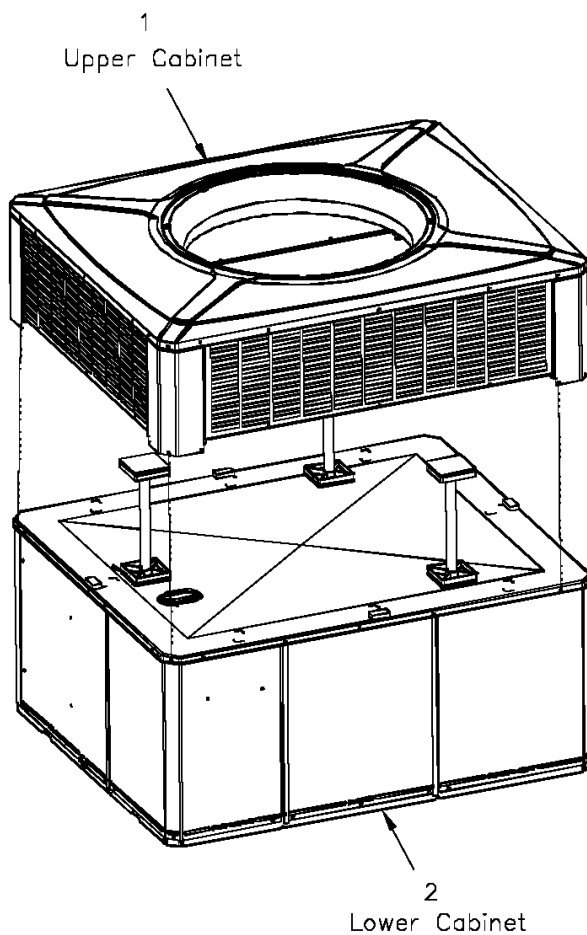
Part No.	Reference No.	Quantity	Description
BAF01248	*	1	BAFFLE; AIR, 18 IN HIGH
GRM00118	*	1	GROMMET; 3/16 IN ID, NEOPRENE
GRM00129	*	2	GROMMET; SCREW
HOD00519	*	1	HOOD; ASSEMBLY, FLUE
PNL26584	*	1	PANEL; BLOWER BARRIER, 41.05 X 21.15
PNL28755	*	1	PANEL; COMPRESSOR BARRIER, 27.22 W X 21.15 H
SHD00424	*	1	SHIELD; LOUVER, BOTTOM, 6.0 X 4.0
COV03696	1	1	COVER; INDOOR, TOP, 48.61 X 41.08
PNL22038	2	1	PANEL; GAS HEAT ACCESS, 36.00 X 20.91
SHD00397	3	1	SHIELD; LOUVER, TOP, 5.0 X 1.9
BUS00616	4	1	BUSHING; 1.62 DIA
PNL22000	5	1	PANEL; CONTROL/HEAT ACCESS, 17.93 X 20.70
PNL22013	6	1	PANEL; BLOWER ACCESS, 17.63 X 20.70
PNL22042	7	1	PANEL; GAS HEAT, 7.81 X 4.50
BRK03541	8	1	BRACKET; BLOWER SUPPORT, V-SHAPED, 3.13 X 2.75 X 1.50
PLT04112	9	1	PLATE; APPEARANCE NAMEPLATE, TRANE, 7.5 X 1.8
PNL21998	10	1	PANEL; COMPRESSOR ACCESS, 20.7 X 12.7 & 20.7 X 15.5
PNL22039	11	1	PANEL; INDOOR COIL ACCESS, 22.42 X 20.70
COV03698	12	2	COVER; SUPPLY AND RETURN, 15.88 X 11.88
PNL22197	13	1	PANEL; SUPPLY AND RETURN, 48.41 X 20.88

Cabinet

75008397

REV
A

Typical illustration. Unit may not appear exactly as shown.



View is determined by facing Appearance Nameplate

Parts List Number :75008387#4YCC3UP1

Model Number :4YCC3036A1064BA

Part No.	Reference No.	Quantity	Description
PAI00074	*	1	PAINT; SPRAY, SLATE GREY, FULL GLOSS(88) (SHIPPING UOM 12 OZ HAZ)



Parts List Number :75008387#4YCC3UP1

Model Number :4YCC3036A1064BA

Part No.	Reference No.	Quantity	Description
75008692_4YCC3UP1_147058-P	*		MODEL NOMENCLATURE PARTS LIST



Part No.	Reference No.	Quantity	Description
NGRAPHIC_4YCC3UP1_263825~ P	*		OPTIONAL FIELD INSTALLED ACCESSORIES PARTS LIST

NO GRAPHIC AVAILABLE

75013702

REV
A

**NO
GRAPHIC
AVAILABLE**

Parts List Number :75008387#4YCC3UP1

Model Number :4YCC3036A1064BA

Part No.	Reference No.	Quantity	Description
BAYUV101A	*	1	25 WATT UV LIGHT KIT FOR SMALL PACKAGED UNITS
ECN00111	*	1	ECONOMIZER; DOWN DISCHARGE, AND RAIN HOOD (BAYECON101AA)
ECN00113	*	1	ECONOMIZER; HORIZONTAL (BAYECON200AA)
KIT03361	*	1	KIT; LIFTING LUGS-BAYLIFT002B (CTN = 6 PIECES)
KIT06658	*	1	KIT; ENTHALPY CONTROL (BAYENTH001AB)
KIT13551	*	1	KIT; CURB ADAPTER (BAYADAP050AA)
KIT13552	*	1	KIT; CURB ADAPTER (BAYADAP051AA)
KIT13559	*	1	KIT; 12 INCH DUCT SHROUD COVERS HORIZONTAL (BAYCOVR112AA)
KIT13560	*	1	KIT; 18 INCH DUCT SHROUD COVERS HORIZONTAL (BAYCOVR118AA)
KIT13561	*	1	KIT; FULL PERIMETER ROOF MOUNTING CURB (BAYCURB050AA)
KIT13563	*	1	KIT; OUTSIDE AIR, 2 POS DAMPER (BAYDMPR101AA)
KIT13565	*	1	KIT; EXTREME CURB MOUNTING (BAYEXMK001AA)
KIT13567	*	1	KIT; EXTREME CURB MOUNTING (BAYEXMK003AA)
KIT13569	*	1	KIT; LP CONVERSION (BAYLPKT101AA)
KIT13571	*	1	KIT; OUTSIDE AIR, MANUAL DAMPER (BAYOSAH001AA)
KIT13574	*	1	KIT; QUICK START (BAYQSTK301AA)
KIT13575	*	1	KIT; SQUARE/ROUND DUCT ADAPTER (BAYSQRD001AA)
KIT13576	*	1	KIT; SQUARE/ROUND DUCT ADAPTER (BAYSQRD002AA)
KIT13640	*	1	KIT; LOW AMBIENT COOLING, HEAD PRESSURE CONTROL (BAYLOAM105AA)
KIT15096	*	1	KIT; FILTER FRAME (BAYFLTR101BA). USE ONE 20 X 25 FILTER - NOT INCLUDED.
KIT15141	*	1	KIT; ACCESS DOOR, 1-1/2 TO 3 TON MODELS (BAYACCDOR1AA)
KIT15323	*	1	KIT; EXTREME CURB MOUNTING (BAYEXMK002BA)
KIT15325	*	1	KIT; SQUARE/ROUND DUCT ADAPTER (BAYUTIL101BA)
KIT15403	*	1	KIT; ECONOMIZER, HINGED FILTER ACCESS DOOR AND FILTER FRAME (BAYECONCOMB101A)
KIT15752	*	1	KIT; SUMP HEATER, 208/230V, 40W, BELLY BAND STYLE (BAYCCHT302), 74 IN LENGTH, 5.5 INCH DIA
TMR00140	*	1	TIMER; ANTISHORT CYCLE (BAYASCT001)