

General Assembly

75008387

REV
A

Typical illustration. Unit may not appear exactly as shown.



Part No.	Reference No.	Quantity	Description
75008387_4YCC3UP1_147040~P	*		4YCC3UP1 PARTS LIST
75008351#4YCC3UP1~S	*		BLOWER
75008397#4YCC3UP1~S	*		CABINET
75009041#4YCC3UP1~S	*		CONTROLS
75005599#4YCC3UP1~S	*		FAN
75008400#4YCC3UP1~S	*		HEAT
75008692#4YCC3UP1~S	*		MODEL NOMENCLATURE
NGRAPHIC#4YCC3UP1~S	*		OPTIONAL FIELD INSTALLED ACCESSORIES
75008421#4YCC3UP1~S	*		REFRIGERATION

General Assembly

75008387

REV
A

Typical illustration. Unit may not appear exactly as shown.

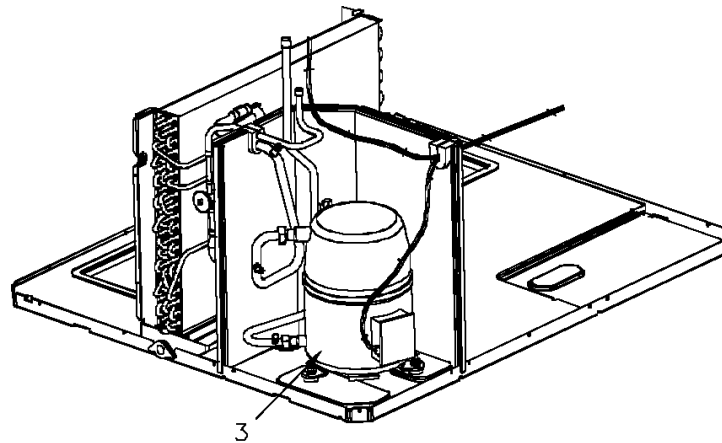
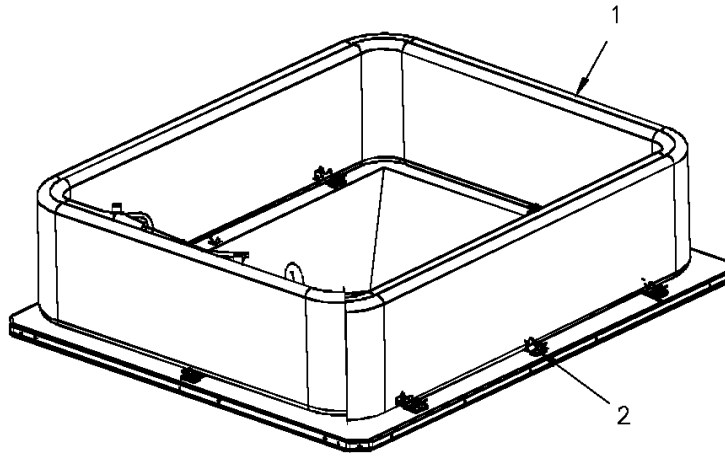


Refrigeration

75008421

REV
A

Typical illustration. Unit may not appear exactly as shown.



Enlarged View

Parts List Number :75008387#4YCC3UP1

Model Number :4YCC3018A1040BA

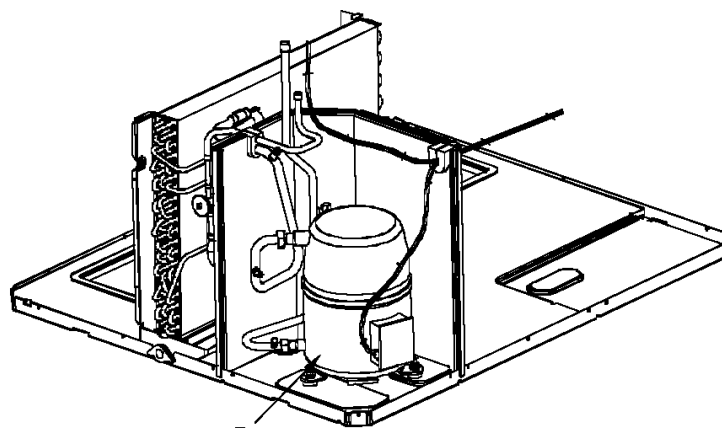
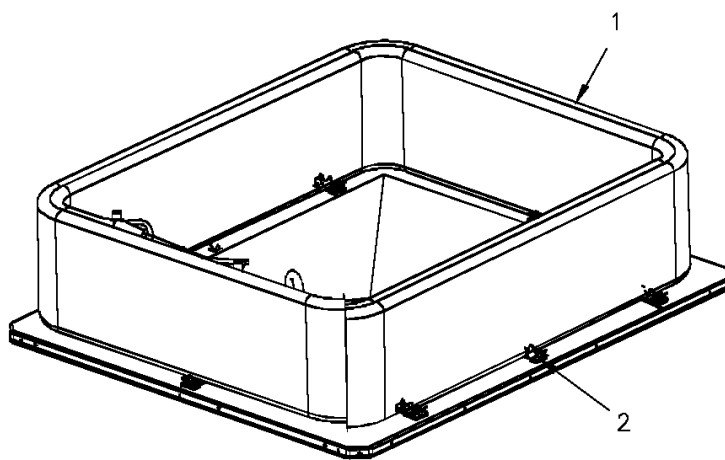
Part No.	Reference No.	Quantity	Description
75009730#4YCC3UP1~S	*		ENLARGED VIEW
75008421_4YCC3UP1_363139~P	*		REFRIGERATION PARTS LIST

Refrigeration

75008421

REV
A

Typical illustration. Unit may not appear exactly as shown.



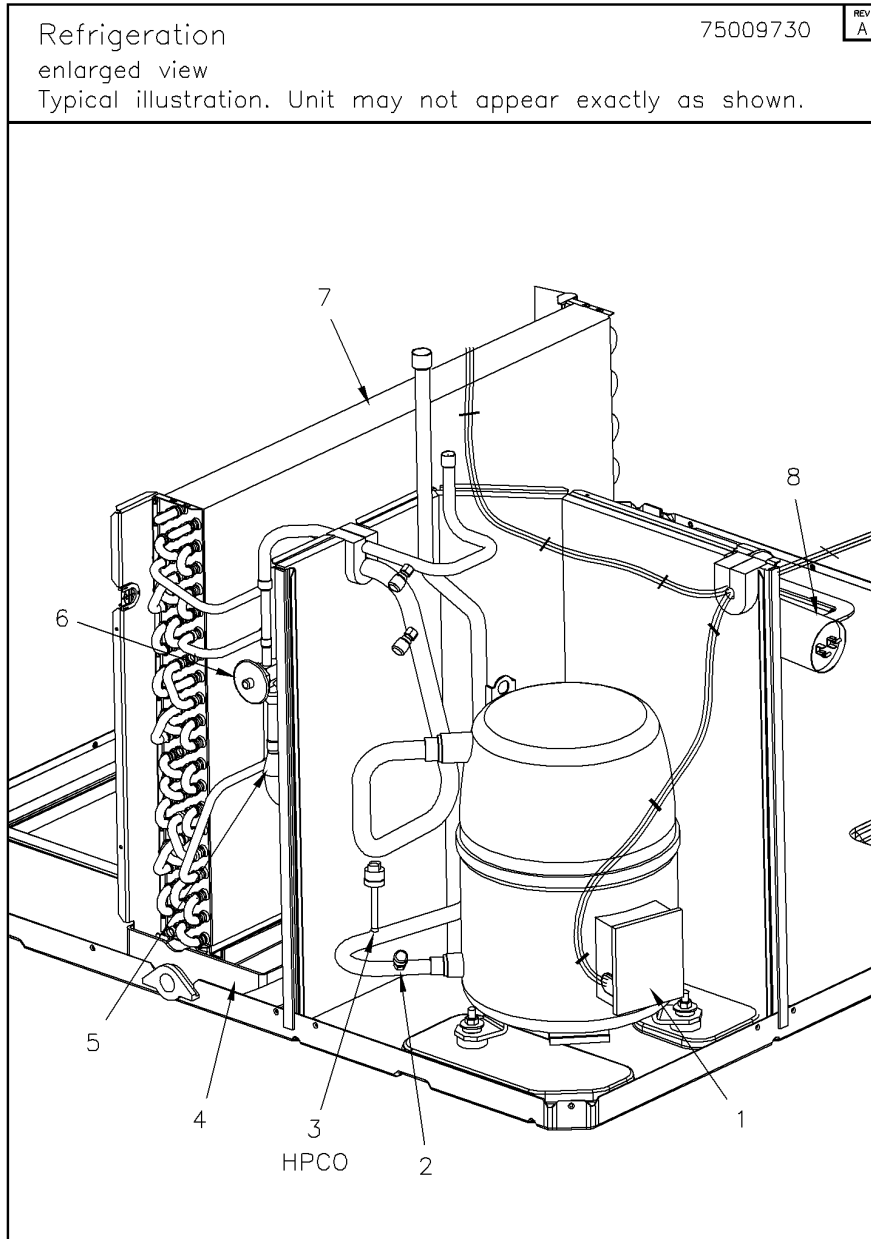
3
Enlarged View

REFRIGERATION PARTS LIST

Parts List Number :75008387#4YCC3UP1

Model Number :4YCC3018A1040BA

Part No.	Reference No.	Quantity	Description
DHY01456	*	1	DRIER; LIQUID LINE; SERVICE FIRST; 5 CU. IN.; DCL054/3S, 1/2 ODF INLET X 3/8 ODF OUTLET; 5.4 TON CAPACITY; APPROVED FOR MINERAL OIL AND POE OIL REFRIG
COL19218	1	1	COIL; OUTDOOR, SPINE FIN
SPC00391	2	8	SPACER; OUTDOOR COIL, 2.50 X 1.31. INCLUDES GASKET.



Parts List Number :75008387#4YCC3UP1

Model Number :4YCC3018A1040BA

Part No.	Reference No.	Quantity	Description
75009730_4YCC3UP1_363140~P	*		ENLARGED VIEW PARTS LIST

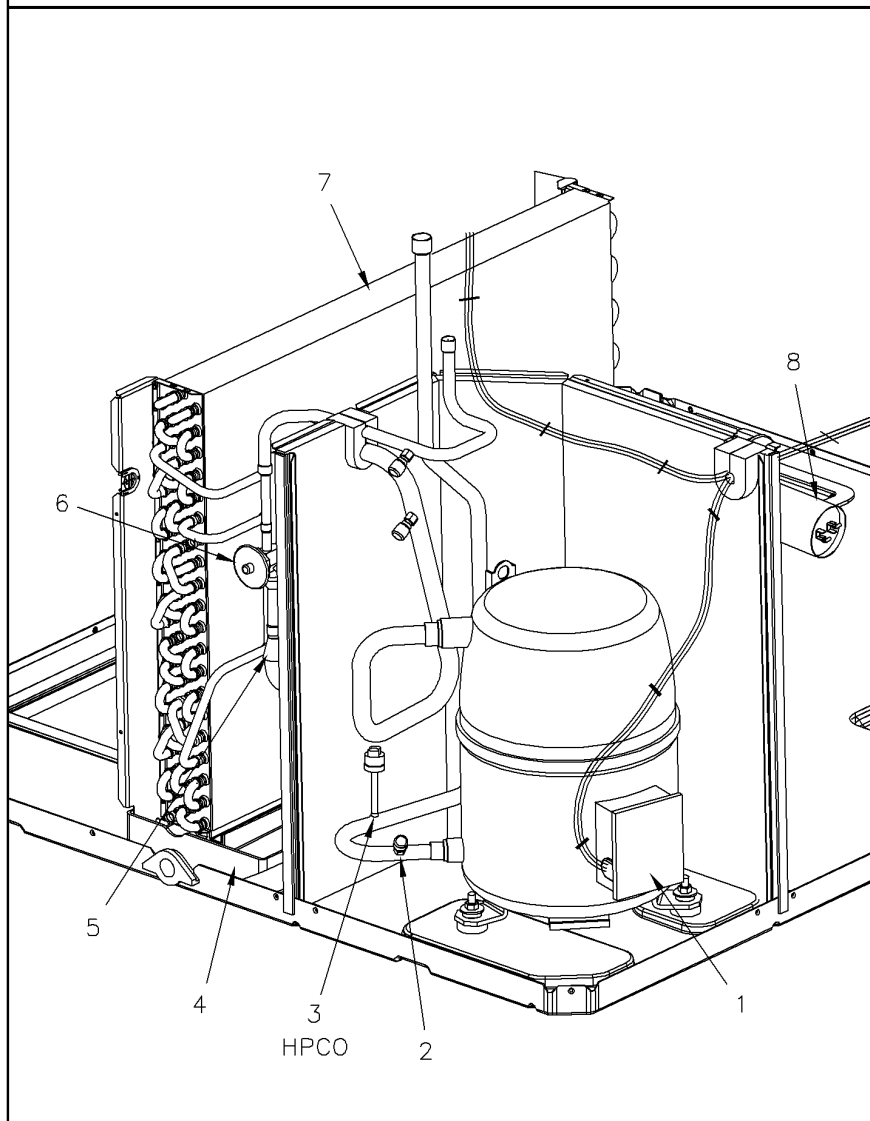
Refrigeration

75009730

REV
A

enlarged view

Typical illustration. Unit may not appear exactly as shown.



Parts List Number :75008387#4YCC3UP1

Model Number :4YCC3018A1040BA

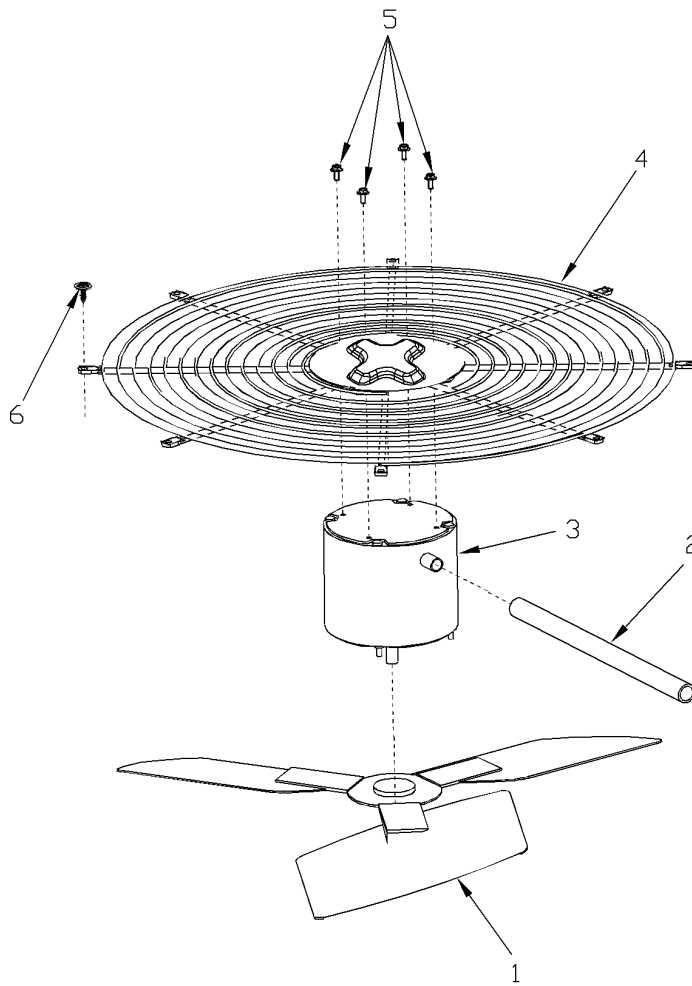
Part No.	Reference No.	Quantity	Description
BLT00809	*	3	BOLT; CARRIAGE, 5/16-18 X 1-3/4
BOD00114	*	1	BODY; VALVE, BRASS, 7/16 HEX, 7/16 -20 UNF-2A
GKT01820	*	3	GASKET; 3/4 OD X 7/16 ID X .06 THK
MNT00479	*	3	MOUNT; VIBRATION ISOLATOR, COMPRESSOR
NUT00355	*	3	NUT; HEX, LOCK, 5/16IN.-18
NUT00668	*	3	NUT; PALLET
WAS00638	*	3	WASHER; FLAT, 5/16 INCH
WIR04497	*	1	WIRE; HARNESS, RECIP COMPRESSOR
COM10343	1	1	COMPRESSOR; RECIP, DP15A-WX1-JB, 1.2 TON, 200-230/60/1, R410A, BRAZED-STUB TUBE
CAP00455	2	3	CAP; HUB, 7/16-20 STRAIGHT
COR00103	2	3	CORE; VALVE, .79 LENGTH, .206-36 UNS-1 MOD. THD
SWT03543	3	1	SWITCH; HIGH PRESSURE, SPST, OPEN @ 650 PSIG, CLOSE @ 500 PSIG, BRAZED
PAN02888	4	1	PAN; DRAIN, BLACK PVC, 29.58 X 7.75
DST00893	5	1	DISTRIBUTOR; 3 OUTLETS, 19 ODS, .50 ODM INLET, BRASS
TUB11598	5	1	TUBE; ASSEMBLY, INDOOR DISTRIBUTOR
TUB11661	6	1	TUBE; ASSEMBLY, INDOOR FLOW CONTROL, R410A
VAL08720	6	1	VALVE; EXPANSION W/ SWEAT FITTINGS, 1 TON, 3/8 IN INLET X 1/2 IN OUTLET, 91/87 PSIG, R410A
COL13537	7	1	COIL; INDOOR, FLAT FIN
CPT00659	8	1	CAPACITOR; DUAL, 30/5 MFD, 440V, ROUND, W/O RESISTOR

FAN

75005599

REV
A

Typical Illustration. Unit may not appear exactly as shown.



Parts List Number :75008387#4YCC3UP1

Model Number :4YCC3018A1040BA

Part No.	Reference No.	Quantity	Description
75005599_4YCC3UP1_248061~P	*		FAN PARTS LIST

FAN

75005599

REV
A

Typical Illustration. Unit may not appear exactly as shown.



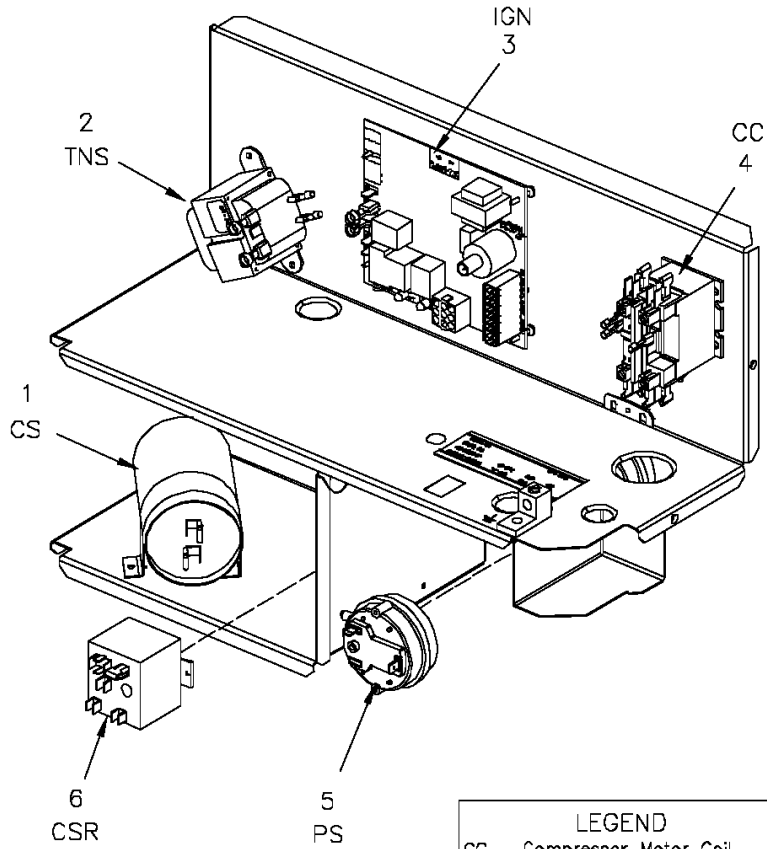
Part No.	Reference No.	Quantity	Description
FAN04049	1	1	FAN; 3 BLADE, ALUMINUM, 23 IN DIA, 17 DEG PITCH, .50 IN BORE, CCW, 1 SET SCREW-STEEL, SPIDER .057 THK, FINISH/PAINT
GRD01633	2	1	GUARD; TROUGH-LEAD
MOT12404	3	1	MOTOR; OUTDOOR, 1/12 HP, 200-230/60/1, 810 RPM, TYPE PSC, CCW, SLEEVE BEARINGS, 5 MFD CPT AT 370V
GRL01529	4	1	GRILL; OUTDOOR FAN, 26.0 IN MOUNTING DIA
SCR02086	5	4	SCREW; 10-32 TR-3 HW 3/8 S

Controls

75009041

REV
A

Typical illustration. Unit may not appear exactly as shown.



LEGEND	
CC	Compressor Motor Coil
CS	Compressor Start Capacitor
CSR	Compressor Start Relay Coil
IGN	Ignition Control Module
PS	Pressure Switch
TNS	Transformer

Parts List Number :75008387#4YCC3UP1

Model Number :4YCC3018A1040BA

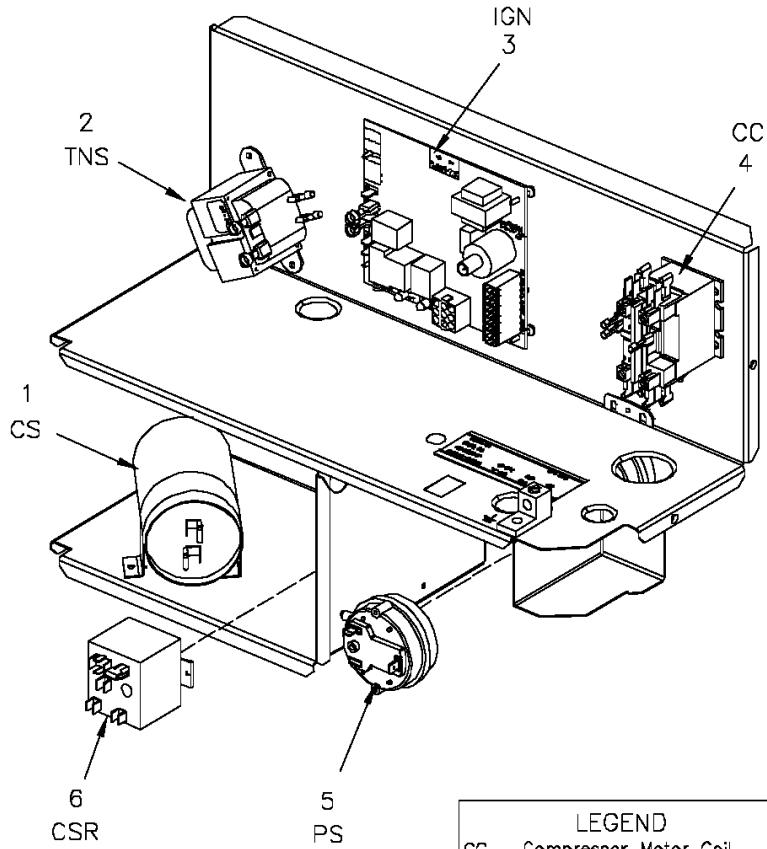
Part No.	Reference No.	Quantity	Description
75009041_4YCC3UP1_363141~P	*		CONTROLS PARTS LIST

Controls

75009041

REV
A

Typical illustration. Unit may not appear exactly as shown.



LEGEND	
CC	Compressor Motor Coil
CS	Compressor Start Capacitor
CSR	Compressor Start Relay Coil
IGN	Ignition Control Module
PS	Pressure Switch
TNS	Transformer

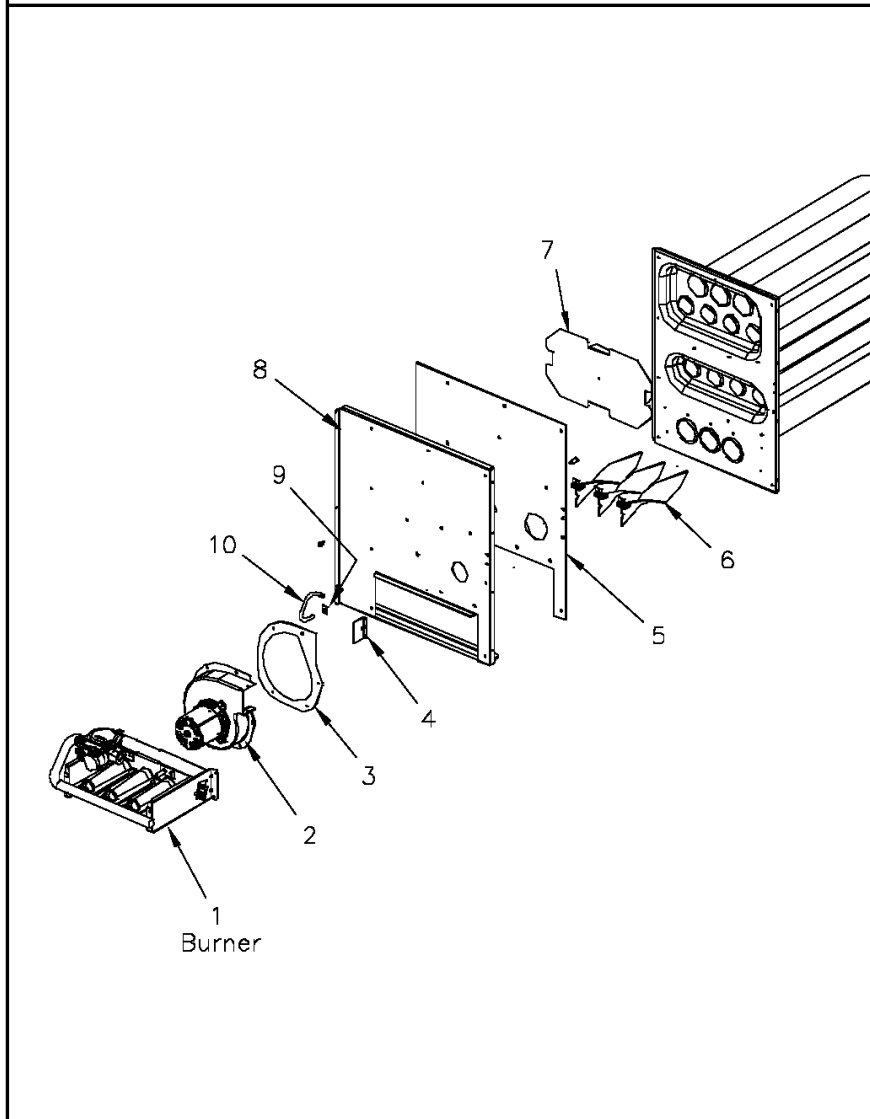
Part No.	Reference No.	Quantity	Description
LUG00014	*	1	LUG, GROUND
WIR04491	*	1	WIRE; HARNESS, START KIT, RD-BK-BR,OR WIRES
WIR04547	*	1	WIRE; HARNESS, CONTROL. INCLUDES PLU00325 AND CON00251
CPT00320	1	1	CAPACITOR; START, 176-216 MFD, 320V, ROUND, W/ RESISTOR
TRR01898	2	1	TRANSFORMER; 50VA, 208/240V PRI, 24V SEC
CNT05133	3	1	CONTROL; SINGLE STAGE, DIRECT SPARK IGNITION MODULE
CTR01333	4	1	CONTACTOR; 2 POLE, NO, 40 FLA AT 240V, 50/60 HZ, 50 RES AMPS, 24V COIL, 40 FLA AT 277/480/600V
CNT05640	5	1	CONTROL; AIR PRESSURE, SPST, 28VA PILOT DUTY AT 24 VAC, 125VA PILOT DUTY AT 125VAC, SNAP ACTING CONTACTS, OPERATING TEMP RANGE: -40 TO 190F
RLY02711	6	1	RELAY, START, SPST, 50A COIL, 153V PICK UP, 115V DROP OUT

Heat

75008400

REV
A

Typical illustration. Unit may not appear exactly as shown.



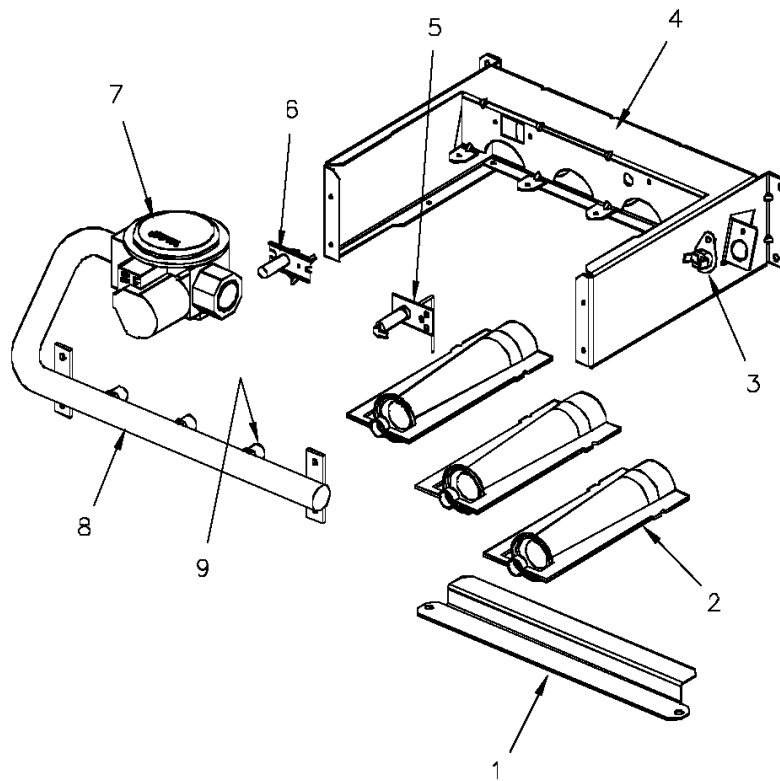
Part No.	Reference No.	Quantity	Description
75008401#4YCC3UP1~S	*		BURNER
75008400_4YCC3UP1_363137~P	*		HEAT PARTS LIST

Burner

75008401

REV
A

Typical illustration. Unit may not appear exactly as shown.



Parts List Number :75008387#4YCC3UP1

Model Number :4YCC3018A1040BA

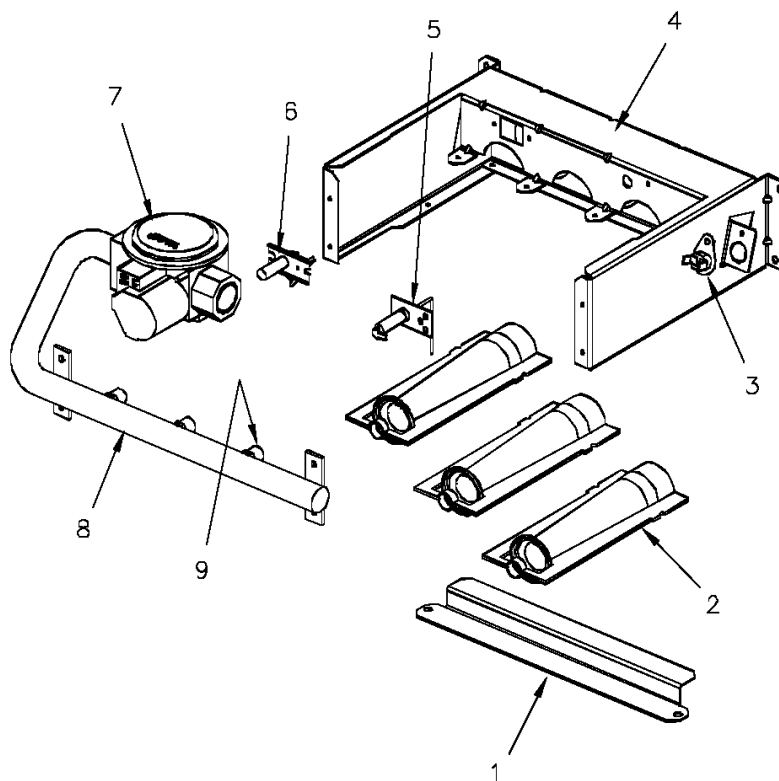
Part No.	Reference No.	Quantity	Description
75008401_4YCC3UP1_363138-P	*		BURNER PARTS LIST

Burner

75008401

REV
A

Typical illustration. Unit may not appear exactly as shown.



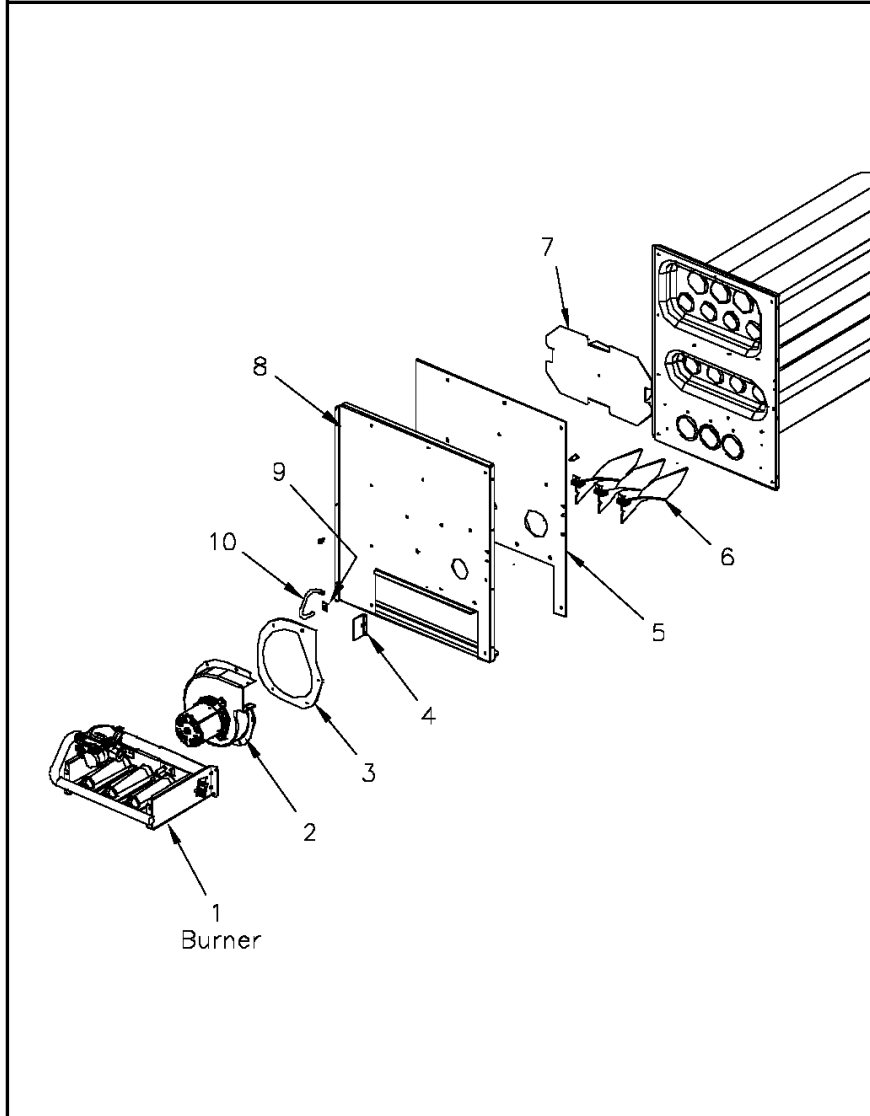
Part No.	Reference No.	Quantity	Description
RTR00831	1	1	RETAINER; BURNER, 10.53 L
BNR01071	2	1	BURNER; 0.60 ID INSHOT BURNER, 0.036 THK 304 STAINLESS STEEL
SWT02945	3	1	SWITCH; TEMP, 200 OPEN/CLOSE MANUAL, 25 AMP AT 240V, 125V PILOT DUTY, STAINLESS STEEL
BRK03604	4	1	BRACKET; BURNER
SEN00297	5	1	SENSOR; FLAME
IGN00135	6	1	IGNITER; ELECTRODE, 22 INCH LEAD
VAL09033	7	1	VALVE; GAS, 1/2-14 NPT, 24V, 50/60 HZ, "J" SERIES
MFD01158	8	1	MANIFOLD; GAS
ORF01307	9	1	ORIFICE; GAS, .116 DIA, # 32 DRILL, SPUD

Heat

75008400

REV
A

Typical illustration. Unit may not appear exactly as shown.



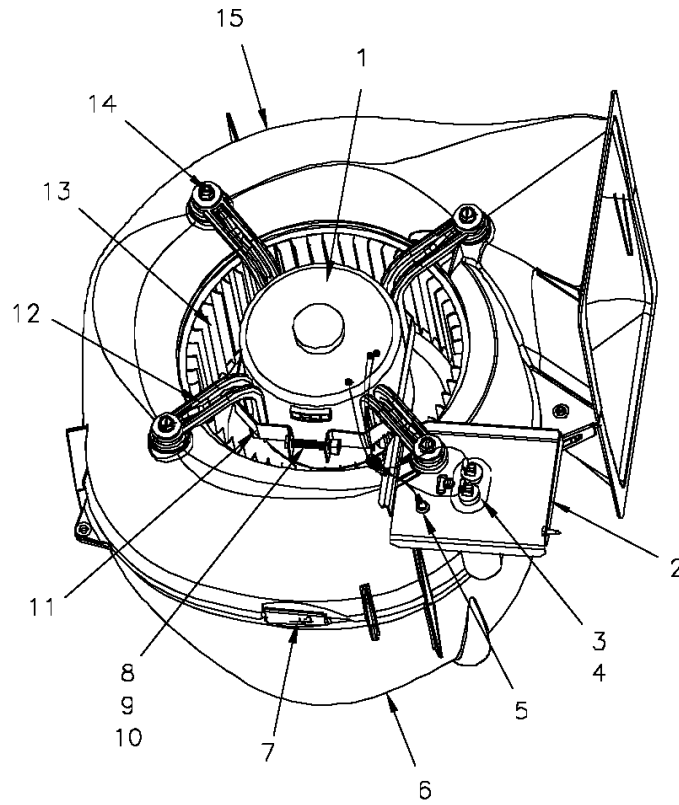
Part No.	Reference No.	Quantity	Description
BRK03603	*	1	BRACKET; TURBULATOR
EXC02004	*	1	EXCHANGER; HEAT
THT02544	*	1	THERMOSTAT; LIMIT SWITCH, OPEN AT 150F, CLOSE AT 110F
WEL00848	*	1	WELL; BULB, TAP, STATIC, 1.0 LENGTH X 0.50 OD X 0.281 OD X 0.125 ID
BLW01310	2	1	BLOWER; INDUCER, 208/230/60/1, 3480 RPM, 0.50 AMPS. INCLUDES GKT04075.
GKT04075	3	1	GASKET; INDUCER BLOWER
RSR00217	4	1	RESTRICTOR; FLUE OUTLET
GKT04063	5	1	GASKET; COLLECTOR BOX, 20.96 X 14.82
TRB00121	6	1	TURBULATOR; AND BRACKET ASSEMBLY
SHD00398	7	1	SHIELD; HEAT, STAINLESS STEEL, 12.77 X 7.32
BOF01930	8	1	BLOCKOFF; BARRIER-GAS HEAT, 21.16 X 18.30
CLP00940	9	1	CLIP; STATIC, RETAINER, .80 X .56 X .022
TUB05375	10	1	TUBE; CONNECTING PRESSURE SW, 3/16 ID X 9 IN LENGTH

Blower

75008351

REV
E

Typical illustration. Unit may not appear exactly as shown.



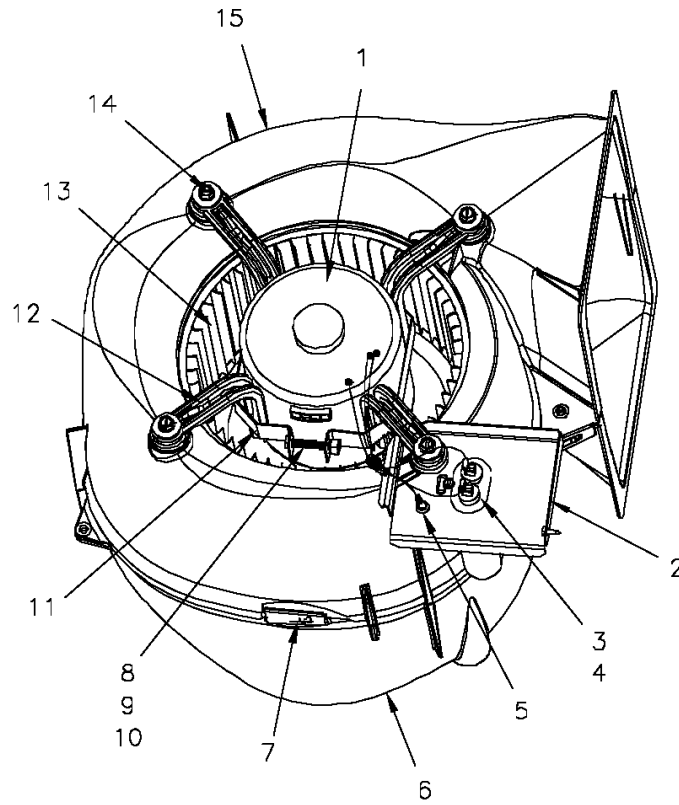
Part No.	Reference No.	Quantity	Description
75008351_4YCC3UP1_363136-P	*		BLOWER PARTS LIST

Blower

75008351

REV
E

Typical illustration. Unit may not appear exactly as shown.



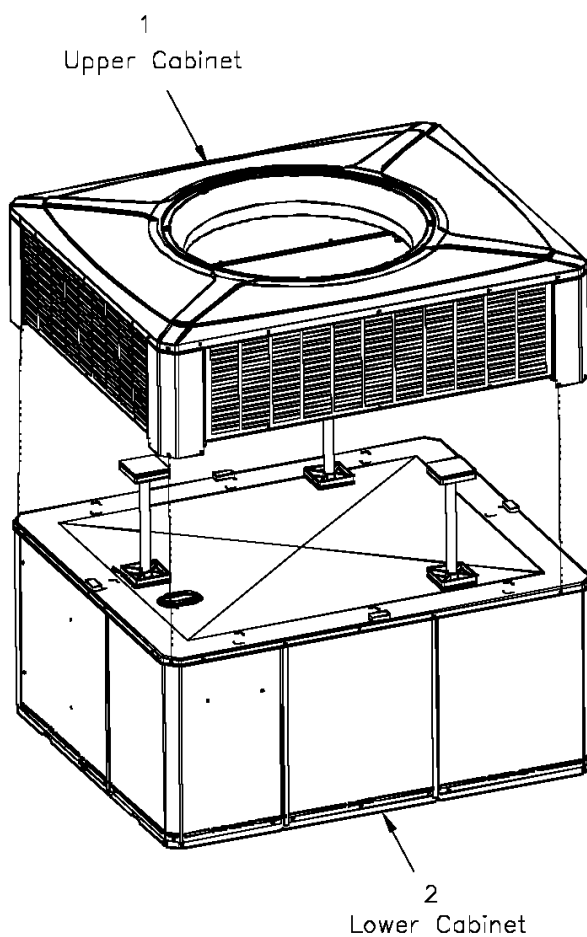
Part No.	Reference No.	Quantity	Description
BLW00977	*	1	BLOWER; ASSEMBLY, COMPLETE
MOT12415	1	1	MOTOR; INDOOR, 1/8 HP, 200-230/60/1, 825 RPM, TYPE KCP, CW, BALL BEARINGS, 10 MFD CPT AT 370V
BRK03542	2	1	BRACKET; BLOWER RETAINER, 4.32 X 3.45
CPT00088	3	1	CAPACITOR; RUN, 10 MFD, 440V OVAL, W/O RESISTOR
SCR00965	4	1	SCREW, 10-16 AB HXW 1/2 S N
SCR01918	5	1	SCREW, 10-24 THREAD ROLL, INDENT HEX WASHER HD
HUS03805	6	1	HOUSING; BLOWER RIGHT SIDE WITHOUT MOUNTING HOLES, MOLDED GLASS FIBER POLYESTER, COLOR: NATURAL
CLP01088	7	4	CLIP; CLEAT-BLOWER
SCR01584	8	1	BOLT; 1/4-20 MA HX 1.5 S
NUT00487	9	1	NUT; STEEL HEX, 1/4-20
WAS00646	10	1	WASHER; STEEL SPRING LOCK, 1/4 INCH
BND00026	11	1	BAND; MOTOR MOUNT
BRK03396	12	4	BRACKET; ARM-MOTOR
WHL02557	13	1	WHEEL; BLOWER, 53 BLADES, CCW, CONCAVE DISC, 11.75 X 10.62
SCR02112	14	4	SCREW; ASSEMBLY-MOTOR MOUNT
HUS03804	15	1	HOUSING; BLOWER LEFT SIDE WITH 4 MOUNTING HOLES, MOLDED GLASS FIBER POLYESTER, COLOR: NATURAL

Cabinet

75008397

REV
A

Typical illustration. Unit may not appear exactly as shown.



View is determined by facing Appearance Nameplate

Parts List Number :75008387#4YCC3UP1

Model Number :4YCC3018A1040BA

Part No.	Reference No.	Quantity	Description
75008397_4YCC3UP1_147049~P	*		CABINET PARTS LIST
75008399#4YCC3UP1~S	*		LOWER CABINET
75008357#4YCC3UP1~S	*		UPPER CABINET

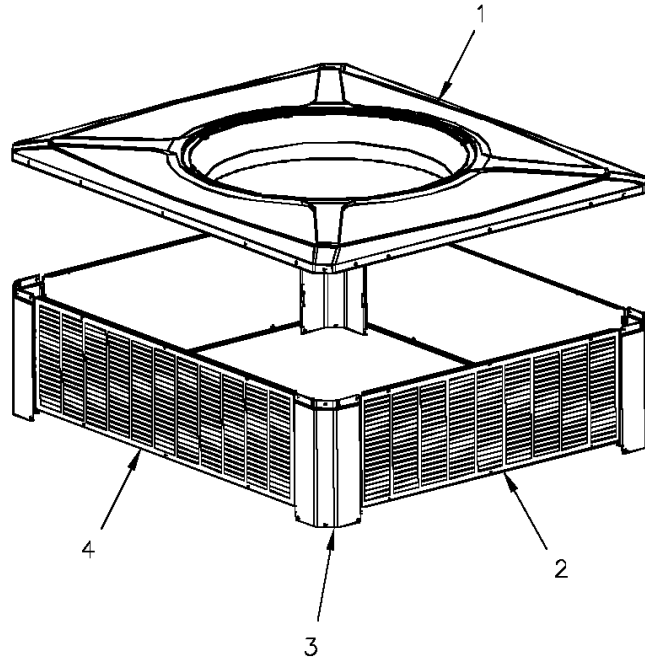
Cabinet

75008357

REV
A

upper

Typical illustration. Unit may not appear exactly as shown.



Parts List Number :75008387#4YCC3UP1

Model Number :4YCC3018A1040BA

Part No.	Reference No.	Quantity	Description
75008357_4YCC3UP1_147050~P	*		UPPER CABINET PARTS LIST

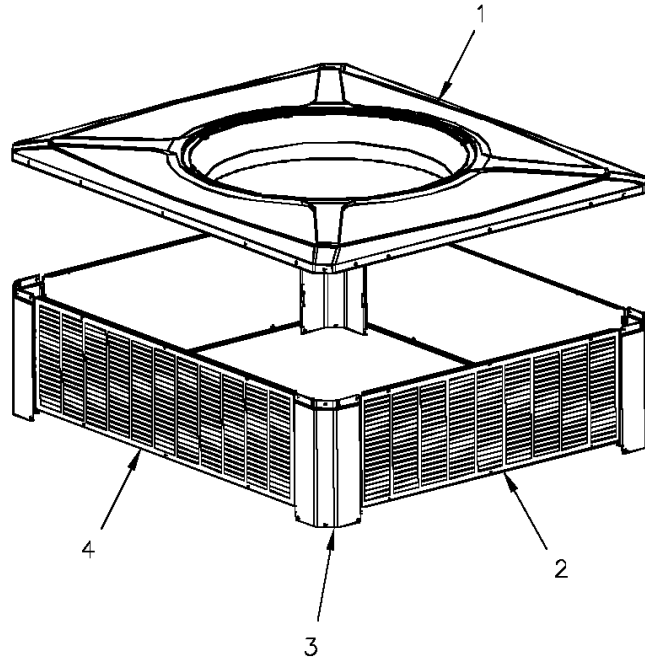
Cabinet

75008357

REV
A

upper

Typical illustration. Unit may not appear exactly as shown.



Part No.	Reference No.	Quantity	Description
SUP05014	*	3	SUPPORT; OD COIL, BOTTOM, 4X4, INCLUDES GASKET
SUP05015	*	3	SUPPORT; OD COIL, TOP, 4X4, INCLUDES GASKET
TUB12006	*	3	TUBE; SUPPORT, TOP PIPE, .75 DIA, SCHEDULE 40 GREY PVC, 12.46 INCHES
COV03694	1	1	COVER; OUTDOOR, TOP, 48.61 X 41.08
PNL22006	2	2	PANEL; METAL LOUVER, 32.00 X 11.40
PNL22001	3	4	PANEL; CORNER POST, 11.84 H
PNL22010	4	2	PANEL; METAL LOUVER, 39.53 X 11.40

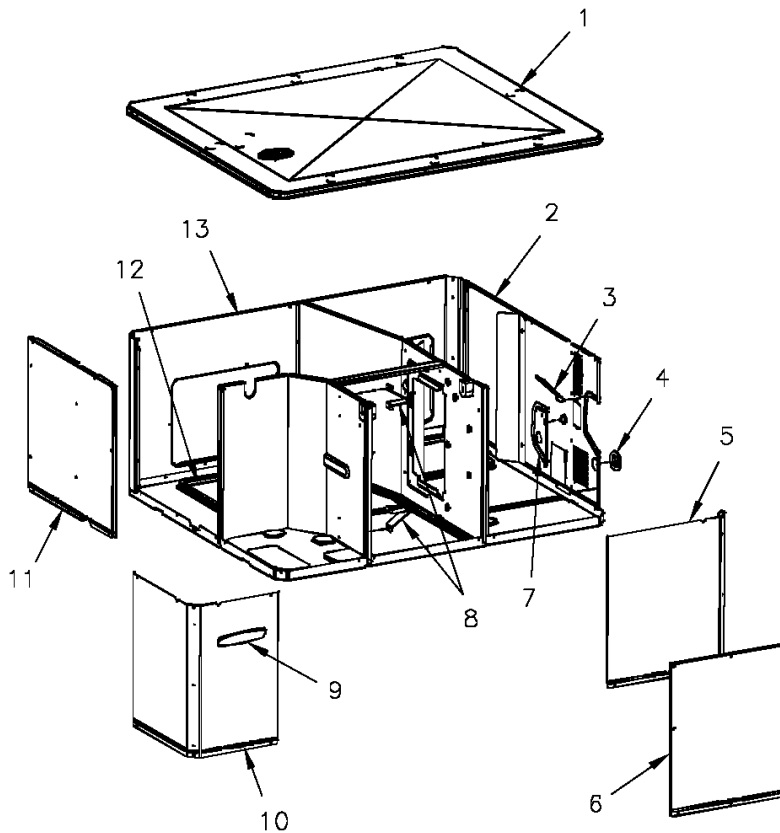
Cabinet

75008399

REV
A

lower

Typical illustration. Unit may not appear exactly as shown.



View is determined by facing Appearance Nameplate

Parts List Number :75008387#4YCC3UP1

Model Number :4YCC3018A1040BA

Part No.	Reference No.	Quantity	Description
75008399_4YCC3UP1_147052~P	*		LOWER CABINET PARTS LIST

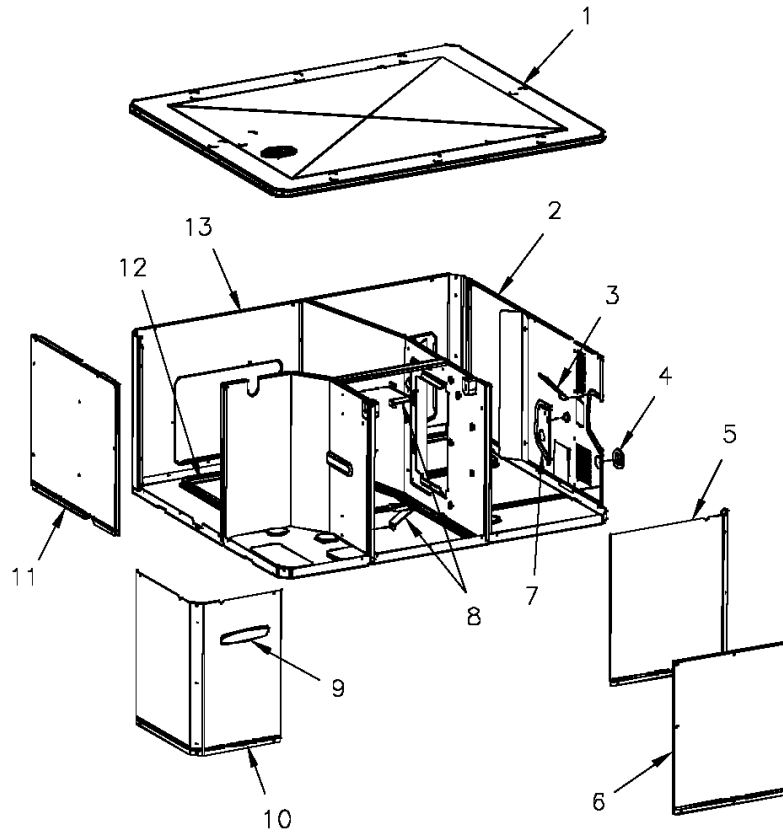
Cabinet

75008399

REV
A

lower

Typical illustration. Unit may not appear exactly as shown.



View is determined by facing Appearance Nameplate

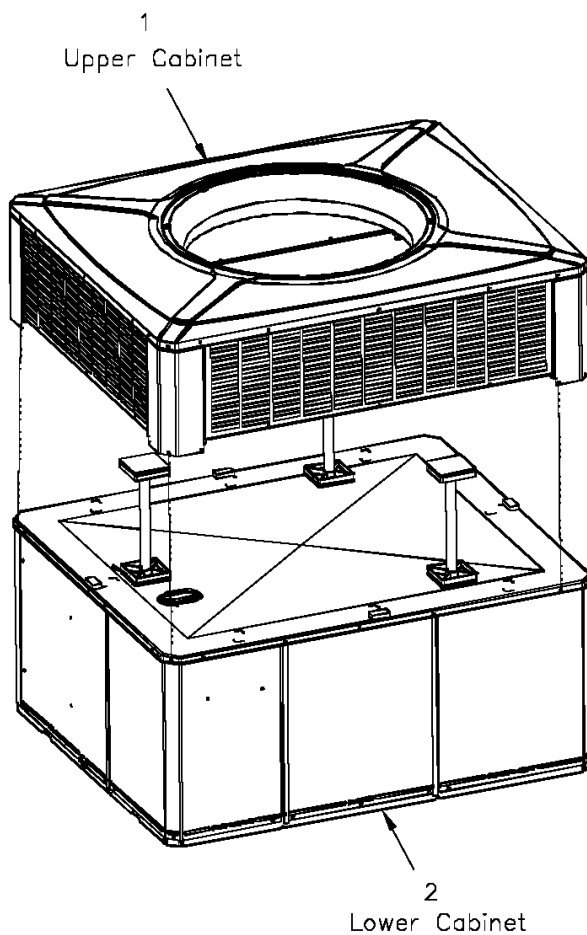
Part No.	Reference No.	Quantity	Description
BAF01248	*	1	BAFFLE; AIR, 18 IN HIGH
GRM00118	*	1	GROMMET; 3/16 IN ID, NEOPRENE
GRM00129	*	2	GROMMET; SCREW
HOD00519	*	1	HOOD; ASSEMBLY, FLUE
PNL26584	*	1	PANEL; BLOWER BARRIER, 41.05 X 21.15
PNL28755	*	1	PANEL; COMPRESSOR BARRIER, 27.22 W X 21.15 H
SHD00424	*	1	SHIELD; LOUVER, BOTTOM, 6.0 X 4.0
COV03696	1	1	COVER; INDOOR, TOP, 48.61 X 41.08
PNL22038	2	1	PANEL; GAS HEAT ACCESS, 36.00 X 20.91
SHD00397	3	1	SHIELD; LOUVER, TOP, 5.0 X 1.9
BUS00616	4	1	BUSHING; 1.62 DIA
PNL22000	5	1	PANEL; CONTROL/HEAT ACCESS, 17.93 X 20.70
PNL22013	6	1	PANEL; BLOWER ACCESS, 17.63 X 20.70
PNL22042	7	1	PANEL; GAS HEAT, 7.81 X 4.50
BRK03541	8	1	BRACKET; BLOWER SUPPORT, V-SHAPED, 3.13 X 2.75 X 1.50
PLT04112	9	1	PLATE; APPEARANCE NAMEPLATE, TRANE, 7.5 X 1.8
PNL21998	10	1	PANEL; COMPRESSOR ACCESS, 20.7 X 12.7 & 20.7 X 15.5
PNL22039	11	1	PANEL; INDOOR COIL ACCESS, 22.42 X 20.70
COV03698	12	2	COVER; SUPPLY AND RETURN, 15.88 X 11.88
PNL22197	13	1	PANEL; SUPPLY AND RETURN, 48.41 X 20.88

Cabinet

75008397

REV
A

Typical illustration. Unit may not appear exactly as shown.



View is determined by facing Appearance Nameplate

Parts List Number :75008387#4YCC3UP1

Model Number :4YCC3018A1040BA

Part No.	Reference No.	Quantity	Description
PAI00074	*	1	PAINT; SPRAY, SLATE GREY, FULL GLOSS(88) (SHIPPING UOM 12 OZ HAZ)



Part No.	Reference No.	Quantity	Description
75008692_4YCC3UP1_147058-P	*		MODEL NOMENCLATURE PARTS LIST



Parts List Number :75008387#4YCC3UP1

Model Number :4YCC3018A1040BA

Part No.	Reference No.	Quantity	Description
NGRAPHIC_4YCC3UP1_363142- P	*		OPTIONAL FIELD INSTALLED ACCESSORIES PARTS LIST

NO GRAPHIC AVAILABLE

75013702

REV
A

**NO
GRAPHIC
AVAILABLE**

Parts List Number :75008387#4YCC3UP1

Model Number :4YCC3018A1040BA

Part No.	Reference No.	Quantity	Description
BAYUV101A	*	1	25 WATT UV LIGHT KIT FOR SMALL PACKAGED UNITS
ECN00111	*	1	ECONOMIZER; DOWN DISCHARGE, AND RAIN HOOD (BAYECON101AA)
ECN00113	*	1	ECONOMIZER; HORIZONTAL (BAYECON200AA)
KIT03361	*	1	KIT; LIFTING LUGS-BAYLIFT002B (CTN = 6 PIECES)
KIT06658	*	1	KIT; ENTHALPY CONTROL (BAYENTH001AB)
KIT13551	*	1	KIT; CURB ADAPTER (BAYADAP050AA)
KIT13552	*	1	KIT; CURB ADAPTER (BAYADAP051AA)
KIT13556	*	1	KIT; CRANKCASE HEATER, 230V RECIP COMPRESSORS (BAYCCHT101AA)
KIT13559	*	1	KIT; 12 INCH DUCT SHROUD COVERS HORIZONTAL (BAYCOVR112AA)
KIT13560	*	1	KIT; 18 INCH DUCT SHROUD COVERS HORIZONTAL (BAYCOVR118AA)
KIT13561	*	1	KIT; FULL PERIMETER ROOF MOUNTING CURB (BAYCURB050AA)
KIT13563	*	1	KIT; OUTSIDE AIR, 2 POS DAMPER (BAYDMPR101AA)
KIT13565	*	1	KIT; EXTREME CURB MOUNTING (BAYEXMK001AA)
KIT13567	*	1	KIT; EXTREME CURB MOUNTING (BAYEXMK003AA)
KIT13568	*	1	KIT; LP CONVERSION (BAYLPKT100AA)
KIT13571	*	1	KIT; OUTSIDE AIR, MANUAL DAMPER (BAYOSAH001AA)
KIT13574	*	1	KIT; QUICK START (BAYQSTK301AA)
KIT13575	*	1	KIT; SQUARE/ROUND DUCT ADAPTER (BAYSQRD001AA)
KIT13576	*	1	KIT; SQUARE/ROUND DUCT ADAPTER (BAYSQRD002AA)
KIT13640	*	1	KIT; LOW AMBIENT COOLING, HEAD PRESSURE CONTROL (BAYLOAM105AA)
KIT15096	*	1	KIT; FILTER FRAME (BAYFLTR101BA). USE ONE 20 X 25 FILTER - NOT INCLUDED.
KIT15141	*	1	KIT; ACCESS DOOR, 1-1/2 TO 3 TON MODELS (BAYACCDOR1AA)
KIT15323	*	1	KIT; EXTREME CURB MOUNTING (BAYEXMK002BA)
KIT15325	*	1	KIT; SQUARE/ROUND DUCT ADAPTER (BAYUTIL101BA)
KIT15403	*	1	KIT; ECONOMIZER, HINGED FILTER ACCESS DOOR AND FILTER FRAME (BAYECONCOMB101A)
TMR00140	*	1	TIMER; ANTISHORT CYCLE (BAYASCT001)