

Part No.	Reference No.	Quantity	Description
0000204189~S	*		BLOWER ASSEMBLY
0000204186~S	*		CABINET
0000204194~S	*		CONTROL BOX
0000204224~S	*		FAN & MOTOR
0000204250~S	*		GENERAL ASSEMBLY
0000096937~S	*		MODEL NUMBER DESCRIPTION
0000204245~S	*		REFRIGERATION

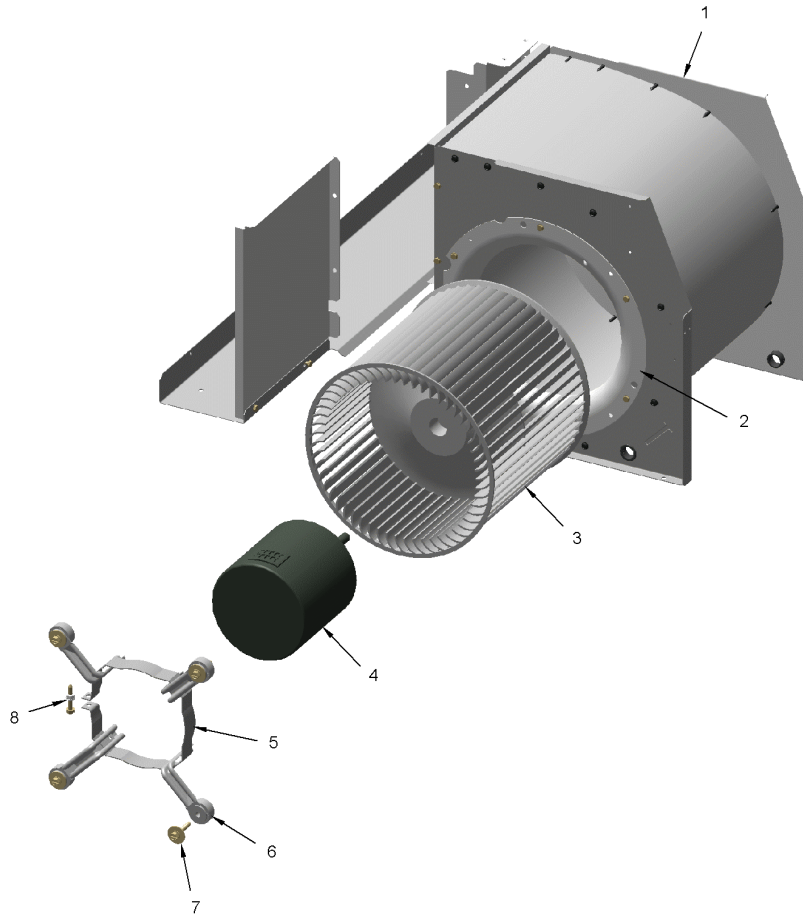
Part No.	Reference No.	Quantity	Description
000051789~P	*		BLOWER ASSEMBLY PARTS LIST

BLOWER

75010920

REV.
A

TYPICAL ILLUSTRATION



Part No.	Reference No.	Quantity	Description
ARM00196		4	ARM; MOTOR MOUNT, INCLUDES GROMMET.
GKT01725		1	GASKET;27.00 X 3.75 X .25
SCR00981		14	SCREW, 10-16 AB HXW 1/2 S
SCR00995		20	SCREW; 10-16 AB HXW 3/4 S N
SCR02112		4	SCREW; ASSEMBLY-MOTOR MOUNT
ORF00613	2	1	ORIFICE; BLOWER ASSEMBLY
WHL02924	3	1	WHEEL; BLOWER, 10.6 IN DIA, 10.6 IN WIDTH, 0.50 IN BORE, CW
MOT20238	4	1	MOTOR; ASM, PROGRAMMED, MOTOR-ID 3/4 208-230/1
BND00026	5	1	BAND; MOTOR MOUNT

Part No.	Reference No.	Quantity	Description
0000051787~P	*		CABINET PARTS LIST

Part No.	Reference No.	Quantity	Description
ANG02130		1	ANGLE; 30.20 X 1.53 X 1.00
CMP00248		1	CLAMP; CABLE
GKT02157		1	GASKET; 10.30 X .50 X .125
GKT02503		1	GASKET;60.00 X 1.00 X .75
GKT02511		1	GASKET;33.42 X .50 X .12
GKT03320		1	GASKET; 31.65 X .75 X .50, FOAMED NITRILE & PVC WITH PRESSURE SENSITIVE ADHESIVE BACKING
GRM00118		1	GROMMET; 3/16 IN ID, NEOPRENE
INS00606		1	INSULATION; 28.10 X 2.50
PNL34830		1	PANEL; CORNER, 28.87 X 2.48 X 1.94
RTR01001		1	RETAINER; CLIP
SCR00981		11	SCREW, 10-16 AB HXW 1/2 S
SCR00999		3	SCREW; 10-16 B HXW 3/8 S
SCR01248		4	SCREW; 10-16 AB HX 3/4 S W
SCR01509		27	SCREW; 10-16 AB HXW 3/4 S N
SCR01510		70	SCREW; 10-16 AB HXW 1/2 SN
SCR01511		2	SCREW; 10-16 B HXW 1/2 S
TIE00026		2	TIE; CABLE, 8-1/2IN.
TIE00027		2	TIE; CABLE
ANG00176	1	1	ANGLE; DUCT, 1.08 X 27.40 X 0.70
PNL34833	2	1	PANEL; INDOOR COIL ACCESS, 28.93 X 21.35
CNL00047	3	1	CHANNEL; 1.08 X 2.07 X 27.40
ANG00899	4	1	ANGLE; 1.13 X 29.10 X 2.39
ORF01323	5	1	ORIFICE; FAN, 20.73 ID DIA
COV05374	6	1	COVER; TOP, 44.10 X 31.72
PNL34836	7	1	PANEL; POWER ENTRY, 28.87 X 10.81
PNL34832	8	1	PANEL; CONTROL BOX ACCESS, 11.27 X 11.35
SUP02752	9	1	SUPPORT; SENSOR, BLACK PLASTIC, 0.50 X 1.68 X 3.10
BRK05223	10	1	BRACKET;
PNL34831	11	1	PANEL; INDOOR COIL ACCESS, 18.30 X 11.33
GRD01419	12	1	GUARD; COIL, 28.10 X 28.00, BLACK
GRD01417	13	1	GUARD; COIL, WIRE, 28.60 X 15.69, BLACK

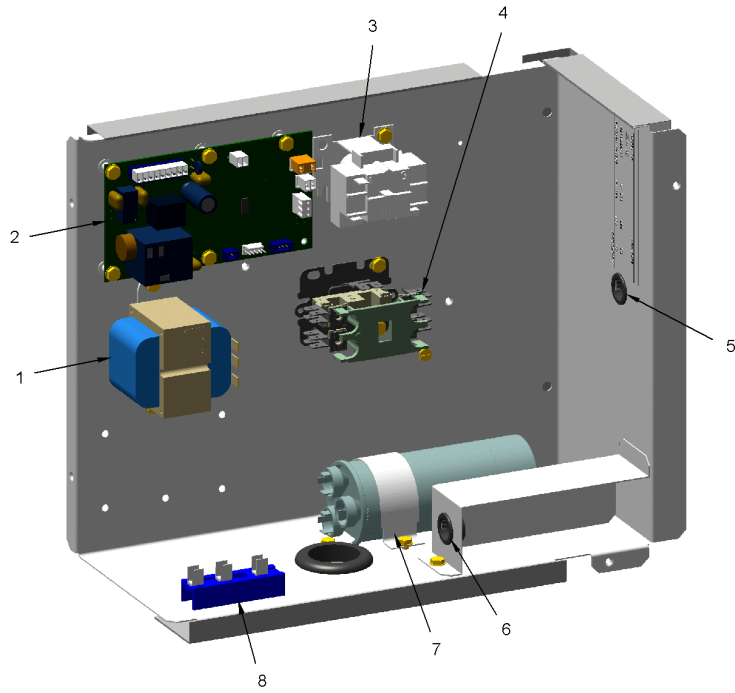
Part No.	Reference No.	Quantity	Description
000051793~P	*		CONTROL BOX PARTS LIST

CONTROLS

75010918

REV.
A

TYPICAL ILLUSTRATION



Part No.	Reference No.	Quantity	Description
CON00241		2	CONNECTOR; WIRE
INS00306		1	INSULATION;
RCT00062		1	RECEPTACLE; CONNECTOR, 6 PIN, POLARIZED, MALE
RES00171		1	RESISTOR; THERMISTOR, BLACK (OUTDOOR AIR SENSOR OR AMBIENT SENSOR)
RES00843		1	RESISTOR; 9.750 K OHMS
SCR01000		1	SCREW; 6-20 B PH 1/2 S
SCR01918		1	SCREW, 10-24 THREAD ROLL, INDENT HEX WASHER HD
SCR01924		5	SCREW; 6-32 X .75, THREAD ROLLING SCREWS-ZINC PLATED, HEX WASHER
SRP00093		1	STRAP;CAPACITOR
TER00312		1	TERMINAL; 8IN. TIE CABLE
TER00312		8	TERMINAL; 8IN. TIE CABLE
TIE00027		4	TIE; CABLE
WIR00767		2	WIRE; SPLICE
WIR05172		1	WIRE; HARNESS, HEATER PLUG
TRR01898	1	1	TRANSFORMER; 50VA, 208/240V PRI, 24V SEC
RLY01384	3	1	RELAY; 240/480V, 24V COIL
CTR01010	4	1	CONTACTOR; 35 AMP, 1 POLE W/ SHUNT, 24V COIL
SCR00998	4a	9	SCREW; 10-16 B HXW 1/2 S
BUS00317	5	2	BUSHING; SNAP
CPT02381	7	1	CAPACITOR; RUN, 45 MFD, 440 VAC, ROUND, W/O RESISTOR
BRD00385	8	1	BOARD; TERMINAL, FAN, 24V, 3 POLE

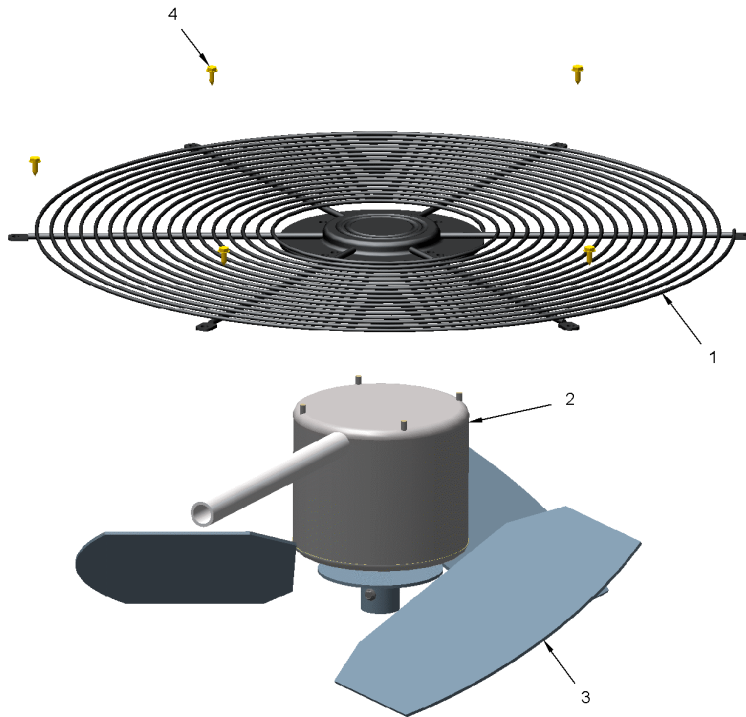
Part No.	Reference No.	Quantity	Description
000052107~P	*		FAN & MOTOR PARTS LIST

FAN

75010925

REV.
A

TYPICAL ILLUSTRATION



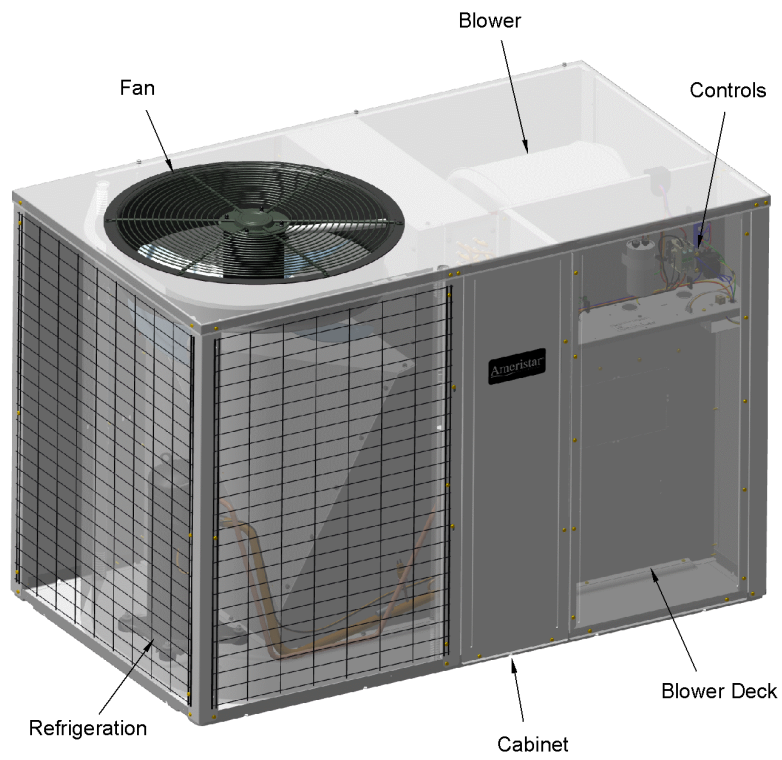
Part No.	Reference No.	Quantity	Description
GRD01942		1	GUARD; FAN, 23.35 MOUNTING DIA
NUT00845		4	NUT; FLANGE NIBBED
MOT17076	2	1	MOTOR; OUTDOOR, VARIABLE SPEED, 1/3 HP, 200-230/60/1, 850/520 RPM, CW (OPE), 48 FRAME, BALL BEARINGS
FAN03552	3	1	FAN; 3 BLADE, 20 IN DIA, 34 DEG PITCH, .5 IN BORE, CW

Part No.	Reference No.	Quantity	Description
000008320~P	*		GENERAL ASSEMBLY GRAPHIC

14 SEER PACKAGED UNIT

75013624

REV
B

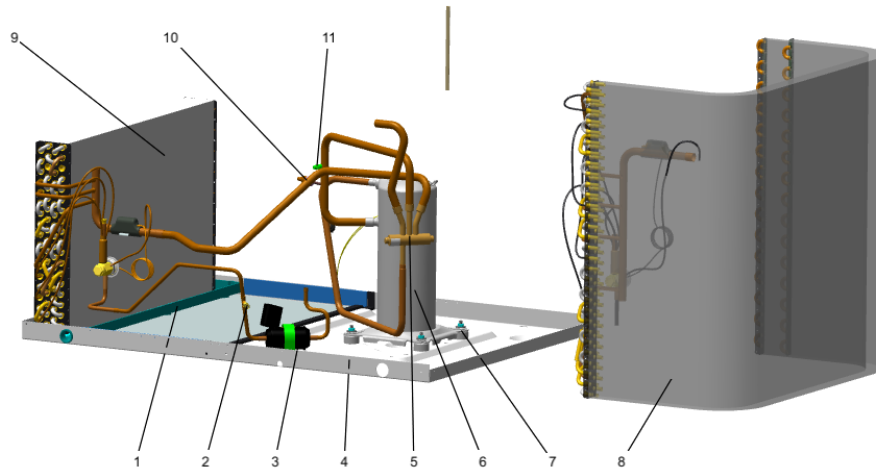


This is a typical illustration. The unit in the field may not appear exactly as shown.

Part No.	Reference No.	Quantity	Description
000008616~P	*		MODEL NUMBER GRAPHIC

MODEL NUMBER DESCRIPTION	75011470	REV C
PACKAGED UNITS		
<i>Example Model Number:</i> 4 Y C Y 5 0 4 8 A 1 0 9 0 A A <small>1 - - - 5 - - - 10 - - - 15</small>		
Digit 1 – Refrigerant 4 = R-410A		
Digit 2 – Type Y = Gas Electric W = Heat Pump D = Dual Fuel T = Air Conditioner		
Digit 3 – Model Tier C = Convertible H = Horizontal (only)		
Digit 4 – Model Tier C = Entry Level X = Upgrade Y = Premium Z = Leadership - (2-Stage) A = RunTru Brand		
Digit 5 – Efficiency Tier 3 = 13 SEER 4 = 14 SEER 5 = 15 SEER 6 = 16 SEER		
Digits 6,7,8 – Capacity in 1000's (BTUH) 018 042 024 048 030 060 036		
Digit 9 – Major Design Change		
Digit 10 – Voltage & Phase 1 = 230V 1 Phase 3 = 230V 3 Phase 4 = 460V 3 Phase		
Digit 11,12,13 – Gas Heat Input (MBTU/H) 000 (AC or HP) 075 040 096 064 120		
Digit 14 – Minor Design Change		
Digit 15 – Service Digit - Not Orderable		
1 of 1		

Part No.	Reference No.	Quantity	Description
0000051811~P	*		REFRIGERANT PARTS LIST



Part No.	Reference No.	Quantity	Description
BAF00111		1	BAFFLE; INDOOR COIL, 27.76 X 0.50 X 6.00
BLT00809		4	BOLT; CARRIAGE, 5/16-18 X 1-3/4
BRK00909		2	BRACKET; INDOOR COIL BAFFLE, 2.13 X 2.13 (4 HOLES)
CAP00455		2	CAP; HUB, 7/16-20 STRAIGHT
CLP00223		1	CLIP; BULB
CON00241		2	CONNECTOR; WIRE
COR00103		2	CORE; VALVE, .79 LENGTH, .206-36 UNS-1 MOD. THD
DST00894		1	DISTRIBUTOR; 4 OUTLETS, 19 ODS, .50 ODM INLET, BRASS
DST00895		1	DISTRIBUTOR; 5 OUTLETS, 19 ODS, .50 ODM INLET, BRASS
GKT03404		1	GASKET; 29.00 X 1.50 X .19
GRD01026		1	GUARD; EDGE TRIM, 8.00 IN LENGTH
INS00306		1	INSULATION;
NUT00355		4	NUT; HEX, LOCK, 5/16IN.-18
NUT00890		4	NUT; PALLET, 5/16-18 UNC 2B THD.
RES00843		1	RESISTOR; 9.750 K OHMS
RNG01088		0	RING; BRAZE
RNG01088		2	RING; BRAZE
SBA034B1CPA		0	COMPRESSOR SCROLL-#11527
SCR00981		1	SCREW, 10-16 AB HXW 1/2 S
SCR00981		8	SCREW, 10-16 AB HXW 1/2 S
SEN01370		1	SENSOR; ASSEMBLY, 9.75 K RESISTANCE OHMS AT 75 DEG F, YELLOW WIRES, 73 IN AND 75 IN
SWT03542		1	SWITCH; HIGH PRESSURE, SPST, OPEN @ 650 PSIG, CLOSE @ 500 PSIG, BRAZED
TER00312		1	TERMINAL; 8IN. TIE CABLE
TIE00027		1	TIE; CABLE
TIE00027		4	TIE; CABLE
VAL19950		1	VALVE; HXCE 2 ZX - 3X4 ODF
VAL19957		1	VALVE; HXCE 3 KX200
WAS00638		4	WASHER; FLAT, 5/16 INCH
WIR00767		2	WIRE; SPLICE
WIR03319		1	WIRE; PLUG, SCROLL COMPRESSOR, 38 INCH LENGTH.
PAN00898	1	1	PAN; DRAIN, PLASTIC, WITH GASKET, 31 X 6
TEE00095	2	1	TEE; COPPER
VAL01483	2a	1	VALVE; BODY, .44-20 THD X .25 ODS, STRAIGHT, BRASS, LESS CORE
DHY01451	3	1	DRIER; BI-FLOW; SERVICE FIRST; 8 CU. IN; DCB083S, 3/8 ODF CONNECTIONS; 2.3 TON CAPACITY; APPROVED FOR MINERAL OIL AND POE OIL REFRIGERANTS; MANUFACTUR
PAN03293	4	1	PAN; BASE
VAL08957	5	1	VALVE; SWITCHOVER, 6 TON, .75 ID X .50 OD, (INCLUDES SOLENOID COIL)
COM11527	6	1	COMPRESSOR; SCROLL, ALLIANCE, SBA034B1CPZ, 3.0 TON, 34,000 BTUH, 208/230-60-1, R410-A, BRAZED, SUCTION 7/8, DISCHARGE 1/2, RLA 18.6
KIT08039	7	4	KIT; GROMMETS. COMPRESSOR MOUNTING. (CONSISTS OF 4), 0.44 ID X 1.63 OD NEOPRENE RUBBER-BLACK 45-55 DUROMETER
COL25562	8	1	COIL; OUTDOOR, FLAT FIN, 59.04 X 30.13
COL25558	9	1	COIL; INDOOR, FLAT FIN, 28.10 X 18.14
SWT04689	10	1	SWITCH; LOW PRESSURE BZ
BOD00114	11	1	BODY; VALVE, BRASS, 7/16 HEX, 7/16 -20 UNF-2A