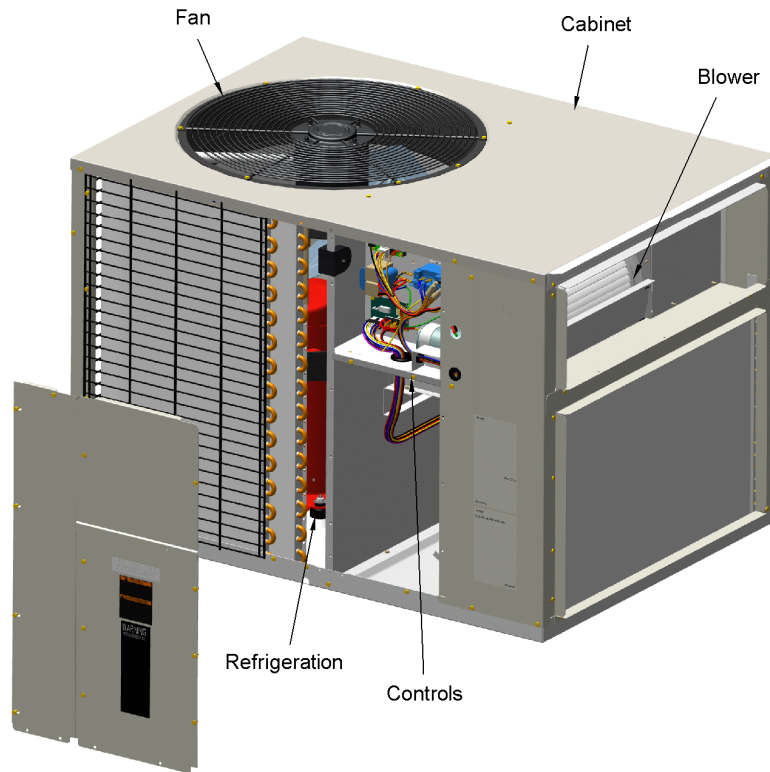


PACKAGED HEAT PUMP

75012148

REV.  
A



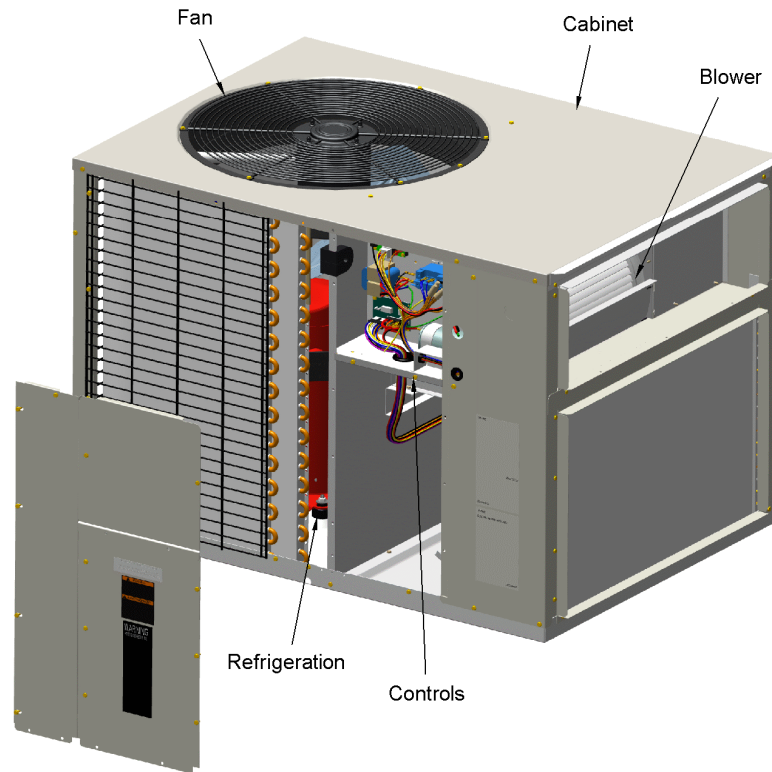
This is a typical illustration. The unit in the field may not appear exactly as shown.

Part No.	Reference No.	Quantity	Description
75012148_4WHC4UP2_124900~ P	*		14 SEER PACKAGED HEAT PUMP PARTS LIST
75010920#4WHC4UP2~S	*		BLOWER
75012149#4WHC4UP2~S	*		CABINET
75010917#4WHC4UP2~S	*		COMPRESSOR & INDOOR COIL
75010918#4WHC4UP2~S	*		CONTROLS
75010925#4WHC4UP2~S	*		FAN
75011470#4WHC4UP2~S	*		MODEL NUMBER DESCRIPTION
NGRAPHIC#4WHC4UP2~S	*		OPTIONAL EQUIPMENT
75010923#4WHC4UP2~S	*		OUTDOOR COIL

PACKAGED HEAT PUMP

75012148

REV.  
A

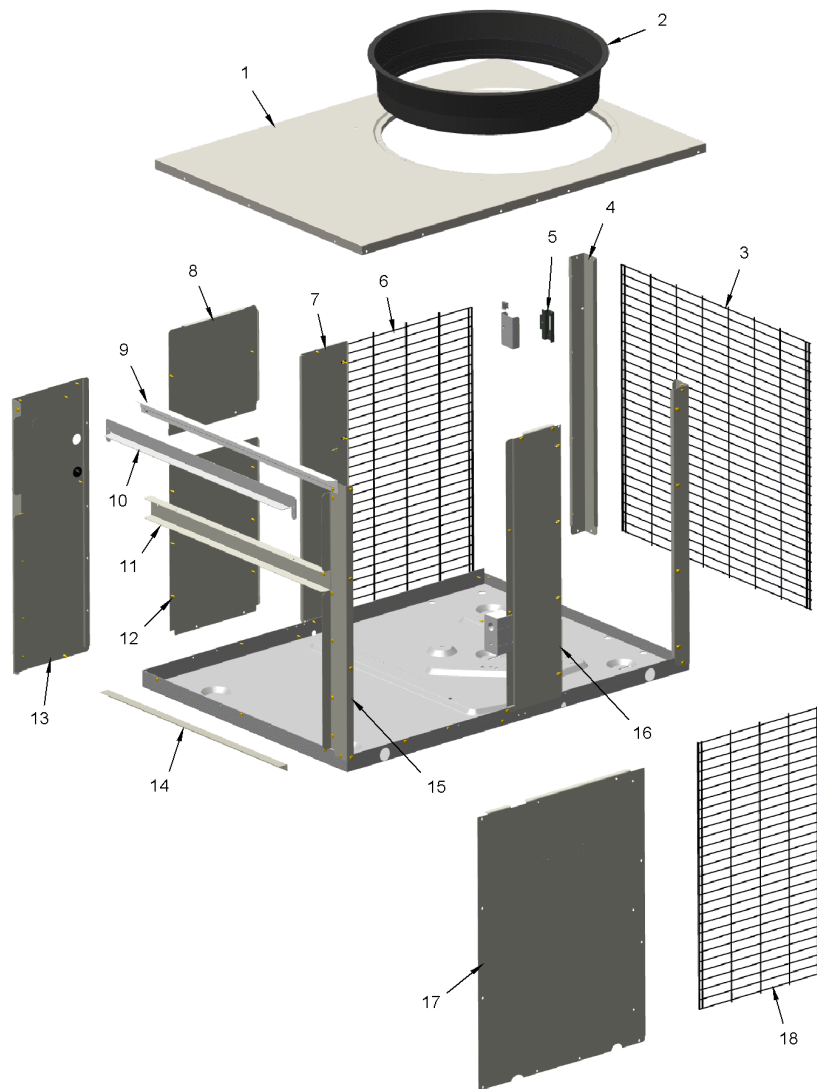


This is a typical illustration. The unit in the field may not appear exactly as shown.

CABINET

75012149

REV.  
A



This is a typical illustration. The unit in the field may not appear exactly as shown.

Parts List Number :75012148#4WHC4UP2

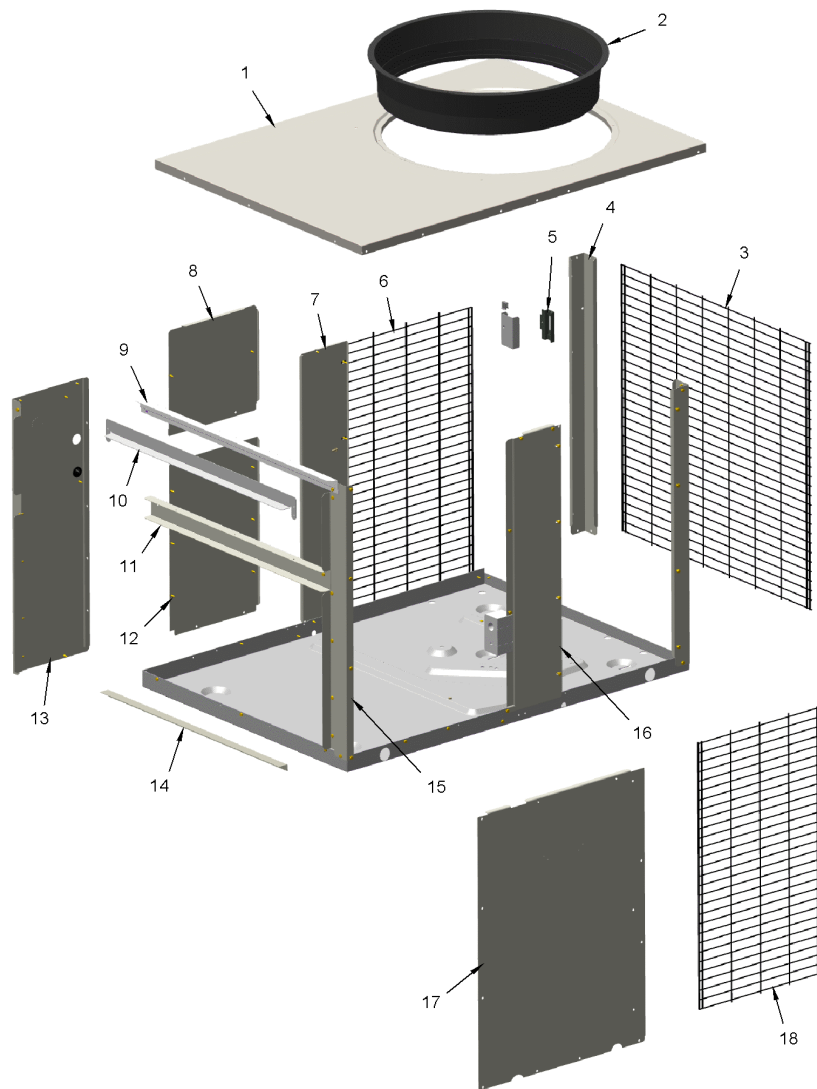
Model Number :4WHC4024A1000BA

Part No.	Reference No.	Quantity	Description
75012149_4WHC4UP2_252598~ P	*		CABINET PARTS LIST

CABINET

75012149

REV.  
A



This is a typical illustration. The unit in the field may not appear exactly as shown.

Part No.	Reference No.	Quantity	Description
PAI00207	*	1	PAINT; SPINNAKER GRAY (SHIPPING UOM 12 OZ HAZ) SPRAY CAN
PLT01793	*	1	PLATE; NAME, TRANE, 6.00 X 2.49 (STICKER)
COV05374	1	1	COVER; TOP, 44.10 X 31.72
ORF01323	2	1	ORIFICE; FAN, 20.73 ID DIA
GRD01419	3	1	GUARD; COIL, 28.10 X 28.00, BLACK
PNL34829	4	2	PANEL; CORNER, 29.30 X 2.00 X 2.00
SUP02752	5	1	SUPPORT; SENSOR, BLACK PLASTIC, 0.50 X 1.68 X 3.10
GRD01418	6	1	GUARD; COIL, WIRE, 28.60 X 11.34, BLACK
PNL34835	7	1	PANEL; INDOOR/OUTDOOR, 28.80 X 11.40
PNL34832	8	1	PANEL; CONTROL BOX ACCESS, 11.27 X 11.35
ANG00899	9	1	ANGLE; 1.13 X 29.10 X 2.39
ANG02130	10	1	ANGLE; 30.20 X 1.53 X 1.00
CNL00047	11	1	CHANNEL; 1.08 X 2.07 X 27.40
PNL34831	12	1	PANEL; INDOOR COIL ACCESS, 18.30 X 11.33
GRM00118	13	1	GROMMET; 3/16 IN ID, NEOPRENE
PNL34836	13	1	PANEL; POWER ENTRY, 28.87 X 10.81
ANG00176	14	1	ANGLE; DUCT, 1.08 X 27.40 X 0.70
PNL34830	15	1	PANEL; CORNER, 28.87 X 2.48 X 1.94
PNL34838	16	1	PANEL; SERVICE VALVE, 28.80 X 7.00
PNL34833	17	1	PANEL; INDOOR COIL ACCESS, 28.93 X 21.35
GRD01417	18	1	GUARD; COIL, WIRE, 28.60 X 15.69, BLACK

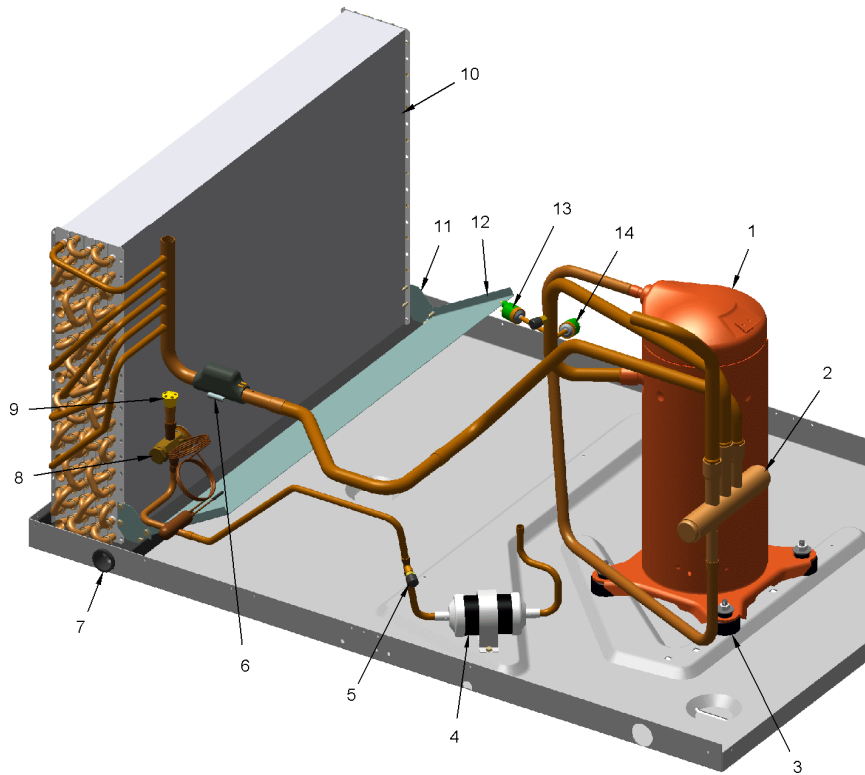
COMPRESSOR & INDOOR COIL

75010917

REV  
A

TYPICAL ILLUSTRATION

Items 11 & 12 are for 4WHC4042 only.



Parts List Number :75012148#4WHC4UP2

Model Number :4WHC4024A1000BA

Part No.	Reference No.	Quantity	Description
75010917_4WHC4UP2_388266~ P	*		COMPRESSOR & INDOOR COIL PARTS LIST

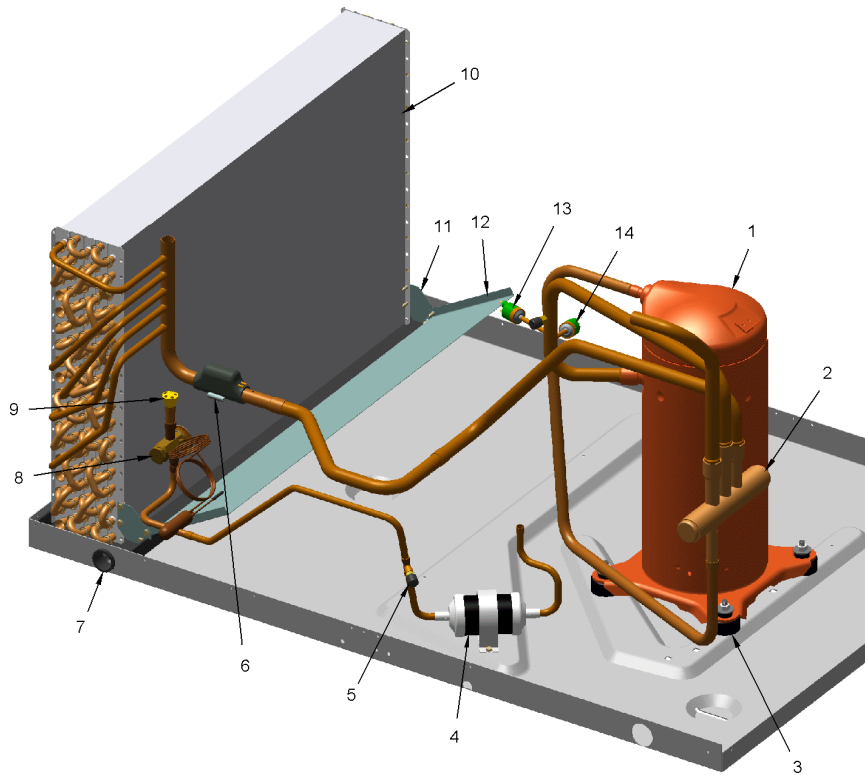
COMPRESSOR & INDOOR COIL

75010917

REV.  
A

TYPICAL ILLUSTRATION

Items 11 & 12 are for 4WHC4042 only.



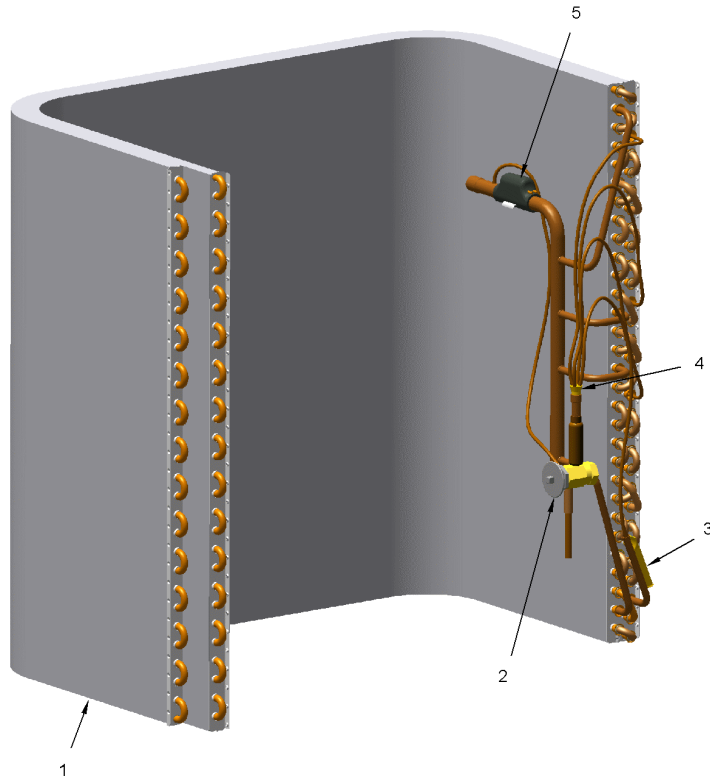
Part No.	Reference No.	Quantity	Description
WIR03319	*	1	WIRE; PLUG, SCROLL COMPRESSOR, 38 INCH LENGTH.
COM11524	1	1	COMPRESSOR; SCROLL, ALLIANCE, SBA020C1CPZ, 1.75 TON, 20,000 BTUH, 208/230-60-1, R410-A, BRAZED, SUCTION 3/4, DISCHARGE 1/2, RLA 12.1
VAL08991	2	1	VALVE; SWITCHOVER, 3 TON, .50 IDF X .75 OD, W/ 24V SOLENOID COIL
BLT00809	3	4	BOLT; CARRIAGE, 5/16-18 X 1-3/4
ISR00007	3	4	ISOLATOR; VIBRATION
NUT00355	3	4	NUT; HEX, LOCK, 5/16IN.-18
NUT00890	3	4	NUT; PALLET, 5/16-18 UNC 2B THD.
WAS00638	3	4	WASHER; FLAT, 5/16 INCH
DHY01451	4	1	DRIER; BI-FLOW; SERVICE FIRST; 8 CU. IN; DCB083S, 3/8 ODF CONNECTIONS; 2.3 TON CAPACITY; APPROVED FOR MINERAL OIL AND POE OIL REFRIGERANTS; MANUFACTUR
CAP00455	5	2	CAP; HUB, 7/16-20 STRAIGHT
COR00006	5	2	CORE; VALVE PORT, .79 LENGTH, .206-36 UNS 2A THD
VAL01483	5	1	VALVE; BODY, .44-20 THD X .25 ODS, STRAIGHT, BRASS, LESS CORE
CLP00223	6	1	CLIP; BULB
GKT03404	7	1	GASKET; 29.00 X 1.50 X .19
PAN00898	7	1	PAN; DRAIN, PLASTIC, WITH GASKET, 31 X 6
VAL11972	8	1	VALVE; EXPANSION, 2 TON, 3/8 INLET X 1/2 OUTLET, 200/87 PSIG, INTERNALLY CHECKED, WITH STRAINER, R410A
DST00893	9	1	DISTRIBUTOR; 3 OUTLETS, 19 ODS, .50 ODM INLET, BRASS
COL25561	10	1	COIL; INDOOR, FLAT FIN, 28.10 X 18.13
BOD00114	13	1	BODY; VALVE, BRASS, 7/16 HEX, 7/16 -20 UNF-2A
SWT03892	13	1	SWITCH; LOW PRESSURE, 35 PSIG OPEN, 55 PSIG RESET SWITCH
SWT03542	14	1	SWITCH; HIGH PRESSURE, SPST, OPEN @ 650 PSIG, CLOSE @ 500 PSIG, BRAZED

OUTDOOR COIL

75010923

REV.  
A

TYPICAL ILLUSTRATION



OUTDOOR COIL

Parts List Number :75012148#4WHC4UP2

Model Number :4WHC4024A1000BA

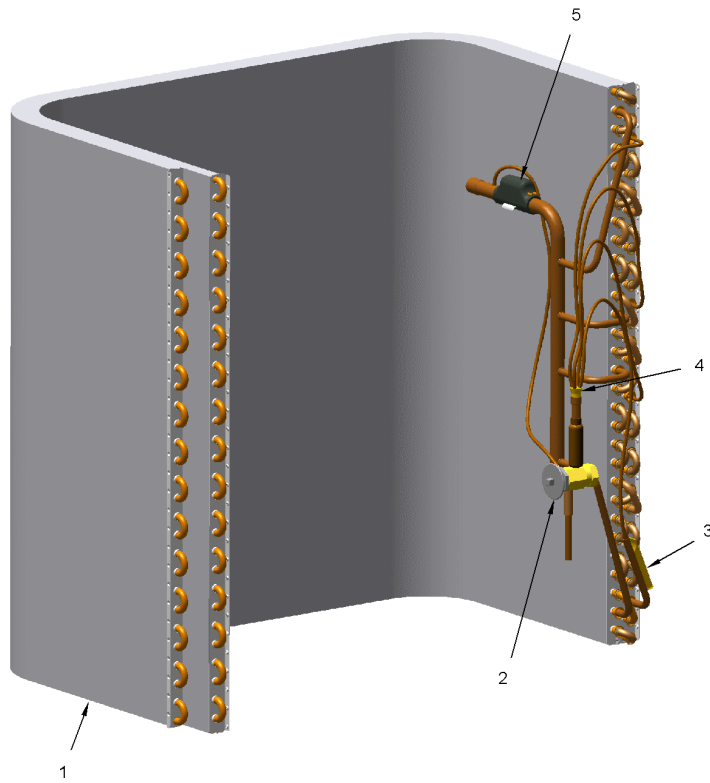
Part No.	Reference No.	Quantity	Description
75010923_4WHC4UP2_388269~ P	*		OUTDOOR COIL PARTS LIST

OUTDOOR COIL

75010923

REV.  
A

TYPICAL ILLUSTRATION



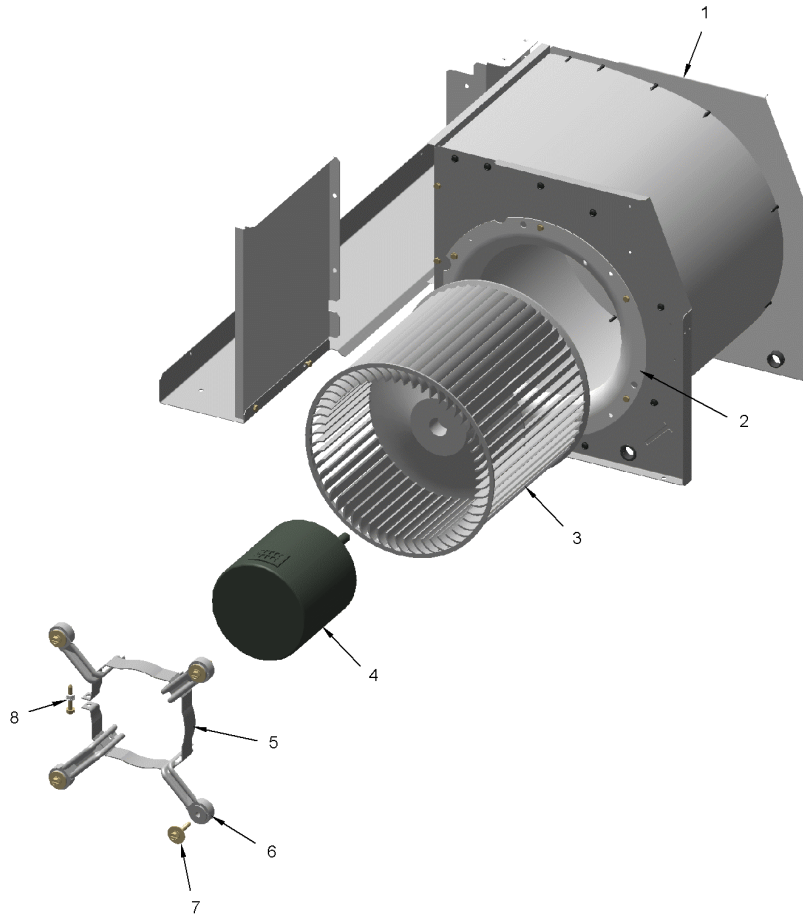
Part No.	Reference No.	Quantity	Description
COL25565	1	1	COIL; OUTDOOR, FLAT FIN, 54.54 X 30.13
VAL11973	2	1	VALVE; EXPANSION, 1 TON, 3/8 INLET X 1/2 OUTLET, 200/92 PSIG, INTERNALLY CHECKED, WITH STRAINER, R410A
SEN01370	3	1	SENSOR; ASSEMBLY, 9.75 K RESISTANCE OHMS AT 75 DEG F, YELLOW WIRES, 73 IN AND 75 IN
DST00894	4	1	DISTRIBUTOR; 4 OUTLETS, 19 ODS, .50 ODM INLET, BRASS
CLP00223	5	1	CLIP; BULB

BLOWER

75010920

REV.  
A

TYPICAL ILLUSTRATION



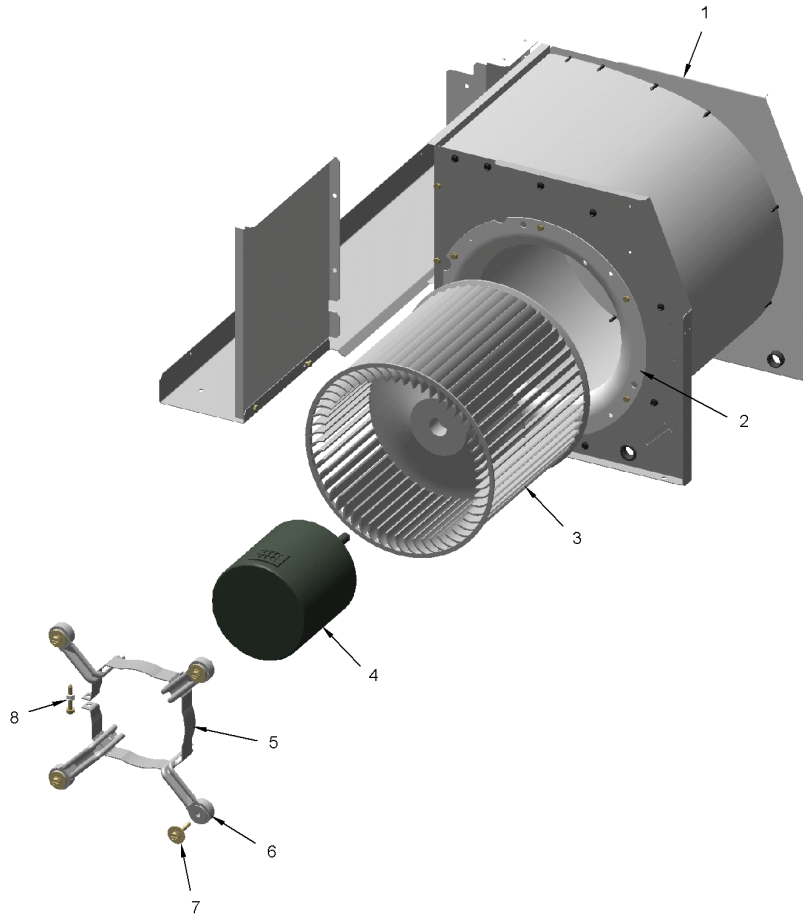
Part No.	Reference No.	Quantity	Description
75010920_4WHC4UP2_388268~ P	*		BLOWER PARTS LIST

BLOWER

75010920

REV.  
A

TYPICAL ILLUSTRATION



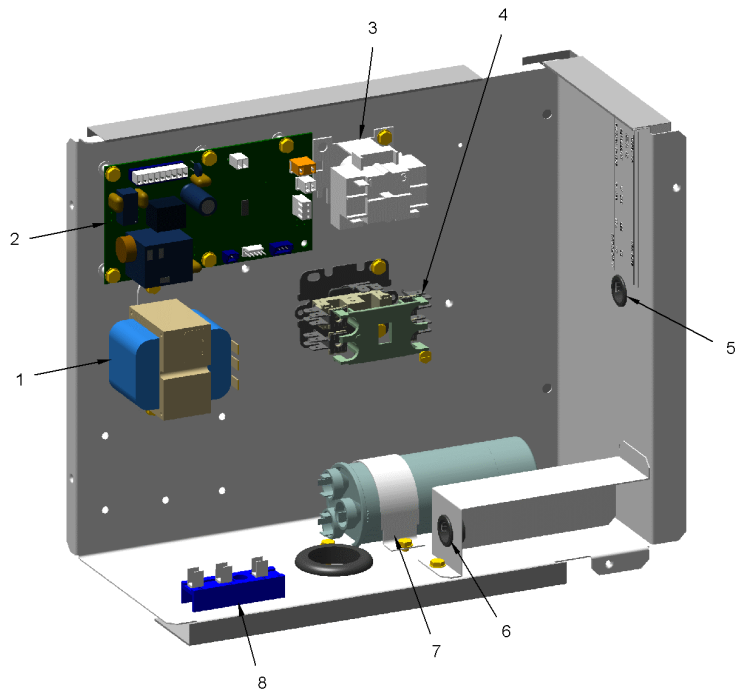
Part No.	Reference No.	Quantity	Description
BUS00314	*	2	BUSHING; SNAP
SCR00981	*	14	SCREW, 10-16 AB HXW 1/2 S
SCR00995	*	20	SCREW; 10-16 AB HXW 3/4 S N
HUS03803	1	1	HOUSING; BLOWER
ORF00613	2	1	ORIFICE; BLOWER ASSEMBLY
WHL02559	3	1	WHEEL; BLOWER, 48 BLADES, CW VIEWING HUB, CONCAVE DISC, 10.62 X 10.68
MOT17062	4	1	MOTOR; CONSTANT TORQUE, PROGRAMMED, 1/2 HP, 208-230/60/1, 48 FRAME, BALL BEARING
BND00026	5	1	BAND; MOTOR MOUNT
ARM00196	6	4	ARM; MOTOR MOUNT, INCLUDES GROMMET.
SCR02112	7	4	SCREW; ASSEMBLY-MOTOR MOUNT
NUT00487	8	1	NUT; STEEL HEX, 1/4-20
SCR01584	8	1	BOLT; 1/4-20 MA HX 1.5 S
WAS00646	8	1	WASHER; STEEL SPRING LOCK, 1/4 INCH

CONTROLS

75010918

REV.  
A

TYPICAL ILLUSTRATION



Parts List Number :75012148#4WHC4UP2

Model Number :4WHC4024A1000BA

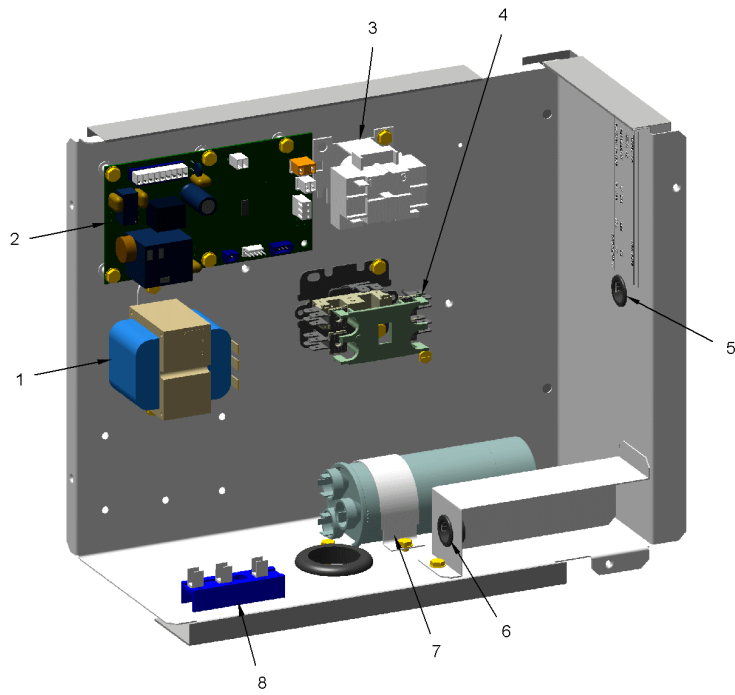
Part No.	Reference No.	Quantity	Description
75010918_4WHC4UP2_388267~ P	*		CONTROLS PARTS LIST

CONTROLS

75010918

REV.  
A

TYPICAL ILLUSTRATION



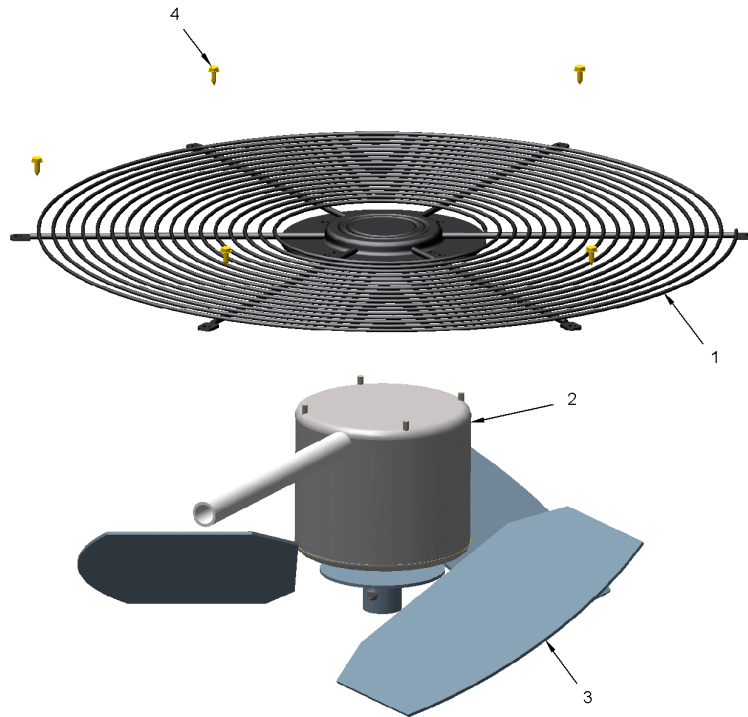
Part No.	Reference No.	Quantity	Description
RCT00062	*	1	RECEPTACLE; CONNECTOR, 6 PIN, POLARIZED, MALE
RES00171	*	1	RESISTOR; THERMISTOR, BLACK (OUTDOOR AIR SENSOR OR AMBIENT SENSOR)
WIR05175	*	1	WIRE; HARNESS, HEATER PLUG. INCLUDES RCT00062 - 6 PIN CONNECTOR; PIN #2-(BR), PIN #3(OR)
WIR07885	*	1	WIRE; HARNESS, CONTROLS, INCLUDES HI AND LOW VOLT MOTOR HARNESS
TRR01898	1	1	TRANSFORMER; 50VA, 208/240V PRI, 24V SEC
CNT07360	2	1	CONTROL; TOP ASSY DEFROST
RLY01384	3	1	RELAY; 240/480V, 24V COIL
CTR01010	4	1	CONTACTOR; 35 AMP, 1 POLE W/ SHUNT, 24V COIL
SCR00998	4	1	SCREW; 10-16 B HXW 1/2 S
BUS00317	5	1	BUSHING; SNAP
BUS00317	6	1	BUSHING; SNAP
CPT01248	7	1	CAPACITOR; DUAL, 35/7.5 MFD, 440V, ROUND, W/O RESISTOR
BRD00385	8	1	BOARD; TERMINAL, FAN, 24V, 3 POLE

FAN

75010925

REV.  
A

TYPICAL ILLUSTRATION



Parts List Number :75012148#4WHC4UP2

Model Number :4WHC4024A1000BA

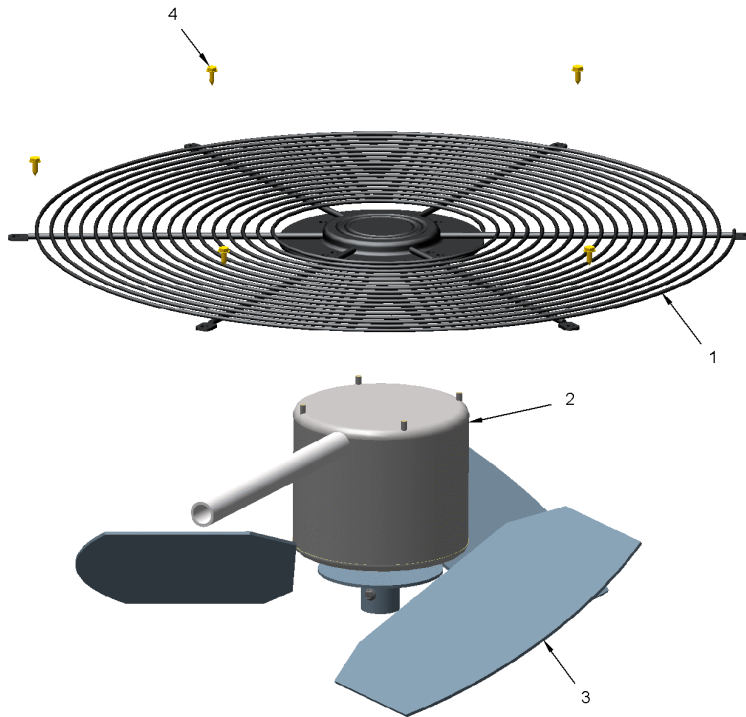
Part No.	Reference No.	Quantity	Description
75010925_4WHC4UP2_252597~ P	*		FAN PARTS LIST

FAN

75010925

REV.  
A

TYPICAL ILLUSTRATION



Parts List Number :75012148#4WHC4UP2

Model Number :4WHC4024A1000BA

<b>Part No.</b>	<b>Reference No.</b>	<b>Quantity</b>	<b>Description</b>
SCR02086	*	4	SCREW; 10-32 TR-3 HXW 3/8 S
GRD01666	1	1	GUARD; FAN, 23.35 MOUNTING DIA
MOT12931	2	1	MOTOR; 1/5 HP, 208-230/200/60/1, 850 RPM, CW, TYPE PSC, 48 FRAME, SLEEVE BEARINGS, 7.5 MFD AT 370V, SHAFT UP
FAN03552	3	1	FAN; 3 BLADE, 20 IN DIA, 34 DEG PITCH, .5 IN BORE, CW
SCR01510	4	6	SCREW; 10-16 AB HXW 1/2 SN

OPTIONAL EQUIPMENT

Parts List Number :75012148#4WHC4UP2

Model Number :4WHC4024A1000BA

Part No.	Reference No.	Quantity	Description
NGRAPHIC_4WHC4UP2_252599 ~P	*		OPTIONAL EQUIPMENT PARTS LIST

NO GRAPHIC AVAILABLE

75013702

REV  
A

**NO  
GRAPHIC  
AVAILABLE**

<b>Part No.</b>	<b>Reference No.</b>	<b>Quantity</b>	<b>Description</b>
HTR04982	*	1	HEATER; ASSEMBLY, COMPLETE (BAYHTRC106AC)
HTR04984	*	1	HEATER; ASSEMBLY, COMPLETE (BAYHTRC111AC)
HTR04986	*	1	HEATER; ASSEMBLY, COMPLETE (BAYHTRC117AC)
KIT03140	*	1	KIT; LOW AMBIENT COOLING, EVAPORATOR DEFROST CONTROL (BAYLOAM011AB)
KIT05354	*	1	KIT; TIME DELAY (TAYASCT501A) - 5 MINUTE RELAY ONLY IS RLY01343
TMR00140	*	1	TIMER; ANTISHORT CYCLE (BAYASCT001)

MODEL NUMBER DESCRIPTION

75011470

RB  
B

PACKAGED UNITS

*Example Model Number:*

**4 Y C Y 5 0 4 8 A 1 0 9 0 A A**  
1 - - - - 5 - - - - 10 - - - - 15

**Digit 1 – Refrigerant**

4 = R-410A

**Digit 2 – Type**

Y = Gas Electric  
W = Heat Pump  
D = Dual Fuel  
T = Air Conditioner

**Digit 3 – Model Tier**

C = Convertible  
H = Horizontal (only)

**Digit 4 – Model Tier**

C = Entry Level  
X = Upgrade  
Y = Premium  
Z = Leadership - (2-Stage)  
A = Ameristar

**Digit 5 – Efficiency Tier**

3 = 13 SEER  
4 = 14 SEER  
5 = 15 SEER  
6 = 16 SEER

**Digits 6,7,8 – Capacity in 1000's (BTUH)**

018      042  
024      048  
030      060  
036

**Digit 9 – Major Design Change**

**Digit 10 – Voltage & Phase**

1 = 230V 1 Phase  
3 = 230V 3 Phase  
4 = 460V 3 Phase

**Digit 11,12,13 – Gas Heat Input (MBTU/H)**

000 (AC or HP)    075  
040                096  
064                120

**Digit 14 – Minor Design Change**

**Digit 15 – Service Digit - Not Orderable**

Part No.	Reference No.	Quantity	Description
75011470_4WHC4UP2_124914~ P	*		MODEL NUMBER DESCRIPTION PARTS LIST

MODEL NUMBER DESCRIPTION	75011470	REV C
<b>PACKAGED UNITS</b>		
<i>Example Model Number:</i> <b>4 Y C Y 5 0 4 8 A 1 0 9 0 A A</b> <small>1 - - - 5 - - - - 10 - - - - 15</small>		
<b>Digit 1 – Refrigerant</b> 4 = R-410A		
<b>Digit 2 – Type</b> Y = Gas Electric W = Heat Pump D = Dual Fuel T = Air Conditioner		
<b>Digit 3 – Model Tier</b> C = Convertible H = Horizontal (only)		
<b>Digit 4 – Model Tier</b> C = Entry Level X = Upgrade Y = Premium Z = Leadership - (2-Stage) A = RunTru Brand		
<b>Digit 5 – Efficiency Tier</b> 3 = 13 SEER 4 = 14 SEER 5 = 15 SEER 6 = 16 SEER		
<b>Digits 6,7,8 – Capacity in 1000's (BTUH)</b> 018      042 024      048 030      060 036		
<b>Digit 9 – Major Design Change</b>		
<b>Digit 10 – Voltage &amp; Phase</b> 1 = 230V 1 Phase 3 = 230V 3 Phase 4 = 460V 3 Phase		
<b>Digit 11,12,13 – Gas Heat Input (MBTU/H)</b> 000 (AC or HP)    075 040                    096 064                    120		
<b>Digit 14 – Minor Design Change</b>		
<b>Digit 15 – Service Digit - Not Orderable</b>		
1 of 1		

