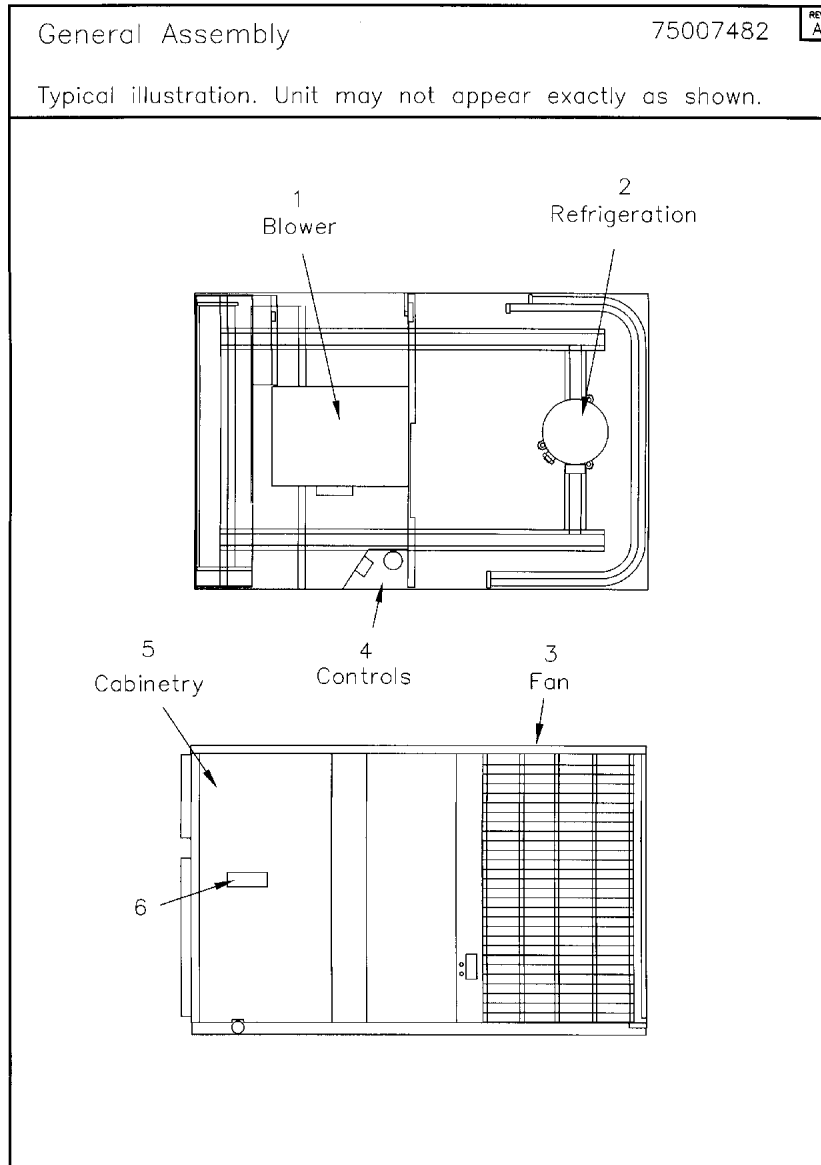


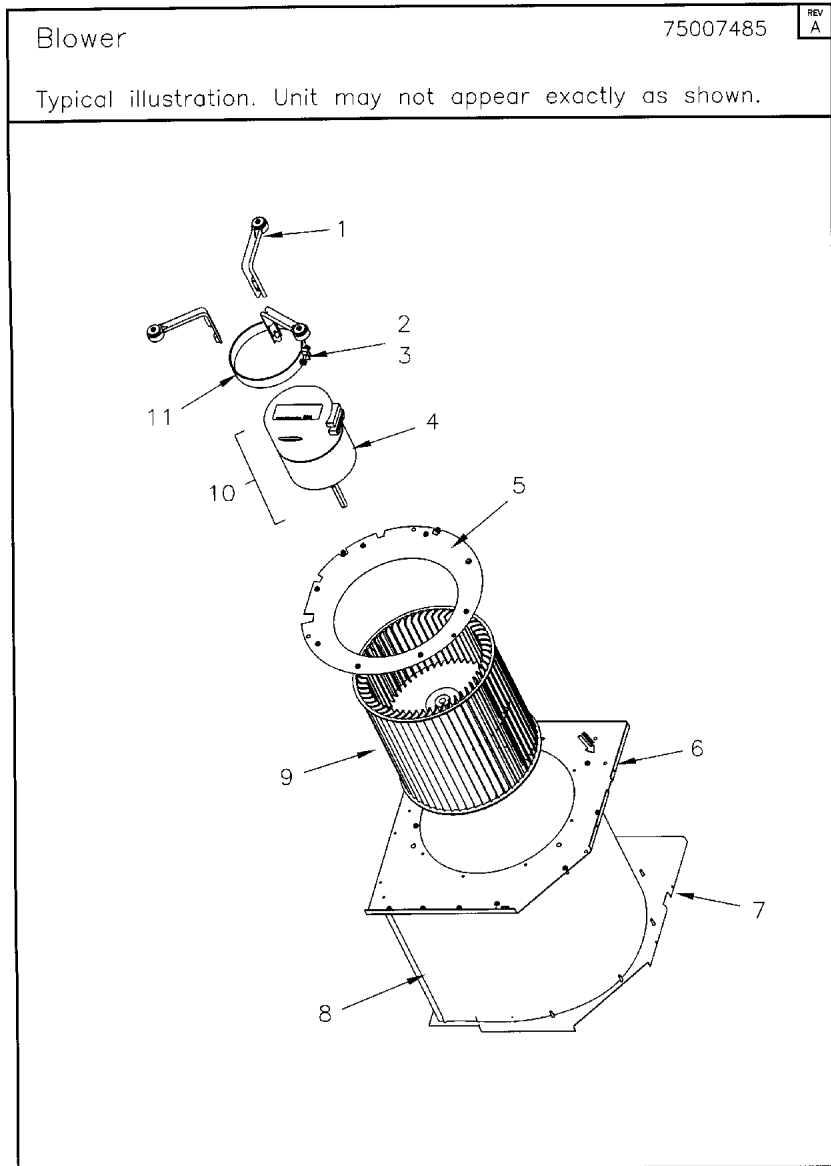
Part No.	Reference No.	Quantity	Description
75007482_4WHC3UP2_132636~ P	*		4WHC3UP2 PARTS LIST
75007485#4WHC3UP2~S	*		BLOWER
75007483#4WHC3UP2~S	*		CABINTRY
75007488#4WHC3UP2~S	*		CONTROLS
75010286#4WHC3UP2~S	*		FAN
75011470#4WHC3UP2~S	*		MODEL NUMBER DESCRIPTION
NGRAPHIC#4WHC3UP2~S	*		OPTIONAL FIELD INSTALLED ACCESSORIES
75007489#4WHC3UP2~S	*		REFRIGERATION



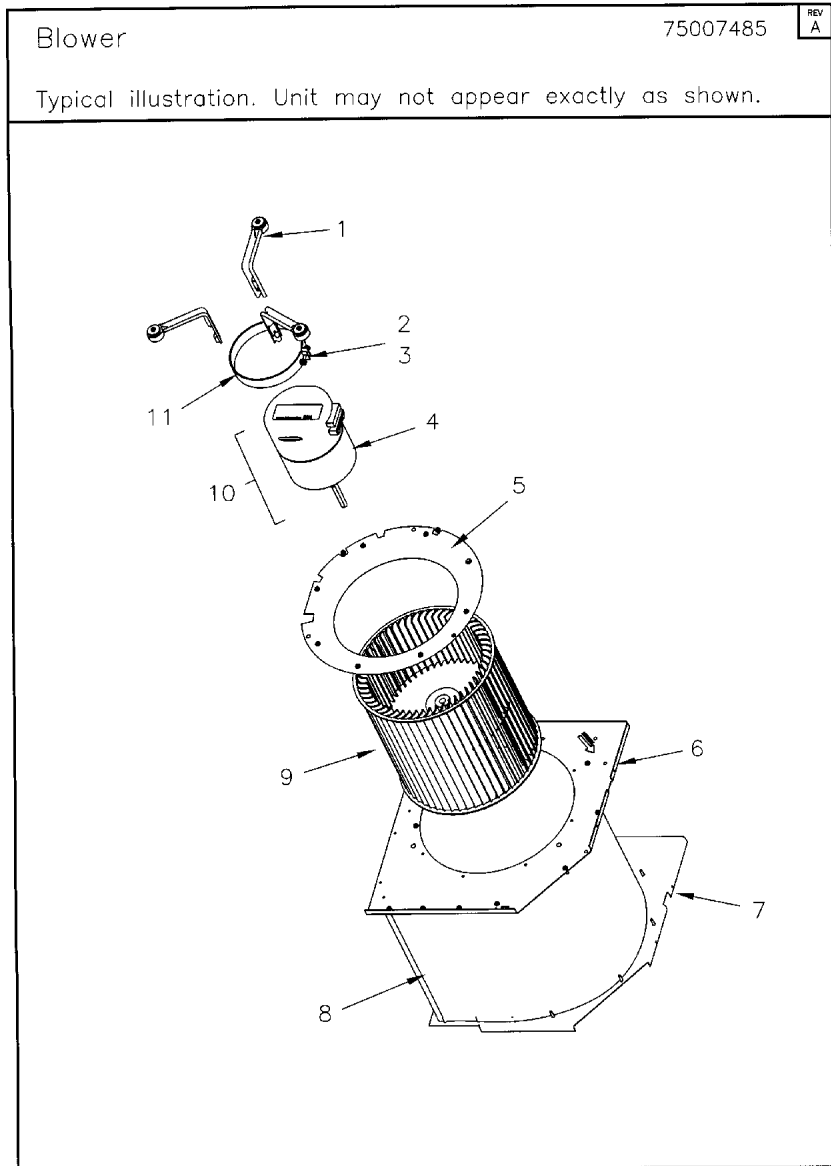
Parts List Number :75007482#4WHC3UP2

Model Number :4WHC3048A1000BA

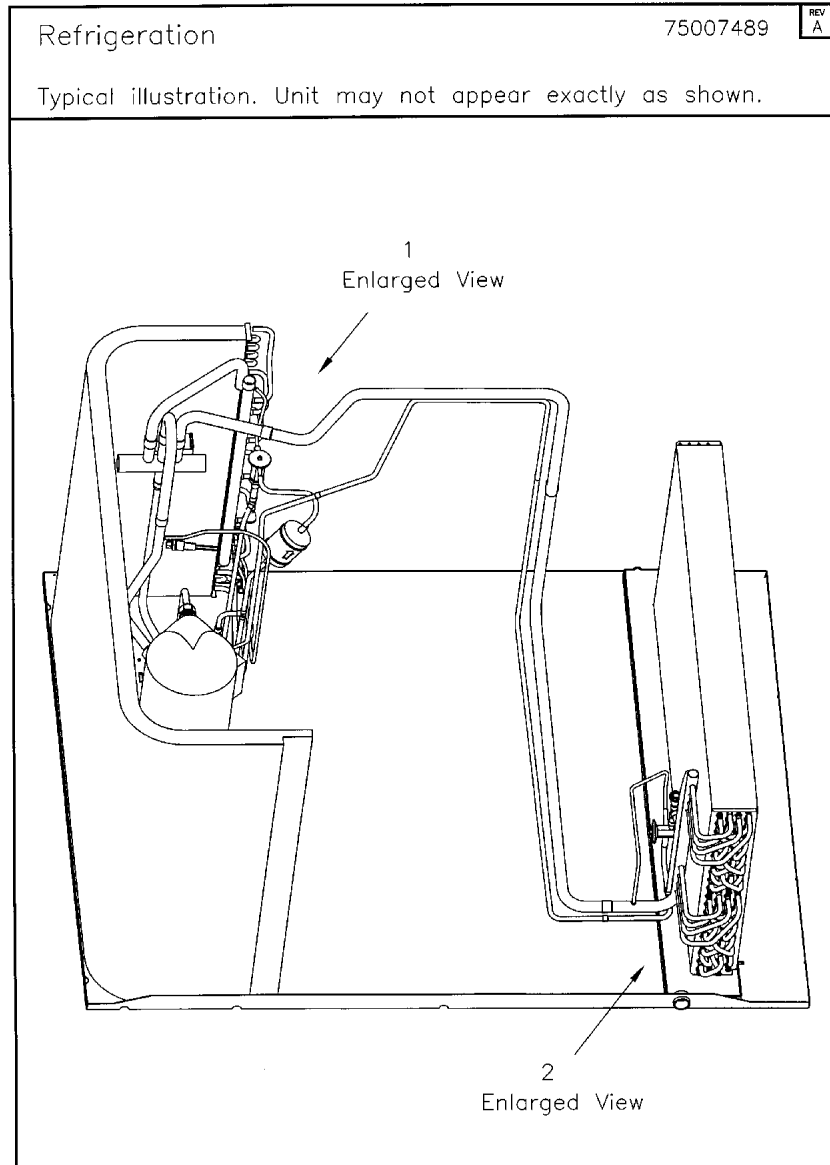
Part No.	Reference No.	Quantity	Description
PLT01793	6	1	PLATE; NAME, TRANE, 6.00 X 2.49 (STICKER)



Part No.	Reference No.	Quantity	Description
75007485_4WHC3UP2_240736~ P	*		BLOWER PARTS LIST



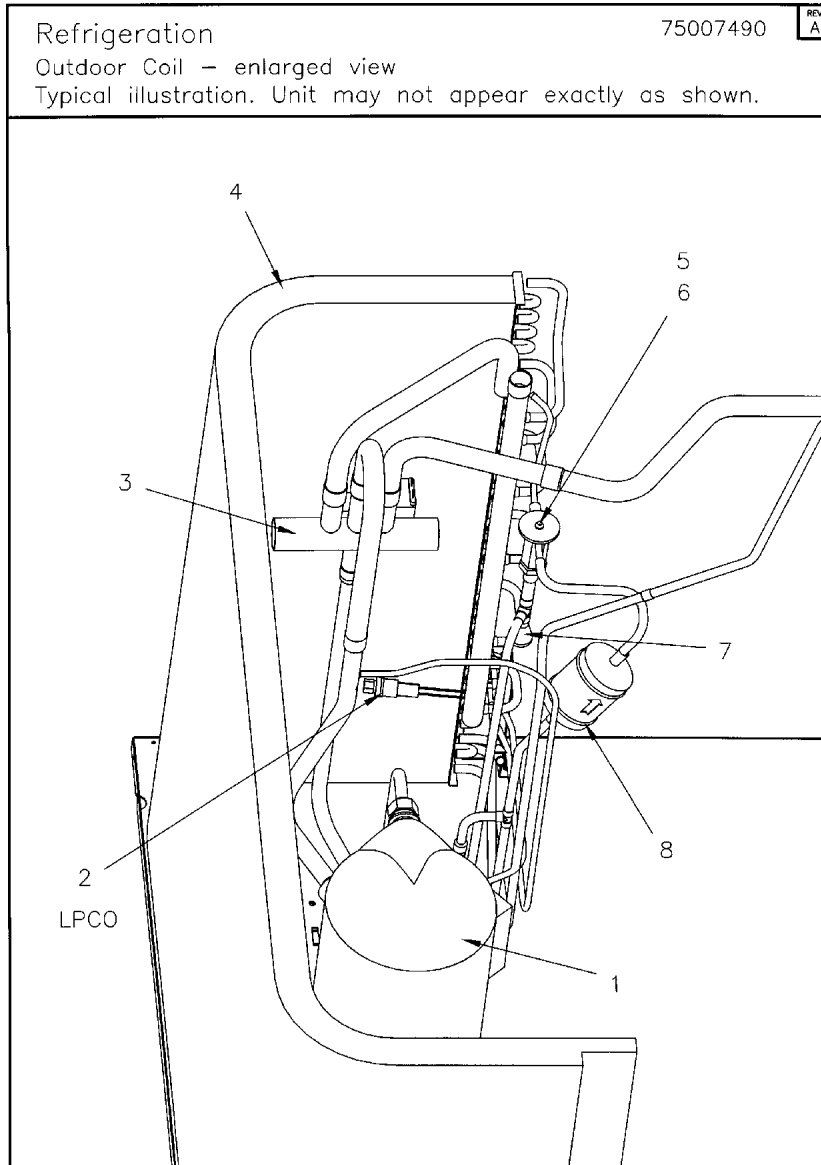
Part No.	Reference No.	Quantity	Description
BOF01100	*	1	BLOCKOFF; COIL HEADER, END
BOF01783	*	1	BLOCKOFF; BARRIER, 44.55 X 10.96
BOF01784	*	1	BLOCKOFF; BARRIER, END, 11.78 X 10.54
BOF01785	*	1	BLOCKOFF; BARRIER, SIDE, 15.13 X 11.70
GRD01026	*	1	GUARD; EDGE TRIM, 8.00 IN LENGTH
SCR01012	*	3	SCREW, 1/4-20 C HXW 1-1/2 S
WAS00638	*	1	WASHER; FLAT, 5/16 INCH
ARM00206	1	3	ARM; MOTOR MOUNT, INCLUDES GROMMETS AND FERRULE
SCR01584	2	1	BOLT; 1/4-20 MA HX 1.5 S
MOD01382	4	1	MODULE; ELECTRONIC MOTOR CONTROL, VARIABLE SPEED PROGRAMMED
ORF01083	5	1	ORIFICE; BLOWER ASSEMBLY
PNL20033	6	1	PANEL; BLOWER SIDE
PNN03068	7	1	PANEL; BLOWER, SIDE
PNN03197	8	1	PANEL; WRAPPER, BLOWER
WHL00711	9	1	WHEEL; BLOWER, 11.07 DIA, .50 BORE, CCW, 12.00 WIDTH
MOT11630	10	1	MOTOR; ECM VS MOTOR MODULE SET; 3/4 HP; 115/230 VOLTAGE; PROGRAMMED
BND00030	11	1	BAND; MOTOR MOUNT



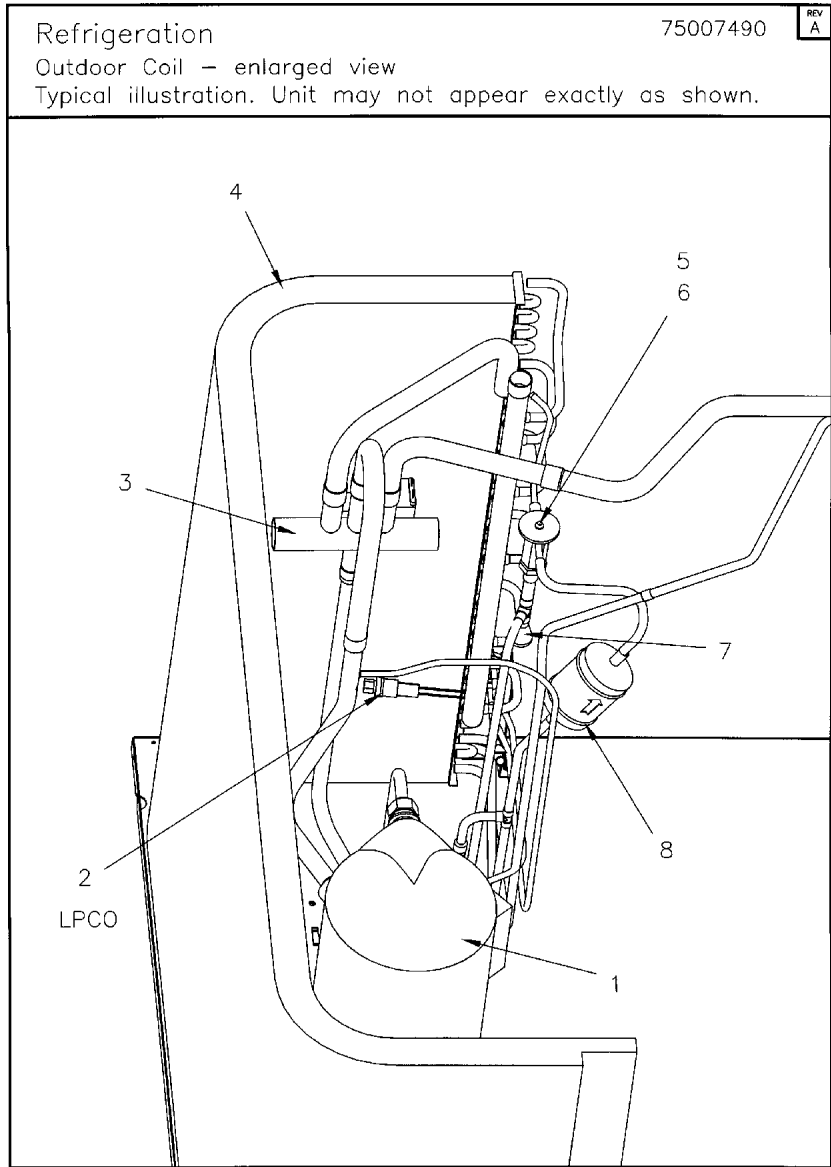
Parts List Number :75007482#4WHC3UP2

Model Number :4WHC3048A1000BA

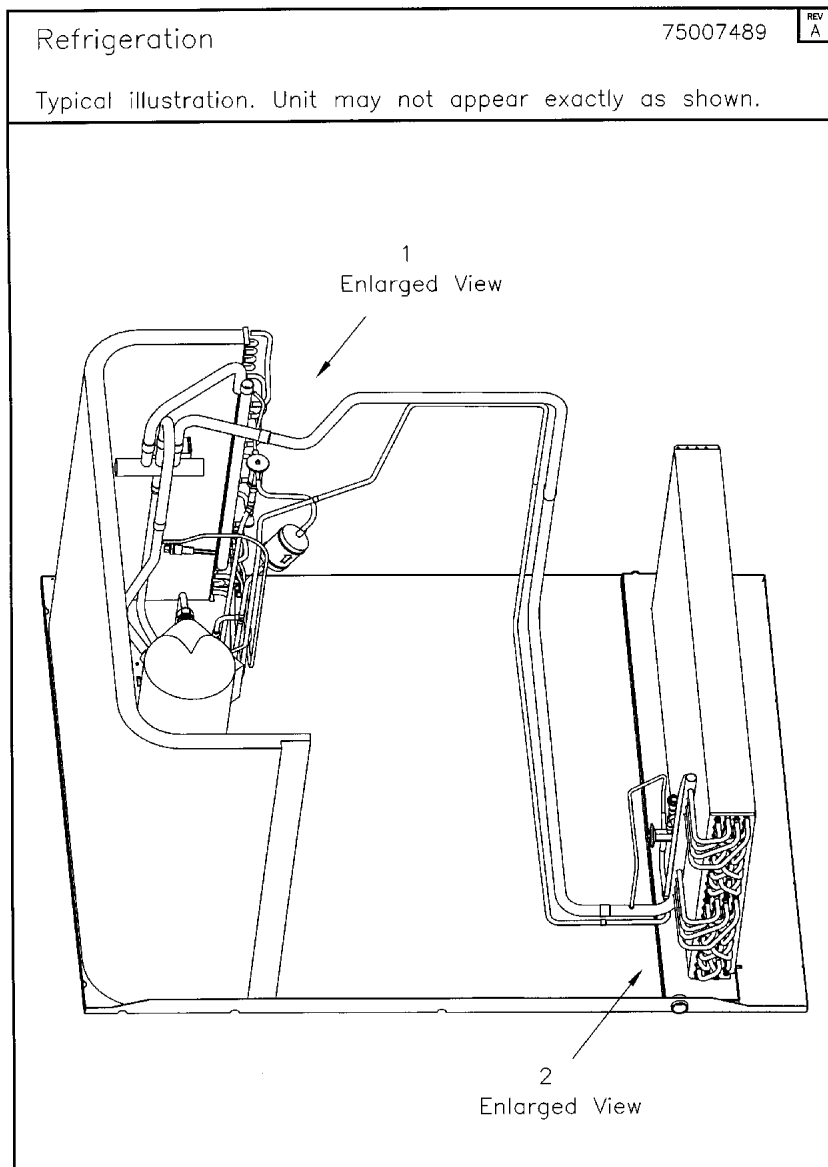
Part No.	Reference No.	Quantity	Description
75007491#4WHC3UP2~S	*		INDOOR COIL - ENLARGED VIEW
75007490#4WHC3UP2~S	*		OUTDOOR COIL - ENLARGED VIEW
75007489_4WHC3UP2_132663~ P	*		REFRIGERATION PARTS LIST

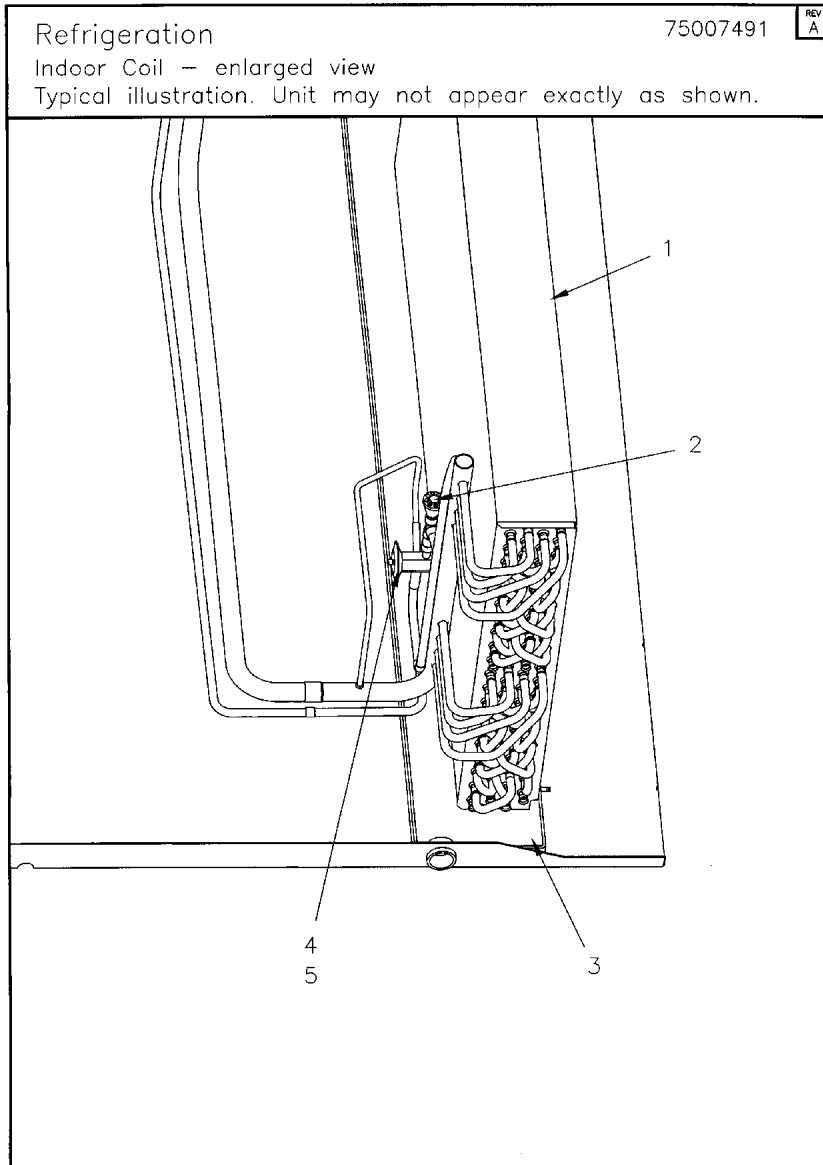


Part No.	Reference No.	Quantity	Description
75007490_4WHC3UP2_240739~ P	*		OUTDOOR COIL - ENLARGED VIEW PARTS LIST

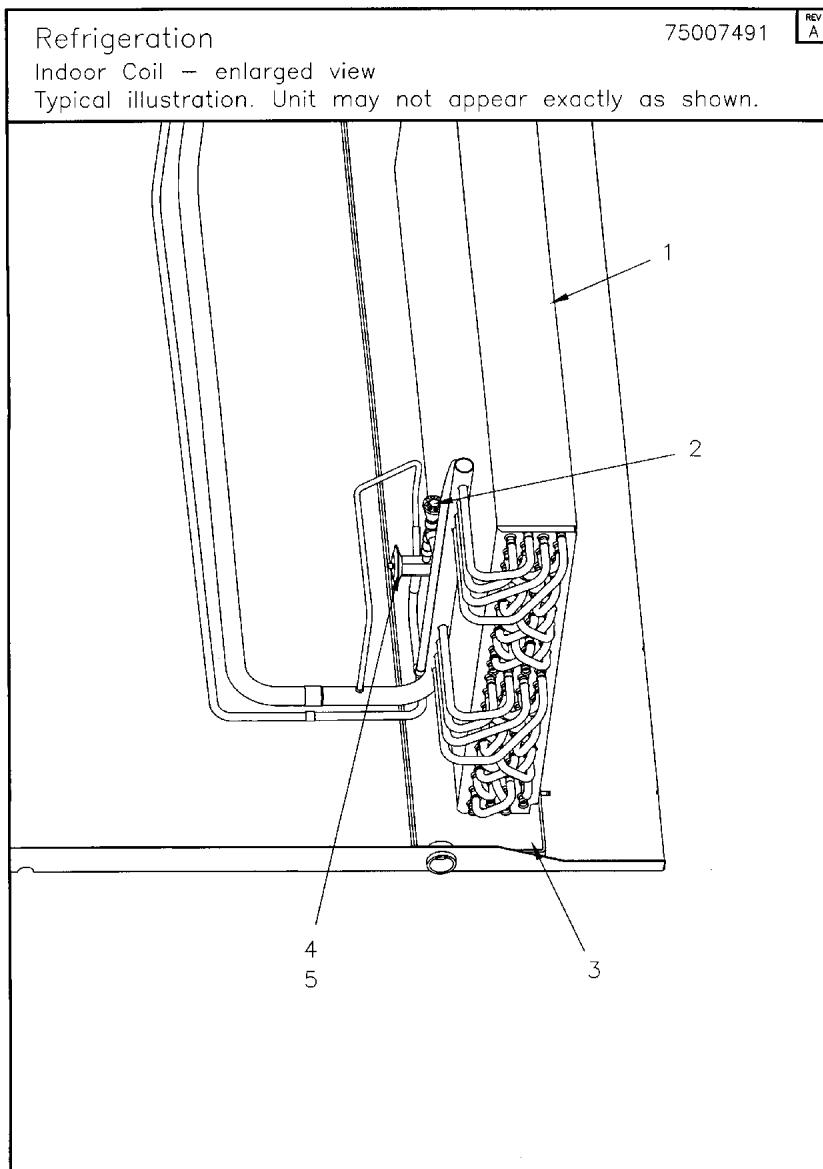


Part No.	Reference No.	Quantity	Description
BLT00809	*	4	BOLT; CARRIAGE, 5/16-18 X 1-3/4
CLP00223	*	1	CLIP; BULB
COR00006	*	2	CORE; VALVE PORT, .79 LENGTH, .206-36 UNS 2A THD
FTG00066	*	2	FITTING;
GKT01820	*	4	GASKET; 3/4 OD X 7/16 ID X .06 THK
ISR00007	*	4	ISOLATOR; VIBRATION
KIT01159	*	1	KIT; ROTOLOCK COMPRESSOR TO BRAZED; 1.00-14 THREAD SIZE ; 1/2 IN TUBE SIZE
KIT01164	*	1	KIT; ROTOLOCK COMPRESSOR TO BRAZED; 1.25-12 THREAD SIZE ; 3/4 IN TUBE SIZE
KIT01167	*	1	KIT; STUB TUBE, SIZE 1.25-12, W/ 90 DEG ELL, FOR 1/2, 3/8, 5/8 IN, 3/4 TUBE SIZE
NUT00669	*	4	NUT; MACHINE
NUT00890	*	4	NUT; PALLET, 5/16-18 UNC 2B THD.
NUT00999	*	1	NUT; 1.25-12 UNF-2B THREAD SIZE (FOR 3/4" OR 5/8" TUBE SIZE)
NUT01000	*	1	NUT; 1.00-14 UNS-2B THREAD SIZE (FOR 1/2" TUBE SIZE)
PLT03767	*	1	PLATE; DRIP SHIELD, 16 IN LENGTH
SLV00060	*	1	SLEEVE; FITTING, .75 TUBE DIA
SLV00061	*	1	SLEEVE; PLATED, 1/2IN.
SWT03083	*	1	SWITCH; HIGH PRESSURE, SPST, OPENS AT 650 PSIG, CLOSES AT 500 PSIG
TUB11124	*	1	TUBE; AND VALVE ASSEMBLY, 5/16 IN ID X 4.66L, INCLUDES BODY VALVE (SUCTION)
WAS00638	*	4	WASHER; FLAT, 5/16 INCH
WIR02695	*	1	WIRE; HARNESS-SCROLL COMPRESSOR, SINGLE PHASE
COM08970	1	1	COMPRESSOR; SCROLL, SXA042B1RPZ, 3.5 TON, 208-230/60/1, R410A, (1.25-12 SUCTION, 1.00-14 DISCHARGE). GOOD REFRIGERANT PRACTICES REQUIRE THAT OPEN SYSTEM REPAIRS INCLUDE A DRIER CHANGE.
SWT03158	2	1	SWITCH; LOW PRESSURE, SPST, OPENS AT 35 PSIG, CLOSES AT 55 PSIG
VAL08884	3	1	VALVE; SWITCHOVER, 6 TON, 5/8 IN ODF X 7/8 IDF CONNECTION (INCLUDES SOLENOID COIL)
COL16514	4	1	COIL; ASSEMBLY, OUTDOOR
VAL08845	6	1	VALVE; EXPANSION, 2 TON, 3/8 INLET X 1/2 OUTLET, 93/89 PSIG, R410A
DST00896	7	1	DISTRIBUTOR; 6 OUTLETS, 19 ODS, .50 ODM INLET, BRASS
DHY01272	8	1	DRIER; BI FLOW, 3/8 ODF, 2-2 1/2 TON





Part No.	Reference No.	Quantity	Description
75007491_4WHC3UP2_240741~ P	*		INDOOR COIL - ENLARGED VIEW PARTS LIST



Parts List Number :75007482#4WHC3UP2

Model Number :4WHC3048A1000BA

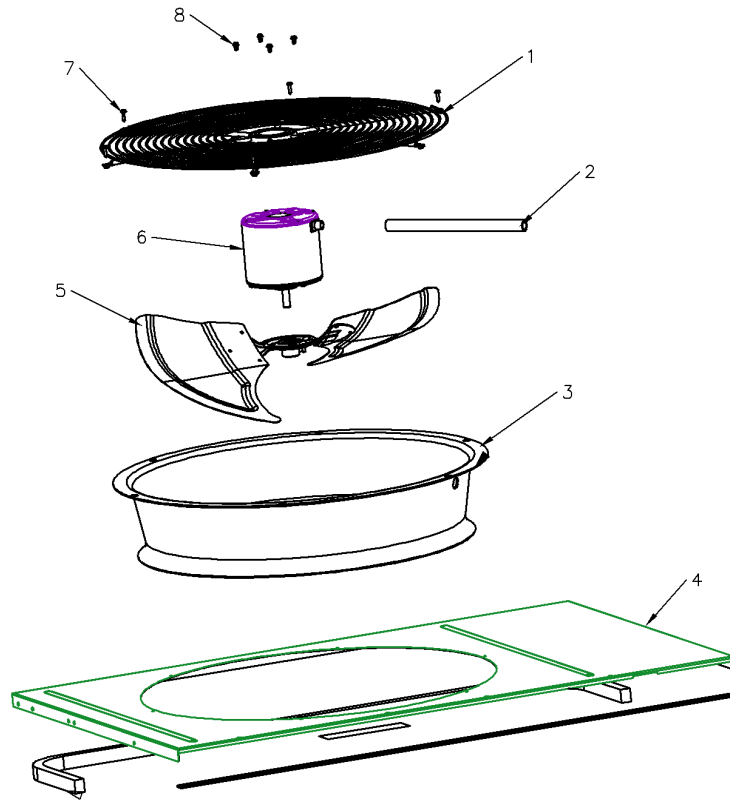
Part No.	Reference No.	Quantity	Description
COL16513	1	1	COIL; ASSEMBLY, INDOOR
DST00896	2	1	DISTRIBUTOR; 6 OUTLETS, 19 ODS, .50 ODM INLET, BRASS
PAN02555	3	1	PAN; DRAIN, 45 INCHES
VAL09652	5	1	VALVE; EXPANSION, 4 TON, 3/8" INLET X 1/2" OUTLET, 91/87 PSIG, 410A 4WCH3048

FAN

75010286

REV
A

TYPICAL ILLUSTRATION



Parts List Number :75007482#4WHC3UP2

Model Number :4WHC3048A1000BA

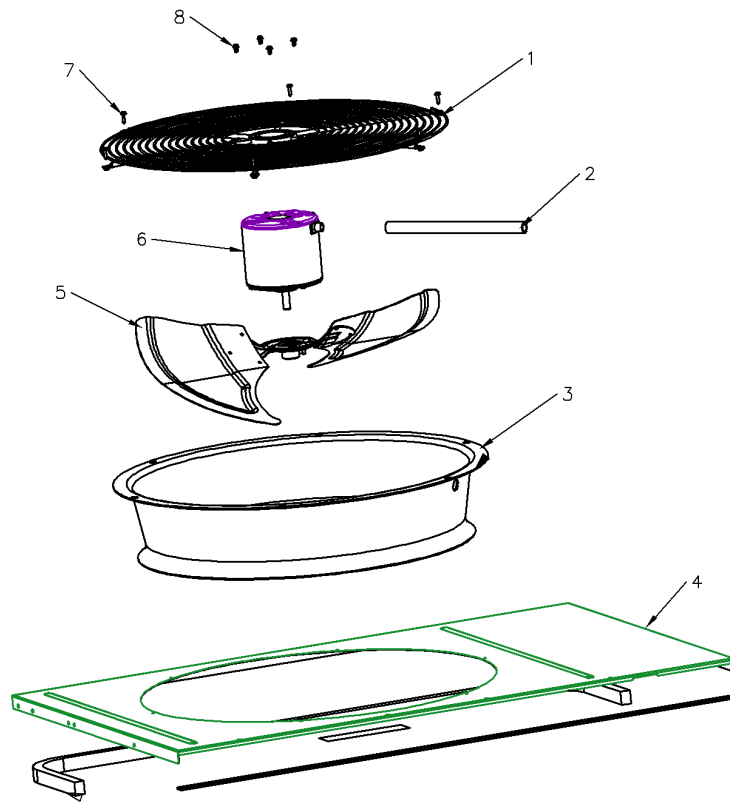
Part No.	Reference No.	Quantity	Description
75010286_4WHC3UP2_132684~ P	*		FAN PARTS LIST

FAN

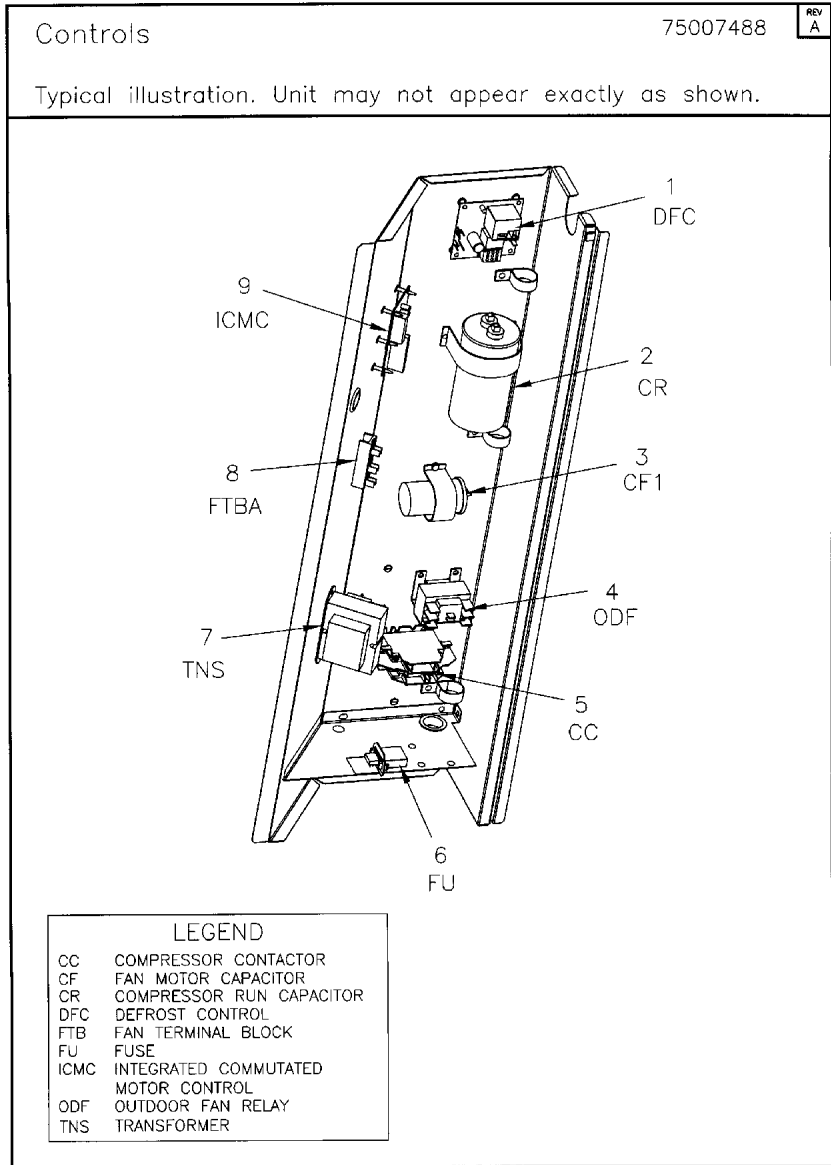
75010286

REV
A

TYPICAL ILLUSTRATION



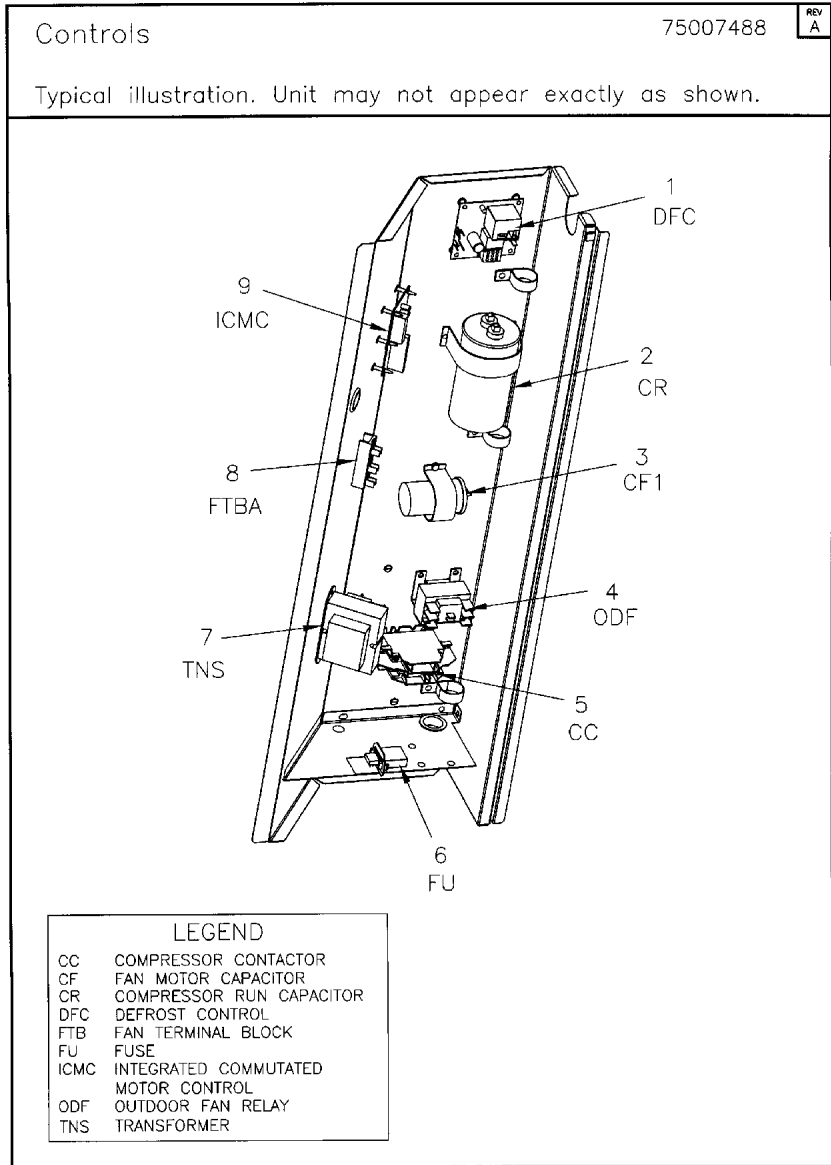
Part No.	Reference No.	Quantity	Description
GKT03077	*	2	GASKET; 29.75 X 1.00 X .75
INS01515	*	1	INSULATION; 8.00 X 2.00 X .64
GRL01863	1	1	GRILL; OUTDOOR FAN, WIRE, 26.85 MOUNTING DIA
GRD01715	2	1	GUARD; TROUGH-LEAD, 11 IN L X 0.83 OD
ORF01695	3	1	ORIFICE; PLASTIC INLET, 23.36 ID
COV04591	4	1	COVER; TOP, 45.0 X 29.8
FAN05083	5	1	FAN; 2 SWEEP BLADE, 23" DIA, 31 DEG PITCH, 0.50" BORE, CCW, ALUMINUM, 1 SET SCREW-STEEL, SPIDER 0.50" THK, FINISH/PAINT
MOT14753	6	1	MOTOR; 1/2 HP, 208-230/60/1, 1075 RPM, CCW, TYPE PSC, 48 FRAME, SLEEVE BEARINGS, 10 MFD AT 440V
SCR01509	7	6	SCREW; 10-16 AB HXW 3/4 S N
SCR02086	8	4	SCREW; 10-32 TR-3 HXW 3/8 S



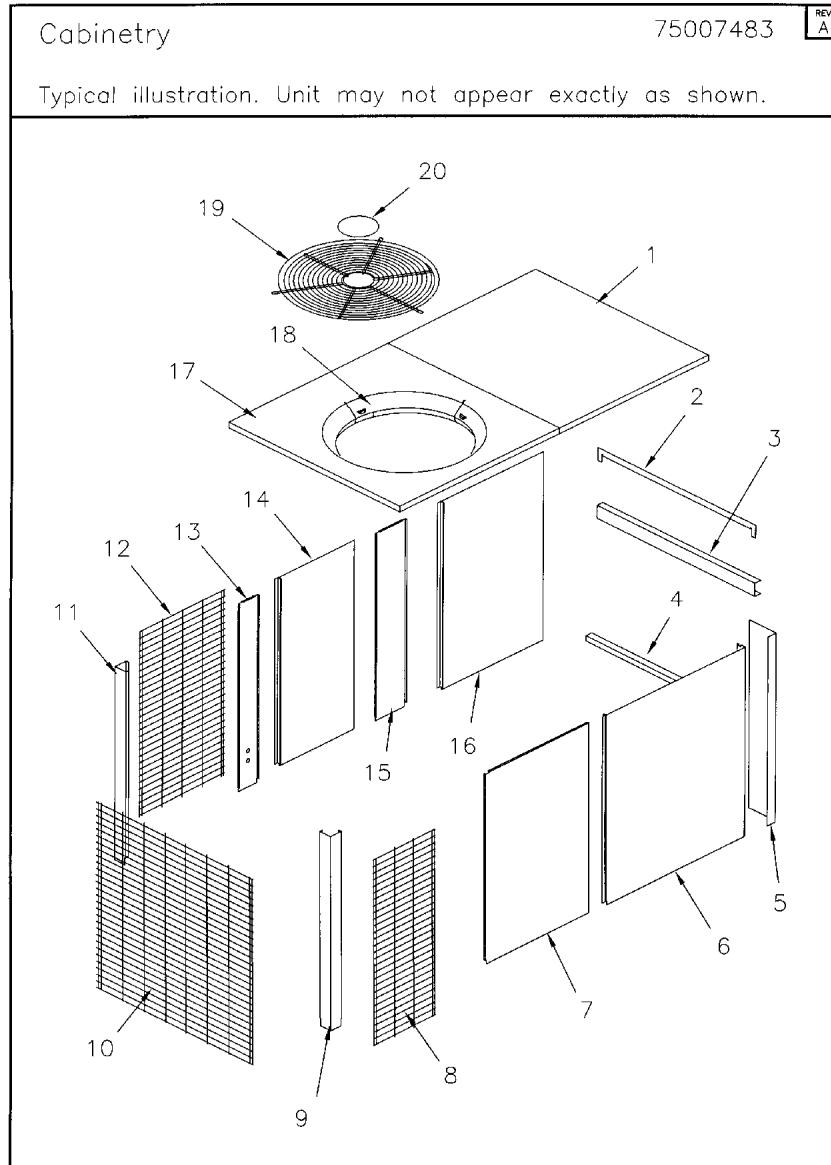
Parts List Number :75007482#4WHC3UP2

Model Number :4WHC3048A1000BA

Part No.	Reference No.	Quantity	Description
75007488_4WHC3UP2_240737~ P	*		CONTROLS PARTS LIST



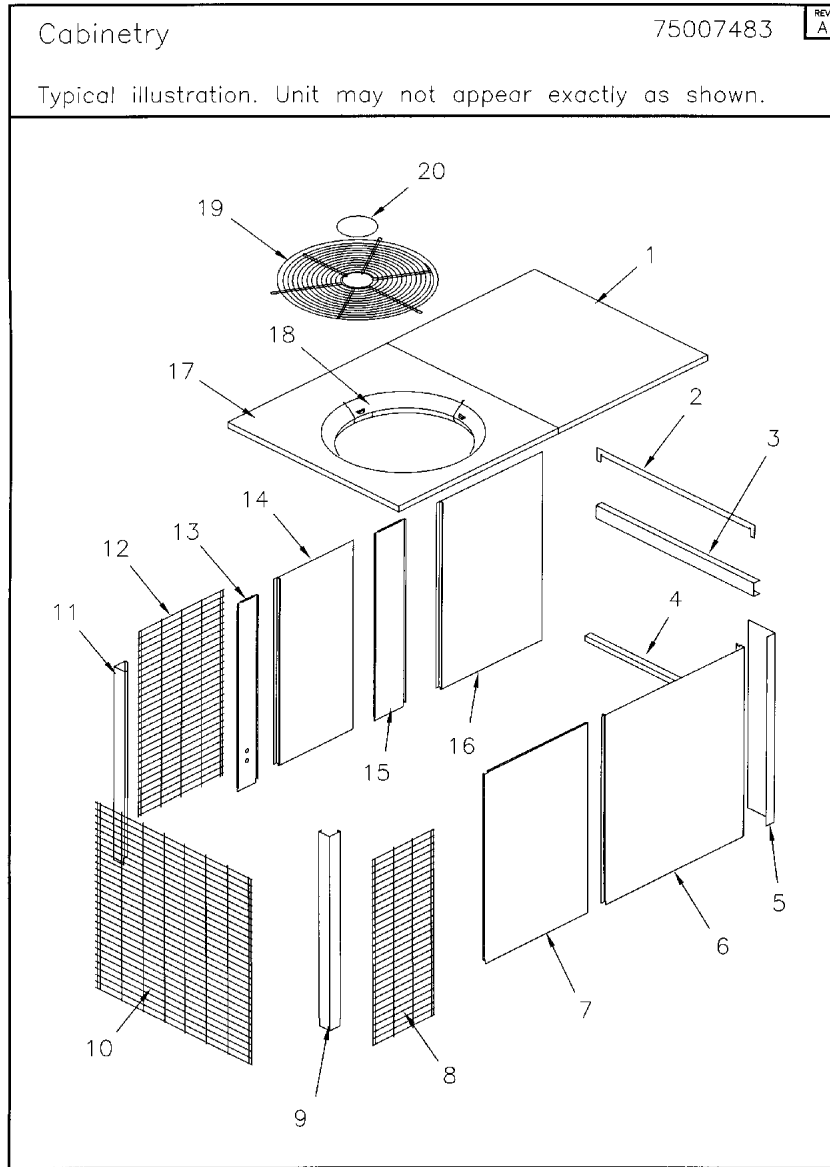
Part No.	Reference No.	Quantity	Description
BUS00402	*	1	BUSHING; SNAP
RCT00062	*	1	RECEPTACLE; CONNECTOR, 6 PIN, POLARIZED, MALE
RES00171	*	1	RESISTOR; THERMISTOR, BLACK (OUTDOOR AIR SENSOR OR AMBIENT SENSOR)
WIR05241	*	1	WIRE; HARNESS, CONTACTOR TO FLD
CNT04365	1	1	CONTROL; DEFROST
CPT01233	2	1	CAPACITOR; 70 MFD, 440V, ROUND, W/O RESISTOR
CPT00554	3	1	CAPACITOR; 10 MFD, 440 VOLT, OVAL
CTR01028	5	1	CONTACTOR; 2P, 40A 600V CONTACTS, 24 CV, 60HZ
FUS01057	6	1	FUSE; 3 AMP, AND HOLDER
TRR01581	7	1	TRANSFORMER; 75VA, 200/230V PRI, 24V SEC, 60HZ
BRD00385	8	1	BOARD; TERMINAL, FAN, 24V, 3 POLE
CNT03600	9	1	CONTROL; ICM FAN, PWB, 16 PIN



Parts List Number :75007482#4WHC3UP2

Model Number :4WHC3048A1000BA

Part No.	Reference No.	Quantity	Description
75007483_4WHC3UP2_132640~ P	*		CABINERY PARTS LIST



Parts List Number :75007482#4WHC3UP2

Model Number :4WHC3048A1000BA

Part No.	Reference No.	Quantity	Description
BUS00445	*	1	BUSHING; SPLIT
PAI00074	*	1	PAINT; SPRAY, SLATE GREY, FULL GLOSS(88) (SHIPPING UOM 12 OZ HAZ)
PLT01793	*	1	PLATE; NAME, TRANE, 6.00 X 2.49 (STICKER)
SEN01370	*	1	SENSOR; ASSEMBLY, 9.75 K RESISTANCE OHMS AT 75 DEG F, YELLOW WIRES, 73 IN AND 75 IN
SUP02752	*	1	SUPPORT; SENSOR, BLACK PLASTIC, 0.50 X 1.68 X 3.10
COV03475	1	1	COVER; TOP, BLOWER, 45 X 28
ANG01589	2	1	ANGLE; TOP, 34.80 LENGTH
CNL01437	3	1	CHANNEL; SPLITTER, 31.88 X 2.32 X 1.03
ANG01590	4	1	ANGLE; BOTTOM, 32.00 X 1.06 X .57
PNL20036	5	1	PANEL; CORNER, 32.55 X 6.50
PNL20037	6	1	PANEL; BLOWER AND INDOOR COIL ACCESS, 32.35 X 25.20
PNL20038	7	1	PANEL; OUTDOOR COIL ACCESS, 32.35 X 18.63
GRD01281	8	1	GUARD; COIL, WIRE, 12.33 X 32.00
PNN03219	9	1	PANEL; CORNER, 32.35 IN LENGTH
GRD01280	10	1	GUARD; COIL, WIRE, 41.78 X 32.00
PNN03219	11	1	PANEL; CORNER, 32.35 IN LENGTH
GRD01281	12	1	GUARD; COIL, WIRE, 12.33 X 32.00
PNL26865	13	1	PANEL; SUPPORT, 32.35 X 4.03
PNL20039	14	1	PANEL; FRONT ACCESS, 32.35 X 13.00
PNL20034	15	1	PANEL; CONTROL BOX ACCESS, 32.35 X 6.60
PNL20035	16	1	PANEL; CORNER, BLOWER ACCESS, 32.4 X 21.6 AND 32.4 X 6.5
COV04591	17	1	COVER; TOP, 45.0 X 29.8
ORF01063	18	1	ORIFICE; PLASTIC INLET, 22.56 ID
GRL01863	19	1	GRILL; OUTDOOR FAN, WIRE, 26.85 MOUNTING DIA
COV02373	20	1	COVER; MOTOR, 4.40 DIA

Parts List Number :75007482#4WHC3UP2

Model Number :4WHC3048A1000BA

Part No.	Reference No.	Quantity	Description
NGRAPHIC_4WHC3UP2_240742 ~P	*		OPTIONAL FIELD INSTALLED ACCESSORIES PARTS LIST

NO GRAPHIC AVAILABLE

75013702

REV
A

**NO
GRAPHIC
AVAILABLE**

Parts List Number :75007482#4WHC3UP2

Model Number :4WHC3048A1000BA

Part No.	Reference No.	Quantity	Description
HTR04982	*	1	HEATER; ASSEMBLY, COMPLETE (BAYHTRC106AC)
HTR04984	*	1	HEATER; ASSEMBLY, COMPLETE (BAYHTRC111AC)
HTR04986	*	1	HEATER; ASSEMBLY, COMPLETE (BAYHTRC117AC)
HTR04987	*	1	HEATER; ASSEMBLY, COMPLETE (BAYHTRC110AA)
HTR07512	*	1	HEATER; ASSEMBLY, COMPLETE (BAYHTRC109AA)
KIT03140	*	1	KIT; LOW AMBIENT COOLING, EVAPORATOR DEFROST CONTROL (BAYLOAM011AB)
KIT05354	*	1	KIT; TIME DELAY (TAYASCT501A) - 5 MINUTE RELAY ONLY IS RLY01343
THT02504	*	1	TSTAT; 7-DAY PROGRAMMABLE, 2 HEAT (GAS, OIL, OR ELEC) /2 COOL/HP (TCONT602AF22MAA)
TMR00140	*	1	TIMER; ANTISHORT CYCLE (BAYASCT001)

MODEL NUMBER DESCRIPTION	75011470	RB B
PACKAGED UNITS		
<i>Example Model Number:</i> 4 Y C Y 5 0 4 8 A 1 0 9 0 A A <small>1 - - - - 5 - - - - 10 - - - - 15</small>		
Digit 1 – Refrigerant 4 = R-410A		
Digit 2 – Type Y = Gas Electric W = Heat Pump D = Dual Fuel T = Air Conditioner		
Digit 3 – Model Tier C = Convertible H = Horizontal (only)		
Digit 4 – Model Tier C = Entry Level X = Upgrade Y = Premium Z = Leadership - (2-Stage) A = Ameristar		
Digit 5 – Efficiency Tier 3 = 13 SEER 4 = 14 SEER 5 = 15 SEER 6 = 16 SEER		
Digits 6,7,8 – Capacity in 1000's (BTUH) 018 042 024 048 030 060 036		
Digit 9 – Major Design Change		
Digit 10 – Voltage & Phase 1 = 230V 1 Phase 3 = 230V 3 Phase 4 = 460V 3 Phase		
Digit 11,12,13 – Gas Heat Input (MBTU/H) 000 (AC or HP) 075 040 096 064 120		
Digit 14 – Minor Design Change		
Digit 15 – Service Digit - Not Orderable		
1 of 1		

Part No.	Reference No.	Quantity	Description
75011470_4WHC3UP2_132691~ P	*		MODEL NUMBER DESCRIPTION PARTS LIST

MODEL NUMBER DESCRIPTION	75011470	REV C
PACKAGED UNITS		
<i>Example Model Number:</i> 4 Y C Y 5 0 4 8 A 1 0 9 0 A A 1 - - - 5 - - - - 10 - - - - 15		
Digit 1 – Refrigerant 4 = R-410A		
Digit 2 – Type Y = Gas Electric W = Heat Pump D = Dual Fuel T = Air Conditioner		
Digit 3 – Model Tier C = Convertible H = Horizontal (only)		
Digit 4 – Model Tier C = Entry Level X = Upgrade Y = Premium Z = Leadership - (2-Stage) A = RunTru Brand		
Digit 5 – Efficiency Tier 3 = 13 SEER 4 = 14 SEER 5 = 15 SEER 6 = 16 SEER		
Digits 6,7,8 – Capacity in 1000's (BTUH) 018 042 024 048 030 060 036		
Digit 9 – Major Design Change		
Digit 10 – Voltage & Phase 1 = 230V 1 Phase 3 = 230V 3 Phase 4 = 460V 3 Phase		
Digit 11,12,13 – Gas Heat Input (MBTU/H) 000 (AC or HP) 075 040 096 064 120		
Digit 14 – Minor Design Change		
Digit 15 – Service Digit - Not Orderable		
1 of 1		

