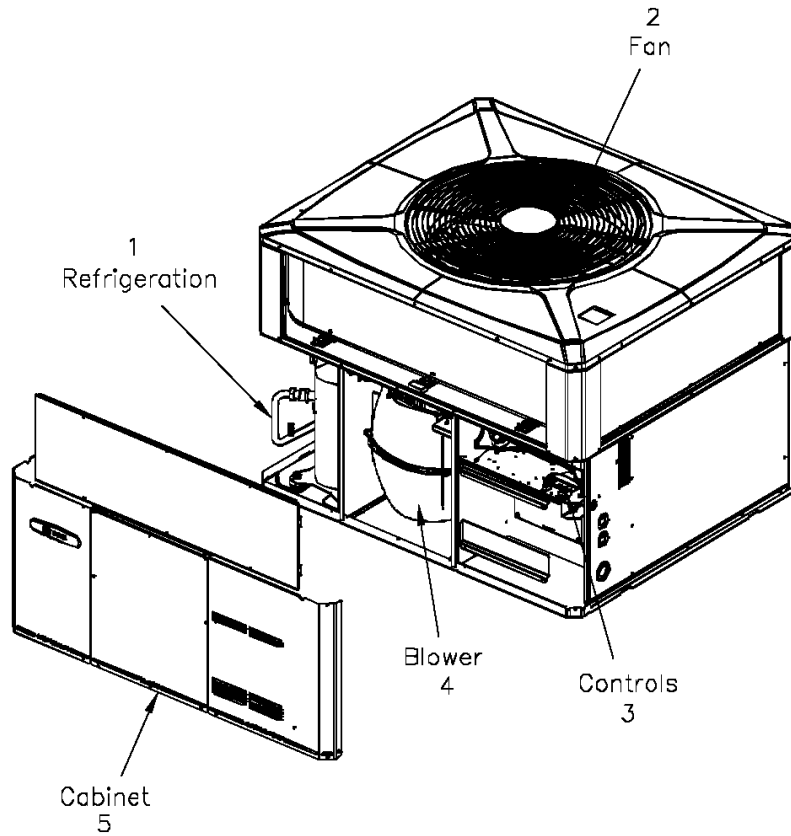


General Assembly

75008360

REV
A

Typical illustration. Unit may not appear exactly as shown.



View is determined by facing Appearance Nameplate

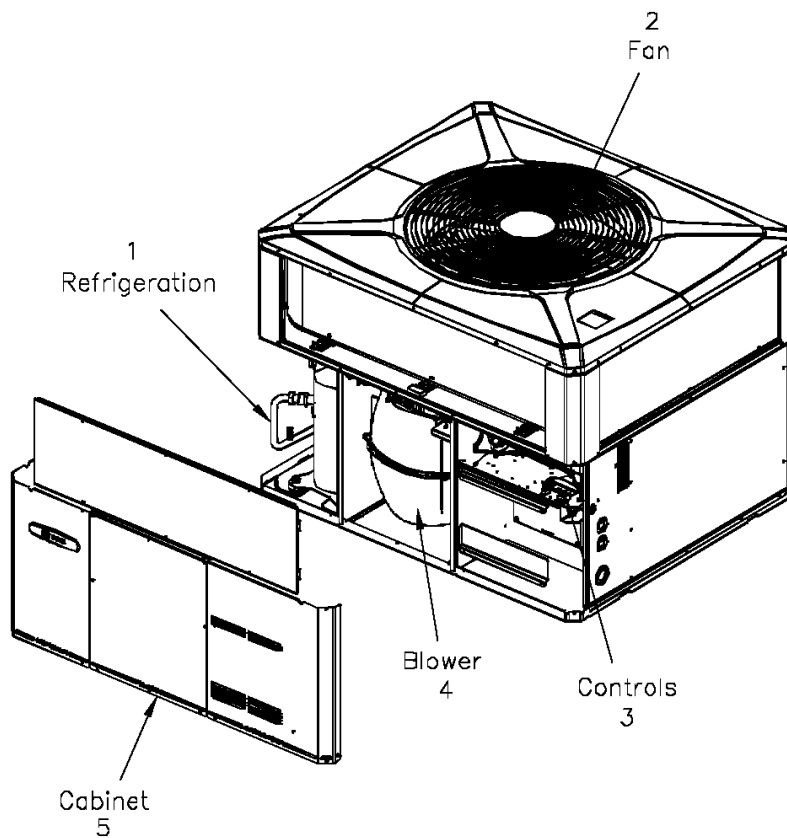
Part No.	Reference No.	Quantity	Description
75008695#4WCZ6UP4~S	*		BLOWER
75008359#4WCZ6UP4~S	*		CABINET
75008952#4WCZ6UP4~S	*		CONTROLS
75005599#4WCZ6UP4~S	*		FAN
75008360_4WCZ6UP4_174377~P	*		GENERAL ASSEMBLY PARTS LIST
75008692#4WCZ6UP4~S	*		MODEL NOMENCLATURE
NGRAPHIC#4WCZ6UP4~S	*		OPTIONAL EQUIPMENT
75008353#4WCZ6UP4~S	*		REFRIGERATION

General Assembly

75008360

REV
A

Typical illustration. Unit may not appear exactly as shown.



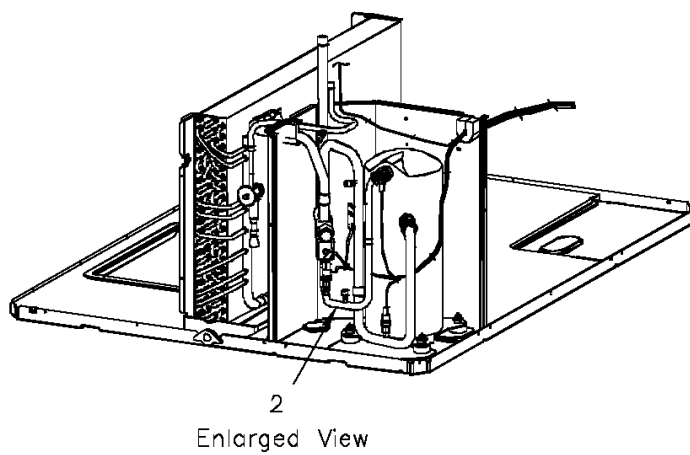
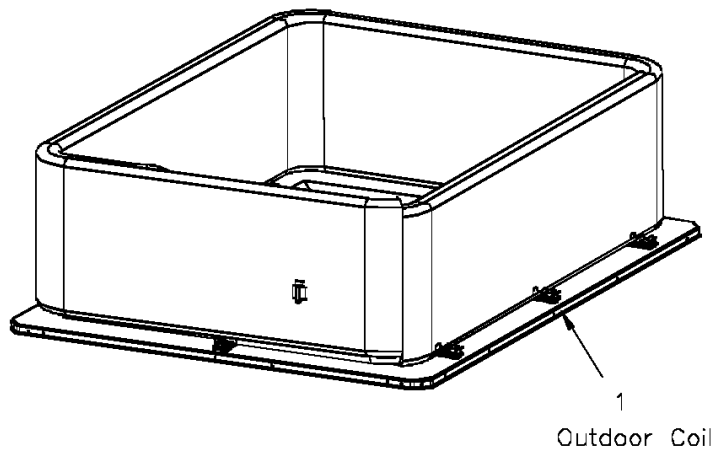
View is determined by facing Appearance Nameplate

Refrigeration

75008353

REV
A

Typical illustration. Unit may not appear exactly as shown.



REFRIGERATION

Parts List Number :75008360#4WCZ6UP4

Model Number :4WCZ6060B1000AA

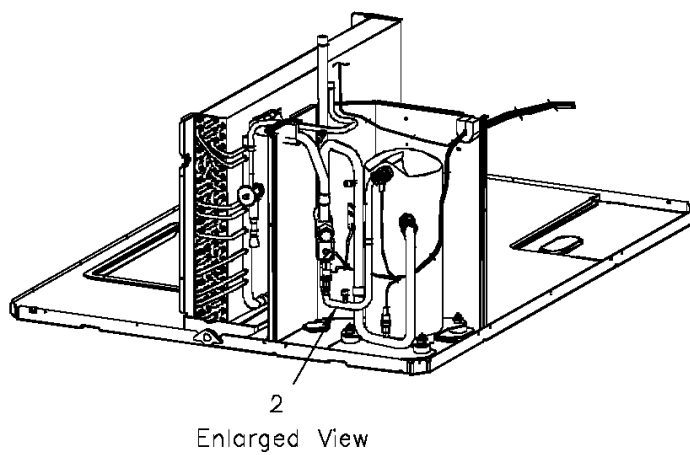
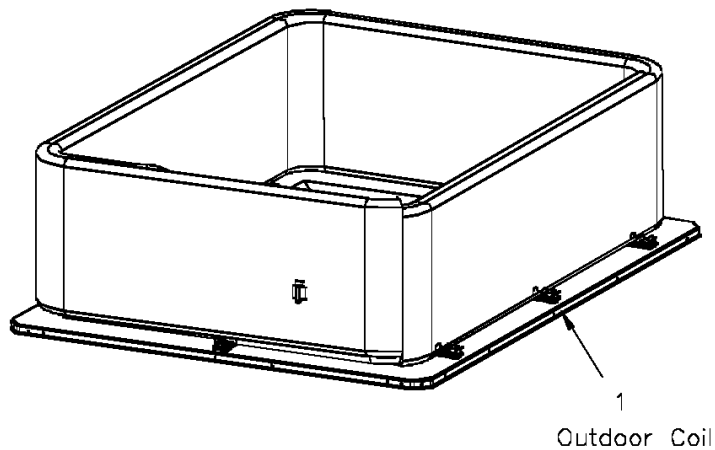
Part No.	Reference No.	Quantity	Description
75009976#4WCZ6UP4~S	*		ENLARGED VIEW
75008354#4WCZ6UP4~S	*		OUTDOOR COIL
75008353_4WCZ6UP4_174378~P	*		REFRIGERATION PARTS LIST

Refrigeration

75008353

REV
A

Typical illustration. Unit may not appear exactly as shown.

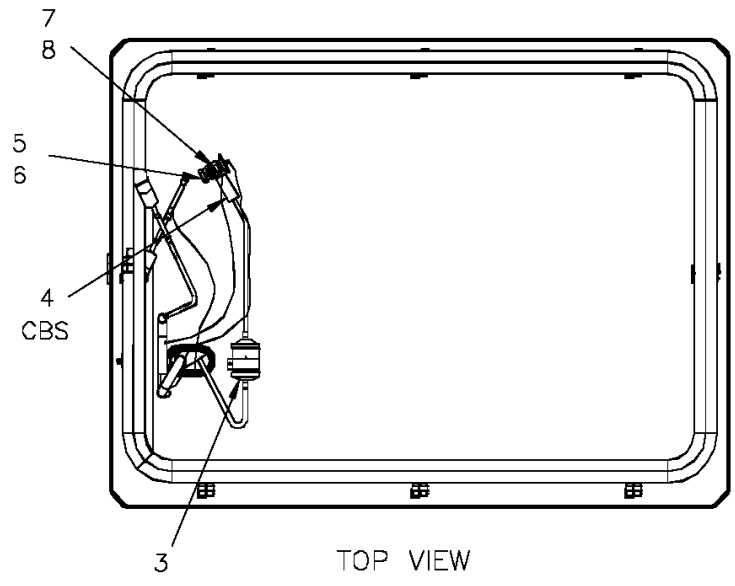
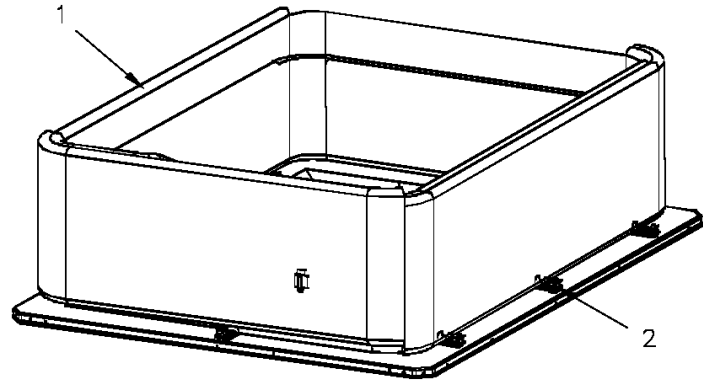


Outdoor Coil

75008354

REV
A

Typical illustration. Unit may not appear exactly as shown.



OUTDOOR COIL

Parts List Number :75008360#4WCZ6UP4

Model Number :4WCZ6060B1000AA

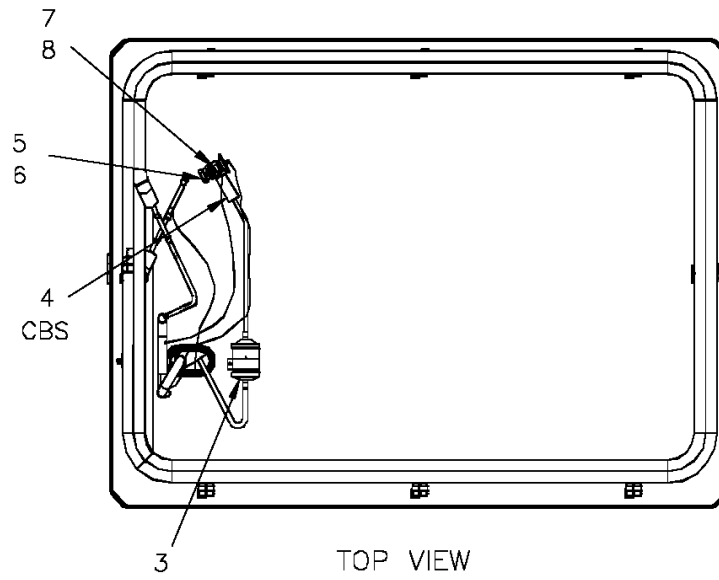
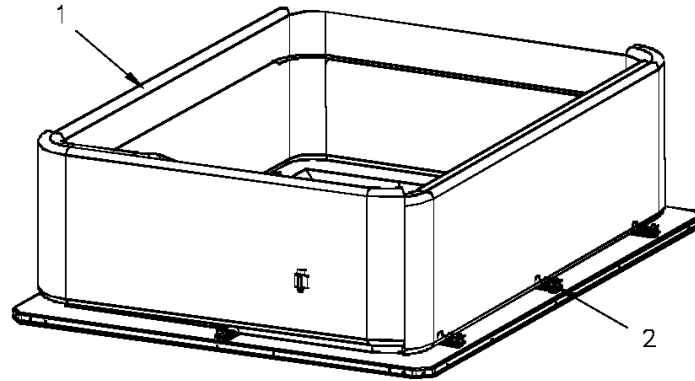
Part No.	Reference No.	Quantity	Description
75008354_4WCZ6UP4_174379-P	*		OUTDOOR COIL PARTS LIST

Outdoor Coil

75008354

REV
A

Typical illustration. Unit may not appear exactly as shown.



Part No.	Reference No.	Quantity	Description
CLP00296	*	1	CLIP; TXV BULB, 7/8 INCH
COL25316	1	1	COIL; OUTDOOR, SPINE FIN
SPC00391	2	8	SPACER; OUTDOOR COIL, 2.50 X 1.31. INCLUDES GASKET.
DHY01451	3	1	DRIER; BI-FLOW; SERVICE FIRST; 8 CU. IN; DCB083S, 3/8 ODF CONNECTIONS; 2.3 TON CAPACITY; APPROVED FOR MINERAL OIL AND POE OIL REFRIGERANTS; MANUFACTUR
SEN01370	4	1	SENSOR; ASSEMBLY, 9.75 K RESISTANCE OHMS AT 75 DEG F, YELLOW WIRES, 73 IN AND 75 IN
TUB12048	5	1	TUBE; ASSEMBLY, OUTDOOR FLOW CONTROL, R410A
VAL08703	6	1	VALVE; EXPANSION, 4 TON, 3/8" INLET X 1/2" OUTLET, 94/90 PSIG, R410A
TUB11762	7	1	TUBE; ASSEMBLY, OUTDOOR DISTRIBUTOR
DST00899	8	1	DISTRIBUTOR; 9 OUTLETS, 19 ODS, .50 ODM INLET, BRASS

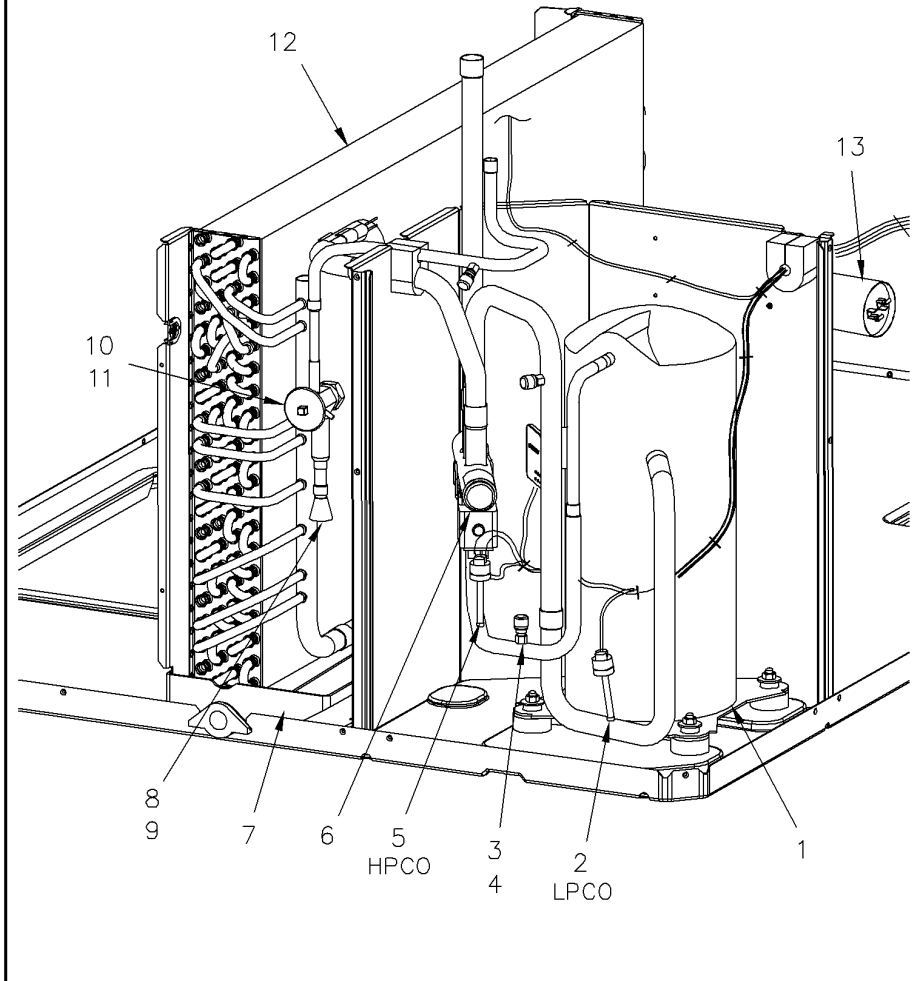
Refrigeration

75009976

REV
A

enlarged view

Typical illustration. Unit may not appear exactly as shown.



Parts List Number :75008360#4WCZ6UP4

Model Number :4WCZ6060B1000AA

Part No.	Reference No.	Quantity	Description
75009976_4WCZ6UP4_183540-P	*		ENLARGED VIEW PARTS LIST

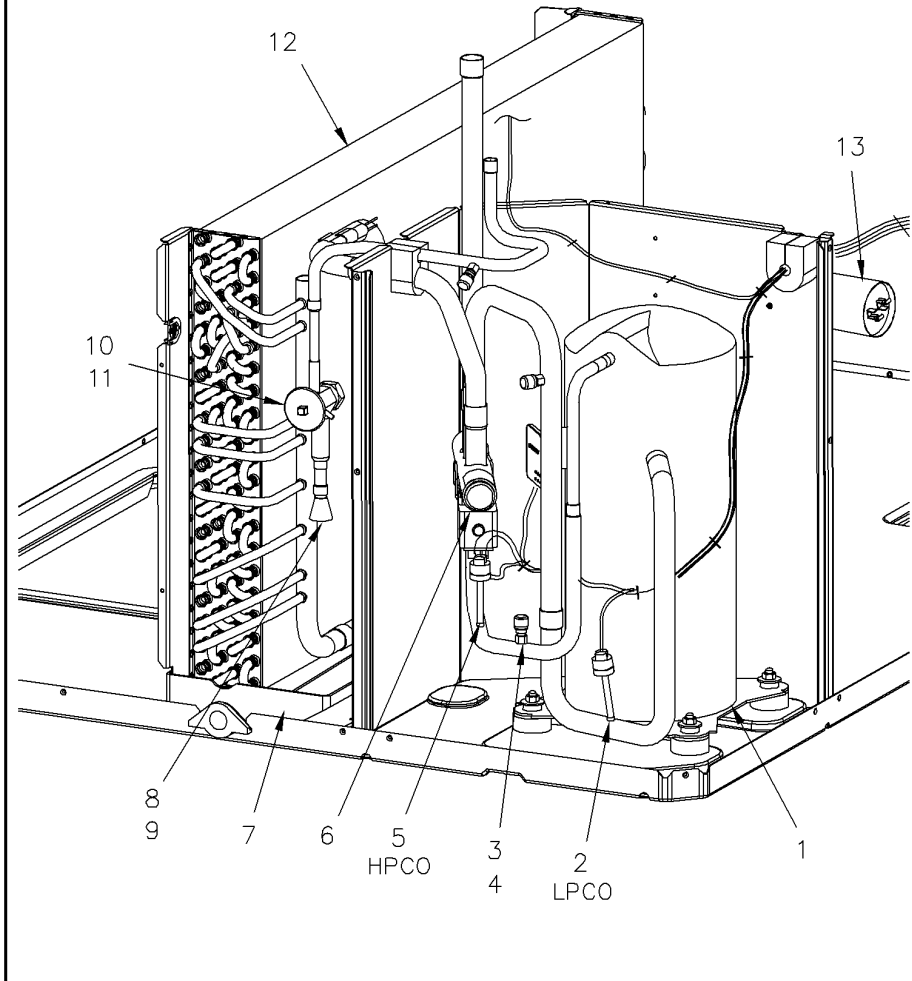
Refrigeration

75009976

REV
A

enlarged view

Typical illustration. Unit may not appear exactly as shown.



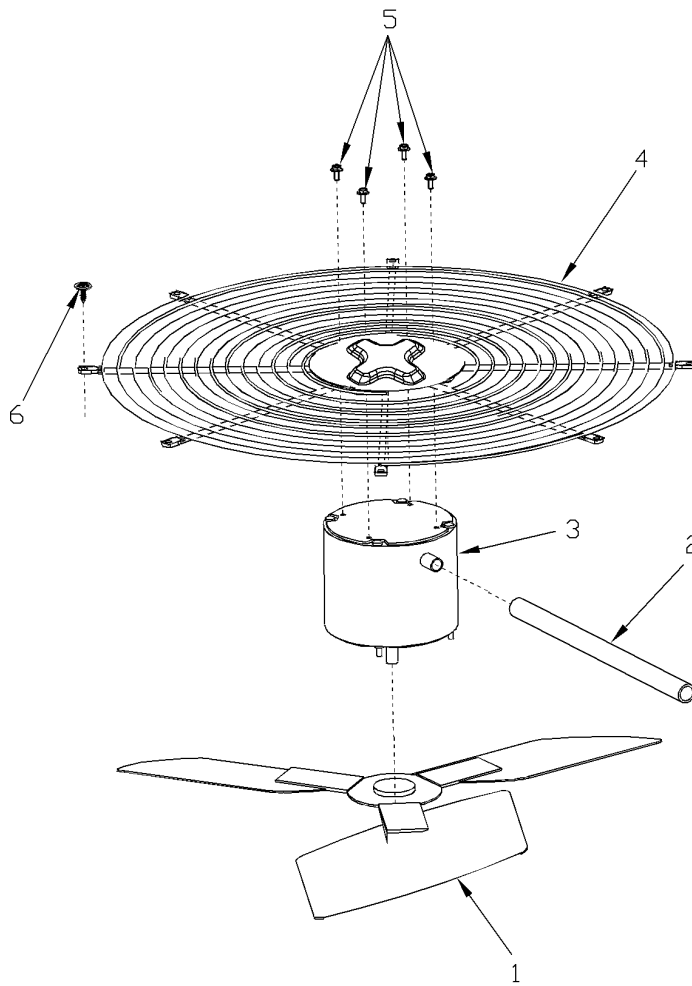
Part No.	Reference No.	Quantity	Description
BLT00809	*	4	BOLT; CARRIAGE, 5/16-18 X 1-3/4
GKT01820	*	4	GASKET; 3/4 OD X 7/16 ID X .06 THK
ISR00007	*	4	ISOLATOR; VIBRATION
NUT00355	*	4	NUT; HEX, LOCK, 5/16IN.-18
NUT00890	*	4	NUT; PALLET, 5/16-18 UNC 2B THD.
PLU00976	*	1	PLUG; COMPRESSOR SOLENOID, 2-WIRE (WH,WH), 69 IN LENGTH
WAS00638	*	4	WASHER; FLAT, 5/16 INCH
WIR04495	*	1	WIRE; PLUG, SCROLL COMPRESSOR, 3-WIRE (BK,OR,RD), 72 IN TOTAL LENGTH
COM10860	1	1	COMPRESSOR; SCROLL, ALLIANCE, TXA051B1BPZ (ZPS51K5E-PFV-803), 208/230-60-1, R410-A, SUCTION 7/8, DISCHARGE 1/2
SWT03737	2	1	SWITCH; LOW PRESSURE, OPEN 25 PSIG, CLOSE 45 PSIG, 69" BLUE LEADS, BRAZED
BOD00114	3	3	BODY; VALVE, BRASS, 7/16 HEX, 7/16 -20 UNF-2A
COR00103	3	3	CORE; VALVE, .79 LENGTH, .206-36 UNS-1 MOD. THD
CAP00455	4	3	CAP; HUB, 7/16-20 STRAIGHT
SWT03739	5	1	SWITCH; HIGH PRESSURE, OPEN @ 650 PSIG, CLOSE @ 500 PSIG, 74" BK-YL LEADS, BRAZED
VAL08884	6	1	VALVE; SWITCHOVER, 6 TON, 5/8 IN ODF X 7/8 IDF CONNECTION (INCLUDES SOLENOID COIL)
PAN02889	7	1	PAN; DRAIN, BLACK PVC, 35.70 X 7.75
TUB11686	8	1	TUBE; ASSEMBLY, INDOOR DISTRIBUTOR
DST00898	9	1	DISTRIBUTOR; 8 OUTLETS, 19 ODS, .50 ODM INLET, BRASS
TUB11668	10	1	TUBE; ASSEMBLY, FLOW CONTROL, R410A
VAL08704	11	1	VALVE; EXPANSION, 6 TON, 3/8" INLET X 1/2" OUTLET, 92/88 PSIG, R410A
COL13520	12	1	COIL; INDOOR, FLAT FIN
CPT00272	13	1	CAPACITOR; RUN, 40 MFD, 440V, ROUND, W/RESISTOR

FAN

75005599

REV
A

Typical Illustration. Unit may not appear exactly as shown.



Parts List Number :75008360#4WCZ6UP4

Model Number :4WCZ6060B1000AA

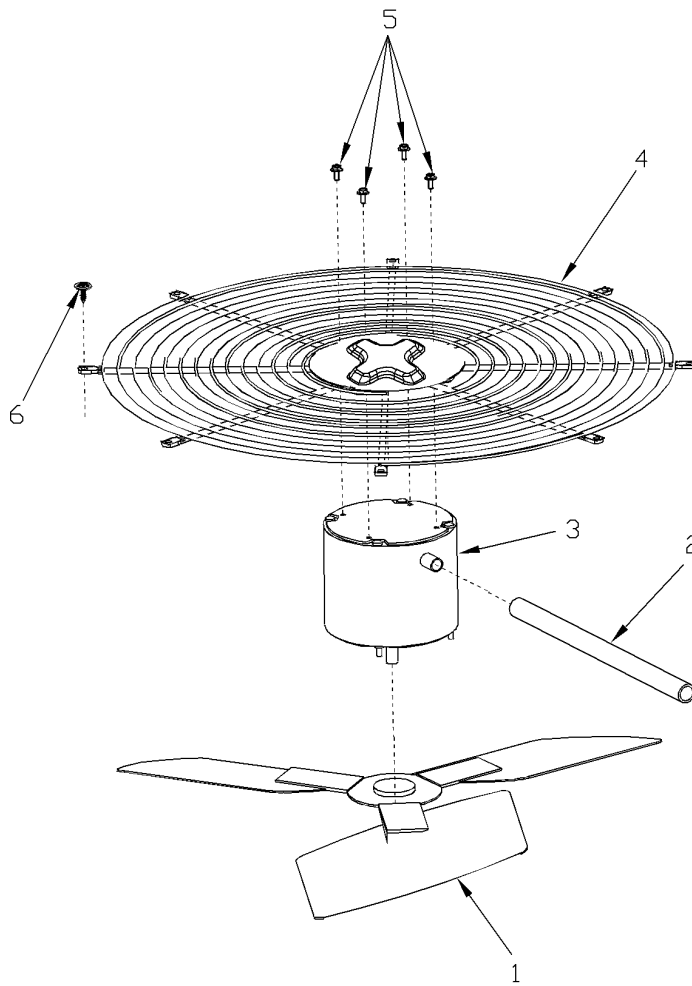
Part No.	Reference No.	Quantity	Description
75005599_4WCZ6UP4_262197-P	*		FAN PARTS LIST

FAN

75005599

REV
A

Typical Illustration. Unit may not appear exactly as shown.



Parts List Number :75008360#4WCZ6UP4

Model Number :4WCZ6060B1000AA

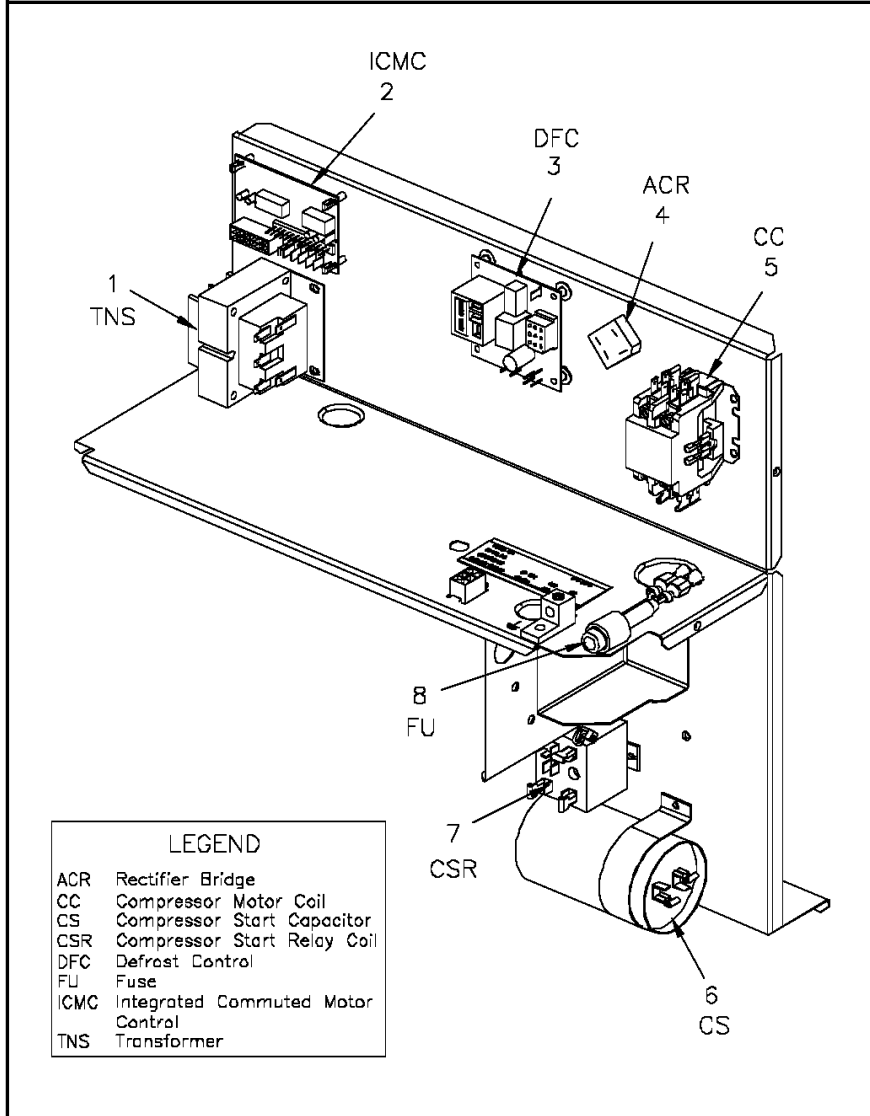
Part No.	Reference No.	Quantity	Description
FAN03849	1	1	FAN; SWEPT BLADE, 2 BLADE, ALUMINUM, 28 IN DIA, 30 DEG PITCH, .50 IN BORE, CCW, 1 SET SCREW-STEEL, FINISH/PAINT
GRD01440	2	1	GUARD; TROUGH-LEAD
MOT13829	3	1	MOTOR; OUTDOOR, 1/4 HP, 200-230/60/1, 825 RPM, TYPE PSC, CCW, SLEEVE BEARINGS, 7.5 MFD CPT AT 370V
GRL01530	4	1	GRILL; OUTDOOR FAN, 30.64 IN MOUNTING DIA
SCR02086	5	4	SCREW; 10-32 TR-3 HW 3/8 S

Controls

75008952

REV
A

Typical illustration. Unit may not appear exactly as shown.



Parts List Number :75008360#4WCZ6UP4

Model Number :4WCZ6060B1000AA

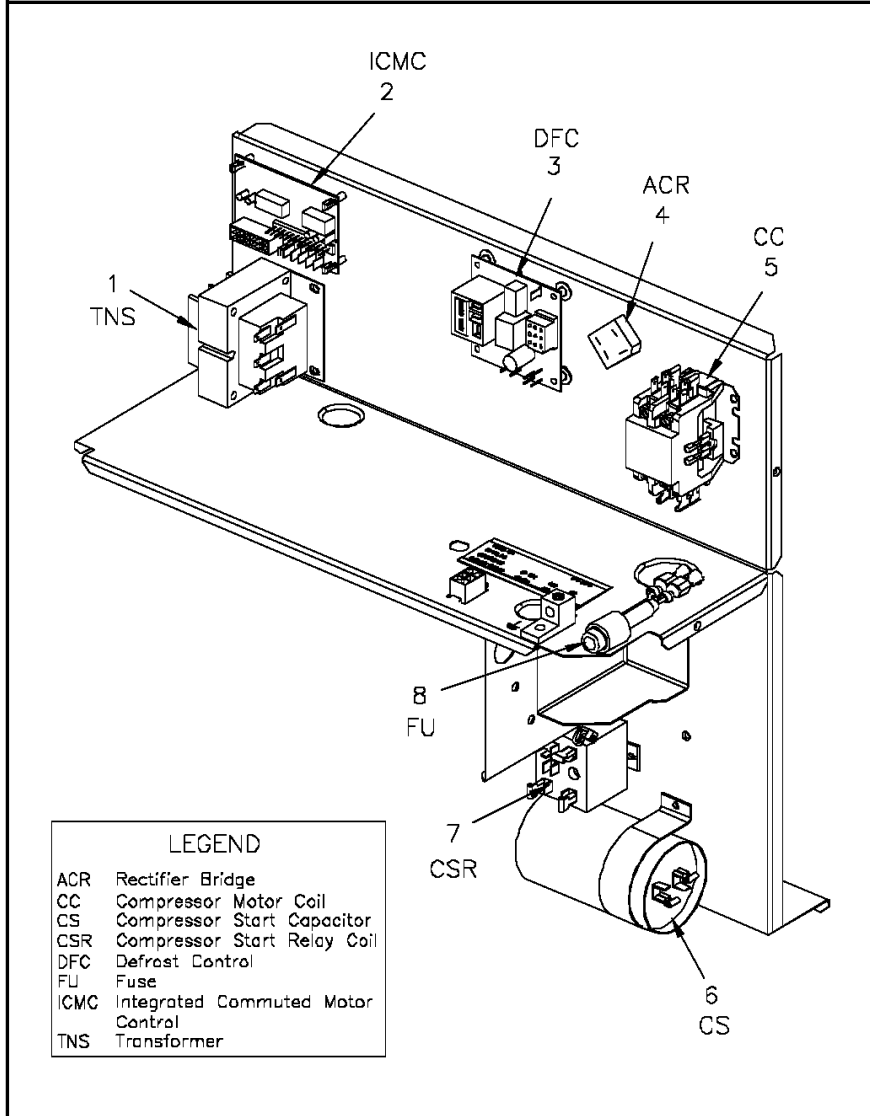
Part No.	Reference No.	Quantity	Description
75008952_4WCZ6UP4_262198-P	*		CONTROLS PARTS LIST

Controls

75008952

REV
A

Typical illustration. Unit may not appear exactly as shown.



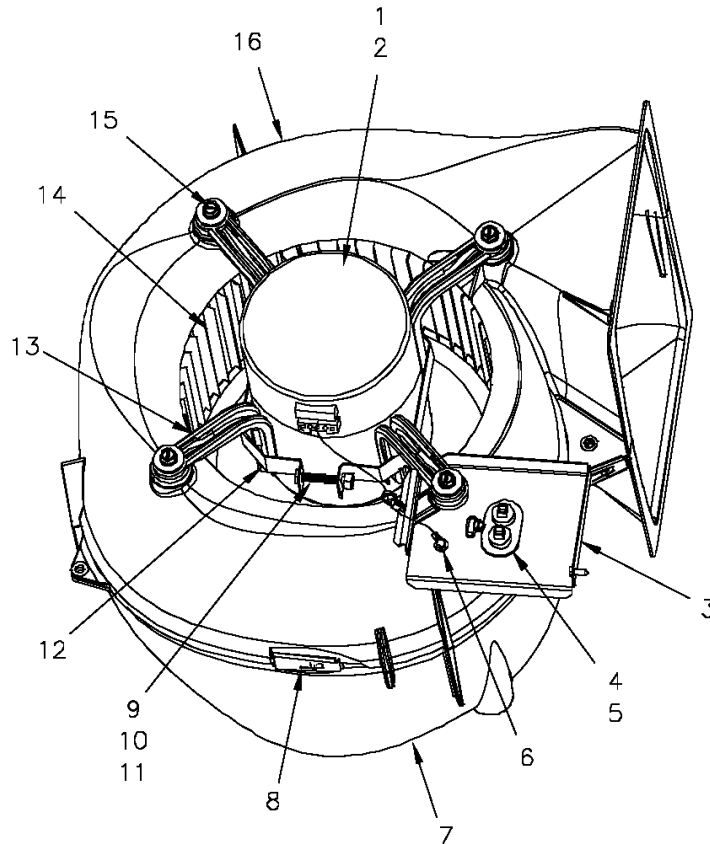
Part No.	Reference No.	Quantity	Description
LUG00014	*	1	LUG, GROUND
SEN01510	*	1	SENSOR; ASSEMBLY-AMBIENT, 83/85 IN LENGTH WIRES
WIR04492	*	1	WIRE; HARNESS, START KIT
WIR05390	*	1	WIRE; HARNESS, CONTROLS. INCLUDES HIGH AND LOW VOLTAGE HARNESSES
TRR01558	1	1	TRANSFORMER; 75VA, 200/230V PRI, 24V SEC, QUICK CONNECTS
CNT03600	2	1	CONTROL; ICM FAN, PWB, 16 PIN
CNT04364	3	1	CONTROL; DEFROST (USE ON PACKAGED HEAT PUMPS ONLY: 2WC*, 4WC*, 4DC*)
RTF00058	4	1	RECTIFIER; BRIDGE
CTR01333	5	1	CONTACTOR; 2 POLE, NO, 40 FLA AT 240V, 50/60 HZ, 50 RES AMPS, 24V COIL, 40 FLA AT 277/480/600V
CPT00091	6	1	CAPACITOR; START, 135-155 MFD, 330V, ROUND, W/ RESISTOR
RLY03148	7	1	RELAY, START, 50A COIL, 383 CONTINUOUS COIL RATING, 60 HZ, 160-170V HOT PICKUP, 153-165V PICK UP, 55-115V DROP OUT, 5600 COIL RESISTANCE
FUS01776	8	1	FUSE; 3.2 AMP, WITH HOLDER AND QUICK CONNECTS

Blower

75008695

REV
A

Typical illustration. Unit may not appear exactly as shown.



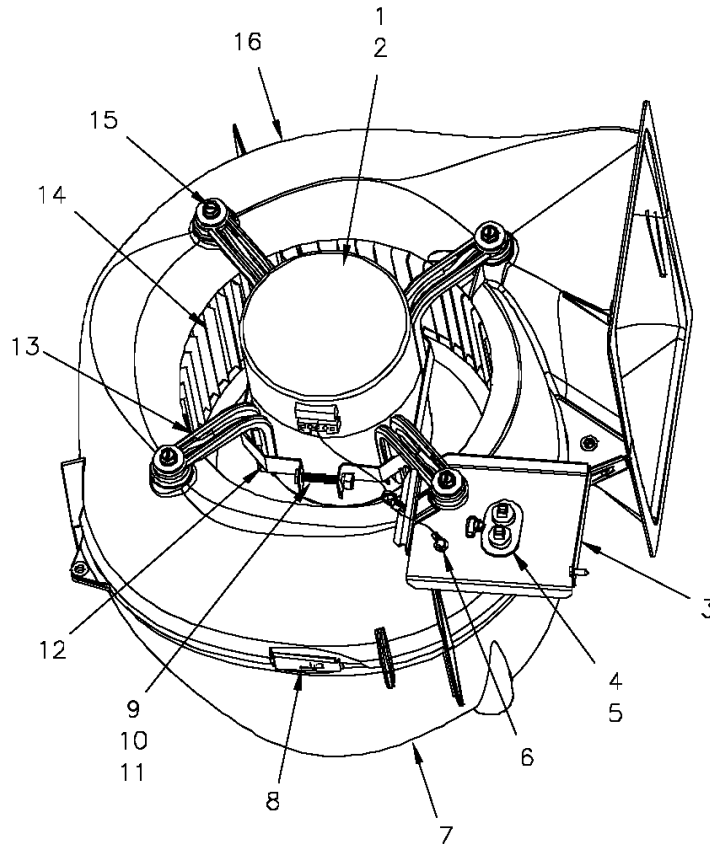
Part No.	Reference No.	Quantity	Description
75008695_4WCZ6UP4_183545-P	*		BLOWER PARTS LIST

Blower

75008695

REV
A

Typical illustration. Unit may not appear exactly as shown.



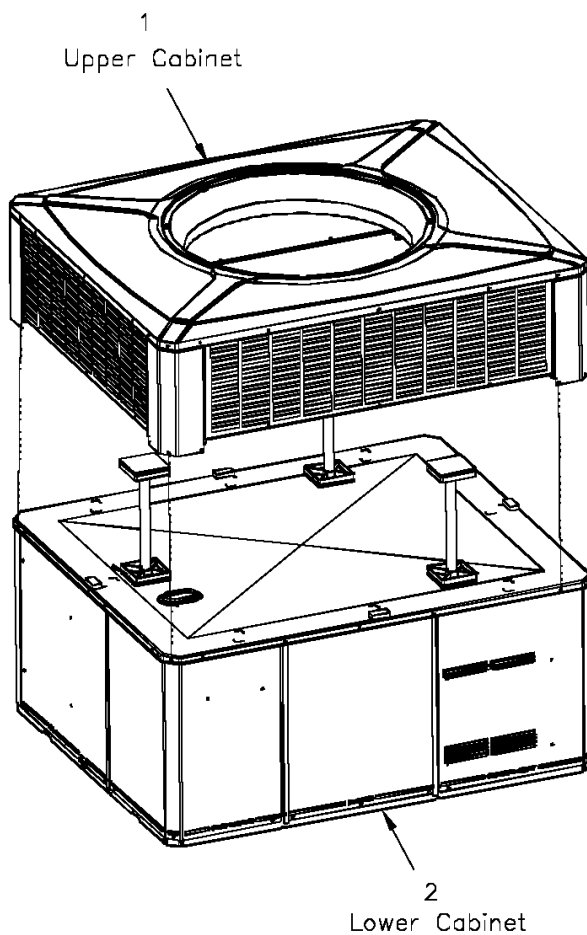
Part No.	Reference No.	Quantity	Description
BLW01047	*	1	BLOWER; ASSEMBLY COMPLETE
MOT15146	1	1	MOTOR; ECM VS MOTOR MODULE SET; 1 HP; 115/230 VOLTAGE; PROGRAMMED
MOD02296	2	1	MODULE; EON, ELECTRONIC MOTOR CONTROL, VARIABLE SPEED PROGRAMMED
BRK03543	3	1	BRACKET; BLOWER RETAINER, 4.32 X 5.64
CPT00477	4	1	CAPACITOR; RUN, 7.5 MFD, 370VAC, OVAL, W/O RESISTOR
SCR00998	5	1	SCREW; 10-16 B HXW 1/2 S
SCR00968	6	1	SCREW; 10-16 HEX WASHER, TYPE B, THREAD FORMING SCREW, 0.31 THREAD LENGTH, STEEL W/ZINC FINISH
HUS03825	7	1	HOUSING; BLOWER RIGHT SIDE WITHOUT MOUNTING HOLES, MOLDED GLASS FIBER POLYESTER, COLOR: NATURAL
CLP01088	8	4	CLIP; CLEAT-BLOWER
SCR01584	9	1	BOLT; 1/4-20 MA HX 1.5 S
NUT00487	10	1	NUT; STEEL HEX, 1/4-20
WAS00646	11	1	WASHER; STEEL SPRING LOCK, 1/4 INCH
BND00026	12	1	BAND; MOTOR MOUNT
BRK03396	13	4	BRACKET; ARM-MOTOR
WHL02557	14	1	WHEEL; BLOWER, 53 BLADES, CCW, CONCAVE DISC, 11.75 X 10.62
SCR02112	15	4	SCREW; ASSEMBLY-MOTOR MOUNT
HUS03824	16	1	HOUSING; BLOWER LEFT SIDE WITH 4 MOUNTING HOLES, MOLDED GLASS FIBER POLYESTER, COLOR: NATURAL

Cabinet

75008359

REV
A

Typical illustration. Unit may not appear exactly as shown.



View is determined by facing Appearance Nameplate

Parts List Number :75008360#4WCZ6UP4

Model Number :4WCZ6060B1000AA

Part No.	Reference No.	Quantity	Description
75008359_4WCZ6UP4_174387~P	*		CABINET PARTS LIST
75008380#4WCZ6UP4~S	*		LOWER CABINET
75008693#4WCZ6UP4~S	*		UPPER CABINET

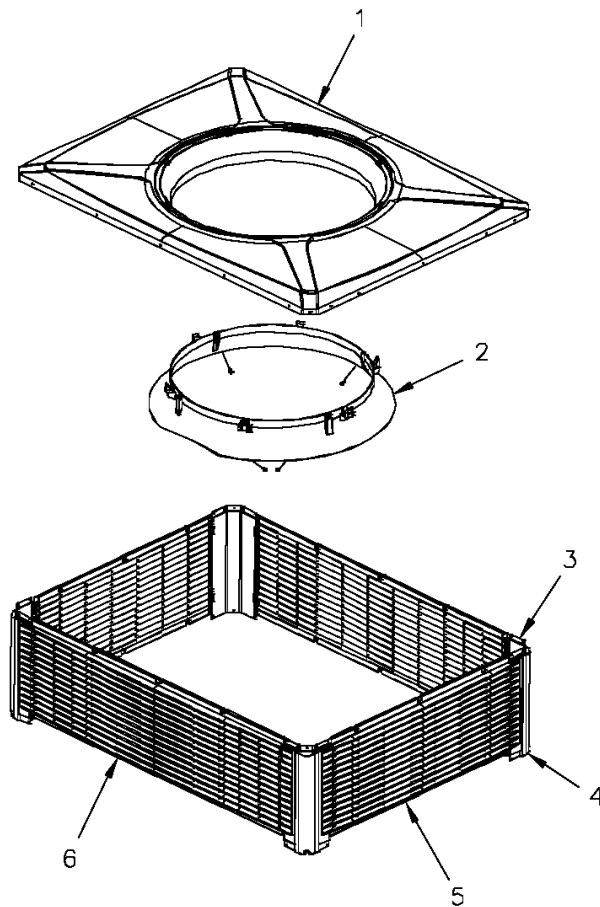
Cabinet

75008693

REV
A

upper

Typical illustration. Unit may not appear exactly as shown.



Parts List Number :75008360#4WCZ6UP4

Model Number :4WCZ6060B1000AA

Part No.	Reference No.	Quantity	Description
75008693_4WCZ6UP4_241339-P	*		UPPER CABINET PARTS LIST

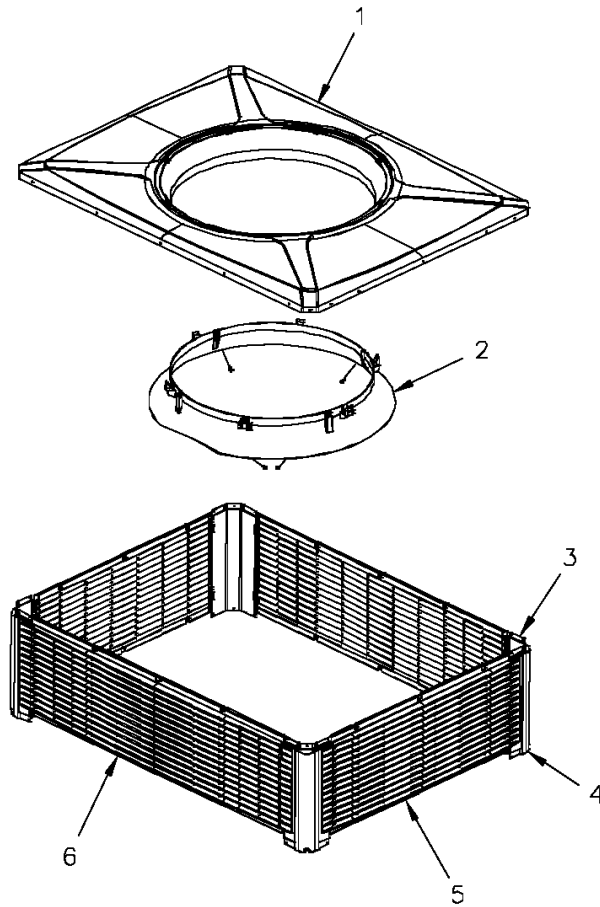
Cabinet

75008693

REV
A

upper

Typical illustration. Unit may not appear exactly as shown.



Part No.	Reference No.	Quantity	Description
BRK03610	*	16	BRACKET; PLASTIC LOUVER, 2.0 X .63 X .53
NUT00640	*	12	NUT, SPEED
RIV00096	*	4	RIVET; BLIND, STAINLESS STEEL
SCR01510	*	24	SCREW; 10-16 AB HXW 1/2 SN
SUP05014	*	3	SUPPORT; OD COIL, BOTTOM, 4X4, INCLUDES GASKET
SUP05015	*	3	SUPPORT; OD COIL, TOP, 4X4, INCLUDES GASKET
TUB12285	*	3	TUBE; SUPPORT, TOP PIPE, .75 DIA, SCHEDULE 40 GREY PVC, 16.46 INCHES
COV03695	1	1	COVER; OUTDOOR, TOP, 58.33 X 44.08
ORF01443	2	1	ORIFICE; INLET, 34.12 OUTSIDE DIA, 28.28 INSIDE DIA
PNL22004	3	4	PANEL; CORNER POST, 17.84 H
GRD01915	4	4	GUARD; BUMPER, UPPER CORNER, 16.81 H X 6.83 W
PNL22188	5	2	PANEL; PLASTIC LOUVER, 38.86 X 17.40 - INCLUDES SPEED NUTS AND MOUNTING BRACKETS.
PNL22192	6	2	PANEL; PLASTIC LOUVER, 53.12 X 17.40 - INCLUDES SPEED NUTS AND MOUNTING BRACKETS.

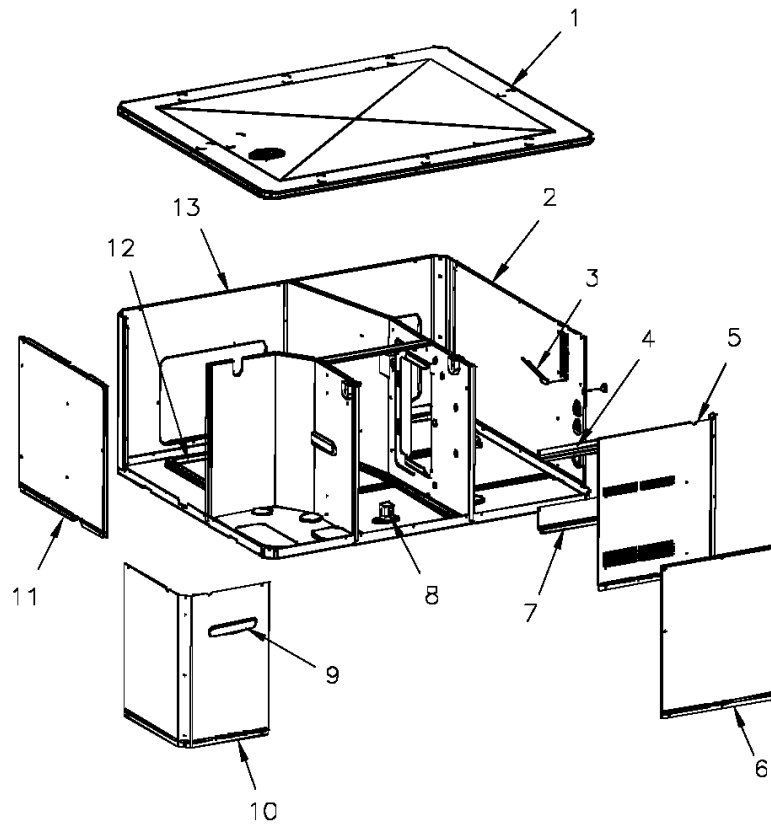
Cabinet

75008380

REV
A

lower

Typical illustration. Unit may not appear exactly as shown.



View is determined by facing Appearance Nameplate

Parts List Number :75008360#4WCZ6UP4

Model Number :4WCZ6060B1000AA

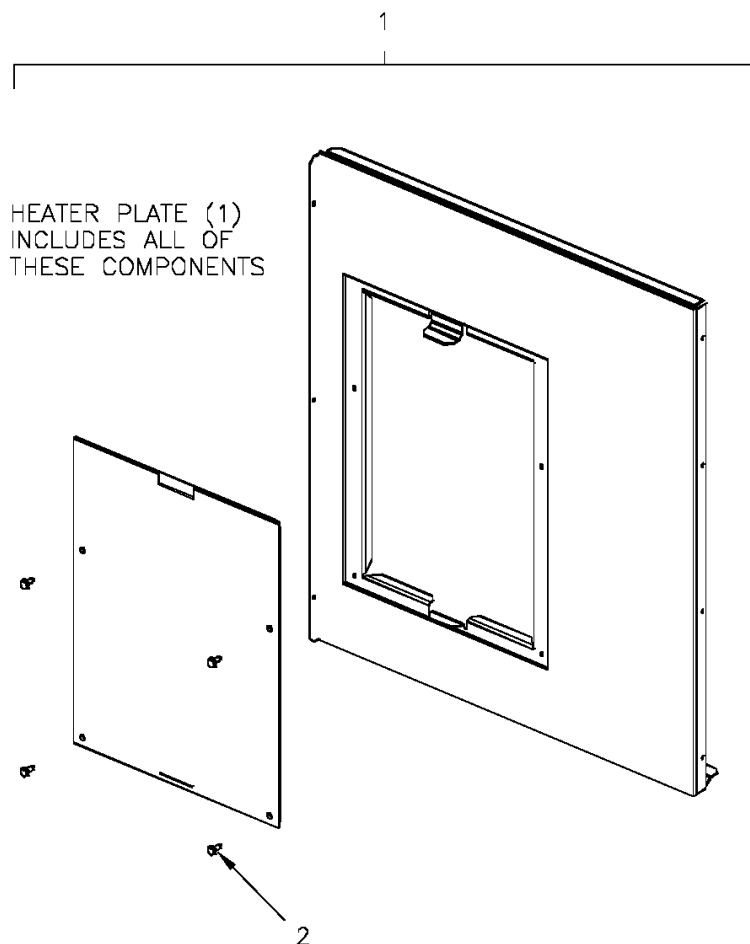
Part No.	Reference No.	Quantity	Description
75008355#4WCZ6UP4~S	*		ELECTRIC HEATER PLATE
75008380_4WCZ6UP4_174389~P	*		LOWER CABINET PARTS LIST

Electric Heater Plate

75008355

REV
A

Typical illustration. Unit may not appear exactly as shown.



ELECTRIC HEATER PLATE

Parts List Number :75008360#4WCZ6UP4

Model Number :4WCZ6060B1000AA

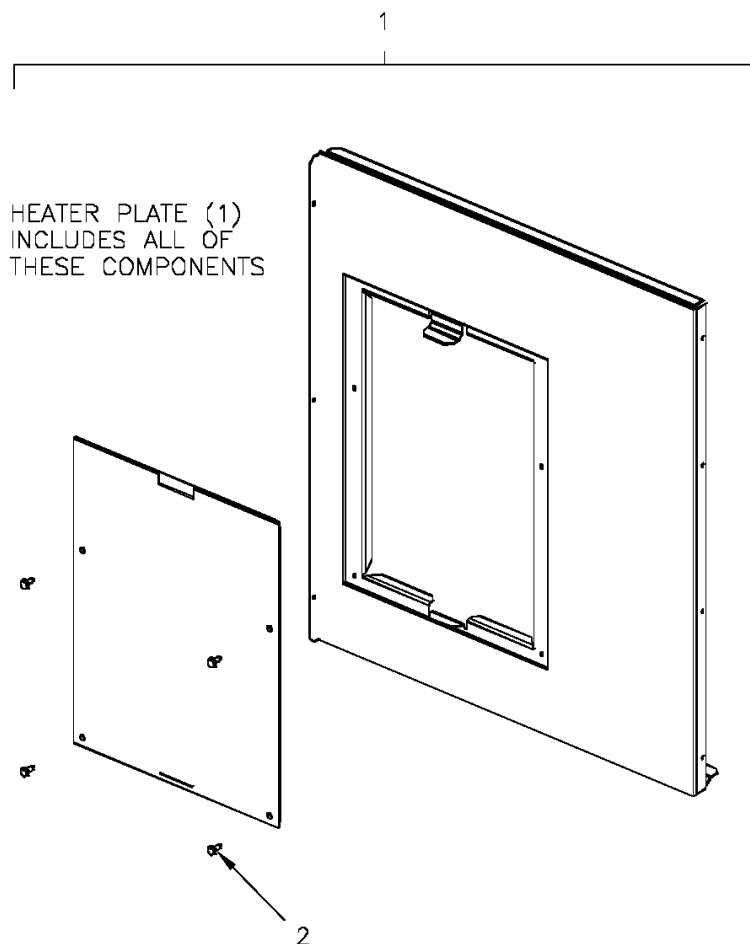
Part No.	Reference No.	Quantity	Description
75008355_4WCZ6UP4_174393-P	*		ELECTRIC HEATER PLATE PARTS LIST

Electric Heater Plate

75008355

REV
A

Typical illustration. Unit may not appear exactly as shown.



Part No.	Reference No.	Quantity	Description
PLT04182	1	1	PLATE; ELECTRIC HEATER, 21.15 x 18.30. INCLUDES BARRIER AND PLATE
SCR01510	2	12	SCREW; 10-16 AB HXW 1/2 SN

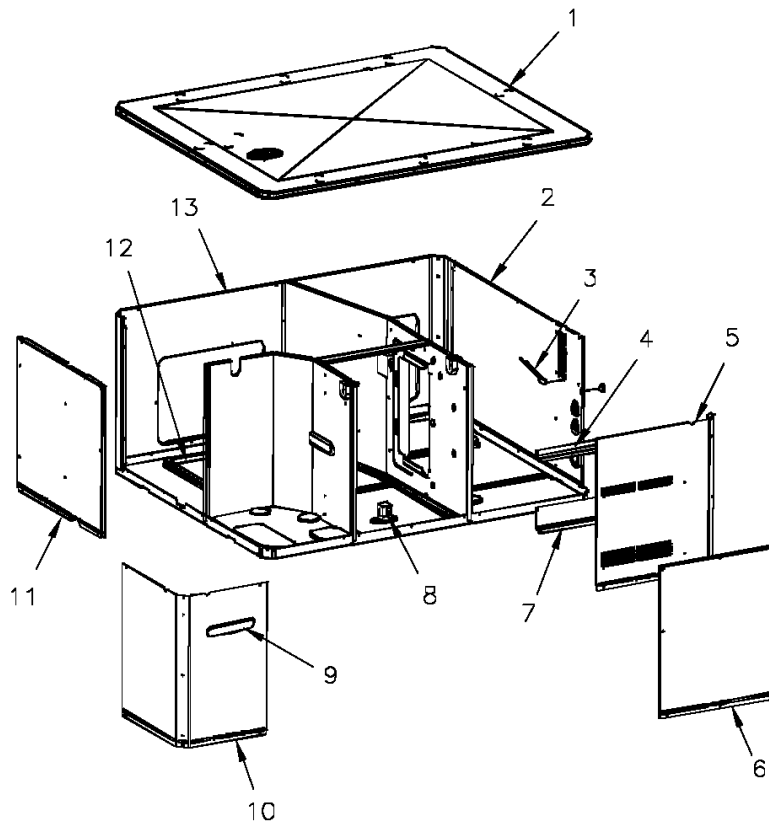
Cabinet

75008380

REV
A

lower

Typical illustration. Unit may not appear exactly as shown.



View is determined by facing Appearance Nameplate

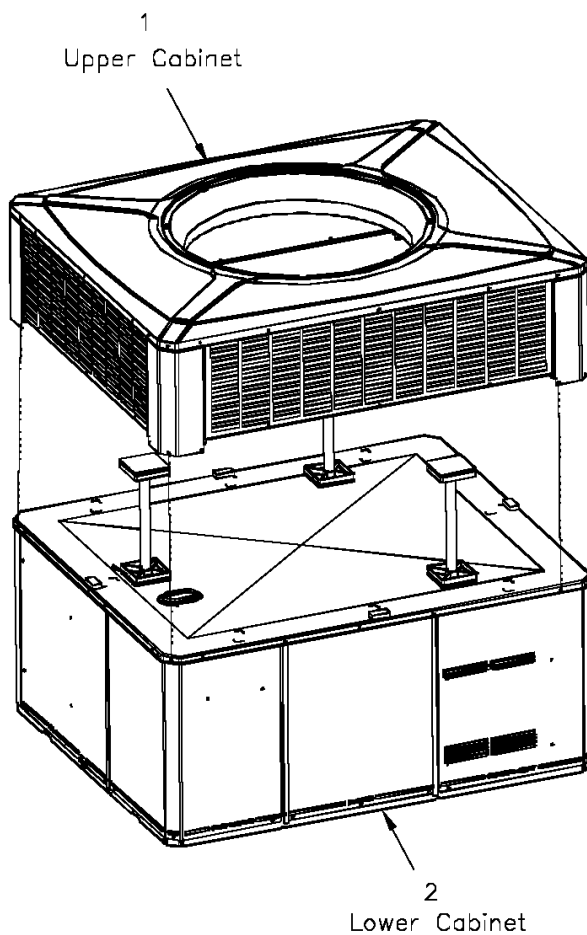
Part No.	Reference No.	Quantity	Description
GRM00118	*	1	GROMMET; 3/16 IN ID, NEOPRENE
COV03697	1	1	COVER; INDOOR, TOP, 58.33 X 44.08
PNL22037	2	1	PANEL; ELECTRIC HEAT ACCESS, 38.49 X 20.91
SHD00397	3	1	SHIELD; LOUVER, TOP, 5.0 X 1.9
SHD00396	4	1	SHIELD; LOUVER, CONTROL ACCESS PANEL, 12.95 X 1.50
PNL22041	5	1	PANEL; CONTROL/HEAT ACCESS, 17.93 X 20.70
PNL22014	6	1	PANEL; BLOWER ACCESS, 27.36 X 20.70
SHD00395	7	1	SHIELD; LOUVER, CONTROL ACCESS PANEL, 12.95 X 3.40
BRK03544	8	1	BRACKET; BLOWER SUPPORT, U-SHAPED, 3.00 X 2.00 X 2.83
PLT04416	9	1	PLATE; APPEARANCE NAMEPLATE, TRANE XL16C, 9.0 X 1.82
PNL21998	10	1	PANEL; COMPRESSOR ACCESS, 20.7 X 12.7 & 20.7 X 15.5
PNL22040	11	1	PANEL; INDOOR COIL ACCESS, 25.42 X 20.70
COV03699	12	2	COVER; SUPPLY AND RETURN, 17.88 X 14.88
PNL22193	13	1	PANEL; SUPPLY AND RETURN, 58.13 X 20.88

Cabinet

75008359

REV
A

Typical illustration. Unit may not appear exactly as shown.

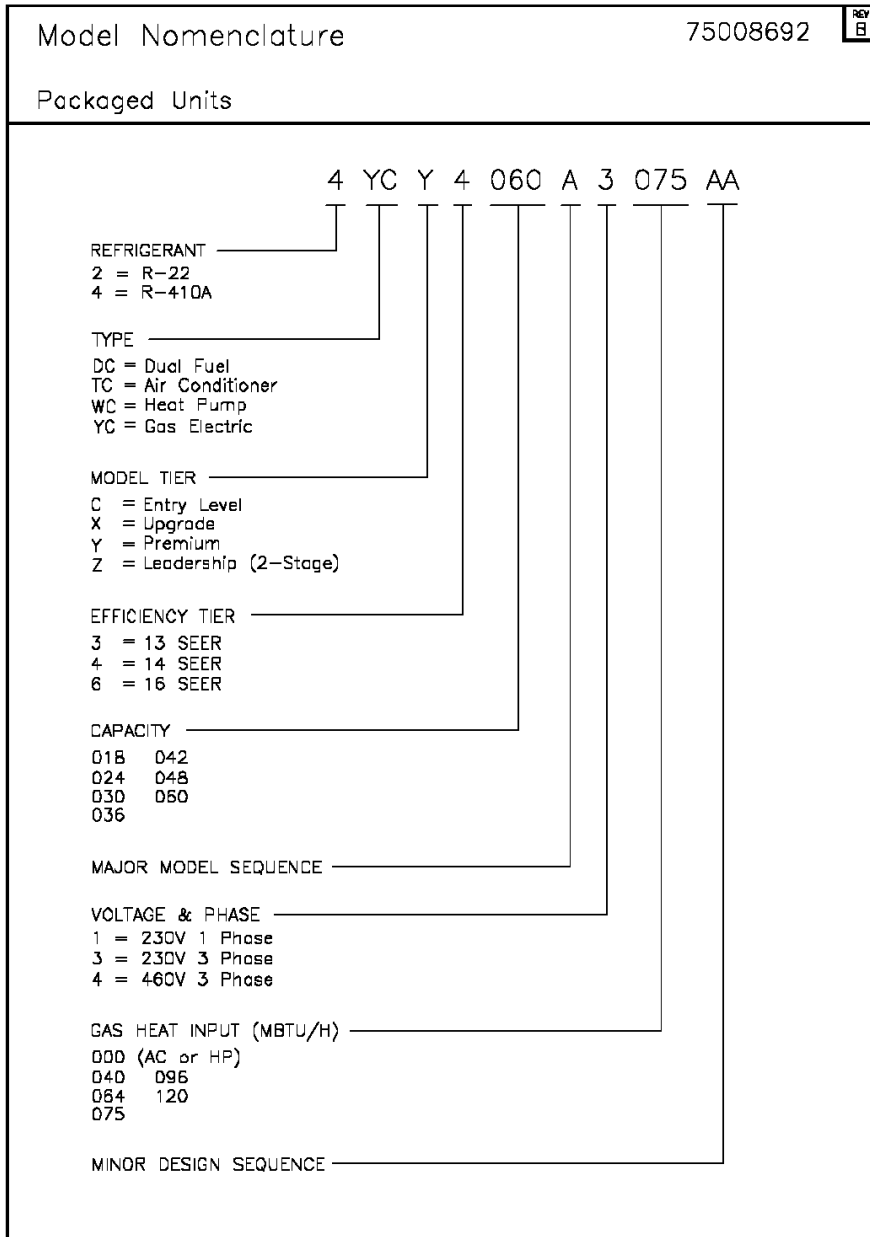


View is determined by facing Appearance Nameplate

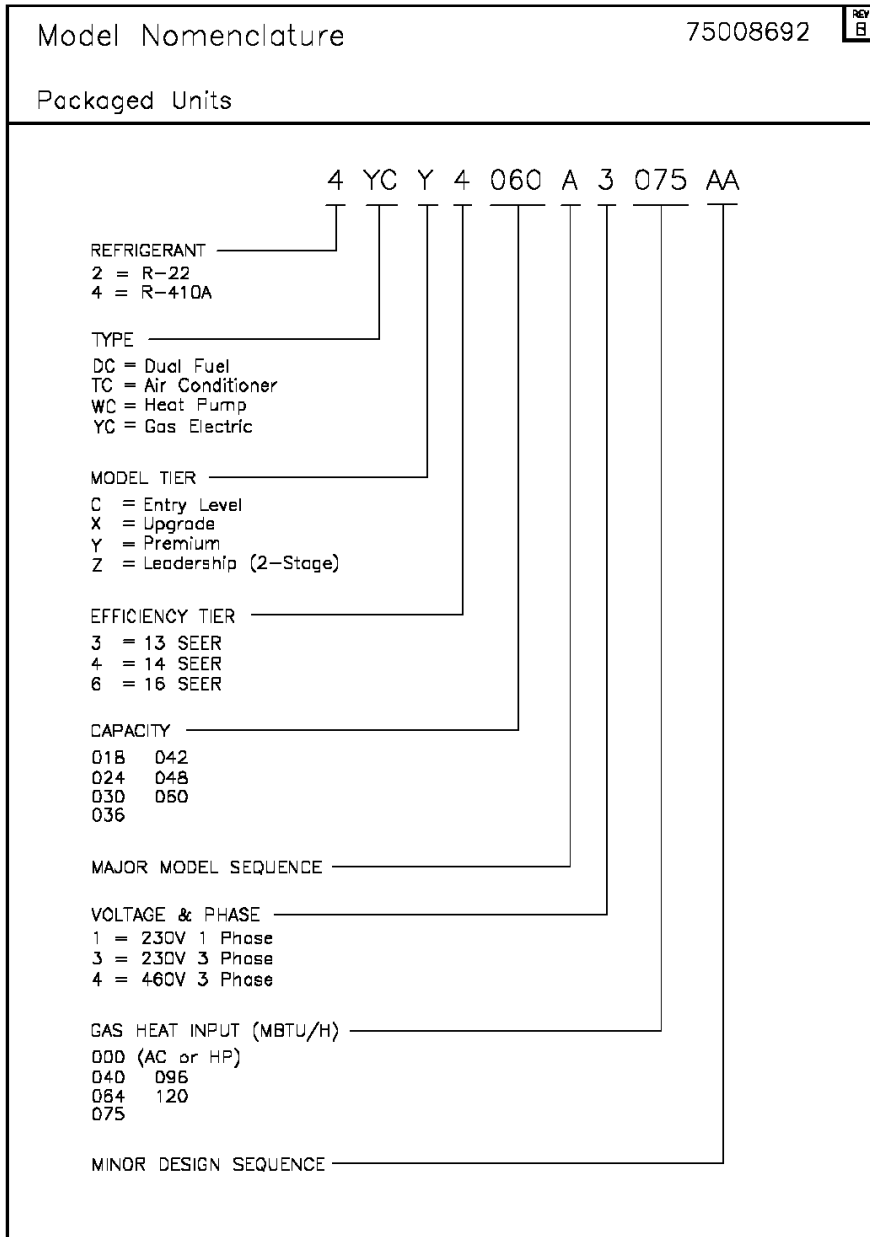
Parts List Number :75008360#4WCZ6UP4

Model Number :4WCZ6060B1000AA

Part No.	Reference No.	Quantity	Description
PAI00074	*	1	PAINT; SPRAY, SLATE GREY, FULL GLOSS(88) (SHIPPING UOM 12 OZ HAZ)



Part No.	Reference No.	Quantity	Description
75008692_4WCZ6UP4_174398-P	*		MODEL NOMENCLATURE PARTS LIST



OPTIONAL EQUIPMENT

Parts List Number :75008360#4WCZ6UP4

Model Number :4WCZ6060B1000AA

Part No.	Reference No.	Quantity	Description
NGRAPHIC_4WCZ6UP4_262199 ~P	*		OPTIONAL EQUIPMENT PARTS LIST

NO GRAPHIC AVAILABLE

75013702

REV
A

**NO
GRAPHIC
AVAILABLE**

Part No.	Reference No.	Quantity	Description
BAYACCDOR2A	*	1	KIT; ACCESS DOOR, 3-1/2 TO 5 TON MODELS (BAYACCDOR2AA)
BAYADAP052A	*	1	KIT; CURB ADAPTER (BAYADAP052AA)
BAYADAP053A	*	1	KIT; CURB ADAPTER (BAYADAP053AA)
BAYADAP054A	*	1	KIT; CURB ADAPTER (BAYADAP054AA)
BAYCCHT102A	*	1	KIT; CRANKCASE HEATER, 230V SCROLL COMPRESSORS (BAYCCHT102AA) 6.5-7.5 DIA, 60W, 110L
BAYCOVR112A	*	1	KIT; 12 INCH DUCT SHROUD COVERS HORIZONTAL (BAYCOVR112AA)
BAYCOVR118A	*	1	KIT; 18 INCH DUCT SHROUD COVERS HORIZONTAL (BAYCOVR118AA)
BAYCURB051A	*	1	KIT; FULL PERIMETER ROOF MOUNTING CURB (BAYCURB051AA)
BAYDMPR102A	*	1	KIT; OUTSIDE AIR, 2 POS DAMPER (BAYDMPR102AA)
BAYENTH001A	*	1	KIT; ENTHALPY CONTROL (BAYENTH001AB)
BAYEXMK001A	*	1	KIT; EXTREME CONDITION MOUNTING KIT, USED WITH BAYCURB
BAYEXMK002B	*	1	KIT; EXTREME CONDITION MOUNTING KIT, USED WITH BAYUTIL
BAYEXMK003A	*	1	KIT; EXTREME CONDITION MOUNTING KIT, SLAB MOUNTING
BAYHTRV105F	*	1	HEATER; ELECTRIC, 3.76/5.0 KW, 208/240/1 (BAYHTRV105FA)
BAYHTRV108F	*	1	HEATER; ELECTRIC, 6.0/8.0 KW, 208/240/1 (BAYHTRV108FA)
BAYHTRV110F	*	1	HEATER; ELECTRIC, 7.51/10.0 KW, 208/240/1 (BAYHTRV110FA)
BAYHTRV115F	*	1	HEATER; ELECTRIC, 11.27/15.0 KW, 208/240/1 (BAYHTRV115FA)
BAYLIFT002B	*	1	KIT; LIFTING LUGS-BAYLIFT002B (CTN = 6 PIECES)
BAYLOAM011A	*	1	KIT; LOW AMBIENT COOLING, EVAPORATOR DEFROST CONTROL (BAYLOAM011AB)
BAYLOAM105A	*	1	KIT; LOW AMBIENT COOLING, HEAD PRESSURE CONTROL (BAYLOAM105AA)
BAYOSAC001B	*	1	KIT; OUTSIDE AIR CONTROL (BAYOSAC001BA)
BAYOSAH002A	*	1	KIT; OUTSIDE AIR, MANUAL DAMPER (BAYOSAH002AA)
BAYRLAY006A	*	1	KIT; ECONOMIZER RELAY (BAYRLAY006AA)
BAYSPEK062F	*	1	KIT; SINGLE POWER ENTRY (BAYSPEK062F)
BAYSPEK063F	*	1	KIT; SINGLE POWER ENTRY (BAYSPEK063F)
BAYSQRD002A	*	1	KIT; SQUARE/ROUND DUCT ADAPTER (BAYSQRD002AB)
BAYUV102A	*	1	36 WATT UV LIGHT KIT FOR MEDIUM PACKAGED UNITS
ECN00125	*	1	ECONOMIZER; DOWN DISCHARGE, AND RAIN HOOD (BAYECON104AA)
ECN00127	*	1	ECONOMIZER; HORIZONTAL (BAYECON204AA)
HTR08655	*	1	HEATER; ELECTRIC, 15.02/20.0 KW, 208/240/1 (BAYHTRV120EA)
HTR08656	*	1	HEATER; ELECTRIC, 18.78/25.0 KW, 208/240/1 (BAYHTRV125EA)
KIT15097	*	1	KIT; FILTER FRAME (BAYFLTR201BA). USE (1) 20 X 20, PLUS (1) 20 X 18 FILTER - NOT INCLUDED.
KIT15326	*	1	KIT; ROOF CURB UTILITY EXTENSION KIT (BAYUTIL102BA)
KIT15406	*	1	KIT; ECONOMIZER, HINGED FILTER ACCESS DOOR AND FILTER FRAME (BAYECONCOMB104A)
THT00839	*	1	THERMOSTAT; REMOTE POTENTIOMETER, 60-90 DEG F (BAYSTAT023AA)
TMR00140	*	1	TIMER; ANTISHORT CYCLE (BAYASCT001)