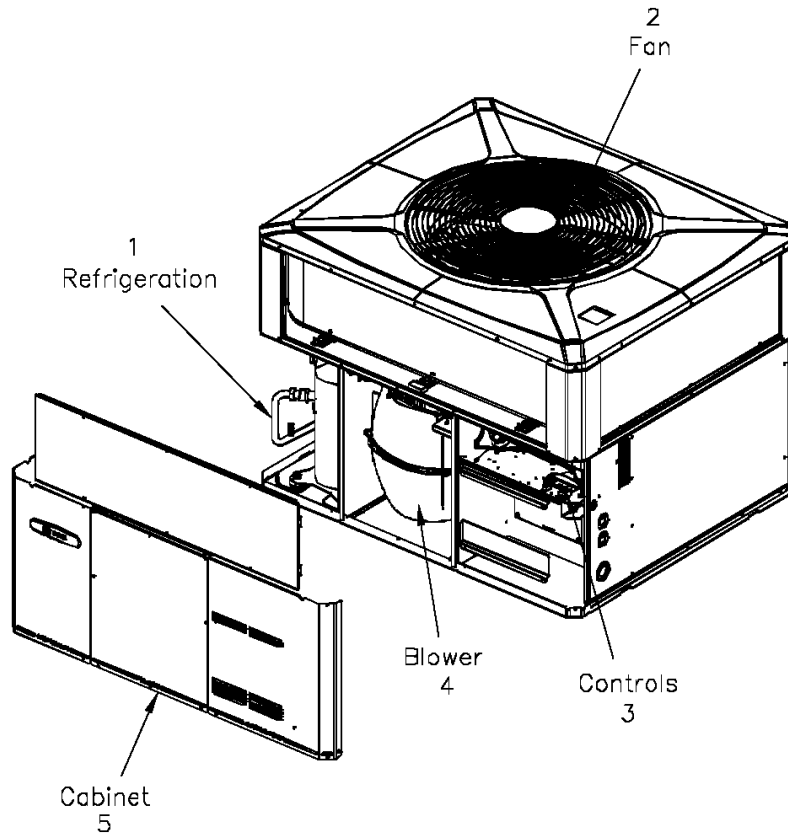


General Assembly

75008360

REV
A

Typical illustration. Unit may not appear exactly as shown.



View is determined by facing Appearance Nameplate

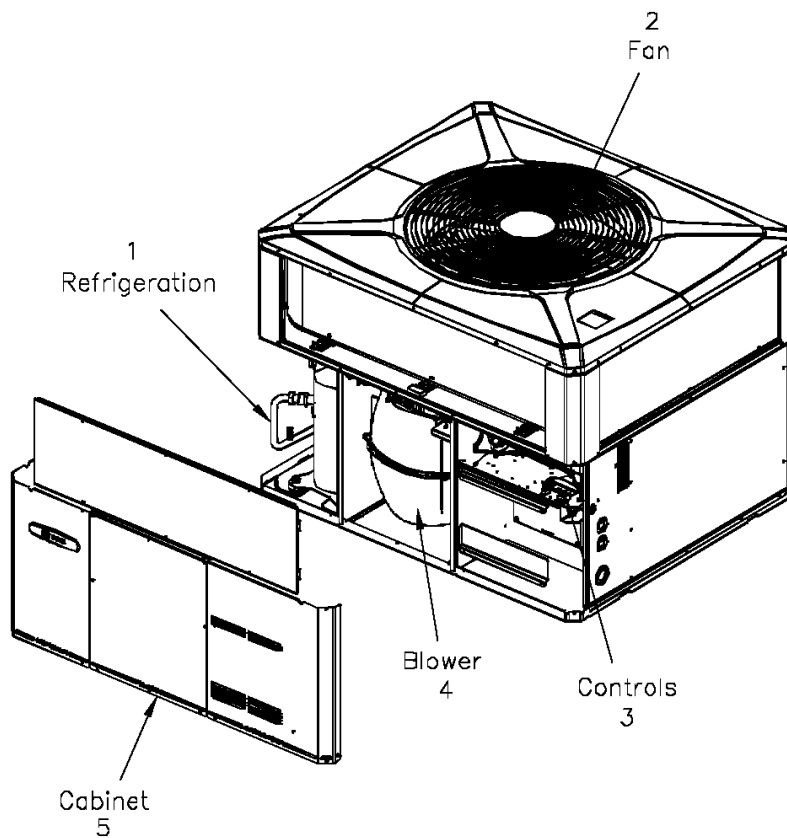
Part No.	Reference No.	Quantity	Description
75008694#4WCZ6UP2~S	*		BLOWER
75008359#4WCZ6UP2~S	*		CABINET
75008951#4WCZ6UP2~S	*		CONTROLS
75008352#4WCZ6UP2~S	*		FAN
75008360_4WCZ6UP2_200518~P	*		GENERAL ASSEMBLY PARTS LIST
75008692#4WCZ6UP2~S	*		MODEL NOMENCLATURE
NGRAPHIC#4WCZ6UP2~S	*		OPTIONAL FIELD INSTALLED ACCESSORIES
75008353#4WCZ6UP2~S	*		REFRIGERATION

General Assembly

75008360

REV
A

Typical illustration. Unit may not appear exactly as shown.



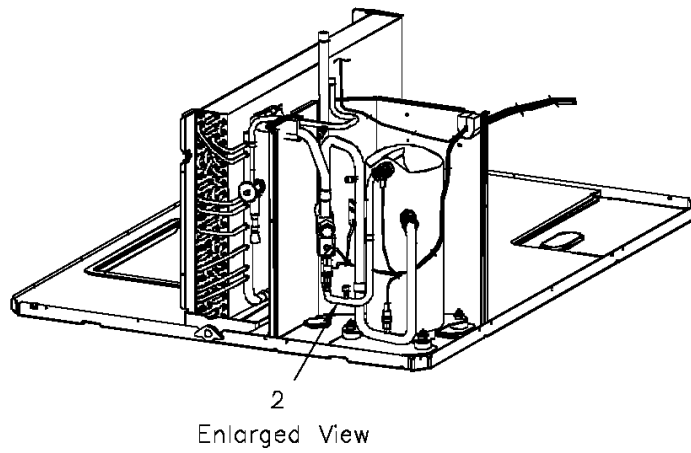
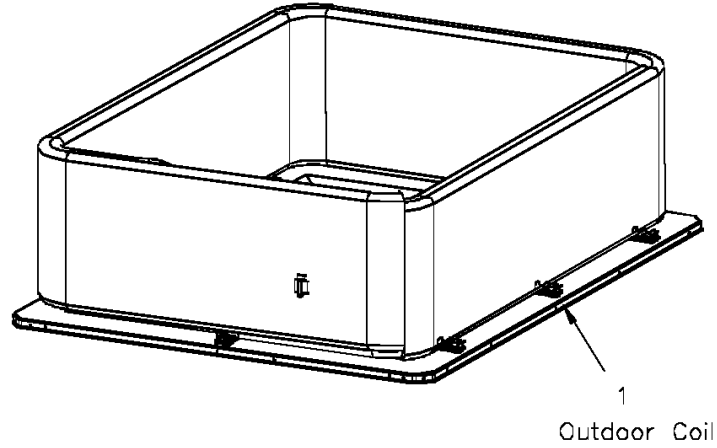
View is determined by facing Appearance Nameplate

Refrigeration

75008353

REV
A

Typical illustration. Unit may not appear exactly as shown.



REFRIGERATION

Parts List Number :75008360#4WCZ6UP2

Model Number :4WCZ6060A4000BA

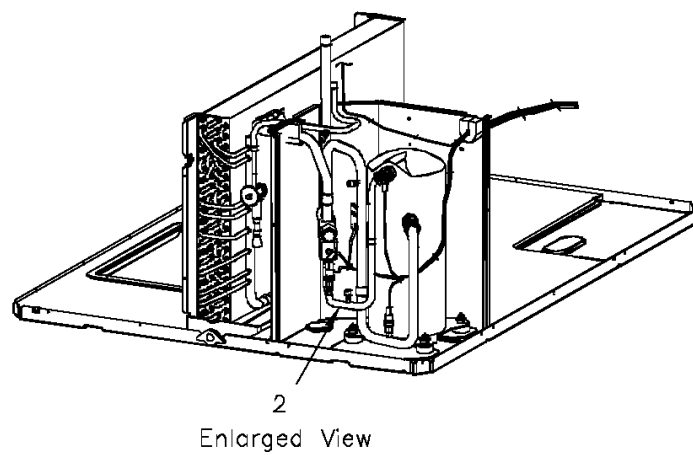
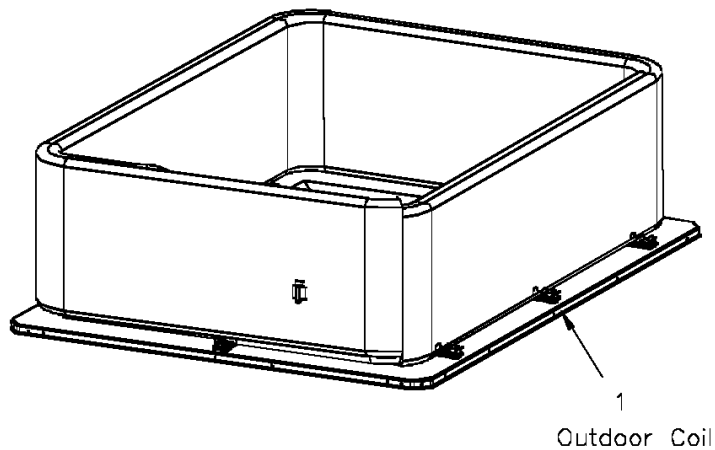
Part No.	Reference No.	Quantity	Description
75008371#4WCZ6UP2~S	*		ENLARGED VIEW
75008354#4WCZ6UP2~S	*		OUTDOOR COIL
75008353_4WCZ6UP2_200520~P	*		REFRIGERATION PARTS LIST

Refrigeration

75008353

REV
A

Typical illustration. Unit may not appear exactly as shown.

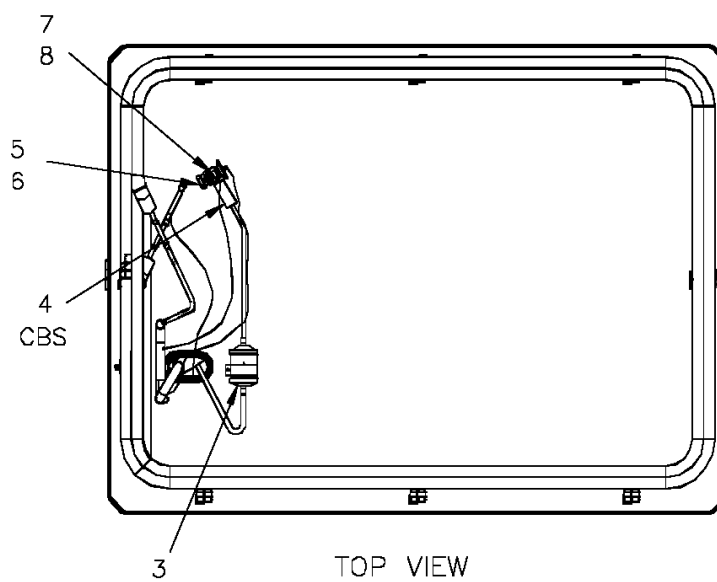
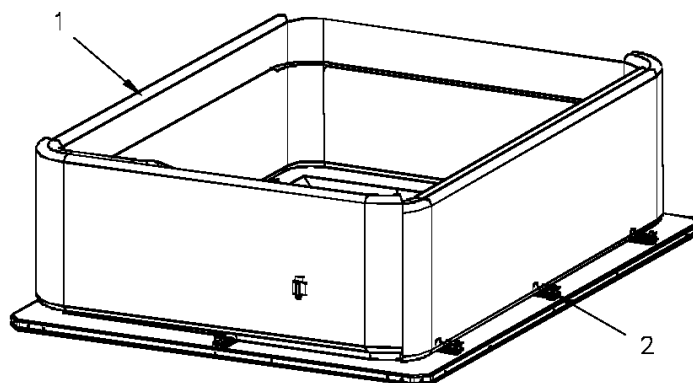


Outdoor Coil

75008354

REV
A

Typical illustration. Unit may not appear exactly as shown.



OUTDOOR COIL

Parts List Number :75008360#4WCZ6UP2

Model Number :4WCZ6060A4000BA

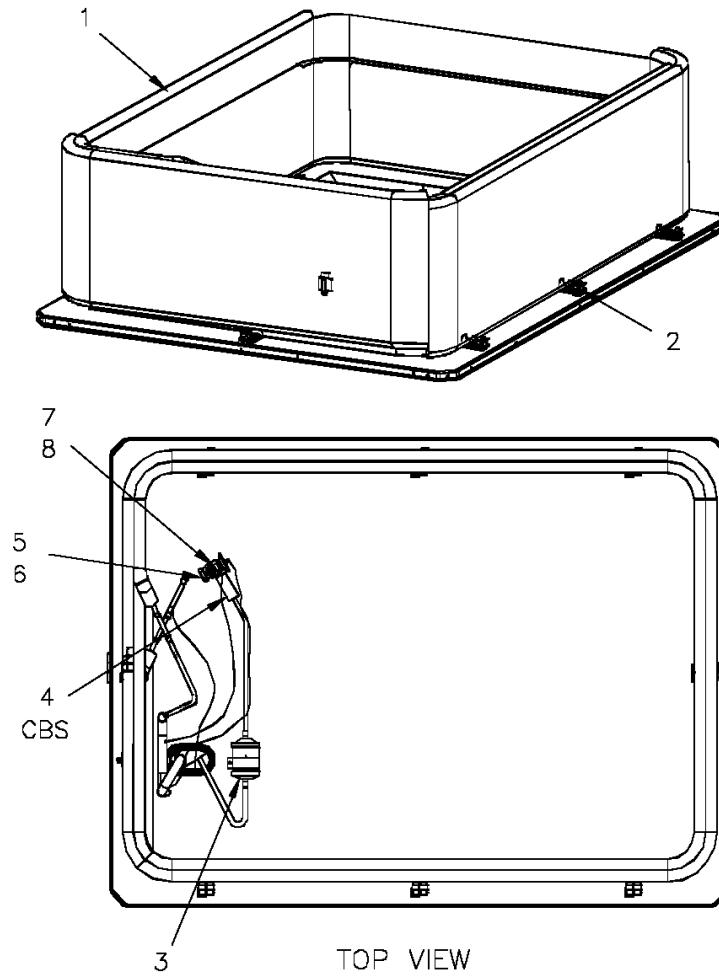
Part No.	Reference No.	Quantity	Description
75008354_4WCZ6UP2_278595-P	*		OUTDOOR COIL PARTS LIST

Outdoor Coil

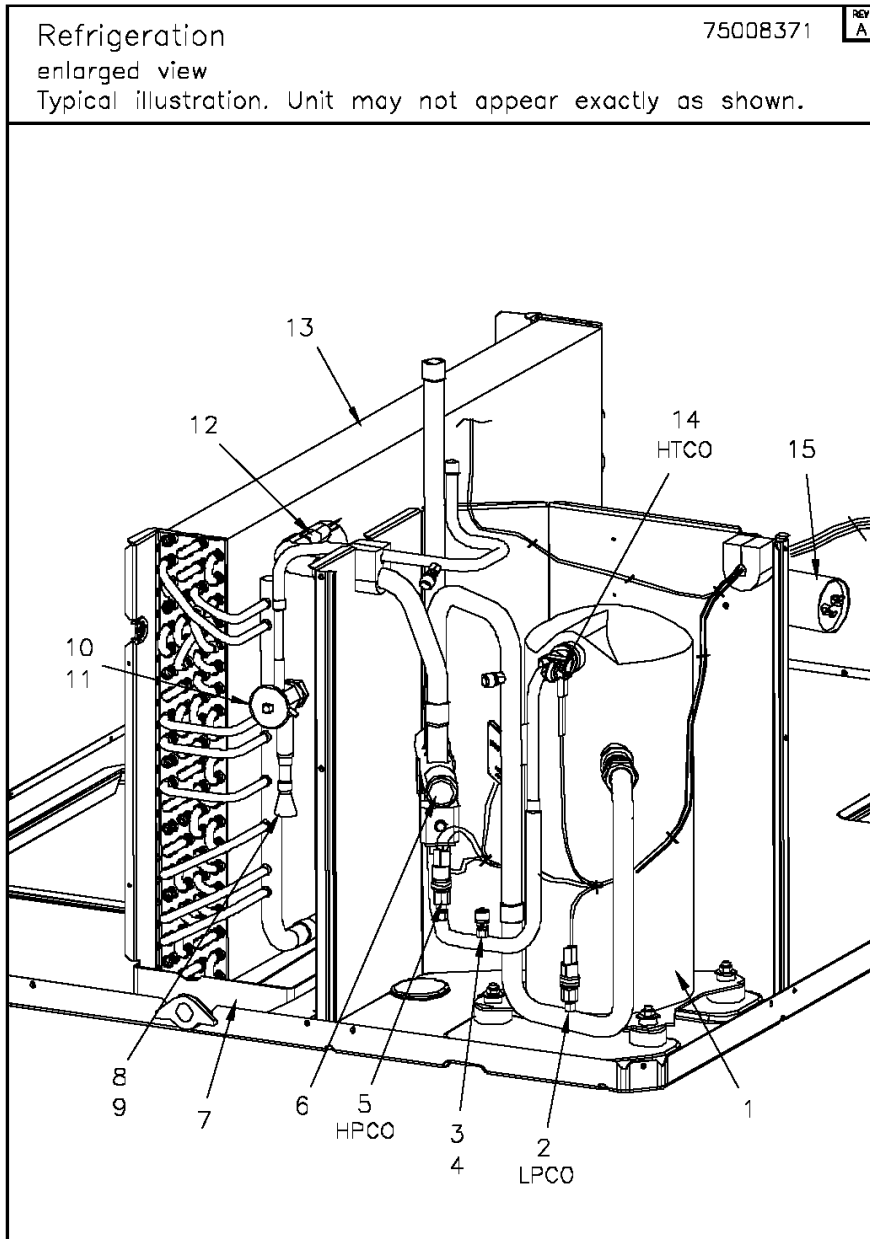
75008354

REV
A

Typical illustration. Unit may not appear exactly as shown.



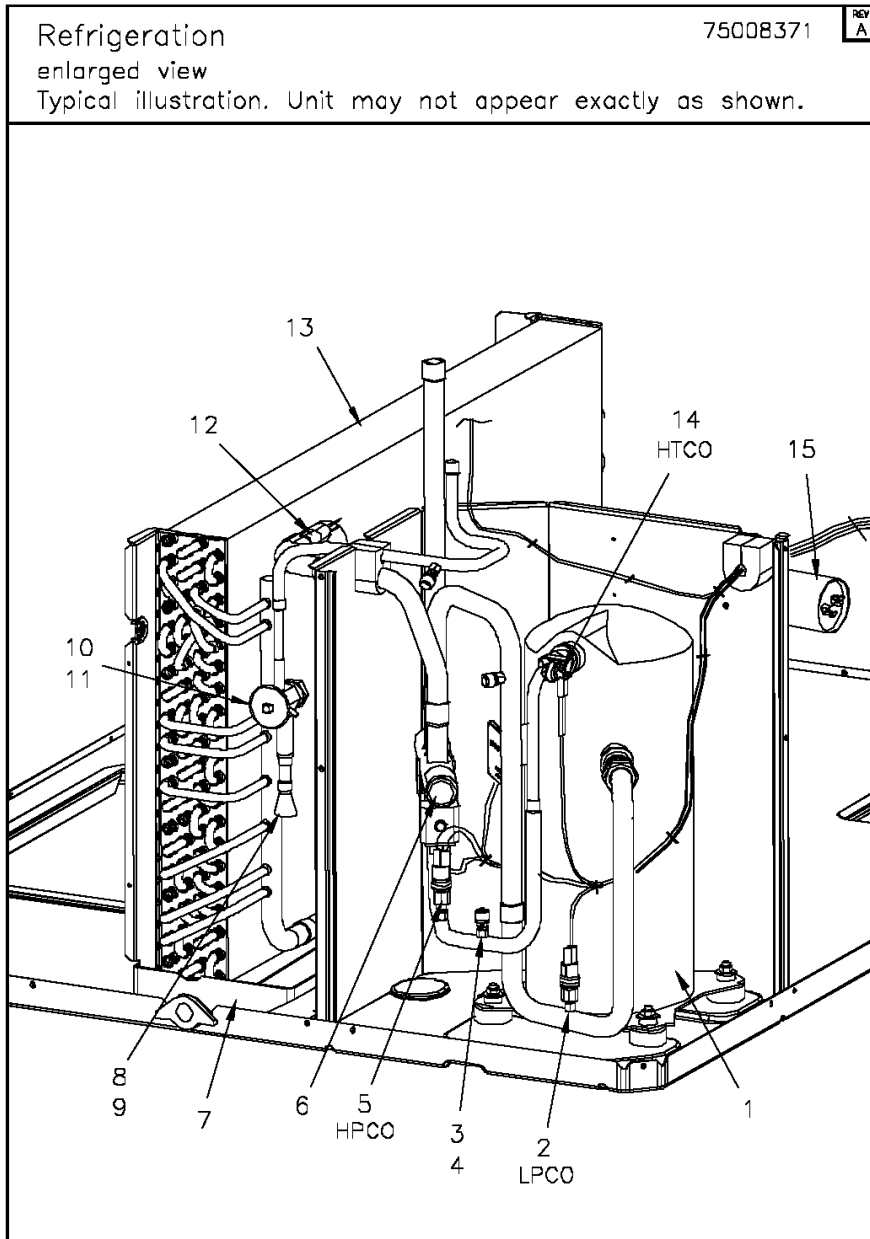
Part No.	Reference No.	Quantity	Description
CLP00181	*	1	CLIP; BULB
COL14684	1	1	COIL; OUTDOOR, SPINE FIN
SPC00391	2	8	SPACER; OUTDOOR COIL, 2.50 X 1.31. INCLUDES GASKET.
DHY01272	3	1	DRIER; BI FLOW, 3/8 ODF, 2-2 1/2 TON
SEN01370	4	1	SENSOR; ASSEMBLY, 9.75 K RESISTANCE OHMS AT 75 DEG F, YELLOW WIRES, 73 IN AND 75 IN
TUB12048	5	1	TUBE; ASSEMBLY, OUTDOOR FLOW CONTROL, R410A
VAL08703	6	1	VALVE; EXPANSION, 4 TON, 3/8" INLET X 1/2" OUTLET, 94/90 PSIG, R410A
TUB11762	7	1	TUBE; ASSEMBLY, OUTDOOR DISTRIBUTOR
DST00899	8	1	DISTRIBUTOR; 9 OUTLETS, 19 ODS, .50 ODM INLET, BRASS



Parts List Number :75008360#4WCZ6UP2

Model Number :4WCZ6060A4000BA

Part No.	Reference No.	Quantity	Description
75008371_4WCZ6UP2_278596-P	*		ENLARGED VIEW PARTS LIST



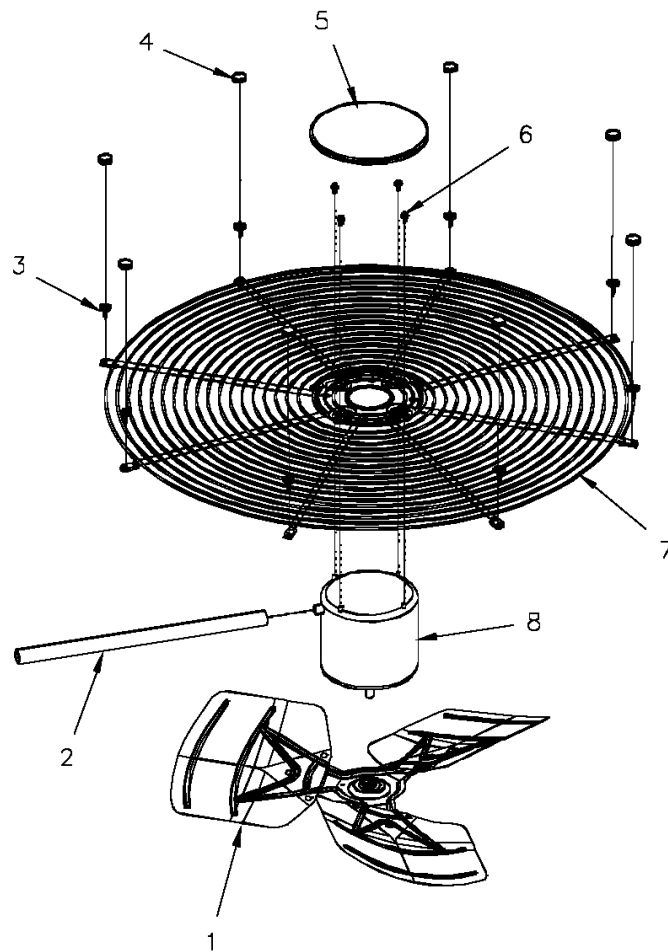
Part No.	Reference No.	Quantity	Description
BLT00809	*	4	BOLT; CARRIAGE, 5/16-18 X 1-3/4
BOD00114	*	3	BODY; VALVE, BRASS, 7/16 HEX, 7/16 -20 UNF-2A
FTG00066	*	2	FITTING;
GKT01820	*	4	GASKET; 3/4 OD X 7/16 ID X .06 THK
ISR00007	*	4	ISOLATOR; VIBRATION
NUT00355	*	4	NUT; HEX, LOCK, 5/16IN.-18
NUT00890	*	4	NUT; PALLET, 5/16-18 UNC 2B THD.
NUT00999	*	1	NUT; 1.25-12 UNF-2B THREAD SIZE (FOR 3/4" OR 5/8" TUBE SIZE)
NUT01000	*	1	NUT; 1.00-14 UNS-2B THREAD SIZE (FOR 1/2" TUBE SIZE)
SLV00060	*	1	SLEEVE; FITTING, .75 TUBE DIA
SLV00061	*	1	SLEEVE; PLATED, 1/2IN.
WAS00638	*	4	WASHER; FLAT, 5/16 INCH
WIR04496	*	1	WIRE; PLUG, SCROLL COMPRESSOR
COM08982	1	1	COMPRESSOR; TPA049A4RPZ, 4.1 TON, 460/60/3, 2 STEP, R410A, ROTOLOCK FITTINGS
SWT03390	2	1	SWITCH; LOW PRESSURE, SPST, OPENS AT 35 DEGREES PSIG, CLOSES AT 55 DEGREES PSIG
COR00006	3	3	CORE; VALVE PORT, .79 LENGTH, .206-36 UNS 2A THD
CAP00455	4	3	CAP; HUB, 7/16-20 STRAIGHT
SWT03388	5	1	SWITCH; HIGH PRESSURE, SPST, OPENS AT 650 PSIG, CLOSES AT 500 PSIG
VAL08884	6	1	VALVE; SWITCHOVER, 6 TON, 5/8 IN ODF X 7/8 IDF CONNECTION (INCLUDES SOLENOID COIL)
PAN02889	7	1	PAN; DRAIN, BLACK PVC, 35.70 X 7.75
TUB11686	8	1	TUBE; ASSEMBLY, INDOOR DISTRIBUTOR
DST00898	9	1	DISTRIBUTOR; 8 OUTLETS, 19 ODS, .50 ODM INLET, BRASS
TUB11668	10	1	TUBE; ASSEMBLY, FLOW CONTROL, R410A
VAL08704	11	1	VALVE; EXPANSION, 6 TON, 3/8" INLET X 1/2" OUTLET, 92/88 PSIG, R410A
CLP00181	12	1	CLIP; BULB
COL13520	13	1	COIL; INDOOR, FLAT FIN
THT02852	14	1	THERMOSTAT; TERMINATOR, 240V, SPST, OPEN AT 240 DEG F, CLOSE AT 200 DEG F
CPT00266	15	1	CAPACITOR; RUN, 5 MFD, 370V, OVAL, W/O RESISTOR

Fan

75008352

REV
A

Typical illustration. Unit may not appear exactly as shown.



Parts List Number :75008360#4WCZ6UP2

Model Number :4WCZ6060A4000BA

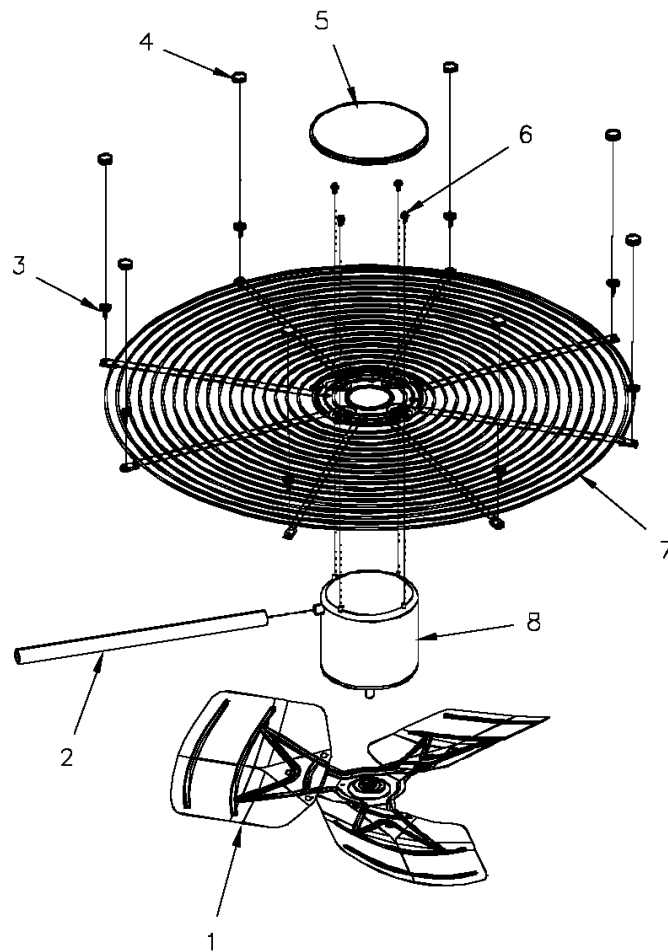
Part No.	Reference No.	Quantity	Description
75008352_4WCZ6UP2_278594-P	*		FAN PARTS LIST

Fan

75008352

REV
A

Typical illustration. Unit may not appear exactly as shown.



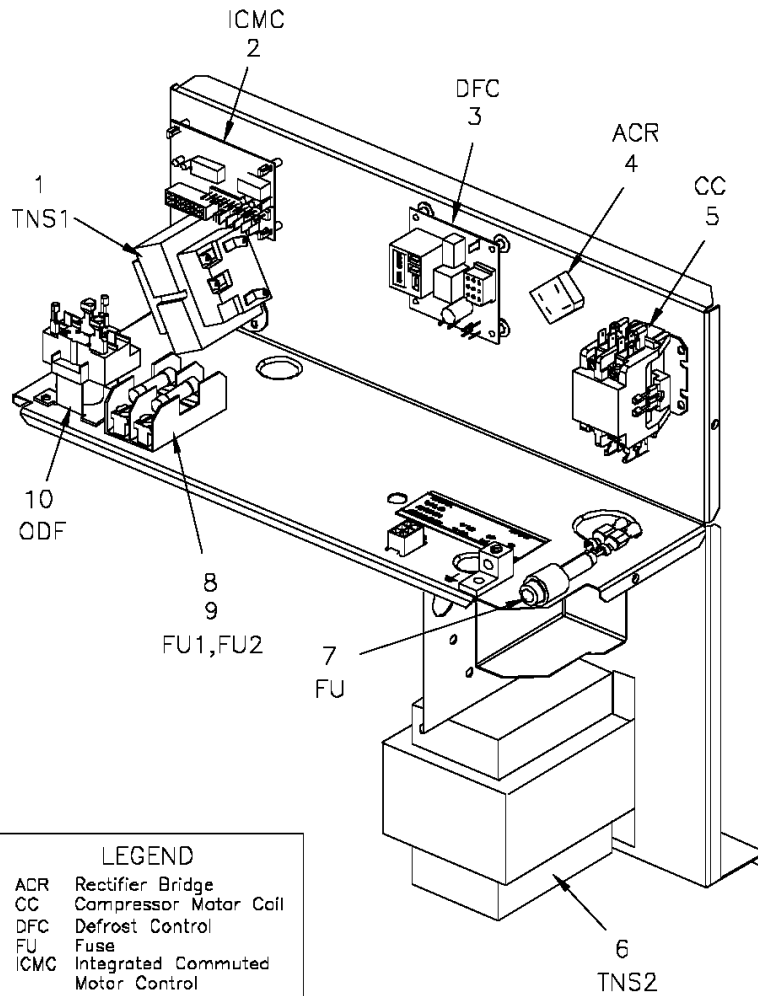
Part No.	Reference No.	Quantity	Description
FAN03849	1	1	FAN; SWEPT BLADE, 2 BLADE, ALUMINUM, 28 IN DIA, 30 DEG PITCH, .50 IN BORE, CCW, 1 SET SCREW-STEEL, FINISH/PAINT
GRD01440	2	1	GUARD; TROUGH-LEAD
COV03250	5	1	COVER; MOTOR, 6.86 DIA
SCR02086	6	4	SCREW; 10-32 TR-3 HXW 3/8 S
GRL01530	7	1	GRILL; OUTDOOR FAN, 30.64 IN MOUNTING DIA
MOT13830	8	1	MOTOR; OUTDOOR, 1/4 HP, 460/60/1, 830 RPM, TYPE PSC, CCW, SLEEVE BEARINGS, 5 MFD CPT AT 370V

Controls

75008951

REV
A

Typical illustration. Unit may not appear exactly as shown.



LEGEND

ACR	Rectifier Bridge
CC	Compressor Motor Coil
DFC	Defrost Control
FU	Fuse
ICMC	Integrated Commuted Motor Control
ODF	Outdoor Fan Relay
TNS	Transformer

CONTROLS

Parts List Number :75008360#4WCZ6UP2

Model Number :4WCZ6060A4000BA

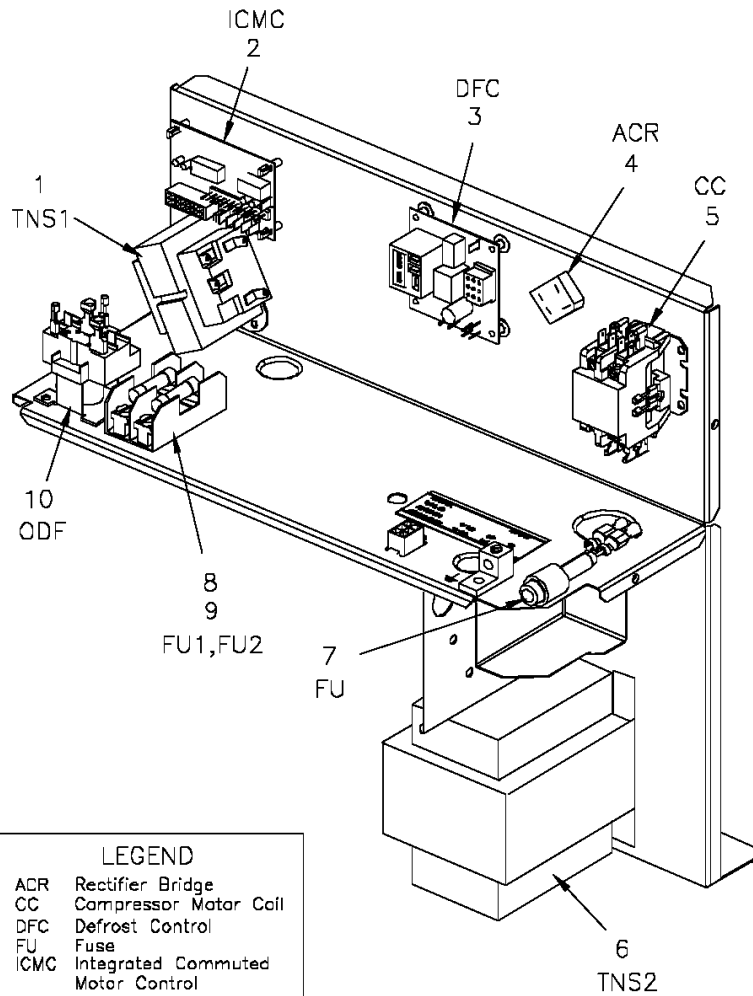
Part No.	Reference No.	Quantity	Description
75008951_4WCZ6UP2_278598-P	*		CONTROLS PARTS LIST

Controls

75008951

REV
A

Typical illustration. Unit may not appear exactly as shown.



LEGEND	
ACR	Rectifier Bridge
CC	Compressor Motor Coil
DFC	Defrost Control
FU	Fuse
ICMC	Integrated Commuted Motor Control
ODF	Outdoor Fan Relay
TNS	Transformer

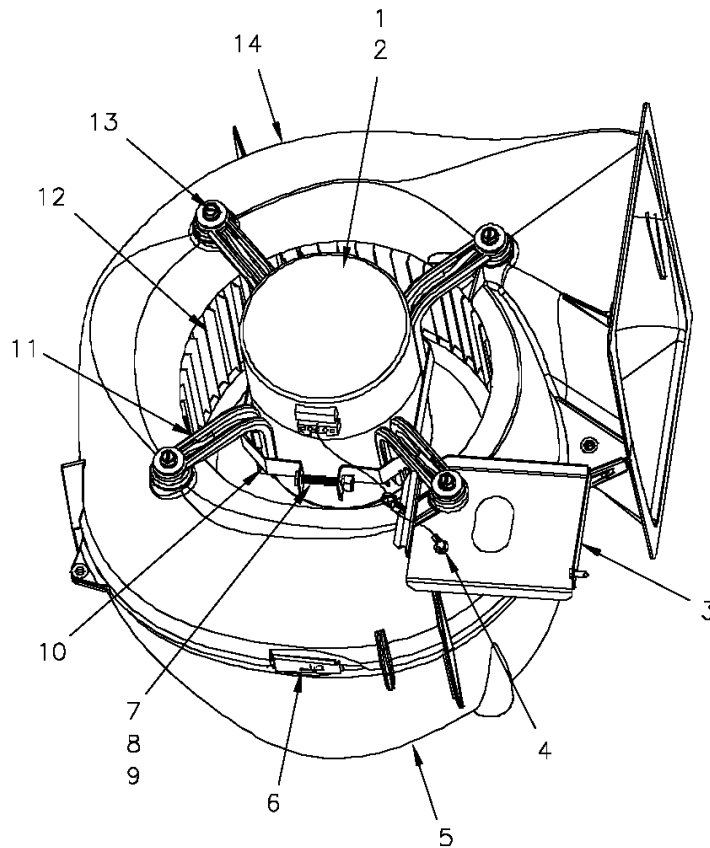
Part No.	Reference No.	Quantity	Description
LUG00014	*	1	LUG, GROUND
SEN01369	*	1	SENSOR; ASSEMBLY, 9.75 K RESISTANCE OHMS AT 75 DEG F, BLACK WIRES, 79 IN AND 81 IN
WIR05391	*	1	WIRE; HARNESS, CONTROLS. INCLUDES HIGH AND LOW VOLTAGE HARNESSES
TRR01582	1	1	TRANSFORMER; 75VA, 480V PRI, 24V SEC, 60HZ
CNT03600	2	1	CONTROL; ICM FAN, PWB, 16 PIN
CNT04364	3	1	CONTROL; DEFROST (USE ON PACKAGED HEAT PUMPS ONLY: 2WC*, 4WC*, 4DC*)
RTF00058	4	1	RECTIFIER; BRIDGE
CTR01333	5	1	CONTACTOR; 2 POLE, NO, 40 FLA AT 240V, 50/60 HZ, 50 RES AMPS, 24V COIL, 40 FLA AT 277/480/600V
TRR02086	6	1	TRANSFORMER; AUTO, 1500VA, 460V INPUT, 230V OUTPUT
FUS01776	7	1	FUSE; 3.2 AMP, WITH HOLDER AND QUICK CONNECTS
FUS00920	8	2	FUSE; TIME DELAY, DUAL ELEMENT, 500 VAC, FNQ-6
BLK00546	9	1	BLOCK; FUSE, 600V, 30 AMP, 2 POLE
RLY01384	10	1	RELAY; 240/480V, 24V COIL

Blower

75008694

REV
A

Typical illustration. Unit may not appear exactly as shown.



Parts List Number :75008360#4WCZ6UP2

Model Number :4WCZ6060A4000BA

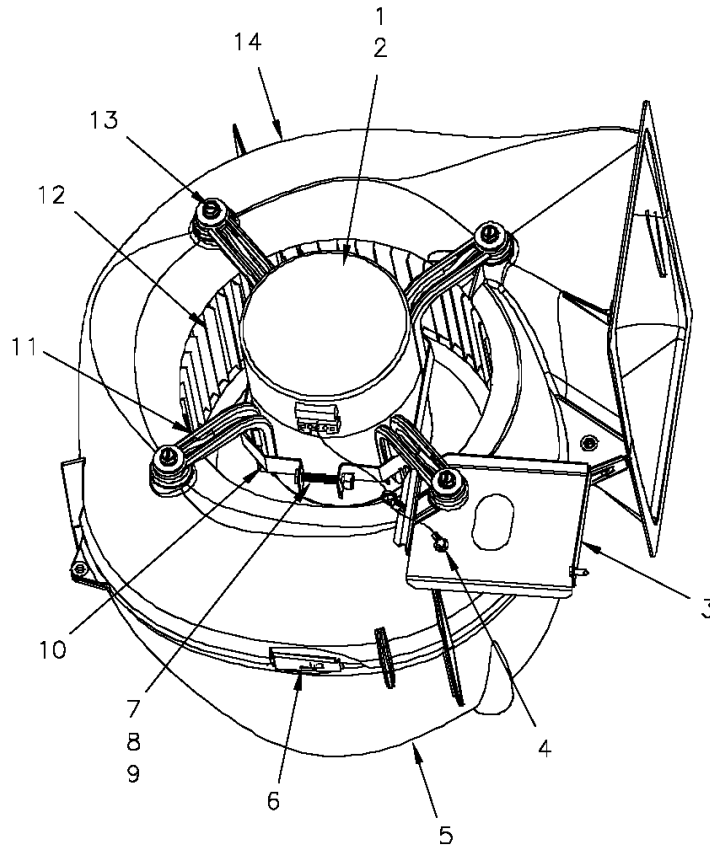
Part No.	Reference No.	Quantity	Description
75008694_4WCZ6UP2_278597-P	*		BLOWER PARTS LIST

Blower

75008694

REV
A

Typical illustration. Unit may not appear exactly as shown.



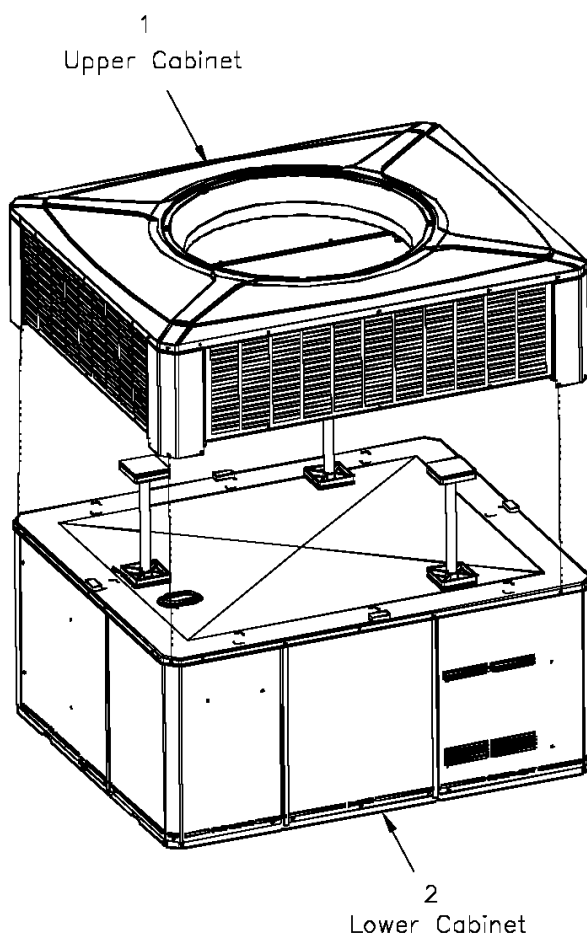
Part No.	Reference No.	Quantity	Description
BLW01047	*	1	BLOWER; ASSEMBLY COMPLETE
MOT12859	1	1	MOTOR; PROGRAMMED 1.0 HP, 208-230/60/1, CW, 6.9 AMPS (PROGRAMMED MOTOR/MODULE COMBINATION). FOR ELECTRONIC MODULE ONLY USE MOD01618.
MOD01618	2	1	MODULE; ELECTRONIC MOTOR CONTROL, VARIABLE SPEED PROGRAMMED
BRK03543	3	1	BRACKET; BLOWER RETAINER, 4.32 X 5.64
SCR00968	4	1	SCREW; 10-16 HEX WASHER, TYPE B, THREAD FORMING SCREW, 0.31 THREAD LENGTH, STEEL W/ZINC FINISH
HUS03825	5	1	HOUSING; BLOWER RIGHT SIDE WITHOUT MOUNTING HOLES, MOLDED GLASS FIBER POLYESTER, COLOR: NATURAL
CLP01088	6	4	CLIP; CLEAT-BLOWER
SCR01584	7	1	BOLT; 1/4-20 MA HX 1.5 S
NUT00487	8	1	NUT; STEEL HEX, 1/4-20
WAS00646	9	1	WASHER; STEEL SPRING LOCK, 1/4 INCH
BND00026	10	1	BAND; MOTOR MOUNT
BRK03396	11	4	BRACKET; ARM-MOTOR
WHL02557	12	1	WHEEL; BLOWER, 53 BLADES, CCW, CONCAVE DISC, 11.75 X 10.62
SCR02112	13	4	SCREW; ASSEMBLY-MOTOR MOUNT
HUS03824	14	1	HOUSING; BLOWER LEFT SIDE WITH 4 MOUNTING HOLES, MOLDED GLASS FIBER POLYESTER, COLOR: NATURAL

Cabinet

75008359

REV
A

Typical illustration. Unit may not appear exactly as shown.



View is determined by facing Appearance Nameplate

Parts List Number :75008360#4WCZ6UP2

Model Number :4WCZ6060A4000BA

Part No.	Reference No.	Quantity	Description
75008359_4WCZ6UP2_200523~P	*		CABINET PARTS LIST
75008382#4WCZ6UP2~S	*		LOWER CABINET
75008693#4WCZ6UP2~S	*		UPPER CABINET

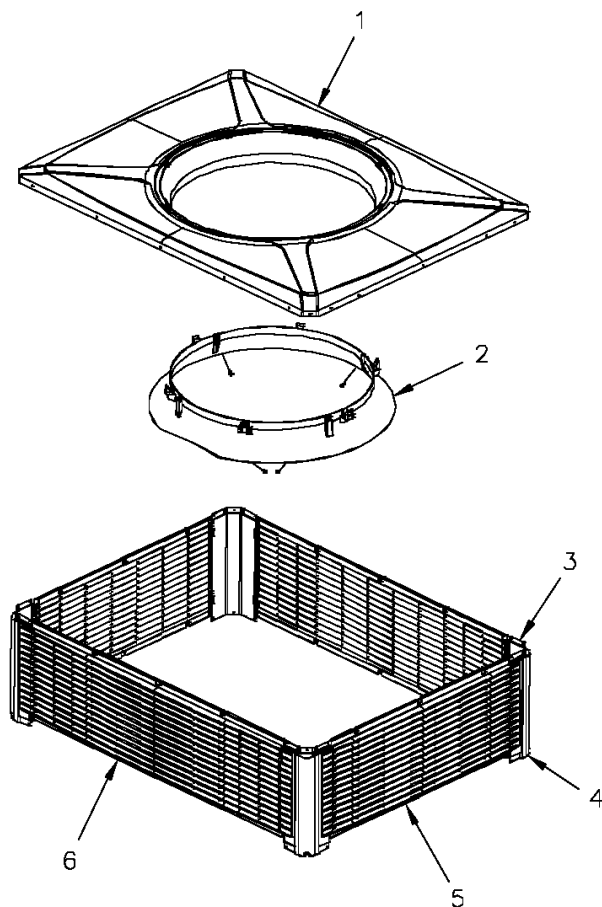
Cabinet

75008693

REV
A

upper

Typical illustration. Unit may not appear exactly as shown.



Parts List Number :75008360#4WCZ6UP2

Model Number :4WCZ6060A4000BA

Part No.	Reference No.	Quantity	Description
75008693_4WCZ6UP2_253610-P	*		UPPER CABINET PARTS LIST

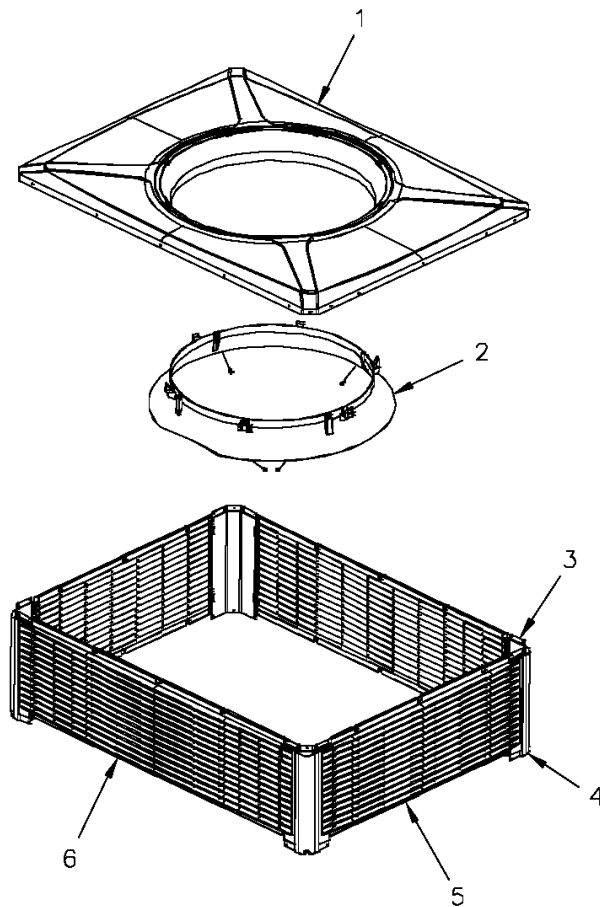
Cabinet

75008693

REV
A

upper

Typical illustration. Unit may not appear exactly as shown.



Part No.	Reference No.	Quantity	Description
BRK03610	*	16	BRACKET; PLASTIC LOUVER, 2.0 X .63 X .53
NUT00640	*	12	NUT, SPEED
RIV00096	*	4	RIVET; BLIND, STAINLESS STEEL
SCR01510	*	24	SCREW; 10-16 AB HXW 1/2 SN
SUP05014	*	3	SUPPORT; OD COIL, BOTTOM, 4X4, INCLUDES GASKET
SUP05015	*	3	SUPPORT; OD COIL, TOP, 4X4, INCLUDES GASKET
TUB12257	*	3	TUBE; SUPPORT, TOP PIPE, .75 DIA, SCHEDULE 40 GREY PVC, 18.46 INCHES
COV03695	1	1	COVER; OUTDOOR, TOP, 58.33 X 44.08
ORF01443	2	1	ORIFICE; INLET, 34.12 OUTSIDE DIA, 28.28 INSIDE DIA
PNL22004	3	4	PANEL; CORNER POST, 17.84 H
GRD01621	4	4	GUARD; BUMPER, UPPER CORNER, 17.81 X 6.83
PNL22188	5	2	PANEL; PLASTIC LOUVER, 38.86 X 17.40 - INCLUDES SPEED NUTS AND MOUNTING BRACKETS.
PNL22192	6	2	PANEL; PLASTIC LOUVER, 53.12 X 17.40 - INCLUDES SPEED NUTS AND MOUNTING BRACKETS.

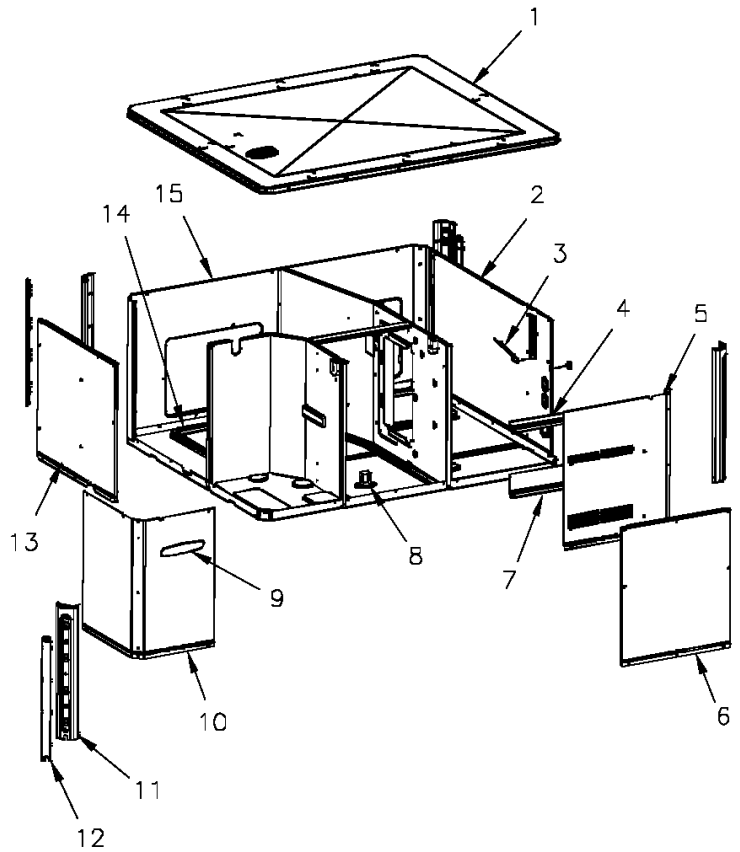
Cabinet

75008382

REV
A

lower

Typical illustration. Unit may not appear exactly as shown.



View is determined by facing Appearance Nameplate

Parts List Number :75008360#4WCZ6UP2

Model Number :4WCZ6060A4000BA

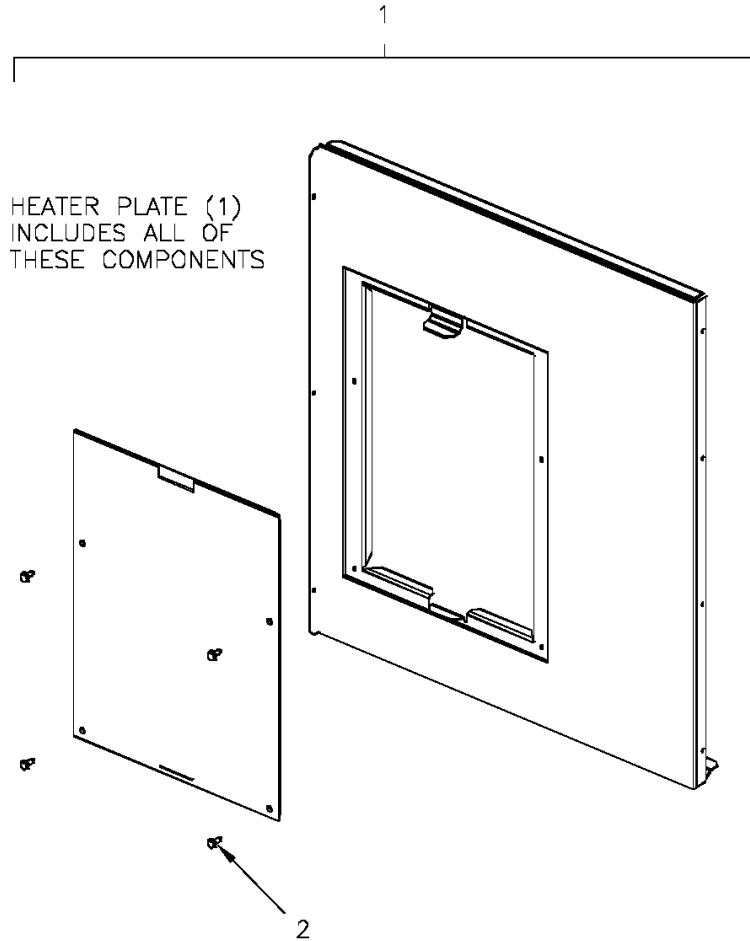
Part No.	Reference No.	Quantity	Description
75008355#4WCZ6UP2~S	*		ELECTRIC HEATER PLATE
75008382_4WCZ6UP2_200524~P	*		LOWER CABINET PARTS LIST

Electric Heater Plate

75008355

REV
A

Typical illustration. Unit may not appear exactly as shown.



ELECTRIC HEATER PLATE

Parts List Number :75008360#4WCZ6UP2

Model Number :4WCZ6060A4000BA

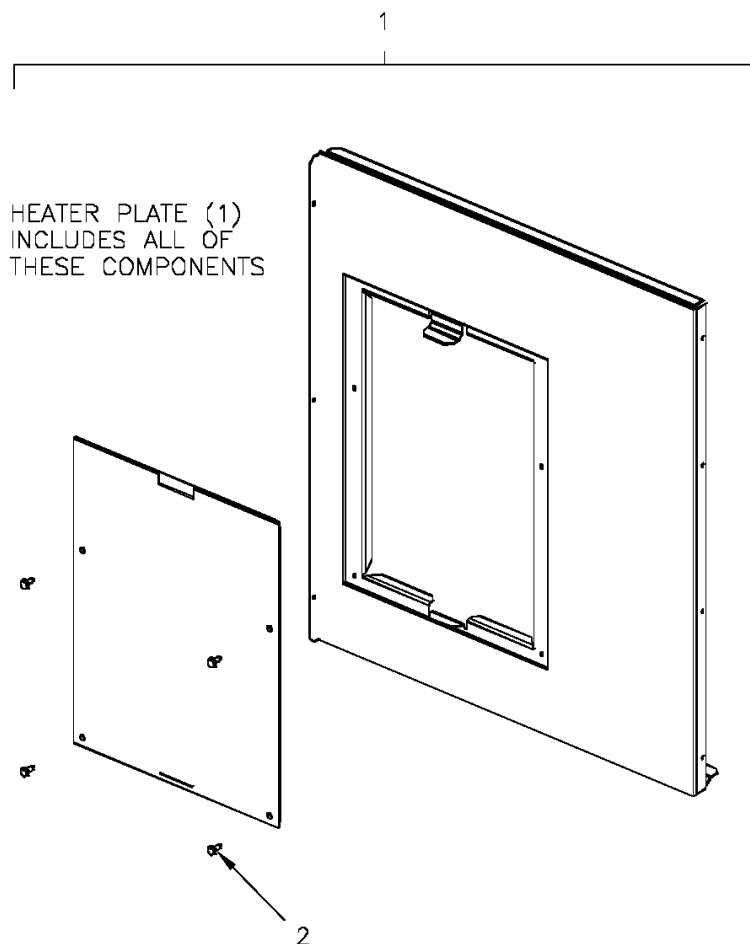
Part No.	Reference No.	Quantity	Description
75008355_4WCZ6UP2_200525-P	*		ELECTRIC HEATER PLATE PARTS LIST

Electric Heater Plate

75008355

REV
A

Typical illustration. Unit may not appear exactly as shown.



Part No.	Reference No.	Quantity	Description
PLT04182	1	1	PLATE; ELECTRIC HEATER, 21.15 x 18.30. INCLUDES BARRIER AND PLATE
SCR01510	2	12	SCREW; 10-16 AB HXW 1/2 SN

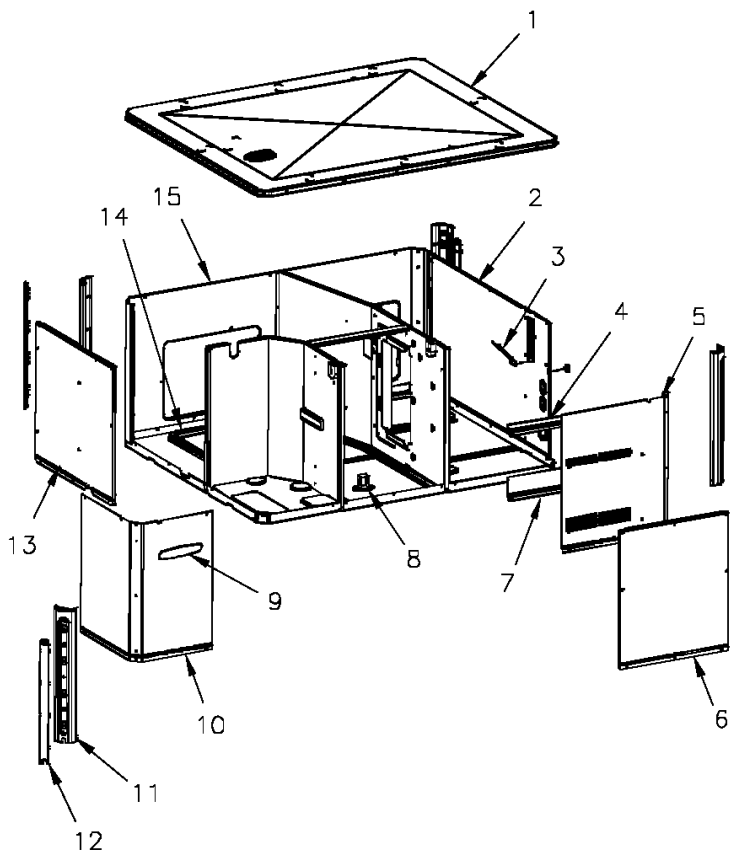
Cabinet

75008382

REV
A

lower

Typical illustration. Unit may not appear exactly as shown.



View is determined by facing Appearance Nameplate

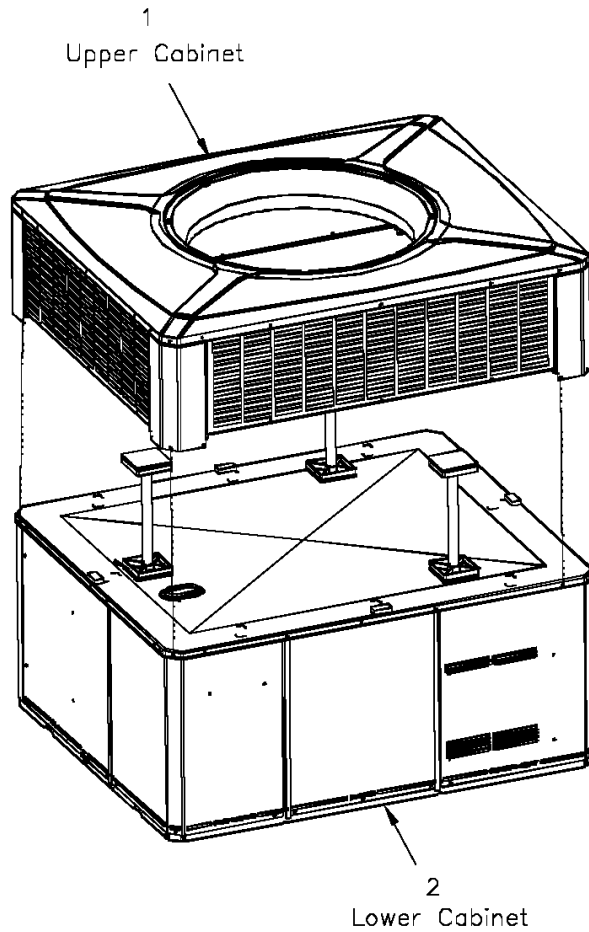
Part No.	Reference No.	Quantity	Description
GRM00118	*	1	GROMMET; 3/16 IN ID, NEOPRENE
COV03697	1	1	COVER; INDOOR, TOP, 58.33 X 44.08
PNL22037	2	1	PANEL; ELECTRIC HEAT ACCESS, 38.49 X 20.91
SHD00397	3	1	SHIELD; LOUVER, TOP, 5.0 X 1.9
SHD00396	4	1	SHIELD; LOUVER, CONTROL ACCESS PANEL, 12.95 X 1.50
PNL22196	5	1	PANEL; CONTROL/HEAT ACCESS, 17.93 X 20.70
PNL22014	6	1	PANEL; BLOWER ACCESS, 27.36 X 20.70
SHD00395	7	1	SHIELD; LOUVER, CONTROL ACCESS PANEL, 12.95 X 3.40
BRK03544	8	1	BRACKET; BLOWER SUPPORT, U-SHAPED, 3.00 X 2.00 X 2.83
PLT04416	9	1	PLATE; APPEARANCE NAMEPLATE, TRANE XL16C, 9.0 X 1.82
PNL21999	10	1	PANEL; COMPRESSOR ACCESS, 20.7 X 12.7 & 20.7 X 15.5
GRD01617	11	4	GUARD; BUMPER, LOWER CORNER, 20.04 X 3.33
CAP01010	12	4	CAP; LOWER CORNER BUMPER, 18.74 X 1.45
PNL22040	13	1	PANEL; INDOOR COIL ACCESS, 25.42 X 20.70
COV03699	14	2	COVER; SUPPLY AND RETURN, 17.88 X 14.88
PNL22193	15	1	PANEL; SUPPLY AND RETURN, 58.13 X 20.88

Cabinet

75008359

REV
A

Typical illustration. Unit may not appear exactly as shown.

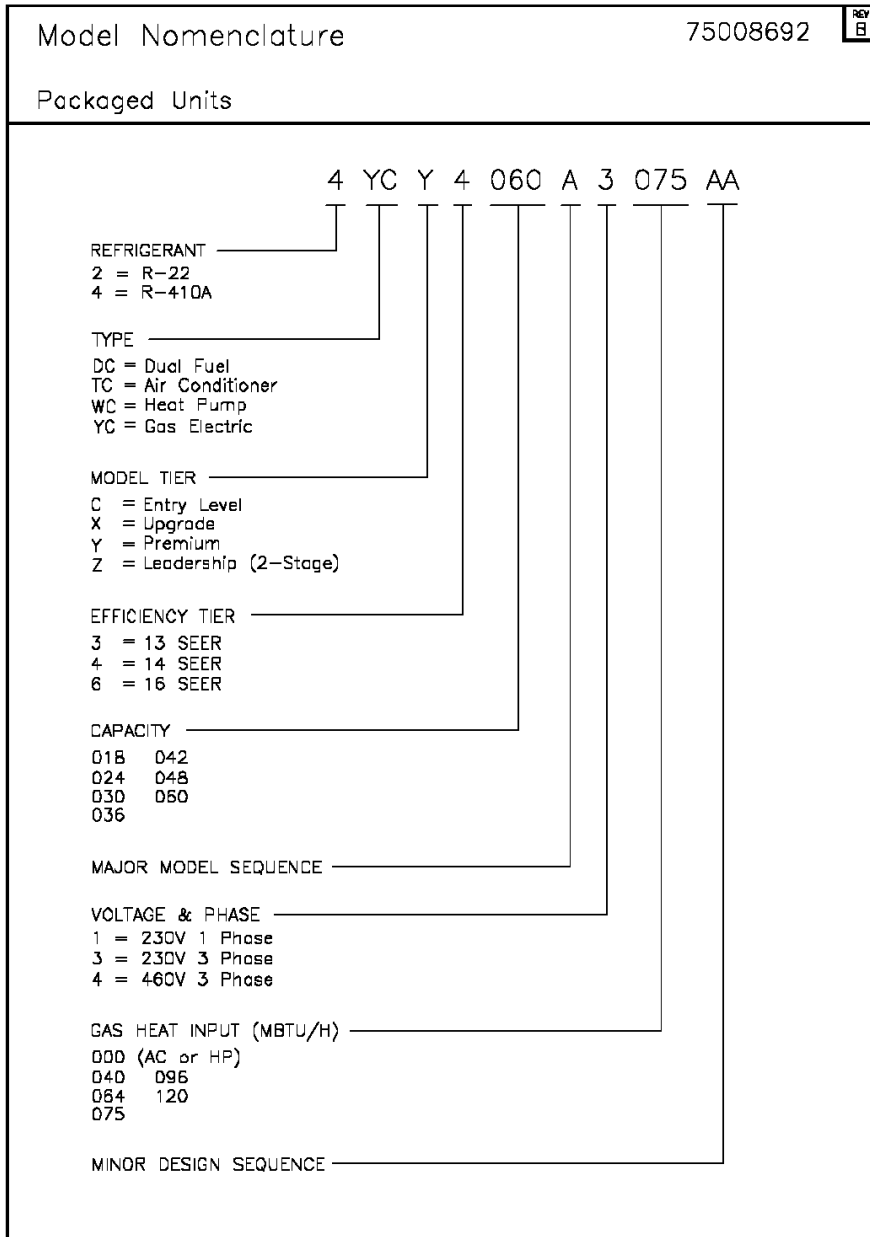


View is determined by facing Appearance Nameplate

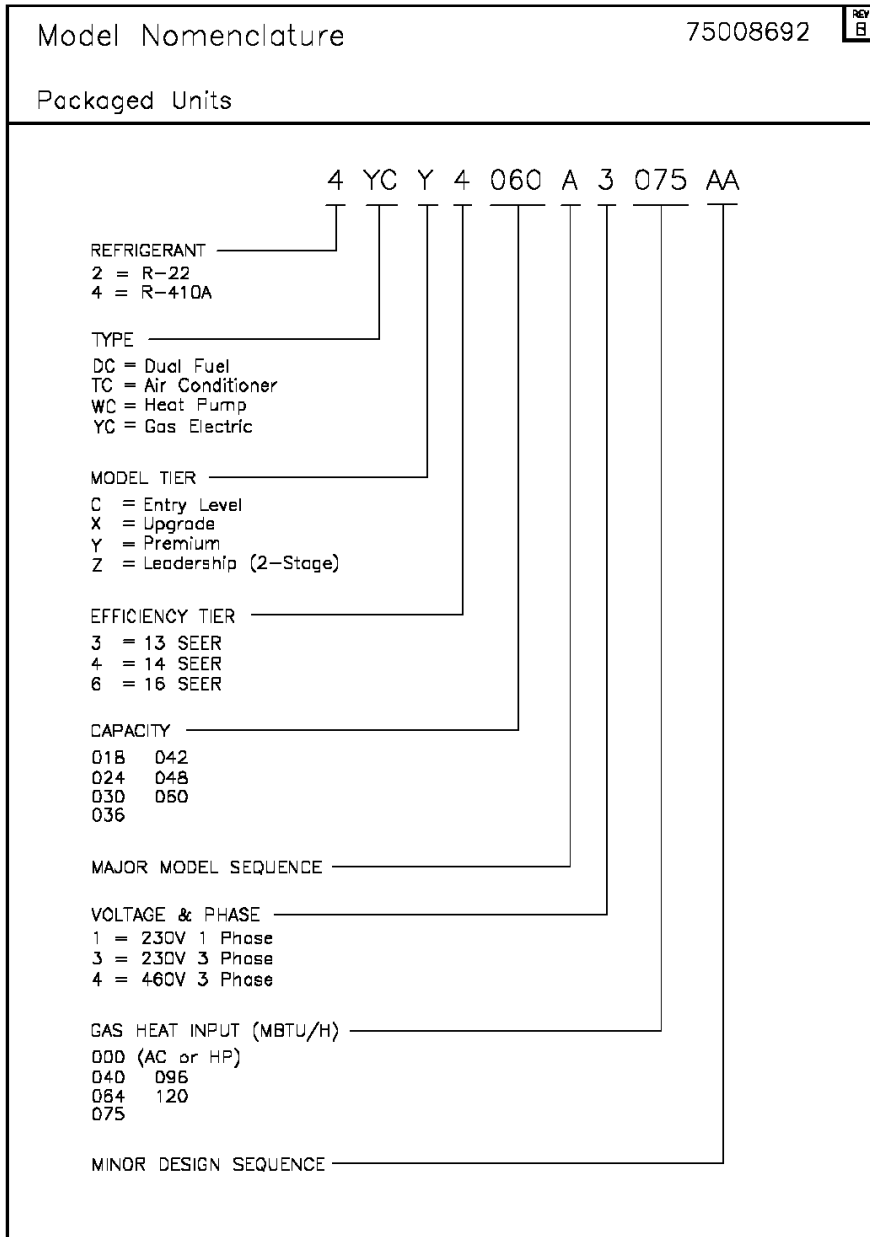
Parts List Number :75008360#4WCZ6UP2

Model Number :4WCZ6060A4000BA

Part No.	Reference No.	Quantity	Description
PAI00074	*	1	PAINT; SPRAY, SLATE GREY, FULL GLOSS(88) (SHIPPING UOM 12 OZ HAZ)



Part No.	Reference No.	Quantity	Description
75008692_4WCZ6UP2_200527-P	*		MODEL NOMENCLATURE PARTS LIST



Parts List Number :75008360#4WCZ6UP2

Model Number :4WCZ6060A4000BA

Part No.	Reference No.	Quantity	Description
NGRAPHIC_4WCZ6UP2_200530 ~P	*		OPTIONAL FIELD INSTALLED ACCESSORIES PARTS LIST

NO GRAPHIC AVAILABLE

75013702

REV
A

**NO
GRAPHIC
AVAILABLE**

Parts List Number :75008360#4WCZ6UP2

Model Number :4WCZ6060A4000BA

Part No.	Reference No.	Quantity	Description
ECN00125	*	1	ECONOMIZER; DOWN DISCHARGE, AND RAIN HOOD (BAYECON104AA)
ECN00127	*	1	ECONOMIZER; HORIZONTAL (BAYECON204AA)
HTR08663	*	1	HEATER; ELECTRIC, 5.0 KW, 480/3 (BAYHTRV405EA)
HTR08664	*	1	HEATER; ELECTRIC, 8.0 KW, 480/3 (BAYHTRV408EA)
HTR08665	*	1	HEATER; ELECTRIC, 10.0 KW, 480/3, (BAYHTRV410EA)
HTR08666	*	1	HEATER; ELECTRIC, 15.0 KW, 480/3 (BAYHTRV415EA)
HTR08667	*	1	HEATER; ELECTRIC, 20.0 KW, 480/3 (BAYHTRV420EA)
HTR08668	*	1	HEATER; ELECTRIC, 25.0 KW, 480/3 (BAYHTRV425EA)
KIT03361	*	1	KIT; LIFTING LUGS-BAYLIFT002B (CTN = 6 PIECES)
KIT06631	*	1	KIT; OUTSIDE AIR CONTROL (BAYOSAC001AA)
KIT06658	*	1	KIT; ENTHALPY CONTROL (BAYENTH001AB)
KIT13553	*	1	KIT; CURB ADAPTER (BAYADAP052AA)
KIT13554	*	1	KIT; CURB ADAPTER (BAYADAP053AA)
KIT13555	*	1	KIT; CURB ADAPTER (BAYADAP054AA)
KIT13559	*	1	KIT; 12 INCH DUCT SHROUD COVERS HORIZONTAL (BAYCOVR112AA)
KIT13560	*	1	KIT; 18 INCH DUCT SHROUD COVERS HORIZONTAL (BAYCOVR118AA)
KIT13562	*	1	KIT; FULL PERIMETER ROOF MOUNTING CURB (BAYCURB051AA)
KIT13564	*	1	KIT; OUTSIDE AIR, 2 POS DAMPER (BAYDMPR102AA)
KIT13565	*	1	KIT; EXTREME CURB MOUNTING (BAYEXMK001AA)
KIT13567	*	1	KIT; EXTREME CURB MOUNTING (BAYEXMK003AA)
KIT13572	*	1	KIT; OUTSIDE AIR, MANUAL DAMPER (BAYOSAH002AA)
KIT13576	*	1	KIT; SQUARE/ROUND DUCT ADAPTER (BAYSQRD002AA)
KIT13640	*	1	KIT; LOW AMBIENT COOLING, HEAD PRESSURE CONTROL (BAYLOAM105AA)
KIT15004	*	1	KIT; CRANKCASE HEATER, 460V SCROLL COMPRESSORS (BAYCCHT404BA) 6.5-7.5 DIA, 60W, 110L
KIT15097	*	1	KIT; FILTER FRAME (BAYFLTR201BA). USE (1) 20 X 20, PLUS (1) 20 X 18 FILTER - NOT INCLUDED.
KIT15142	*	1	KIT; ACCESS DOOR, 3-1/2 TO 5 TON MODELS (BAYACCDOR2AA)
KIT15258	*	1	KIT; ECONOMIZER RELAY (BAYRLAY006AA)
KIT15306	*	1	KIT; SINGLE POWER ENTRY (BAYSPEK061EA)
KIT15323	*	1	KIT; EXTREME CURB MOUNTING (BAYEXMK002BA)
KIT15324	*	1	KIT; OUTSIDE AIR CONTROL (BAYOSAC001BA)
KIT15326	*	1	KIT; ROOF CURB UTILITY EXTENSION KIT (BAYUTIL102BA)
KIT15406	*	1	KIT; ECONOMIZER, HINGED FILTER ACCESS DOOR AND FILTER FRAME (BAYECONCOMB104A)
TMR00140	*	1	TIMER; ANTISHORT CYCLE (BAYASCT001)