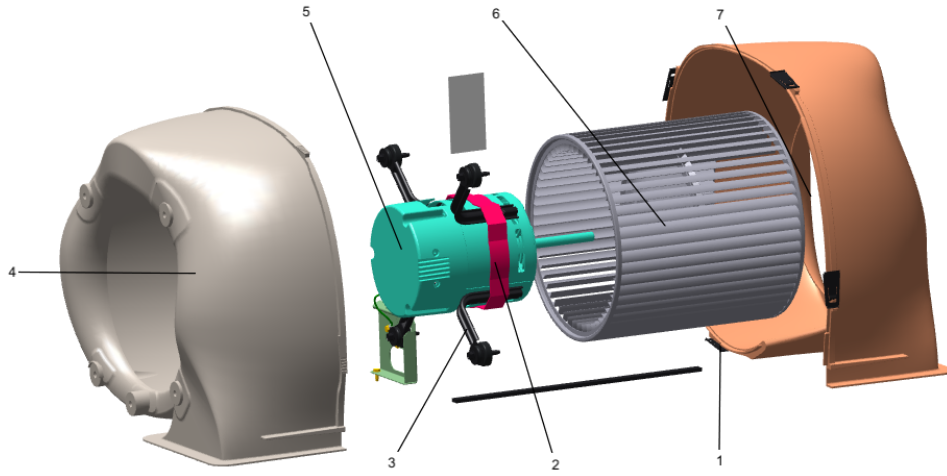


Part No.	Reference No.	Quantity	Description
0000172486~S	*		BLOWER
0000172485~S	*		CABINET
0000209687~S	*		COIL
0000172488~S	*		CONTROL
0000172487~S	*		FAN
0000172493~S	*		GENERAL ASSEMBLY
0000172490~S	*		HEAT EXCHANGER
0000172492~S	*		MODEL NUMBER DESCRIPTION

Part No.	Reference No.	Quantity	Description
0000037927~P	*		BLOWER PARTS LIST



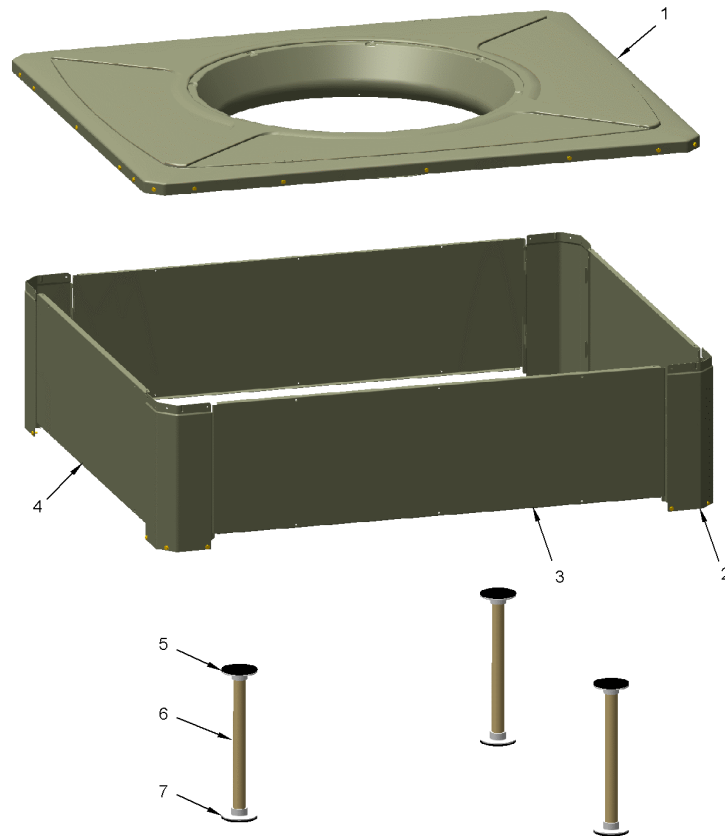
Part No.	Reference No.	Quantity	Description
BLW01046	*	1	BLOWER; ASSEMBLY COMPLETE
BRK03543	*	1	BRACKET; BLOWER RETAINER, 4.32 X 5.64
NUT01063	*	1	NUT; LOCKING NYLON
SCR00968	*	1	SCREW; 10-16 HEX WASHER, TYPE B, THREAD FORMING SCREW, 0.31 THREAD LENGTH, STEEL W/ZINC FINISH
SCR00998	*	1	SCREW; 10-16 B HXW 1/2 S
SCR01584	*	1	BOLT; 1/4-20 MA HX 1.5 S
SCR02112	*	4	SCREW; ASSEMBLY-MOTOR MOUNT
TIE00004	*	1	TIE; WIRE
CLP01123	1	4	CLIP; CLEAT-BLOWER
BND00026	2	1	BAND; MOTOR MOUNT
BRK03396	3	4	BRACKET; ARM-MOTOR
HUS03824	4	1	HOUSING; BLOWER LEFT SIDE WITH 4 MOUNTING HOLES, MOLDED GLASS FIBER POLYESTER, COLOR: NATURAL
MOT15145	5	1	MOTOR; ECM VS MOTOR MODULE SET; 3/4 HP; 115/230 VOLTAGE; PROGRAMMED
WHL02558	6	1	WHEEL; BLOWER, 48 BLADES, CCW, CONCAVE DISC, 10.62 X 10.68
HUS03825	7	1	HOUSING; BLOWER RIGHT SIDE WITHOUT MOUNTING HOLES, MOLDED GLASS FIBER POLYESTER, COLOR: NATURAL

Part No.	Reference No.	Quantity	Description
0000026413~P	*		CABINET PARTS LIST UPPER

CABINET
UPPER - OUTDOOR
TYPICAL ILLUSTRATION

75010703

REV.
A



Part No.	Reference No.	Quantity	Description
BAF01378	*	1	BAFFLE; AIR, 16.00 X 8.50
BRK03544	*	1	BRACKET; BLOWER SUPPORT, U-SHAPED, 3.00 X 2.00 X 2.83
BRK03610	*	16	BRACKET; PLASTIC LOUVER, 2.0 X .63 X .53
COV03697	*	1	COVER; INDOOR, TOP, 58.33 X 44.08
COV03699	*	2	COVER; SUPPLY AND RETURN, 17.88 X 14.88
GRM00118	*	1	GROMMET; 3/16 IN ID, NEOPRENE
INS02869	*	1	INSULATION; INDOOR TOP COVER, 17.5 X 7.4
ORF01443	*	1	ORIFICE; INLET, 34.12 OUTSIDE DIA, 28.28 INSIDE DIA
PAI00074	*	0	PAINT; SPRAY, SLATE GREY, FULL GLOSS(88) (SHIPPING UOM 12 OZ HAZ)
PNL21998	*	1	PANEL; COMPRESSOR ACCESS, 20.7 X 12.7 & 20.7 X 15.5
PNL22014	*	1	PANEL; BLOWER ACCESS, 27.36 X 20.70
PNL22037	*	1	PANEL; ELECTRIC HEAT ACCESS, 38.49 X 20.91
PNL22040	*	1	PANEL; INDOOR COIL ACCESS, 25.42 X 20.70
PNL22041	*	1	PANEL; CONTROL/HEAT ACCESS, 17.93 X 20.70
PNL22193	*	1	PANEL; SUPPLY AND RETURN, 58.13 X 20.88
PNL26625	*	1	PANEL; BLOWER BARRIER, 44.05 X 21.15
PNL28755	*	1	PANEL; COMPRESSOR BARRIER, 27.22 W X 21.15 H
RIV00096	*	4	RIVET; BLIND, STAINLESS STEEL
SCR00981	*	30	SCREW, 10-16 AB HXW 1/2 S
SCR01511	*	16	SCREW; 10-16 B HXW 1/2 S
SCR01623	*	94	SCREW; SHEET METAL, 10-16 UNC X 1/2, HIGH TORQUE, INDENT HEX-WASHER HEAD
SCR02328	*	94	(X25240209010) SCREW M4 X 0.7 X 10, PH
SHD00395	*	1	SHIELD; LOUVER, CONTROL ACCESS PANEL, 12.95 X 3.40
SHD00396	*	1	SHIELD; LOUVER, CONTROL ACCESS PANEL, 12.95 X 1.50
SHD00397	*	1	SHIELD; LOUVER, TOP, 5.0 X 1.9
COV03695	1	2	COVER; OUTDOOR, TOP, 58.33 X 44.08
PNL22004	2	4	PANEL; CORNER POST, 17.84 H
PNL22192	3	2	PANEL; PLASTIC LOUVER, 53.12 X 17.40 - INCLUDES SPEED NUTS AND MOUNTING BRACKETS.
PNL22188	4	2	PANEL; PLASTIC LOUVER, 38.86 X 17.40 - INCLUDES SPEED NUTS AND MOUNTING BRACKETS.
SUP05918	5	3	SUPPORT; OUTDOOR COIL, 3.0 DIA, WITH GASKET
TUB12257	6	3	TUBE; SUPPORT, TOP PIPE, .75 DIA, SCHEDULE 40 GREY PVC, 18.46 INCHES
SUP05919	7	3	SUPPORT; OUTDOOR COIL, 3.0 DIA, WITH GASKET

Part No.	Reference No.	Quantity	Description
0000055049~P	*		COIL ASSEMBLY OUTDOOR (HT PUMP) QW

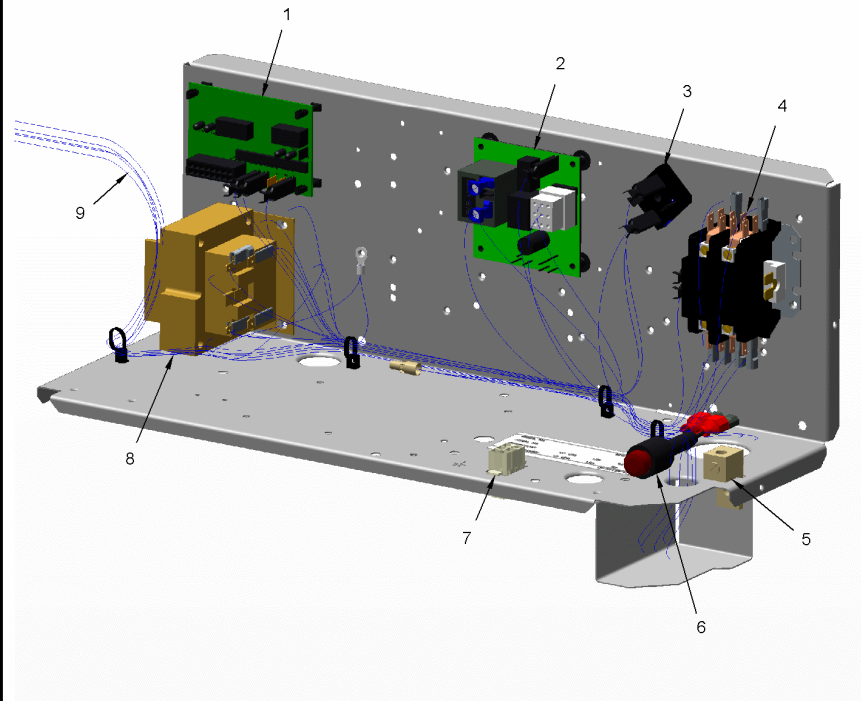
Part No.	Reference No.	Quantity	Description
CLP00296	1	1	CLIP; TXV BULB, 7/8 INCH
TIE00007	2	1	TIE;CABLE
TUB11547	3	12	TUBE; TRANSITION ASSEMBLY
TUB11538	4	1	TUBE; RUBBER-BULB-TUBING, 1.125 DIAMETER, 26.000 LENGTH
VAL08845	5	1	VALVE; EXPANSION, 2 TON, 3/8 INLET X 1/2 OUTLET, 93/89 PSIG, R410A
TUB02810	6	12	TUBE; TRANSITION
DHY01653	7	1	DRIER FILTER
TIE00029	8	7	TIE;CABLE
RES00843	9	1	RESISTOR; 9.750 K OHMS
TUB11542	10	1	TUBE; RUBBER-EQUAL-TUBING, .375 DIAMETER, 25.000 LENGTH
INS00306	11	1	INSULATION;
TER00312	12	7	TERMINAL; 8IN. TIE CABLE
TIE00015	13	4	TIE;
SEN01370	14	1	SENSOR; ASSEMBLY, 9.75 K RESISTANCE OHMS AT 75 DEG F, YELLOW WIRES, 73 IN AND 75 IN
DST00896	15	1	DISTRIBUTOR; 6 OUTLETS, 19 ODS, .50 ODM INLET, BRASS
WIR00767	16	2	WIRE; SPLICE
COL25315	17	1	COIL; OUTDOOR, SPINE FIN
RES00118	18	1	RESISTOR; THERMISTOR , 260 OHMS AT 75 DEGREE F

Part No.	Reference No.	Quantity	Description
0000043768~P	*		CONTROL BOX PARTS LIST

CONTROLS

75011581

REV.
A



This is a typical illustration. The unit in the field may not appear exactly as shown.

Part No.	Reference No.	Quantity	Description
BLK00546	*	1	BLOCK; FUSE, 600V, 30 AMP, 2 POLE
CON00211	*	1	CONNECTOR; POLARIZED, 9 PIN
CON00251	*	3	CONNECTOR; WIRE
CTR01333	*	1	CONTACTOR; 2 POLE, NO, 40 FLA AT 240V, 50/60 HZ, 50 RES AMPS, 24V COIL, 40 FLA AT 277/480/600V
FUS01776	*	1	FUSE; 3.2 AMP, WITH HOLDER AND QUICK CONNECTS
INS00306	*	1	INSULATION;
PIN00192	*	1	PIN; POLARIZING
PLU00538	*	2	PLUG; POLARIZED, 16 PIN
RCT00062	*	1	RECEPTACLE; CONNECTOR, 6 PIN, POLARIZED, MALE
RES00118	*	1	RESISTOR; THERMISTOR , 260 OHMS AT 75 DEGREE F
RES00843	*	1	RESISTOR; 9.750 K OHMS
RLY01384	*	1	RELAY; 240/480V, 24V COIL
SCR01000	*	1	SCREW; 6-20 B PH 1/2 S
SCR01080	*	1	SCREW; 10-16 B HXW 3/4 S N
SCR01207	*	2	SCREW; 8-18 A HXW 1/2 S
SCR01511	*	4	SCREW; 10-16 B HXW 1/2 S
SCR01924	*	3	SCREW; 6-32 X .75, THREAD ROLLING SCREWS-ZINC PLATED, HEX WASHER
SEN01510	*	1	SENSOR; ASSEMBLY-AMBIENT, 83/85 IN LENGTH WIRES
TER00312	*	4	TERMINAL; 8IN. TIE CABLE
TIE00005	*	5	TIE; WIRE, .06-1.75 DIA
TIE00007	*	4	TIE;CABLE
TIE00008	*	3	TIE;CABLE
TRR01582	*	1	TRANSFORMER; 75VA, 480V PRI, 24V SEC, 60HZ
WIR00767	*	2	WIRE; SPLICE
WIR04337	*	1	WIRE; HARNESS, ICM-LOW VOLTAGE. INCLUDES (2) PLU00538.
WIR07794C	*	5	(X19210028130) TIE; WIRE NYLON 7.78 INCH 50 LB. .184" W
CNT03600	1	1	CONTROL; ICM FAN, PWB, 16 PIN
CON00077	2a	1	CONNECTOR, ELECTRIC GROUND, 14-2 AWG SOLDERLESS
SCR00998	2b	15	SCREW; 10-16 B HXW 1/2 S
RTF00058	3a	1	RECTIFIER; BRIDGE
SCR00968	3b	3	SCREW; 10-16 HEX WASHER, TYPE B, THREAD FORMING SCREW, 0.31 THREAD LENGTH, STEEL W/ZINC FINISH
CON00371	4	1	CONNECTOR; 5 PIN MALE
FUS00263	6	2	FUSE; TIME DELAY, 600V, FLQ-6
TRR02086	8	1	TRANSFORMER; AUTO, 1500VA, 460V INPUT, 230V OUTPUT
WIR05391	9	1	WIRE; HARNESS, CONTROLS. INCLUDES HIGH AND LOW VOLTAGE HARNESSES

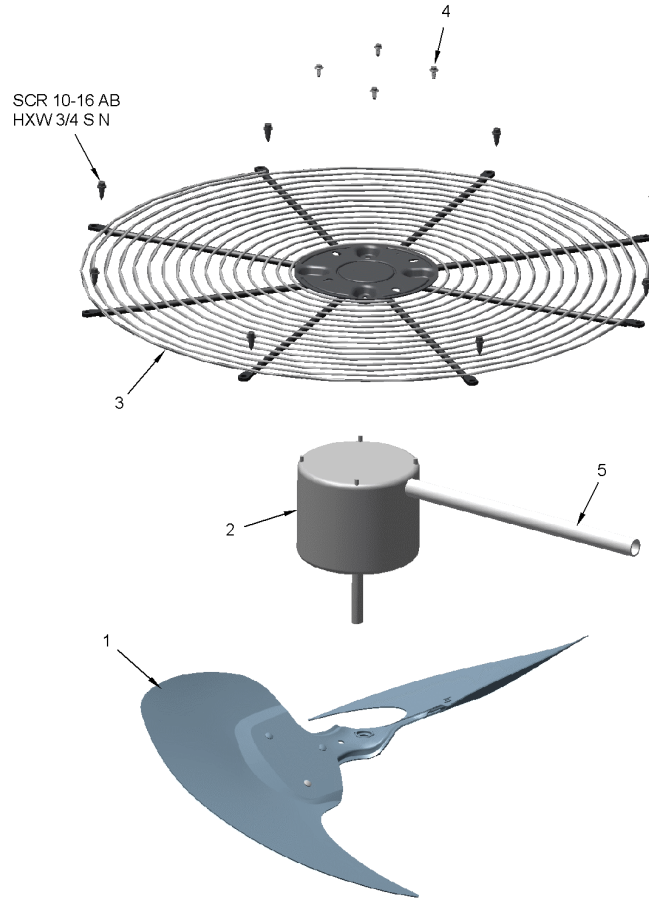
Part No.	Reference No.	Quantity	Description
0000043708~P	*		FAN PARTS LIST

FAN

75010673

REV
A

TYPICAL ILLUSTRATION



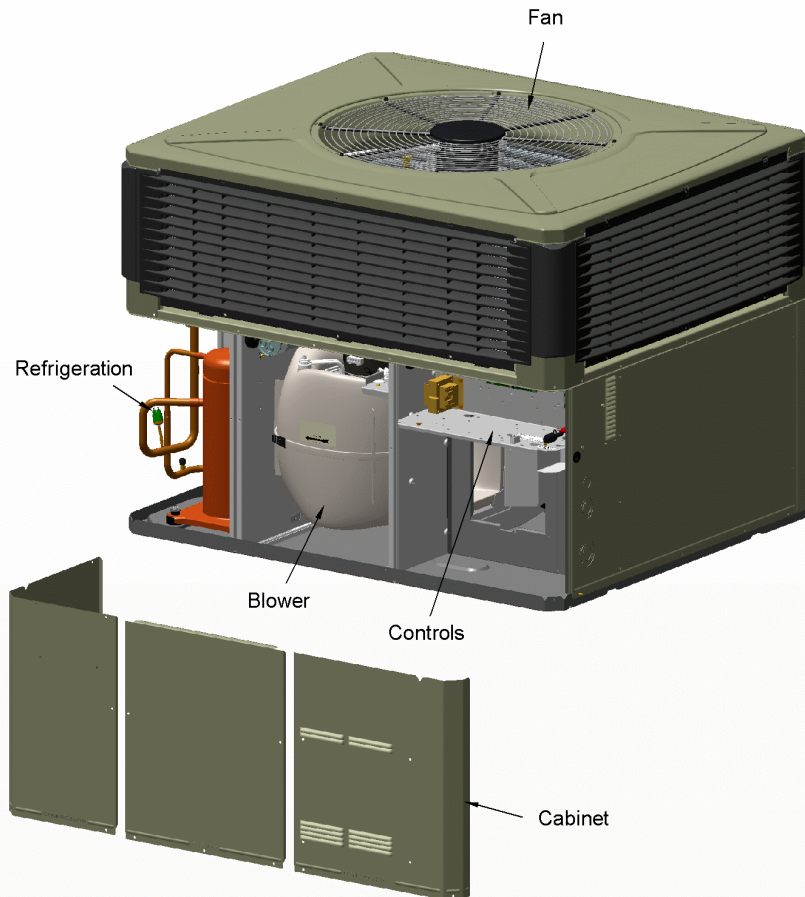
Part No.	Reference No.	Quantity	Description
CPT00266	*	1	CAPACITOR; RUN, 5 MFD, 370V, OVAL, W/O RESISTOR
SCR01511	*	2	SCREW; 10-16 B HXW 1/2 S
SRP00091	*	1	STRAP, CAPACITOR
FAN03984	1	1	FAN; SWEPT BLADE, 2 BLADE, ALUMINUM, 28.25 IN DIA, 24 DEG PITCH, .50 IN BORE, CCW, 1 SET SCREW-STEEL
MOT13828	2	1	MOTOR; OUTDOOR, 1/6 HP, 460/60/1, 830 RPM, TYPE PSC, CCW, SLEEVE BEARINGS, 5 MFD CPT AT 370V
GRL01530	3	1	GRILL; OUTDOOR FAN, 30.64 IN MOUNTING DIA
SCR02086	4	4	SCREW; 10-32 TR-3 HXW 3/8 S
GRD01440	5	1	GUARD; TROUGH-LEAD

Part No.	Reference No.	Quantity	Description
0000026527~P	*		GENERAL ASSEMBLY GRAPHIC

PACKAGED HEAT PUMP

75011479

REV.
A



This is a typical illustration. The unit in the field may not appear exactly as shown.

Part No.	Reference No.	Quantity	Description
0000037796~P	*		HEAT EXCHANGER PARTS LIST

Part No.	Reference No.	Quantity	Description
PLT04182	*	1	PLATE; ELECTRIC HEATER, 21.15 x 18.30. INCLUDES BARRIER AND PLATE
SCR01510	*	12	SCREW; 10-16 AB HXW 1/2 SN

Part No.	Reference No.	Quantity	Description
0000026530~P	*		MODEL NUMBER DESCRIPTION

MODEL NUMBER DESCRIPTION
PACKAGED UNITS

75011470

REV
C

Example Model Number:
4 Y C Y 5 0 4 8 A 1 0 9 0 A A
1 - - - 5 - - - 10 - - - 15

Digit 1 – Refrigerant
4 = R-410A

Digit 2 – Type
Y = Gas Electric
W = Heat Pump
D = Dual Fuel
T = Air Conditioner

Digit 3 – Model Tier
C = Convertible
H = Horizontal (only)

Digit 4 – Model Tier
C = Entry Level
X = Upgrade
Y = Premium
Z = Leadership - (2-Stage)
A = RunTru Brand

Digit 5 – Efficiency Tier
3 = 13 SEER
4 = 14 SEER
5 = 15 SEER
6 = 16 SEER

Digits 6,7,8 – Capacity in 1000's (BTUH)
018 042
024 048
030 060
036

Digit 9 – Major Design Change

Digit 10 – Voltage & Phase
1 = 230V 1 Phase
3 = 230V 3 Phase
4 = 460V 3 Phase

Digit 11,12,13 – Gas Heat Input (MBTU/H)
000 (AC or HP) 075
040 096
064 120

Digit 14 – Minor Design Change

Digit 15 – Service Digit - Not Orderable

