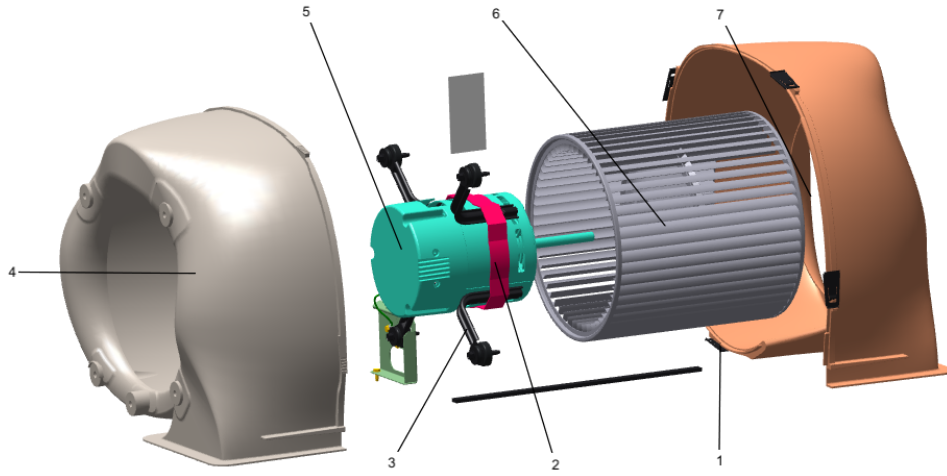


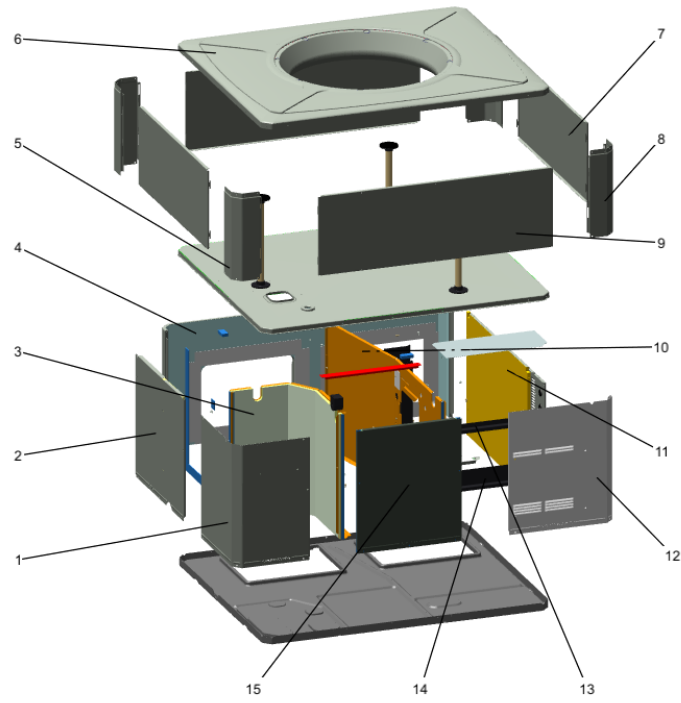
Part No.	Reference No.	Quantity	Description
0000172486~S	*		BLOWER
0000172485~S	*		CABINET
0000209687~S	*		COIL
0000172487~S	*		FAN
0000172493~S	*		GENERAL ASSEMBLY
0000172490~S	*		HEAT EXCHANGER
0000172492~S	*		MODEL NUMBER DESCRIPTION
0000172489~S	*		REFRIGERATION

Part No.	Reference No.	Quantity	Description
0000037735~P	*		BLOWER PARTS LIST



Part No.	Reference No.	Quantity	Description
BLW01732	*	1	BLOWER; ASM-V3
BRK03542	*	1	BRACKET; BLOWER RETAINER, 4.32 X 3.45
NUT01063	*	1	NUT; LOCKING NYLON
SCR00968	*	1	SCREW; 10-16 HEX WASHER, TYPE B, THREAD FORMING SCREW, 0.31 THREAD LENGTH, STEEL W/ZINC FINISH
SCR00998	*	1	SCREW; 10-16 B HXW 1/2 S
SCR01584	*	1	BOLT; 1/4-20 MA HX 1.5 S
SCR02112	*	4	SCREW; ASSEMBLY-MOTOR MOUNT
TIE00004	*	1	TIE; WIRE
CLP01123	1	4	CLIP; CLEAT-BLOWER
BND00026	2	1	BAND; MOTOR MOUNT
BRK03396	3	4	BRACKET; ARM-MOTOR
HUS03804	4	1	HOUSING; BLOWER LEFT SIDE WITH 4 MOUNTING HOLES, MOLDED GLASS FIBER POLYESTER, COLOR: NATURAL
MOT19077	5	1	MOTOR; ECM VS MOTOR MODULE SET; 1/2 HP; 115/230 VOLTAGE; UNPROGRAMMED
WHL02558	6	1	WHEEL; BLOWER, 48 BLADES, CCW, CONCAVE DISC, 10.62 X 10.68
HUS03805	7	1	HOUSING; BLOWER RIGHT SIDE WITHOUT MOUNTING HOLES, MOLDED GLASS FIBER POLYESTER, COLOR: NATURAL

Part No.	Reference No.	Quantity	Description
0000037712~P	*		CABINET PARTS LIST



Part No.	Reference No.	Quantity	Description
BRK03541	*	1	BRACKET; BLOWER SUPPORT, V-SHAPED, 3.13 X 2.75 X 1.50
COV03696	*	1	COVER; INDOOR, TOP, 48.61 X 41.08
COV03698	*	2	COVER; SUPPLY AND RETURN, 15.88 X 11.88
GRM00118	*	1	GROMMET; 3/16 IN ID, NEOPRENE
INS02869	*	1	INSULATION; INDOOR TOP COVER, 17.5 X 7.4
PAI00074	*	0	PAINT; SPRAY, SLATE GREY, FULL GLOSS(88) (SHIPPING UOM 12 OZ HAZ)
SCR00981	*	26	SCREW, 10-16 AB HXW 1/2 S
SCR01510	*	69	SCREW; 10-16 AB HXW 1/2 SN
SCR01511	*	16	SCREW; 10-16 B HXW 1/2 S
SHD00397	*	1	SHIELD; LOUVER, TOP, 5.0 X 1.9
SUP05918	*	3	SUPPORT; OUTDOOR COIL, 3.0 DIA, WITH GASKET
SUP05919	*	3	SUPPORT; OUTDOOR COIL, 3.0 DIA, WITH GASKET
TUB12284	*	3	TUBE; SUPPORT, TOP PIPE, .75 DIA, SCHEDULE 40 GREY PVC, 14.46 INCHES
BAF01378		1	BAFFLE; AIR, 16.00 X 8.50
PNL21998	1	1	PANEL; COMPRESSOR ACCESS, 20.7 X 12.7 & 20.7 X 15.5
PNL22197	2	1	PANEL; SUPPLY AND RETURN, 48.41 X 20.88
PNL28755	3	1	PANEL; COMPRESSOR BARRIER, 27.22 W X 21.15 H
PNL23824	4	2	PANEL; PLASTIC LOUVER, 43.40 X 13.40 - INCLUDES SPEED NUTS AND MOUNTING BRACKETS.
COV03694	5	2	COVER; OUTDOOR, TOP, 48.61 X 41.08
BRK03610	6	16	BRACKET; PLASTIC LOUVER, 2.0 X .63 X .53
PNL22013	7	1	PANEL; BLOWER ACCESS, 17.63 X 20.70
PNL22002	8	4	PANEL; CORNER POST, 13.84 H
PNL22036	9	1	PANEL; ELECTRIC HEAT ACCESS, 35.49 X 20.91
PNL26584	10	1	PANEL; BLOWER BARRIER, 41.05 X 21.15
PNL22041	11	1	PANEL; CONTROL/HEAT ACCESS, 17.93 X 20.70
PNL23823	12	2	PANEL; PLASTIC LOUVER, 35.86 X 13.40 - INCLUDES SPEED NUTS AND MOUNTING BRACKETS.
SHD00396	13	1	SHIELD; LOUVER, CONTROL ACCESS PANEL, 12.95 X 1.50
SHD00395	14	1	SHIELD; LOUVER, CONTROL ACCESS PANEL, 12.95 X 3.40
PNL22039	15	1	PANEL; INDOOR COIL ACCESS, 22.42 X 20.70

Part No.	Reference No.	Quantity	Description
0000055061~P	*		COIL ASSEMBLY OUTDOOR (HT PUMP)

Part No.	Reference No.	Quantity	Description
TIE00007	1	1	TIE;CABLE
TUB11547	2	14	TUBE; TRANSITION ASSEMBLY
TUB11538	3	1	TUBE; RUBBER-BULB-TUBING, 1.125 DIAMETER, 26.000 LENGTH
TUB11951	4	1	TUBE; ASSEMBLY, OUTDOOR FLOW CONTROL, R410A
COL25314	5	1	COIL; OUTDOOR, SPINE FIN
TUB02810	6	14	TUBE; TRANSITION
DHY01653	7	1	DRIER FILTER
TIE00029	8	7	TIE;CABLE
RES00843	9	1	RESISTOR; 9.750 K OHMS
TUB11542	10	1	TUBE; RUBBER-EQUAL-TUBING, .375 DIAMETER, 25.000 LENGTH
INS00306	11	1	INSULATION;
DST00897	12	1	DISTRIBUTOR; 7 OUTLETS, 19 ODS, .50 ODM INLET, BRASS
TER00312	13	7	TERMINAL; 8IN. TIE CABLE
CLP00223	14	1	CLIP; BULB
TIE00015	15	4	TIE;
SEN01370	16	1	SENSOR; ASSEMBLY, 9.75 K RESISTANCE OHMS AT 75 DEG F, YELLOW WIRES, 73 IN AND 75 IN
VAL08700	17	1	VALVE; EXPANSION, 2 TON, 3/8" INLET X 1/2" OUTLET, 95/91 PSIG, R410A
WIR00767	18	2	WIRE; SPLICE
RES00118	19	1	RESISTOR; THERMISTOR , 260 OHMS AT 75 DEGREE F

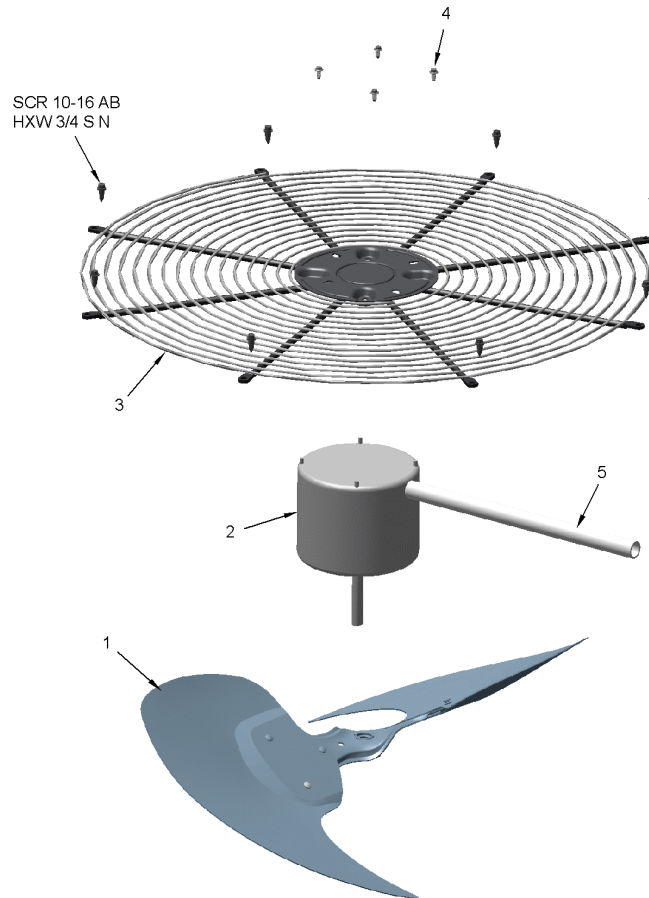
Part No.	Reference No.	Quantity	Description
0000037747~P	*		FAN PARTS LIST

FAN

75010673

REV
A

TYPICAL ILLUSTRATION



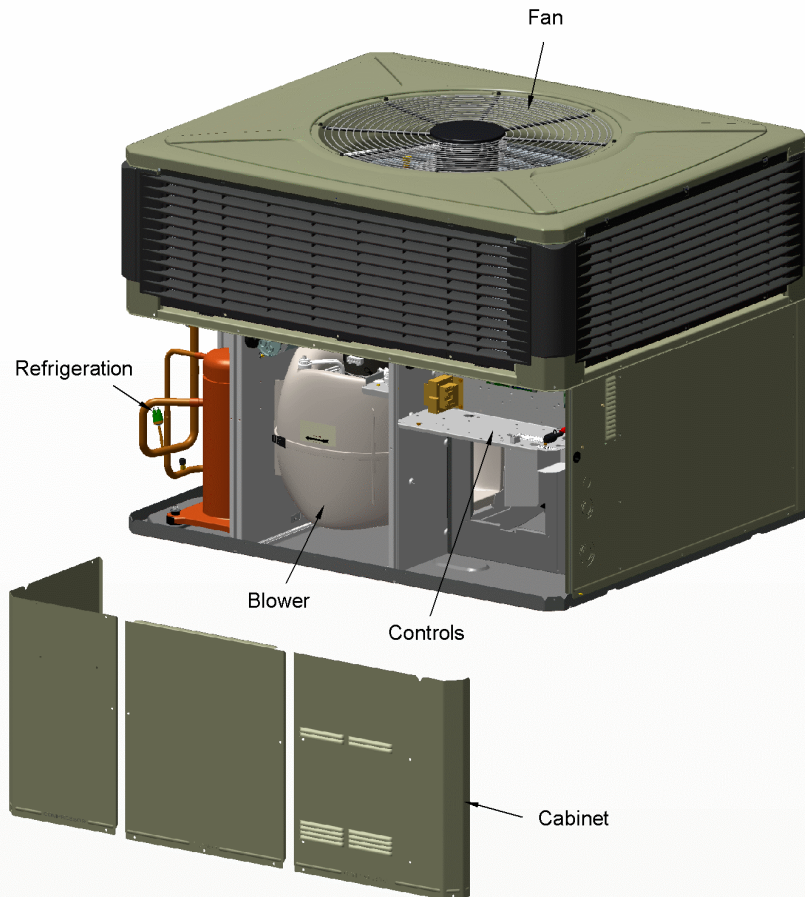
Part No.	Reference No.	Quantity	Description
CPT00266	*	1	CAPACITOR; RUN, 5 MFD, 370V, OVAL, W/O RESISTOR
SCR01511	*	2	SCREW; 10-16 B HXW 1/2 S
SRP00091	*	1	STRAP, CAPACITOR
FAN03983	1	1	FAN; SWEPT BLADE, 2 BLADE, ALUMINUM, 23.4 IN DIA, 30 DEGREES PITCH, .50 IN BORE, CCW, 1 SET SCREW-STEEL
MOT13828	2	1	MOTOR; OUTDOOR, 1/6 HP, 460/60/1, 830 RPM, TYPE PSC, CCW, SLEEVE BEARINGS, 5 MFD CPT AT 370V
GRL01529	3	1	GRILL; OUTDOOR FAN, 26.0 IN MOUNTING DIA
SCR02086	4	4	SCREW; 10-32 TR-3 HXW 3/8 S
GRD01633	5	1	GUARD; TROUGH-LEAD

Part No.	Reference No.	Quantity	Description
0000026527~P	*		GENERAL ASSEMBLY GRAPHIC

PACKAGED HEAT PUMP

75011479

REV.
A



This is a typical illustration. The unit in the field may not appear exactly as shown.

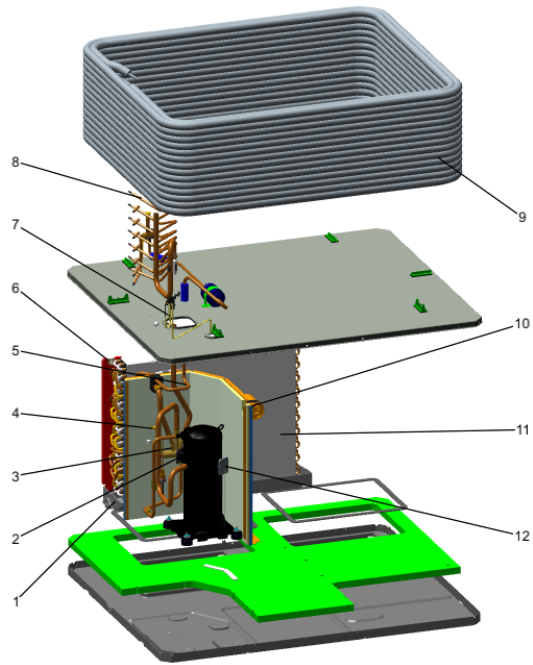
Part No.	Reference No.	Quantity	Description
0000037796~P	*		HEAT EXCHANGER PARTS LIST

Part No.	Reference No.	Quantity	Description
PLT04182	*	1	PLATE; ELECTRIC HEATER, 21.15 x 18.30. INCLUDES BARRIER AND PLATE
SCR01510	*	12	SCREW; 10-16 AB HXW 1/2 SN

Part No.	Reference No.	Quantity	Description
0000026530~P	*		MODEL NUMBER DESCRIPTION

MODEL NUMBER DESCRIPTION	75011470	REV C
PACKAGED UNITS		
<i>Example Model Number:</i> 4 Y C Y 5 0 4 8 A 1 0 9 0 A A <small>1 - - - 5 - - - 10 - - - 15</small>		
Digit 1 – Refrigerant 4 = R-410A		
Digit 2 – Type Y = Gas Electric W = Heat Pump D = Dual Fuel T = Air Conditioner		
Digit 3 – Model Tier C = Convertible H = Horizontal (only)		
Digit 4 – Model Tier C = Entry Level X = Upgrade Y = Premium Z = Leadership - (2-Stage) A = RunTru Brand		
Digit 5 – Efficiency Tier 3 = 13 SEER 4 = 14 SEER 5 = 15 SEER 6 = 16 SEER		
Digits 6,7,8 – Capacity in 1000's (BTUH) 018 042 024 048 030 060 036		
Digit 9 – Major Design Change		
Digit 10 – Voltage & Phase 1 = 230V 1 Phase 3 = 230V 3 Phase 4 = 460V 3 Phase		
Digit 11,12,13 – Gas Heat Input (MBTU/H) 000 (AC or HP) 075 040 096 064 120		
Digit 14 – Minor Design Change		
Digit 15 – Service Digit - Not Orderable		
1 of 1		

Part No.	Reference No.	Quantity	Description
0000037813~P	*		REFRIGERATION PARTS LIST



Part No.	Reference No.	Quantity	Description
BLT00809	*	4	BOLT; CARRIAGE, 5/16-18 X 1-3/4
CAP00455	*	3	CAP; HUB, 7/16-20 STRAIGHT
CON00251	*	4	CONNECTOR; WIRE
COR00103	*	3	CORE; VALVE, .79 LENGTH, .206-36 UNS-1 MOD. THD
DST00895	*	1	DISTRIBUTOR; 5 OUTLETS, 19 ODS, .50 ODM INLET, BRASS
DST00897	*	1	DISTRIBUTOR; 7 OUTLETS, 19 ODS, .50 ODM INLET, BRASS
GRM00103	*	1	GROMMET; SPLIT, COMPRESSOR
INS00306	*	1	INSULATION;
ISR00007	*	4	ISOLATOR; VIBRATION
KIT08039	*	4	KIT; GROMMETS. COMPRESSOR MOUNTING. (CONSISTS OF 4), 0.44 ID X 1.63 OD NEOPRENE RUBBER-BLACK 45-55 DUROMETER
NUT00355	*	4	NUT; HEX, LOCK, 5/16IN.-18
NUT00890	*	4	NUT; PALLET, 5/16-18 UNC 2B THD.
PAN02888	*	1	PAN; DRAIN, BLACK PVC, 29.58 X 7.75
RES00118	*	1	RESISTOR; THERMISTOR , 260 OHMS AT 75 DEGREE F
RES00843	*	1	RESISTOR; 9.750 K OHMS
RNG01088	*	22	RING; BRAZE
SCR01510	*	1	SCREW; 10-16 AB HXW 1/2 SN
SWT03739	*	1	SWITCH; HIGH PRESSURE, OPEN @ 650 PSIG, CLOSE @ 500 PSIG, 74" BK-YL LEADS, BRAZED
TER00312	*	29	TERMINAL; 8IN. TIE CABLE
TUB11538	*	1	TUBE; RUBBER-BULB-TUBING, 1.125 DIAMETER, 26.000 LENGTH
TUB11542	*	1	TUBE; RUBBER-EQUAL-TUBING, .375 DIAMETER, 25.000 LENGTH
VAL08700	*	1	VALVE; EXPANSION, 2 TON, 3/8" INLET X 1/2" OUTLET, 95/91 PSIG, R410A
VAL08882	*	1	VALVE; SWITCHOVER, 4 TON (INCLUDES SOLENOID COIL)
WAS00638	*	4	WASHER; FLAT, 5/16 INCH
WIR00767	*	2	WIRE; SPLICE
WIR04494	*	1	WIRE; PLUG, SCROLL COMPRESSOR
CLP00223		2	CLIP; BULB
PAN02764	1	1	PAN; DRAIN, BLACK PVC, 29.58 X 7.75
COM10845	2	1	COMPRESSOR; SCROLL, ALLIANCE, TXA030C4BTZ, 2.5 TON, 460V/60/3, R-410A, 3/4 SUCTION, 1/2 DISCHARGE, STUB TUBE
TUB11951	3	1	TUBE; ASSEMBLY, OUTDOOR FLOW CONTROL, R410A
VAL18351	3a	1	VALVE; EXPANSION, 3 TON, 3/8 INLET X 1/2 OUTLET, 92/88 PSIG, R410A
BOD00114	4a	3	BODY; VALVE, BRASS, 7/16 HEX, 7/16 -20 UNF-2A
TUB13267	5	1	TUBE; LIQUID LINE ASSEMBLY
TUB13600	5a	1	TUBE; LIQUID
GKT01820	6	4	GASKET; 3/4 OD X 7/16 ID X .06 THK
SEN01370	7	1	SENSOR; ASSEMBLY, 9.75 K RESISTANCE OHMS AT 75 DEG F, YELLOW WIRES, 73 IN AND 75 IN
TUB11547	8	14	TUBE; TRANSITION ASSEMBLY
TUB02810	8a	14	TUBE; TRANSITION
COL25314	9	1	COIL; OUTDOOR, SPINE FIN
COL25471	11	1	COIL; INDOOR, FLAT FIN
PLU00976	12	1	PLUG; COMPRESSOR SOLENOID, 2-WIRE (WH,WH), 69 IN LENGTH