

<b>Part No.</b>	<b>Reference No.</b>	<b>Quantity</b>	<b>Description</b>
0000100624~S	*		BLOWER
0000100625~S	*		CABINET - LOWER
0000100626~S	*		CABINET - UPPER
0000100623~S	*		CONTROLS
0000100622~S	*		FAN
0000100619~S	*		GENERAL ASSEMBLY
0000100627~S	*		MODEL NUMBER DESCRIPTION
0000100628~S	*		OPTIONAL ACCESSORIES
0000100620~S	*		OUTDOOR COIL
0000100621~S	*		REFRIGERATION

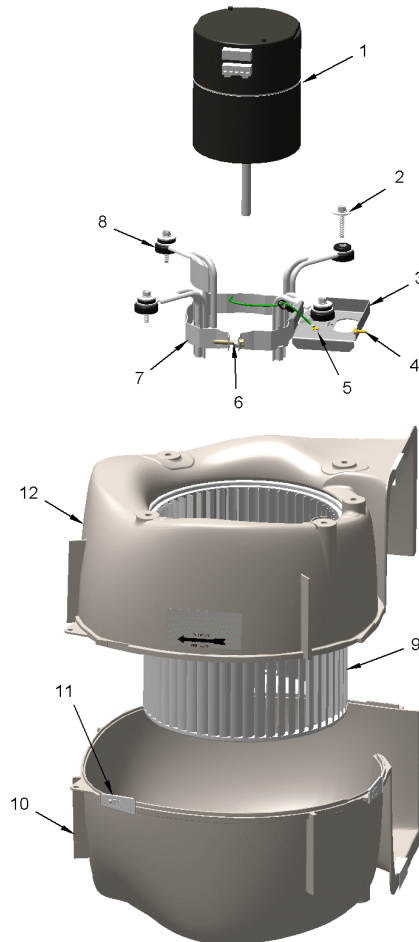
Part No.	Reference No.	Quantity	Description
000009356~P	*		BLOWER PARTS LIST

BLOWER

75010829

REV.  
A

TYPICAL ILLUSTRATION



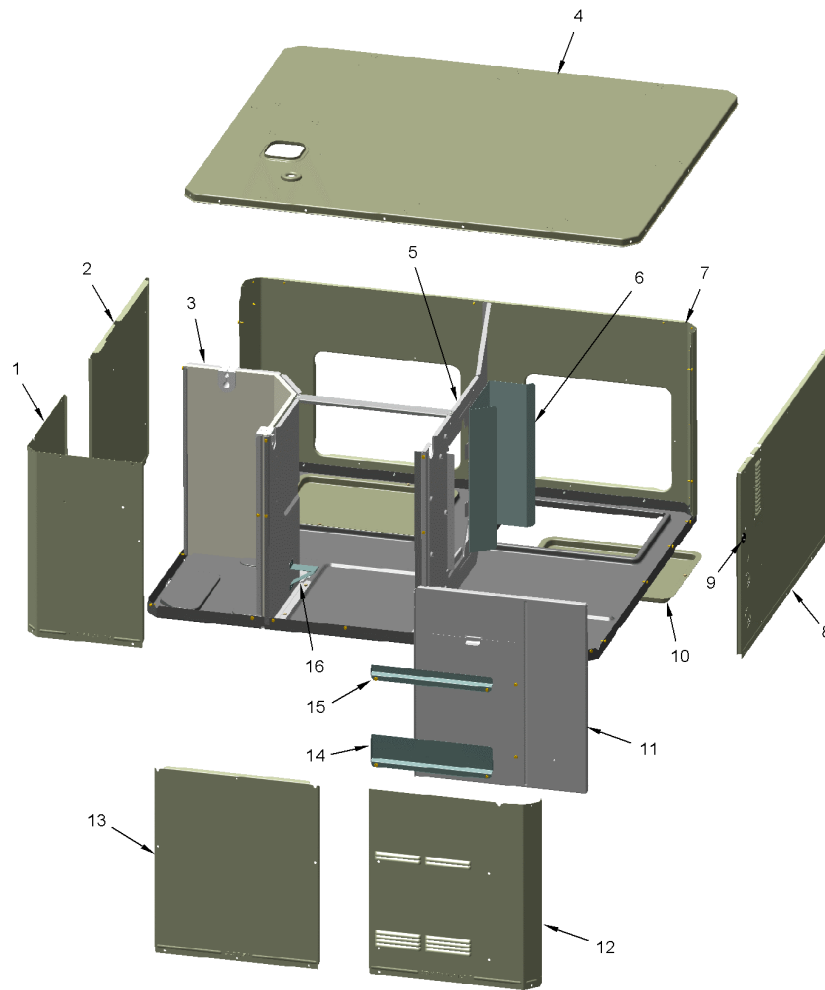
Part No.	Reference No.	Quantity	Description
BLW01001	*	1	BLOWER; ASSEMBLY, COMPLETE
MOT15118	1a	1	MOTOR; VARIABLE SPEED, PROGRAMMED EON ASSEMBLY, 1/2 HP, DUAL VOLT, 1800 RPM
MOD02268	1b	1	MODULE; EON, ELECTRONIC MOTOR CONTROL, VARIABLE SPEED PROGRAMMED
SCR02112	2	4	SCREW; ASSEMBLY-MOTOR MOUNT
BRK03542	3	1	BRACKET; BLOWER RETAINER, 4.32 X 3.45
SCR00998	4	1	SCREW; 10-16 B HXW 1/2 S
SCR00968	5	1	SCREW; 10-16 HEX WASHER, TYPE B, THREAD FORMING SCREW, 0.31 THREAD LENGTH, STEEL W/ZINC FINISH
NUT00487	6a	1	NUT; STEEL HEX, 1/4-20
SCR01584	6b	1	BOLT; 1/4-20 MA HX 1.5 S
WAS00646	6c	1	WASHER; STEEL SPRING LOCK, 1/4 INCH
BND00026	7	1	BAND; MOTOR MOUNT
BRK03396	8	4	BRACKET; ARM-MOTOR
WHL02558	9	1	WHEEL; BLOWER, 48 BLADES, CCW, CONCAVE DISC, 10.62 X 10.68
HUS03805	10	1	HOUSING; BLOWER RIGHT SIDE WITHOUT MOUNTING HOLES, MOLDED GLASS FIBER POLYESTER, COLOR: NATURAL
CLP01088	11	4	CLIP; CLEAT-BLOWER
HUS03804	12	1	HOUSING; BLOWER LEFT SIDE WITH 4 MOUNTING HOLES, MOLDED GLASS FIBER POLYESTER, COLOR: NATURAL

Part No.	Reference No.	Quantity	Description
000009396~P	*		CABINET - LOWER PARTS LIST

CABINET  
LOWER - INDOOR  
TYPICAL ILLUSTRATION

75010713

REV.  
A



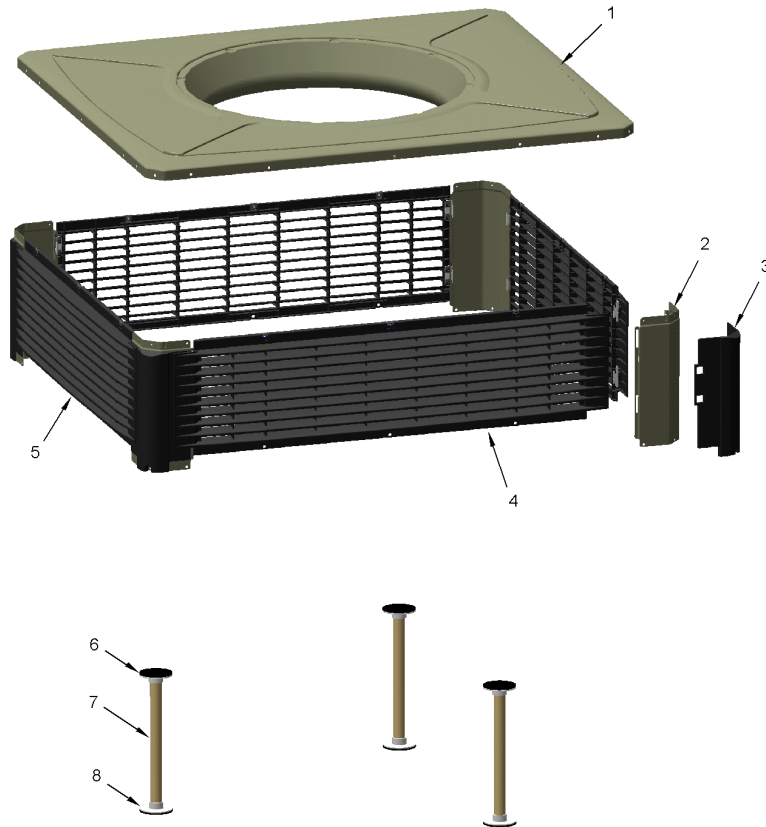
Part No.	Reference No.	Quantity	Description
PAI00074	*	1	PAINT; SPRAY, SLATE GREY, FULL GLOSS(88) (SHIPPING UOM 12 OZ HAZ)
SCR01510	*	45	SCREW; 10-16 AB HXW 1/2 SN
SHD00397	*	1	SHIELD; LOUVER, TOP, 5.0 X 1.9
PNL21998	1	1	PANEL; COMPRESSOR ACCESS, 20.7 X 12.7 & 20.7 X 15.5
PNL22039	2	1	PANEL; INDOOR COIL ACCESS, 22.42 X 20.70
PNL28755	3	1	PANEL; COMPRESSOR BARRIER, 27.22 W X 21.15 H
COV03696	4	1	COVER; INDOOR, TOP, 48.61 X 41.08
PNL26584	5	1	PANEL; BLOWER BARRIER, 41.05 X 21.15
BAF01378	6	1	BAFFLE; AIR, 16.00 X 8.50
PNL22197	7	1	PANEL; SUPPLY AND RETURN, 48.41 X 20.88
PNL22036	8	1	PANEL; ELECTRIC HEAT ACCESS, 35.49 X 20.91
GRM00118	9	1	GROMMET; 3/16 IN ID, NEOPRENE
COV03698	10	2	COVER; SUPPLY AND RETURN, 15.88 X 11.88
PLT04182	11a	1	PLATE; ELECTRIC HEATER, 21.15 x 18.30. INCLUDES BARRIER AND PLATE
SCR01510	11b	12	SCREW; 10-16 AB HXW 1/2 SN
PNL22041	12	1	PANEL; CONTROL/HEAT ACCESS, 17.93 X 20.70
PNL22013	13	1	PANEL; BLOWER ACCESS, 17.63 X 20.70
SHD00395	14	1	SHIELD; LOUVER, CONTROL ACCESS PANEL, 12.95 X 3.40
SHD00396	15	1	SHIELD; LOUVER, CONTROL ACCESS PANEL, 12.95 X 1.50
BRK03541	16	1	BRACKET; BLOWER SUPPORT, V-SHAPED, 3.13 X 2.75 X 1.50

Part No.	Reference No.	Quantity	Description
000009417~P	*		CABINET - UPPER PARTS LIST

CABINET  
UPPER-OUTDOOR  
TYPICAL ILLUSTRATION

75010828

REV.  
A



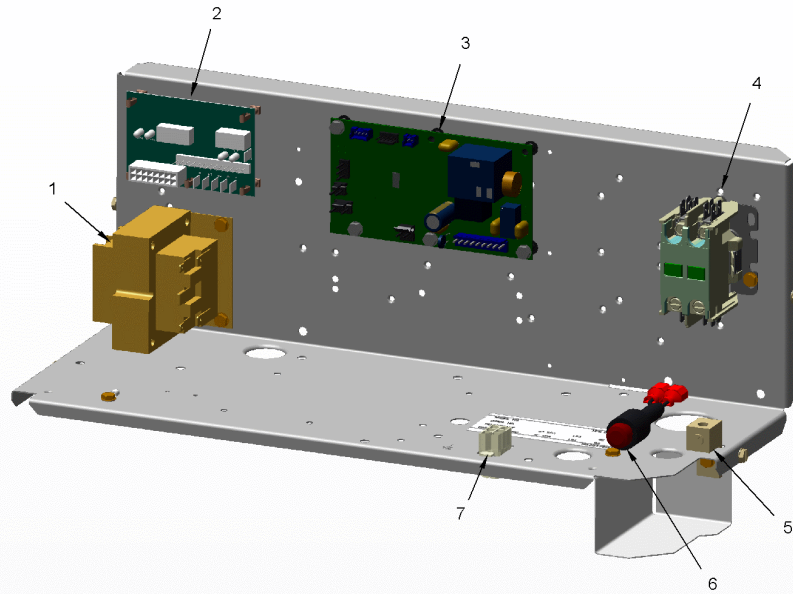
Part No.	Reference No.	Quantity	Description
SCR01510	*	24	SCREW; 10-16 AB HXW 1/2 SN
SCR01511	*	12	SCREW; 10-16 B HXW 1/2 S
SCR02108	*	24	SCREW; SCR 10-16 AB HXW 5/8 S
COV03694	1	2	COVER; OUTDOOR, TOP, 48.61 X 41.08
PNL22001	2	8	PANEL; CORNER POST, 11.84 H
GRD01914	3	8	GUARD; BUMPER, UPPER CORNER, 10.81 H X 6.83 W
PNL22189	4	4	PANEL; PLASTIC LOUVER, 43.40 X 11.40 - INCLUDES SPEED NUTS AND MOUNTING BRACKETS.
PNL22185	5	4	PANEL; PLASTIC LOUVER, 35.86 X 11.40 - INCLUDES SPEED NUTS AND MOUNTING BRACKETS.
SUP05919	6	6	SUPPORT; OUTDOOR COIL, 3.0 DIA, WITH GASKET
TUB12006	7	6	TUBE; SUPPORT, TOP PIPE, .75 DIA, SCHEDULE 40 GREY PVC, 12.46 INCHES
SUP05918	8	6	SUPPORT; OUTDOOR COIL, 3.0 DIA, WITH GASKET

<b>Part No.</b>	<b>Reference No.</b>	<b>Quantity</b>	<b>Description</b>
000009436~P	*		CONTROLS PARTS LIST

CONTROLS

75011469

REV.  
A



This is a typical illustration. The unit in the field may not appear exactly as shown.

Part No.	Reference No.	Quantity	Description
CON00211	*	1	CONNECTOR; POLARIZED, 9 PIN
CON00251	*	3	CONNECTOR; WIRE
RES00118	*	1	RESISTOR; THERMISTOR , 260 OHMS AT 75 DEGREE F
SEN01510	*	1	SENSOR; ASSEMBLY-AMBIENT, 83/85 IN LENGTH WIRES
WIR08340	*	1	WIRE; HARNESS, CONTROLS, INCLUDES SEN01510 PLUS HIGH & LOW VOLTAGE HARNESSES
TRR01558	1	1	TRANSFORMER; 75VA, 200/230V PRI, 24V SEC, QUICK CONNECTS
CNT03600	2	1	CONTROL; ICM FAN, PWB, 16 PIN
CNT07482	3a	1	CONTROL, DEFROST BOARD
SCR01924	3b	4	SCREW; 6-32 X .75, THREAD ROLLING SCREWS-ZINC PLATED, HEX WASHER
CTR01333	4	1	CONTACTOR; 2 POLE, NO, 40 FLA AT 240V, 50/60 HZ, 50 RES AMPS, 24V COIL, 40 FLA AT 277/480/600V
LUG00014	5	1	LUG, GROUND
FUS01776	6	1	FUSE; 3.2 AMP, WITH HOLDER AND QUICK CONNECTS
RCT00062	7	1	RECEPTACLE; CONNECTOR, 6 PIN, POLARIZED, MALE

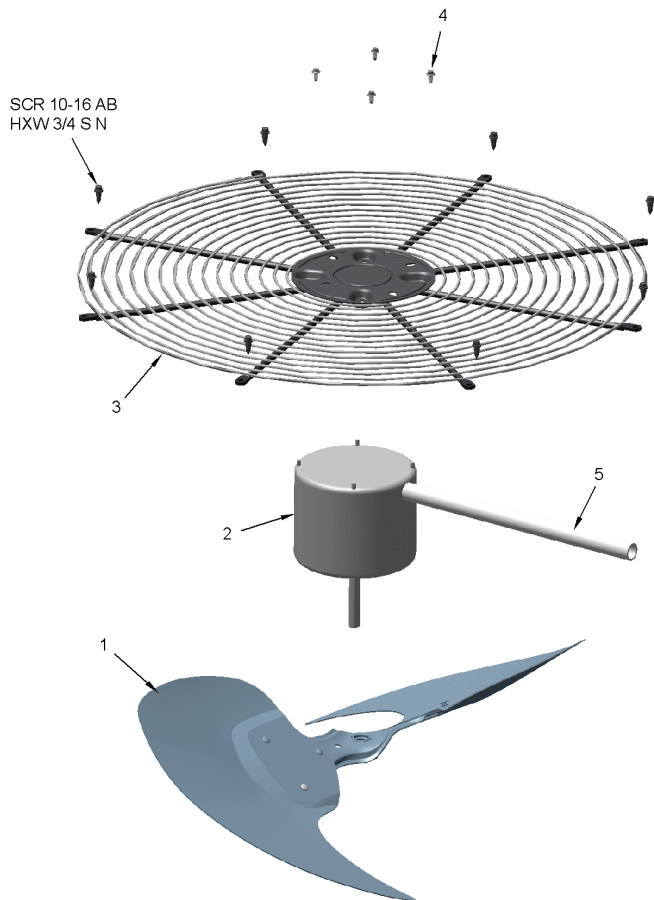
Part No.	Reference No.	Quantity	Description
000009423~P	*		FAN PARTS LIST

FAN

75010673

REV  
A

TYPICAL ILLUSTRATION



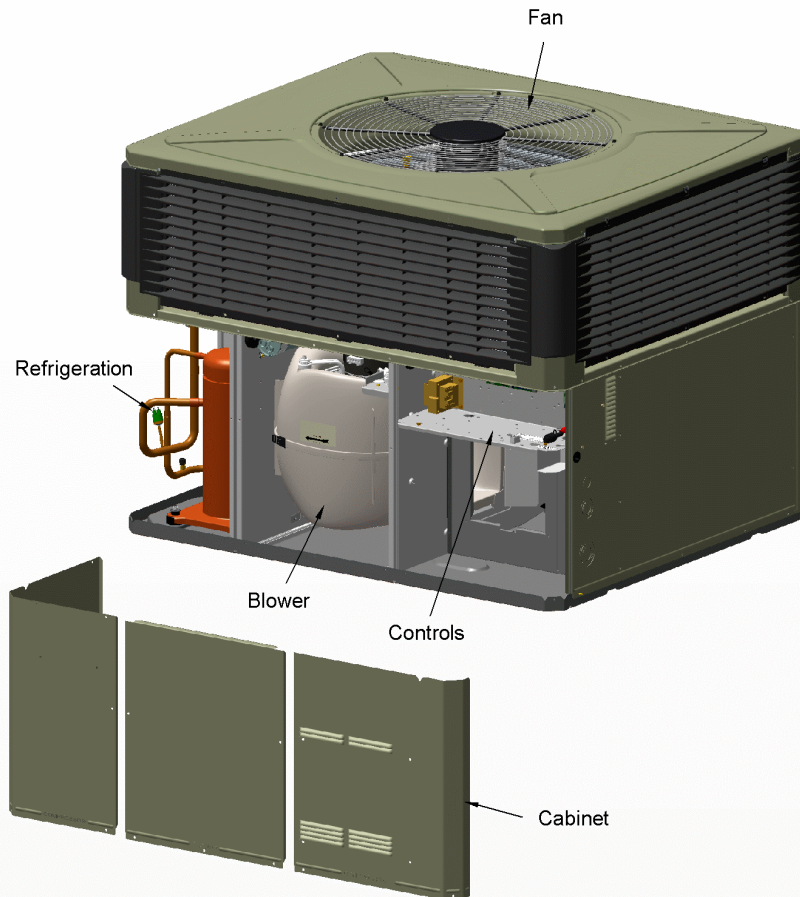
Part No.	Reference No.	Quantity	Description
FAN03983	1	1	FAN; SWEPT BLADE, 2 BLADE, ALUMINUM, 23.4 IN DIA, 30 DEGREES PITCH, .50 IN BORE, CCW, 1 SET SCREW-STEEL
MOT13827	2	1	MOTOR; OUTDOOR, 1/6 HP, 200-230/60/1, 830 RPM, TYPE PSC, CCW, SLEEVE BEARINGS, 5 MFD CPT AT 370V
GRL01529	3	1	GRILL; OUTDOOR FAN, 26.0 IN MOUNTING DIA
SCR02086	4	4	SCREW; 10-32 TR-3 HXW 3/8 S
GRD01633	5	1	GUARD; TROUGH-LEAD

Part No.	Reference No.	Quantity	Description
000009480~P	*		GENERAL ASSEMBLY GRAPHIC

PACKAGED HEAT PUMP

75011479

REV.  
A



This is a typical illustration. The unit in the field may not appear exactly as shown.

Part No.	Reference No.	Quantity	Description
000008616~P	*		MODEL NUMBER GRAPHIC

<b>MODEL NUMBER DESCRIPTION</b>	75011470	<small>REV</small> <b>C</b>
<b>PACKAGED UNITS</b>		
<i>Example Model Number:</i> <b>4 Y C Y 5 0 4 8 A 1 0 9 0 A A</b> <small>1 - - - 5 - - - 10 - - - 15</small>		
<b>Digit 1 – Refrigerant</b> 4 = R-410A		
<b>Digit 2 – Type</b> Y = Gas Electric W = Heat Pump D = Dual Fuel T = Air Conditioner		
<b>Digit 3 – Model Tier</b> C = Convertible H = Horizontal (only)		
<b>Digit 4 – Model Tier</b> C = Entry Level X = Upgrade Y = Premium Z = Leadership - (2-Stage) A = RunTru Brand		
<b>Digit 5 – Efficiency Tier</b> 3 = 13 SEER 4 = 14 SEER 5 = 15 SEER 6 = 16 SEER		
<b>Digits 6,7,8 – Capacity in 1000's (BTUH)</b> 018      042 024      048 030      060 036		
<b>Digit 9 – Major Design Change</b>		
<b>Digit 10 – Voltage &amp; Phase</b> 1 = 230V 1 Phase 3 = 230V 3 Phase 4 = 460V 3 Phase		
<b>Digit 11,12,13 – Gas Heat Input (MBTU/H)</b> 000 (AC or HP)    075 040                    096 064                    120		
<b>Digit 14 – Minor Design Change</b>		
<b>Digit 15 – Service Digit - Not Orderable</b>		
1 of 1		

Part No.	Reference No.	Quantity	Description
000009456~P	*		OPTIONAL ACCESSORIES LIST

Part No.	Reference No.	Quantity	Description
BAYUV101A	*	1	25 WATT UV LIGHT KIT FOR SMALL PACKAGED UNITS
ECN00111	*	1	ECONOMIZER; DOWN DISCHARGE, AND RAIN HOOD (BAYECON101AA)
ECN00113	*	1	ECONOMIZER; HORIZONTAL (BAYECON200AA)
HTR15949	*	1	HEATER; ELECTRIC, 3.76/5.0 KW, 208/240/1 (BAYHTRV105FA)
HTR15992	*	1	HEATER; ELECTRIC, 6.0/8.0 KW, 208/240/1 (BAYHTRV108F)
HTR15996	*	1	HEATER; ELECTRIC, 7.51/10.0 KW, 208/240/1 (BAYHTRV110FA)
KIT03361	*	1	KIT; LIFTING LUGS-BAYLIFT002B (CTN = 6 PIECES)
KIT06658	*	1	KIT; ENTHALPY CONTROL (BAYENTH001AB)
KIT13551	*	1	KIT; CURB ADAPTER (BAYADAP050AA)
KIT13552	*	1	KIT; CURB ADAPTER (BAYADAP051AA)
KIT13559	*	1	KIT; 12 INCH DUCT SHROUD COVERS HORIZONTAL (BAYCOVR112AA)
KIT13560	*	1	KIT; 18 INCH DUCT SHROUD COVERS HORIZONTAL (BAYCOVR118AA)
KIT13561	*	1	KIT; FULL PERIMETER ROOF MOUNTING CURB (BAYCURB050AA)
KIT13563	*	1	KIT; OUTSIDE AIR, 2 POS DAMPER (BAYDMPR101AA)
KIT13565	*	1	KIT; EXTREME CURB MOUNTING (BAYEXMK001AA)
KIT13567	*	1	KIT; EXTREME CURB MOUNTING (BAYEXMK003AA)
KIT13571	*	1	KIT; OUTSIDE AIR, MANUAL DAMPER (BAYOSAH001AA)
KIT13573	*	1	KIT; QUICK START (BAYQSTK300AA)
KIT13575	*	1	KIT; SQUARE/ROUND DUCT ADAPTER (BAYSQRD001AA)
KIT13640	*	1	KIT; LOW AMBIENT COOLING, HEAD PRESSURE CONTROL (BAYLOAM105AA)
KIT15141	*	1	KIT; ACCESS DOOR, 1-1/2 TO 3 TON MODELS (BAYACCDOR1AA)
KIT15323	*	1	KIT; EXTREME CURB MOUNTING (BAYEXMK002BA)
KIT15325	*	1	KIT; SQUARE/ROUND DUCT ADAPTER (BAYUTIL101BA)
KIT15403	*	1	KIT; ECONOMIZER, HINGED FILTER ACCESS DOOR AND FILTER FRAME (BAYECONCOMB101A)
KIT16161	*	1	KIT; SINGLE POWER ENTRY (BAYSPEK060F)
KIT16162	*	1	KIT; SINGLE POWER ENTRY (BAYSPEK062F)
KIT17662	*	1	KIT; CRANKCASE HEATER (BAYCCHT103A)
RLY01652	*	1	RELAY; KIT (BAYRLAY004AA)
TMR00140	*	1	TIMER; ANTISHORT CYCLE (BAYASCT001)

OUTDOOR COIL

Parts List Number :0000097637

Model Number :4WCY5024A1000AA

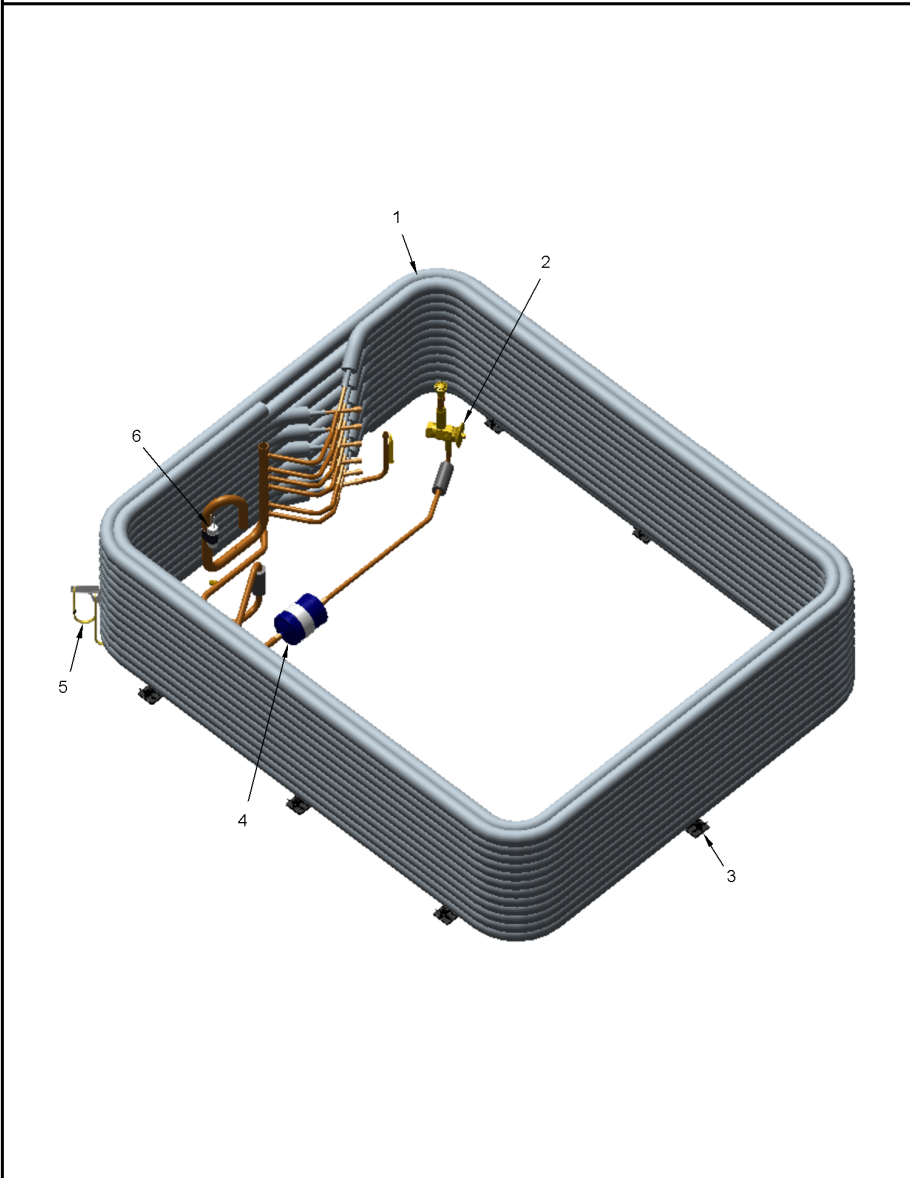
Part No.	Reference No.	Quantity	Description
000009441~P	*		OUTDOOR COIL PARTS LIST

OUTDOOR COIL

75010672

REV.  
A

TYPICAL ILLUSTRATION



Part No.	Reference No.	Quantity	Description
COL27478	1	1	COIL; OUTOOR, FLAT FIN, 45.95 L X 38.42 W X 12.50 H, INCLUDES FLOW CONTROL ASM, DRIER, SEN01370
VAL12383	2a	1	VALVE; TEV HXCE 1 KX200 R410A
DST00894	2b	1	DISTRIBUTOR; 4 OUTLETS, 19 ODS, .50 ODM INLET, BRASS
DHY01450	4	1	DRIER; BI-FLOW; SERVICE FIRST; 5 CU. IN; DCB053S, 3/8 ODF CONNECTIONS; APPROVED FOR MINERAL OIL AND POE OIL REFRIGERANTS; MANUFACTURED FOR TRANE BY DA
SEN01370	5	1	SENSOR; ASSEMBLY, 9.75 K RESISTANCE OHMS AT 75 DEG F, YELLOW WIRES, 73 IN AND 75 IN
CLP00223	6	1	CLIP; BULB

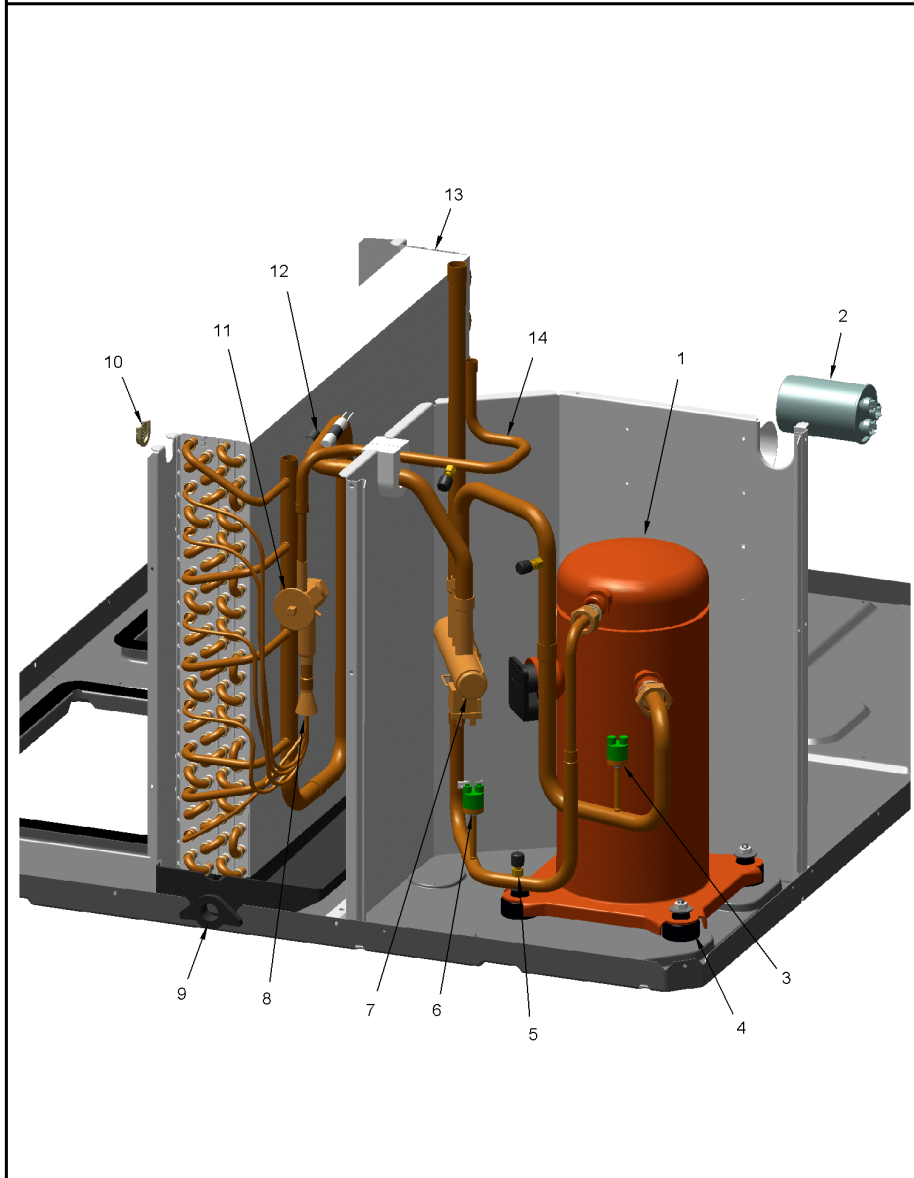
Part No.	Reference No.	Quantity	Description
000009431~P	*		REFRIGERATION PARTS LIST

REFRIGERATION

75010704

REV.  
A

TYPICAL ILLUSTRATION



Part No.	Reference No.	Quantity	Description
TUB13913	*	1	TUBE; ASSEMBLY, DISCHARGE, INCLUDES HPCO
WIR04493	*	1	WIRE; PLUG, SCROLL COMPRESSOR
COM12082	1	1	COMPRESSOR; SCROLL; ALLIANCE; SBA021C1CPA; 1.75 TON; 21,000 BTUH; 208/230-60-1; R-410A; BRAZED; SUCTION 3/4; DISCHARGE 1/2
CPT00668	2a	1	CAPACITOR; DUAL, 440V, 40/5 MFD, ROUND, W/O RESISTOR
SRP00093	2b	1	STRAP;CAPACITOR
SWT03892	3	1	SWITCH; LOW PRESSURE, 35 PSIG OPEN, 55 PSIG RESET SWITCH
BLT00809	4a	4	BOLT; CARRIAGE, 5/16-18 X 1-3/4
GKT01820	4b	4	GASKET; 3/4 OD X 7/16 ID X .06 THK
ISR00007	4c	4	ISOLATOR; VIBRATION
NUT00355	4d	4	NUT; HEX, LOCK, 5/16IN.-18
NUT00890	4e	4	NUT; PALLET, 5/16-18 UNC 2B THD.
WAS00638	4f	4	WASHER; FLAT, 5/16 INCH
BOD00114	5a	3	BODY; VALVE, BRASS, 7/16 HEX, 7/16 -20 UNF-2A
CAP00455	5b	3	CAP; HUB, 7/16-20 STRAIGHT
COR00103	5c	3	CORE; VALVE, .79 LENGTH, .206-36 UNS-1 MOD. THD
SWT03542	6	1	SWITCH; HIGH PRESSURE, SPST, OPEN @ 650 PSIG, CLOSE @ 500 PSIG, BRAZED
VAL08991	7	1	VALVE; SWITCHOVER, 3 TON, .50 IDF X .75 OD, W/ 24V SOLENOID COIL
DST00895	8	1	DISTRIBUTOR; 5 OUTLETS, 19 ODS, .50 ODM INLET, BRASS
PAN02888	9	1	PAN; DRAIN, BLACK PVC, 29.58 X 7.75
GRM00103	10	1	GROMMET; SPLIT, COMPRESSOR
VAL11903	11	1	VALVE; EXPANSION, 2 TON, 3/8" INLET X 1/2" OUTLET, 200/90 PSIG, INTERNALLY CHECKED, WITH STRAINER, R410A
CLP00223	12	1	CLIP; BULB
COL25796	13	1	COIL; INDOOR, FLAT FIN, 25.50 L X 20.00 H, INCLUDES FLOW CONTROL ASSEMBLY
TUB13267	14	1	TUBE; LIQUID LINE ASSEMBLY