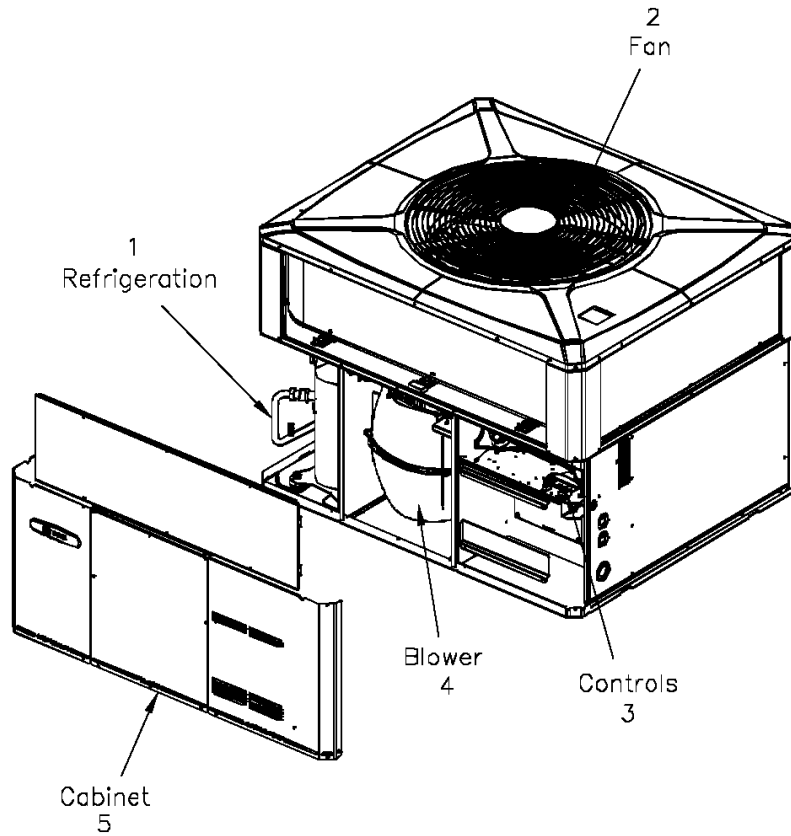


General Assembly

75008360

REV
A

Typical illustration. Unit may not appear exactly as shown.



View is determined by facing Appearance Nameplate

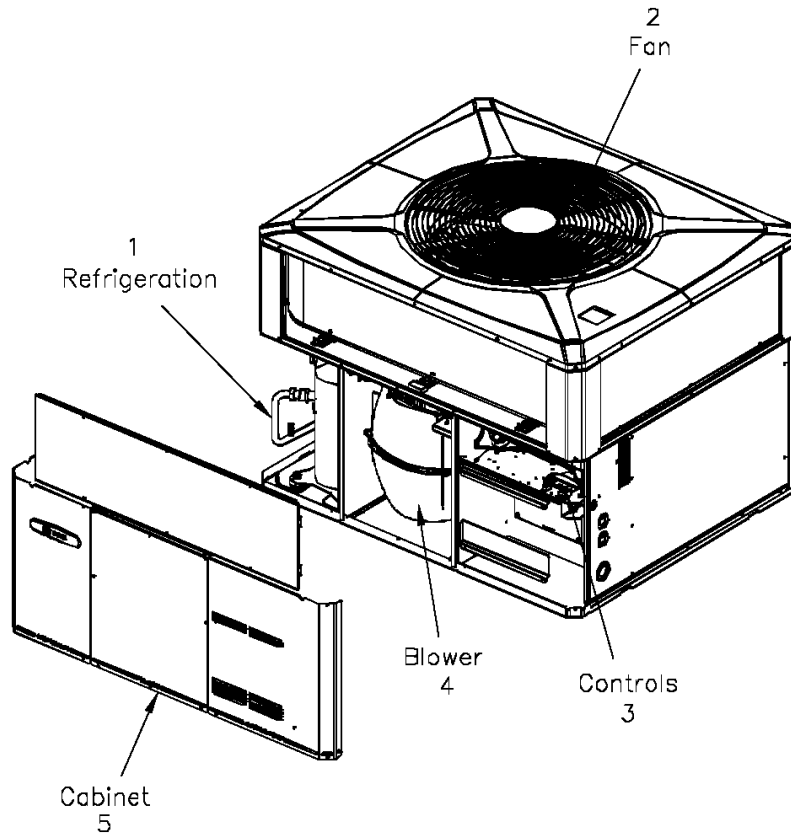
Part No.	Reference No.	Quantity	Description
75008694#4WCY4UP1~S	*		BLOWER
75008359#4WCY4UP1~S	*		CABINET
75008580#4WCY4UP1~S	*		CONTROLS
75005599#4WCY4UP1~S	*		FAN
75008360_4WCY4UP1_149539~ P	*		GENERAL ASSEMBLY PARTS LIST
75008692#4WCY4UP1~S	*		MODEL NOMENCLATURE
NGRAPHIC#4WCY4UP1~S	*		OPTIONAL FIELD INSTALLED ACCESSORIES
75008375#4WCY4UP1~S	*		REFRIGERATION

General Assembly

75008360

REV
A

Typical illustration. Unit may not appear exactly as shown.



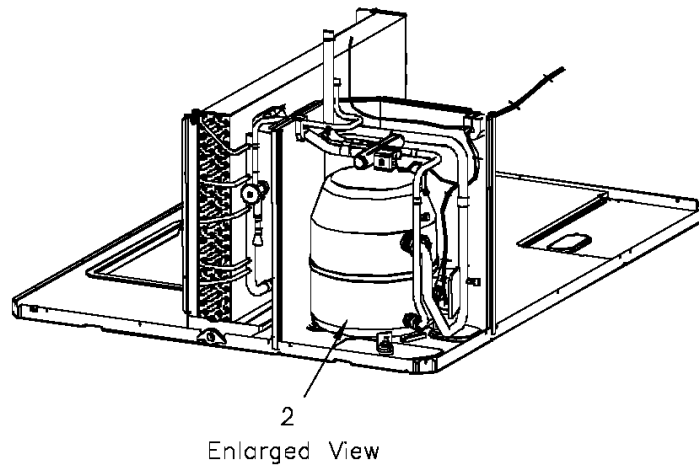
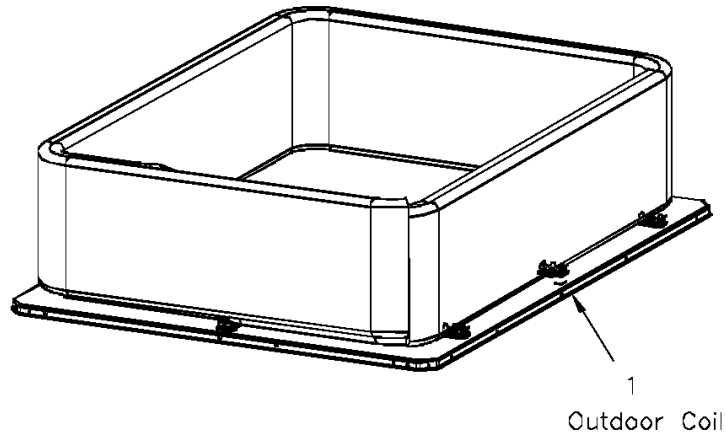
View is determined by facing Appearance Nameplate

Refrigeration

75008375

REV
A

Typical illustration. Unit may not appear exactly as shown.



REFRIGERATION

Parts List Number :75008360#4WCY4UP1

Model Number :4WCY4030A1000BA

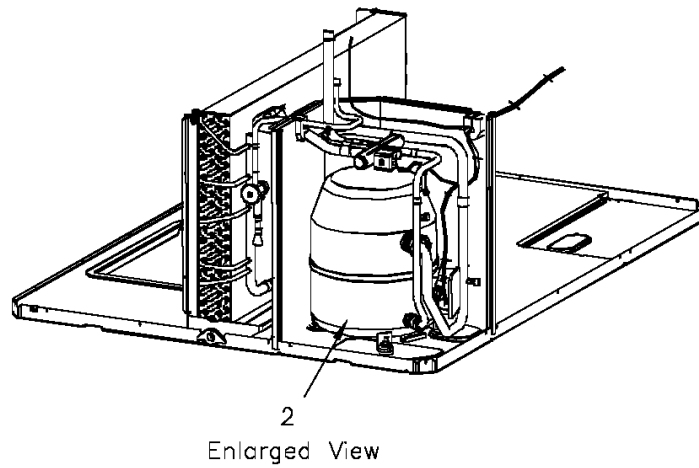
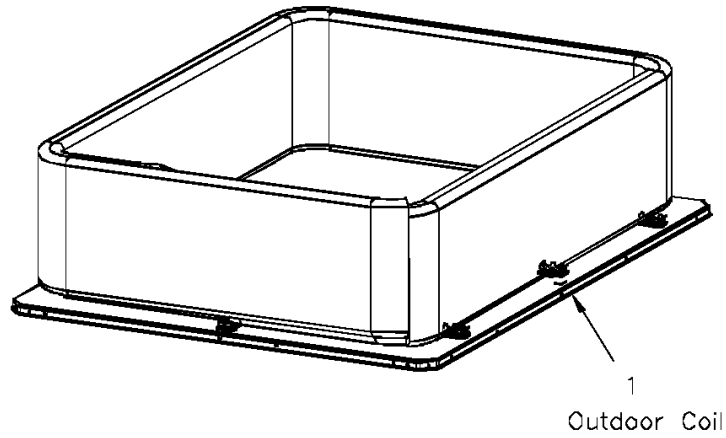
Part No.	Reference No.	Quantity	Description
75009730#4WCY4UP1~S	*		ENLARGED VIEW
75008354#4WCY4UP1~S	*		OUTDOOR COIL
75008375_4WCY4UP1_200759~ P	*		REFRIGERATION PARTS LIST

Refrigeration

75008375

REV
A

Typical illustration. Unit may not appear exactly as shown.

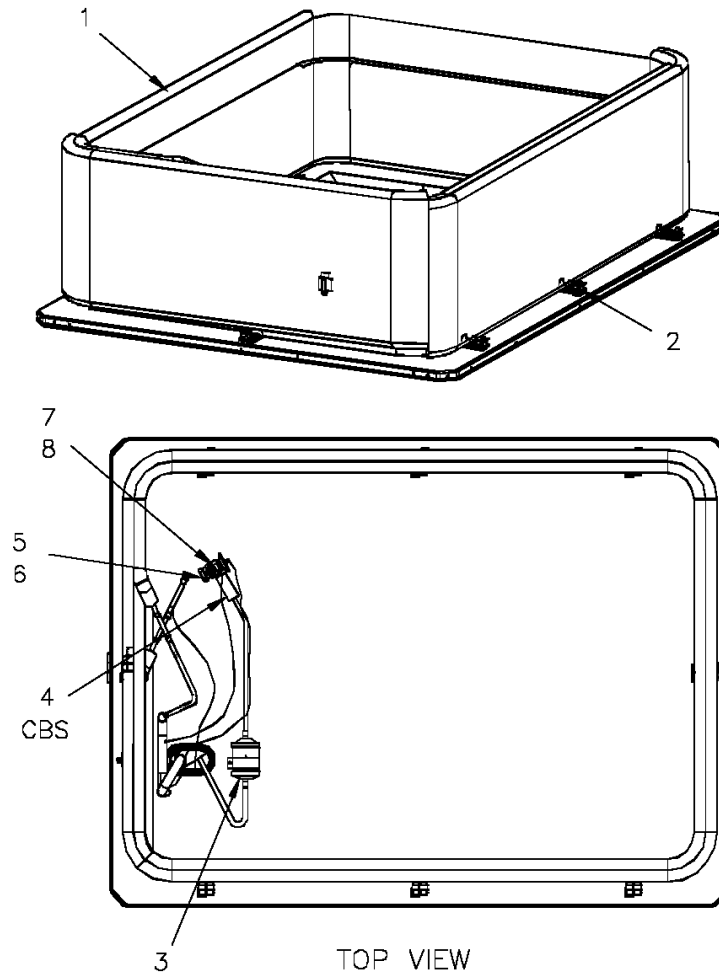


Outdoor Coil

75008354

REV
A

Typical illustration. Unit may not appear exactly as shown.



OUTDOOR COIL

Parts List Number :75008360#4WCY4UP1

Model Number :4WCY4030A1000BA

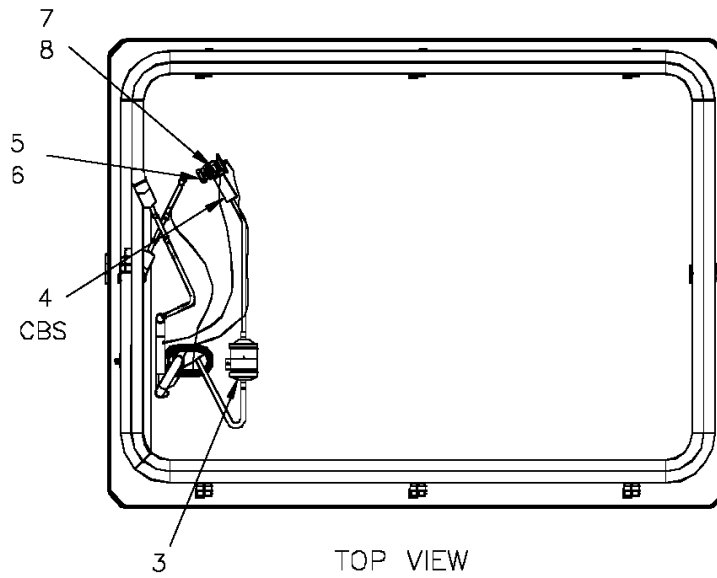
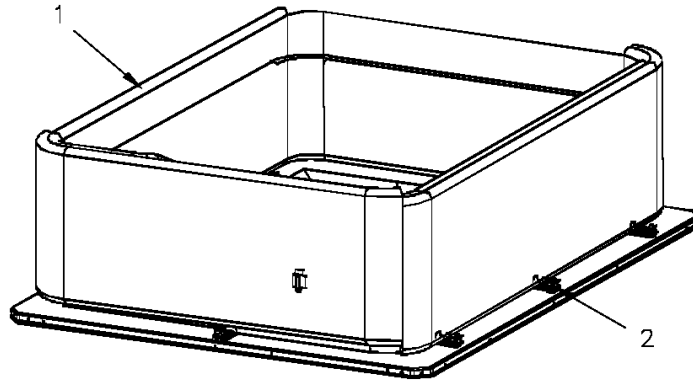
Part No.	Reference No.	Quantity	Description
75008354_4WCY4UP1_254468~ P	*		OUTDOOR COIL PARTS LIST

Outdoor Coil

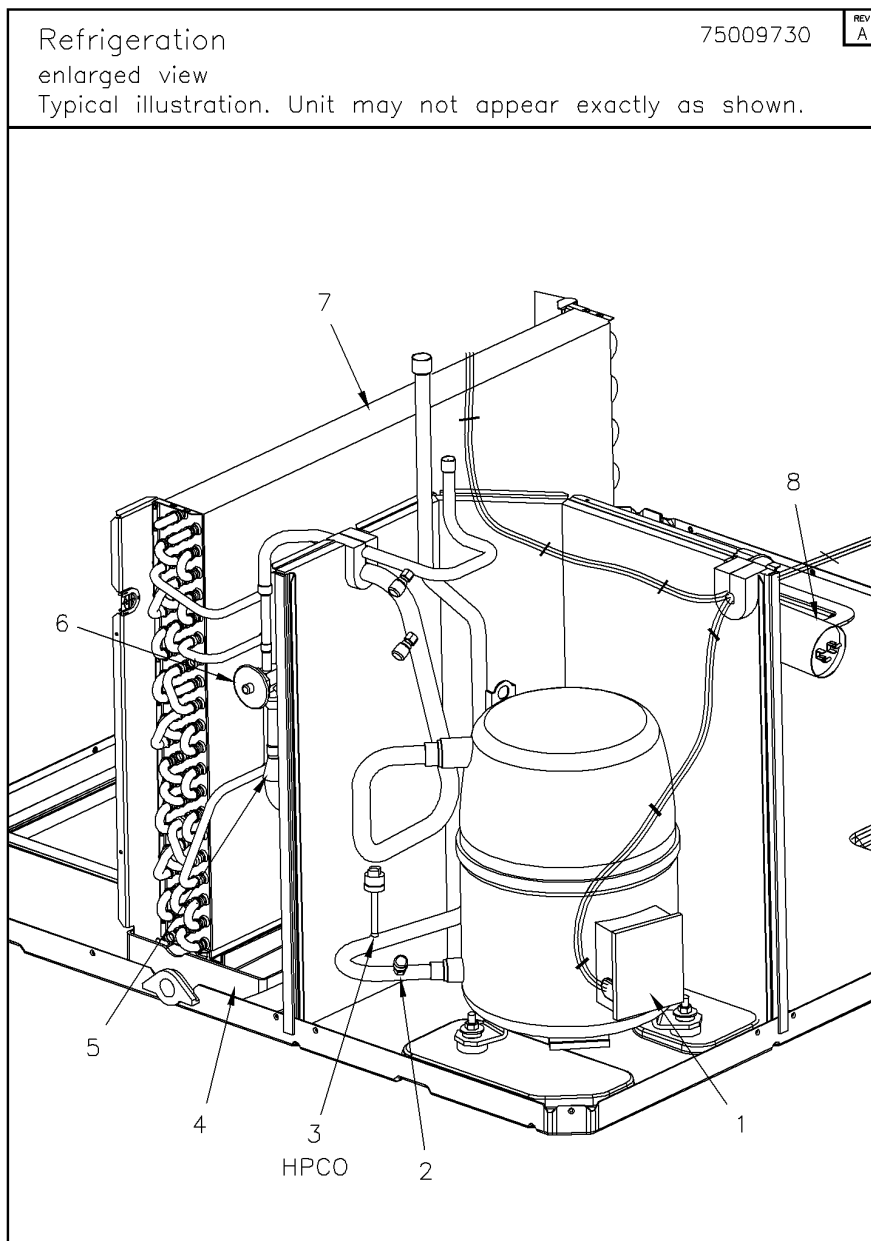
75008354

REV
A

Typical illustration. Unit may not appear exactly as shown.



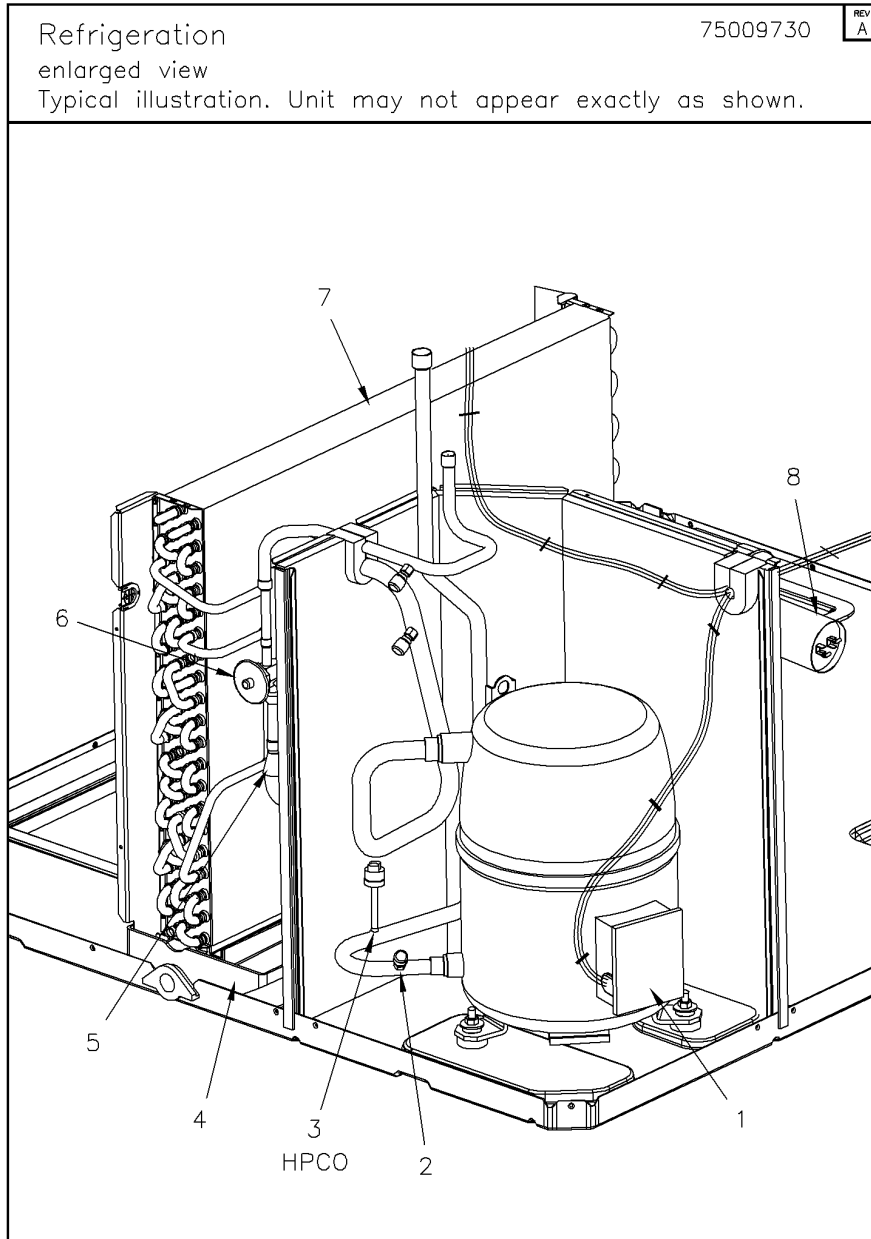
Part No.	Reference No.	Quantity	Description
COL15365	1	1	COIL; OUTDOOR, SPINE FIN
SPC00391	2	8	SPACER; OUTDOOR COIL, 2.50 X 1.31. INCLUDES GASKET.
DHY01451	3	1	DRIER; BI-FLOW; SERVICE FIRST; 8 CU. IN; DCB083S, 3/8 ODF CONNECTIONS; 2.3 TON CAPACITY; APPROVED FOR MINERAL OIL AND POE OIL REFRIGERANTS; MANUFACTUR
SEN01370	4	1	SENSOR; ASSEMBLY, 9.75 K RESISTANCE OHMS AT 75 DEG F, YELLOW WIRES, 73 IN AND 75 IN
TUB11679	5	1	TUBE; ASSEMBLY, OUTDOOR, FLOW CONTROL, R410A
VAL08700	6	1	VALVE; EXPANSION, 2 TON, 3/8" INLET X 1/2" OUTLET, 95/91 PSIG, R410A
TUB11687	7	1	TUBE; ASSEMBLY, OUTDOOR DISTRIBUTOR
DST00896	8	1	DISTRIBUTOR; 6 OUTLETS, 19 ODS, .50 ODM INLET, BRASS



Parts List Number :75008360#4WCY4UP1

Model Number :4WCY4030A1000BA

Part No.	Reference No.	Quantity	Description
75009730_4WCY4UP1_254469~ P	*		ENLARGED VIEW PARTS LIST



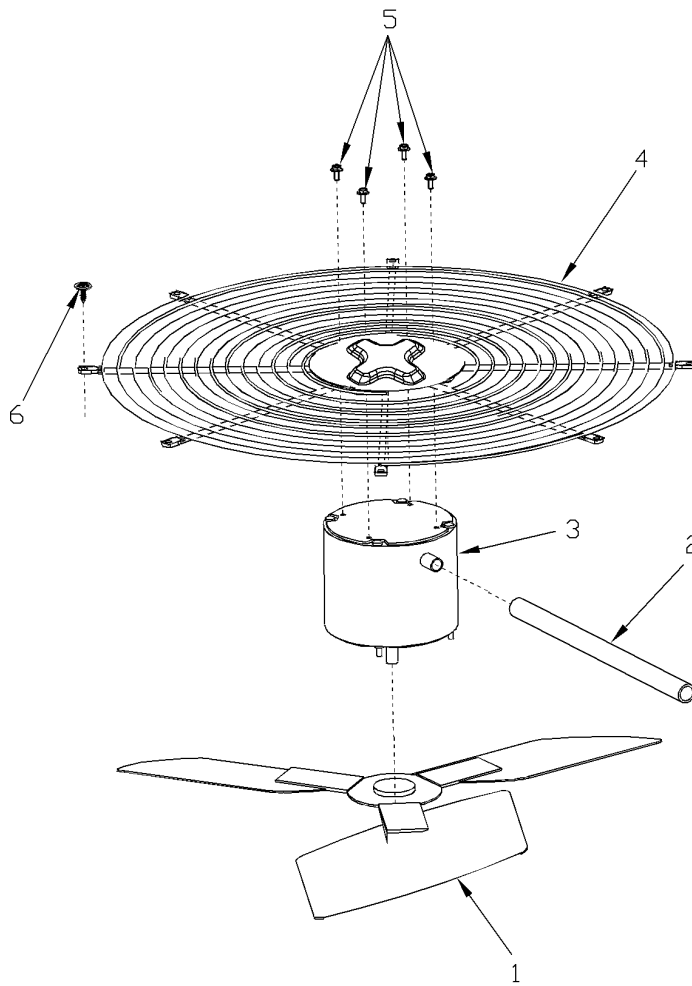
Part No.	Reference No.	Quantity	Description
BLT00809	*	3	BOLT; CARRIAGE, 5/16-18 X 1-3/4
BOD00114	*	3	BODY; VALVE, BRASS, 7/16 HEX, 7/16 -20 UNF-2A
GKT01820	*	3	GASKET; 3/4 OD X 7/16 ID X .06 THK
MNT00479	*	3	MOUNT; VIBRATION ISOLATOR, COMPRESSOR
NUT00355	*	3	NUT; HEX, LOCK, 5/16IN.-18
NUT00668	*	3	NUT; PALLET
SWT03693	*	1	SWITCH, LOW PRESSURE, OPEN @ 25 PSIG, CLOSE @ 45 PSIG, 69" LEADS
VAL08882	*	1	VALVE; SWITCHOVER, 4 TON (INCLUDES SOLENOID COIL)
WAS00638	*	3	WASHER; FLAT, 5/16 INCH
WIR04497	*	1	WIRE; HARNESS, RECIP COMPRESSOR
COM10348	1	1	COMPRESSOR; RECIP, DP24A-AA1-JB, 2.0 TON, 200-230/60/1, R410A, BRAZED-STUB TUBE
CAP00455	2	3	CAP; HUB, 7/16-20 STRAIGHT
COR00103	2	3	CORE; VALVE, .79 LENGTH, .206-36 UNS-1 MOD. THD
SWT03698	3	1	SWITCH; HIGH PRESSURE, SPST, OPEN @ 650 PSIG, CLOSE @ 500 PSIG, 74" LEADS
PAN02888	4	1	PAN; DRAIN, BLACK PVC, 29.58 X 7.75
DST00895	5	1	DISTRIBUTOR; 5 OUTLETS, 19 ODS, .50 ODM INLET, BRASS
TUB11685	5	1	TUBE; ASSEMBLY, INDOOR DISTRIBUTOR
TUB11669	6	1	TUBE; ASSEMBLY, INDOOR FLOW CONTROL, R410A
VAL08701	6	1	VALVE; EXPANSION, 3 TON, 3/8 INLET X 1/2 OUTLET, 92/88 PSIG, R410A
COL15199	7	1	COIL; INDOOR, FLAT FIN
CPT00668	8	1	CAPACITOR; DUAL, 440V, 40/5 MFD, ROUND, W/O RESISTOR

FAN

75005599

REV
A

Typical Illustration. Unit may not appear exactly as shown.



Parts List Number :75008360#4WCY4UP1

Model Number :4WCY4030A1000BA

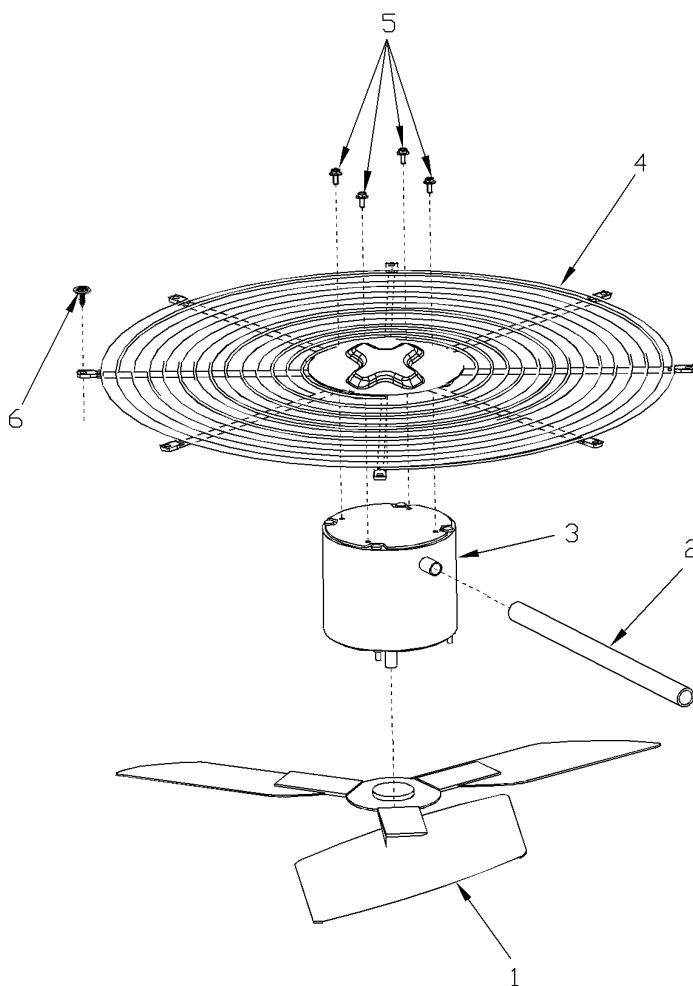
Part No.	Reference No.	Quantity	Description
75005599_4WCY4UP1_254467~ P	*		FAN PARTS LIST

FAN

75005599

REV
A

Typical Illustration. Unit may not appear exactly as shown.



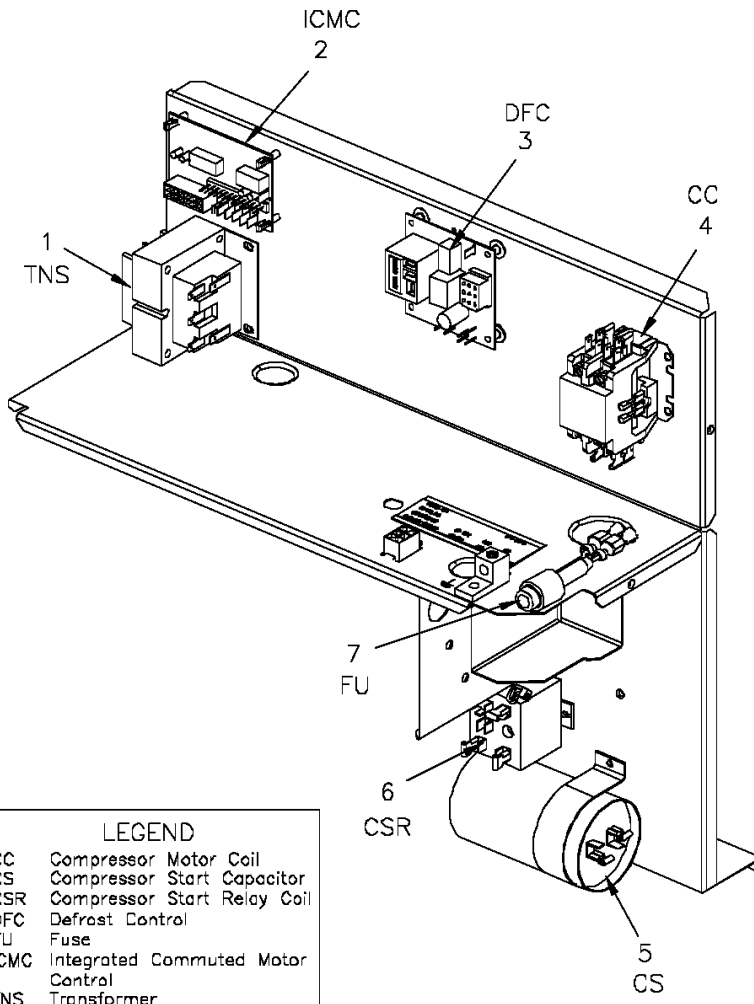
Part No.	Reference No.	Quantity	Description
FAN03983	1	1	FAN; SWEPT BLADE, 2 BLADE, ALUMINUM, 23.4 IN DIA, 30 DEGREES PITCH, .50 IN BORE, CCW, 1 SET SCREW-STEEL
GRD01663	2	1	GUARD; FAN, 24 IN.(WITH LONG HOOKS FOR MOTOR MOUNTING)
MOT13827	3	1	MOTOR; OUTDOOR, 1/6 HP, 200-230/60/1, 830 RPM, TYPE PSC, CCW, SLEEVE BEARINGS, 5 MFD CPT AT 370V
GRL01529	4	1	GRILL; OUTDOOR FAN, 26.0 IN MOUNTING DIA
SCR02086	5	4	SCREW; 10-32 TR-3 HXW 3/8 S

Controls

75008580

REV
A

Typical illustration. Unit may not appear exactly as shown.



LEGEND	
CC	Compressor Motor Coil
CS	Compressor Start Capacitor
CSR	Compressor Start Relay Coil
DFC	Defrost Control
FU	Fuse
ICMC	Integrated Commuted Motor Control
TNS	Transformer

Parts List Number :75008360#4WCY4UP1

Model Number :4WCY4030A1000BA

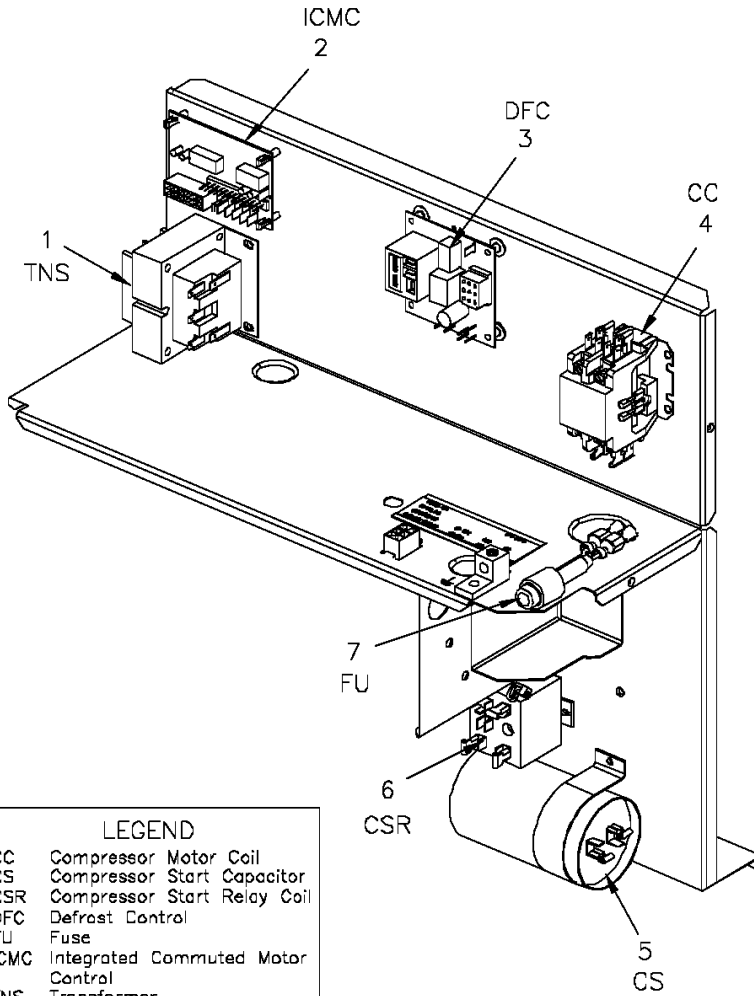
Part No.	Reference No.	Quantity	Description
75008580_4WCY4UP1_254470~ P	*		CONTROLS PARTS LIST

Controls

75008580

REV
A

Typical illustration. Unit may not appear exactly as shown.



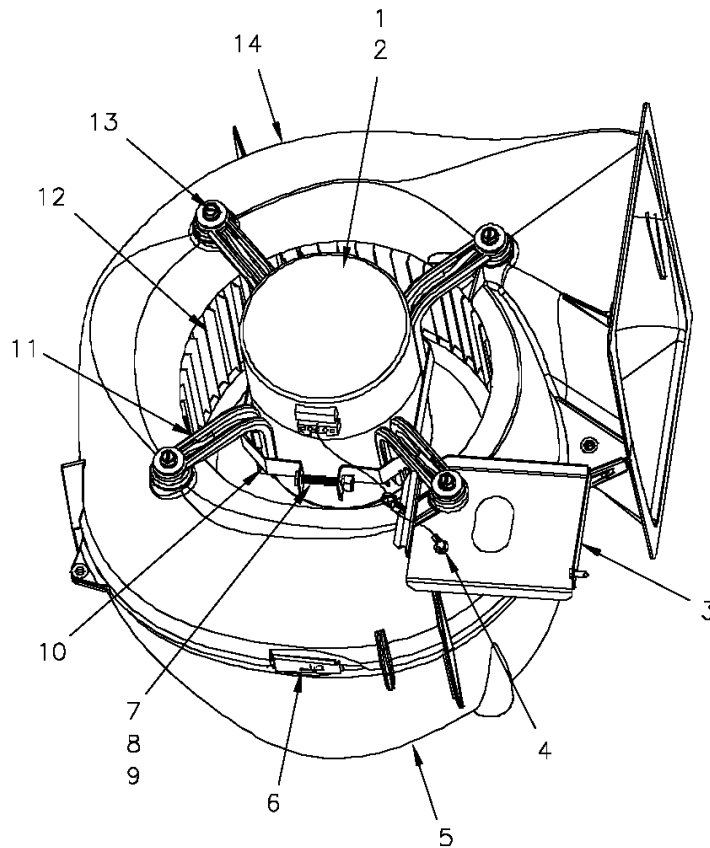
Part No.	Reference No.	Quantity	Description
LUG00014	*	1	LUG, GROUND
SEN01510	*	1	SENSOR; ASSEMBLY-AMBIENT, 83/85 IN LENGTH WIRES
WIR04492	*	1	WIRE; HARNESS, START KIT
TRR01558	1	1	TRANSFORMER; 75VA, 200/230V PRI, 24V SEC, QUICK CONNECTS
CNT03600	2	1	CONTROL; ICM FAN, PWB, 16 PIN
CNT04695	3	1	CONTROL; DEFROST (USE ON FT. SMITH PRODUCTS ONLY)
CTR01333	4	1	CONTACTOR; 2 POLE, NO, 40 FLA AT 240V, 50/60 HZ, 50 RES AMPS, 24V COIL, 40 FLA AT 277/480/600V
CPT00091	5	1	CAPACITOR; START, 135-155 MFD, 330V, ROUND, W/ RESISTOR
RLY01869	6	1	RELAY; START, SPST, 50A COIL: 239V PICK UP, 135V DROP OUT
FUS01776	7	1	FUSE; 3.2 AMP, WITH HOLDER AND QUICK CONNECTS

Blower

75008694

REV
A

Typical illustration. Unit may not appear exactly as shown.



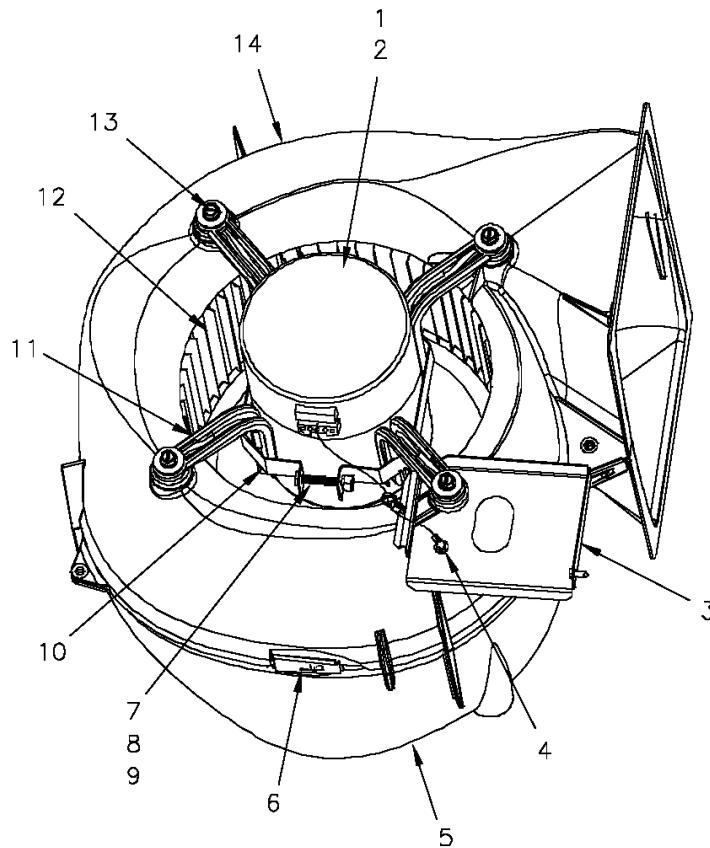
Part No.	Reference No.	Quantity	Description
75008694_4WCY4UP1_254471~ P	*		BLOWER PARTS LIST

Blower

75008694

REV
A

Typical illustration. Unit may not appear exactly as shown.



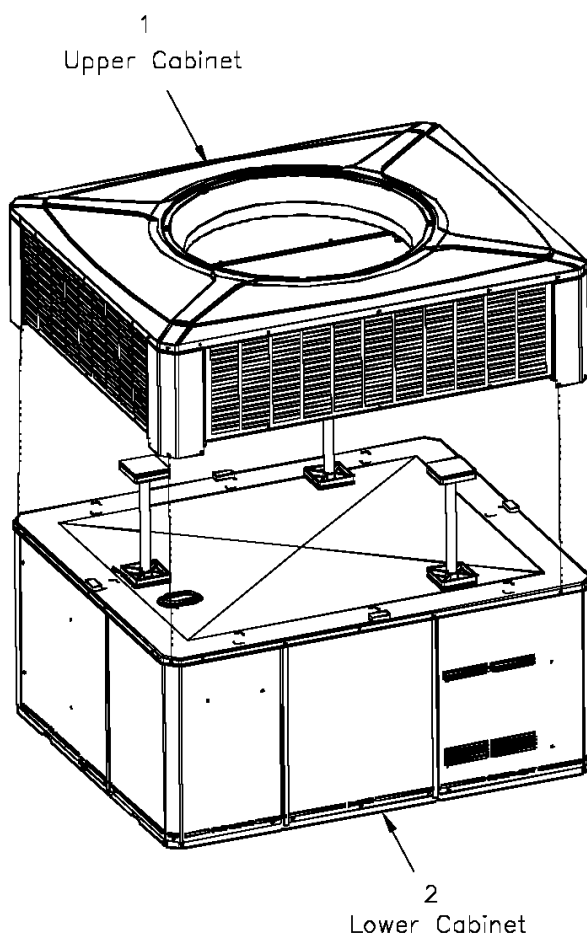
Part No.	Reference No.	Quantity	Description
BLW01072	*	1	BLOWER; ASSEMBLY, COMPLETE
MOT12987	1	1	MOTOR; ECM VS MOTOR MODULE SET; 1/2 HP; 115/230 VOLTAGE; PROGRAMMED
MOD01660	2	1	MODULE; ELECTRONIC MOTOR CONTROL, VARIABLE SPEED PROGRAMMED
BRK03542	3	1	BRACKET; BLOWER RETAINER, 4.32 X 3.45
SCR00998	4	1	SCREW; 10-16 B HXW 1/2 S
HUS03804	5	1	HOUSING; BLOWER LEFT SIDE WITH 4 MOUNTING HOLES, MOLDED GLASS FIBER POLYESTER, COLOR: NATURAL
CLP01088	6	4	CLIP; CLEAT-BLOWER
SCR01584	7	1	BOLT; 1/4-20 MA HX 1.5 S
NUT00487	8	1	NUT; STEEL HEX, 1/4-20
WAS00646	9	1	WASHER; STEEL SPRING LOCK, 1/4 INCH
BND00026	10	1	BAND; MOTOR MOUNT
BRK03396	11	4	BRACKET; ARM-MOTOR
WHL02558	12	1	WHEEL; BLOWER, 48 BLADES, CCW, CONCAVE DISC, 10.62 X 10.68
SCR02112	13	4	SCREW; ASSEMBLY-MOTOR MOUNT
HUS03805	14	1	HOUSING; BLOWER RIGHT SIDE WITHOUT MOUNTING HOLES, MOLDED GLASS FIBER POLYESTER, COLOR: NATURAL

Cabinet

75008359

REV
A

Typical illustration. Unit may not appear exactly as shown.



View is determined by facing Appearance Nameplate

Parts List Number :75008360#4WCY4UP1

Model Number :4WCY4030A1000BA

Part No.	Reference No.	Quantity	Description
75008359_4WCY4UP1_149545~ P	*		CABINET PARTS LIST
75008380#4WCY4UP1~S	*		LOWER CABINET
75008381#4WCY4UP1~S	*		UPPER CABINET

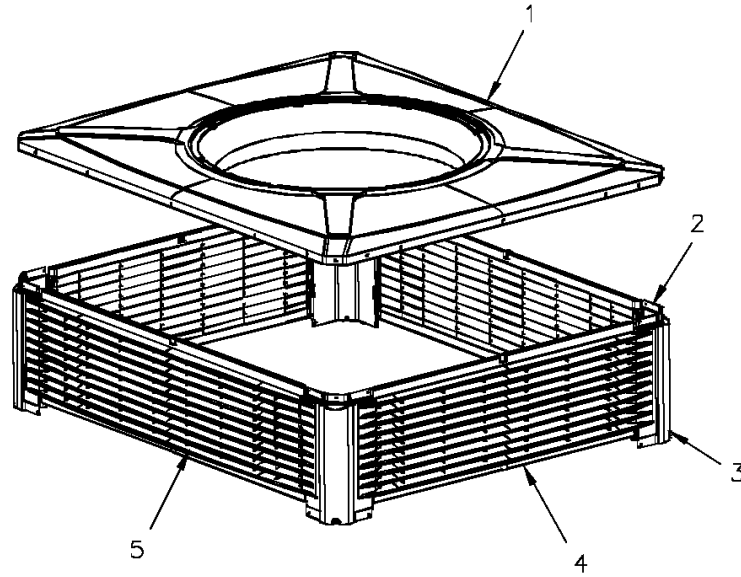
Cabinet

75008361

REV
A

upper

Typical illustration. Unit may not appear exactly as shown.



Parts List Number :75008360#4WCY4UP1

Model Number :4WCY4030A1000BA

Part No.	Reference No.	Quantity	Description
75008381_4WCY4UP1_200758~ P	*		UPPER CABINET PARTS LIST

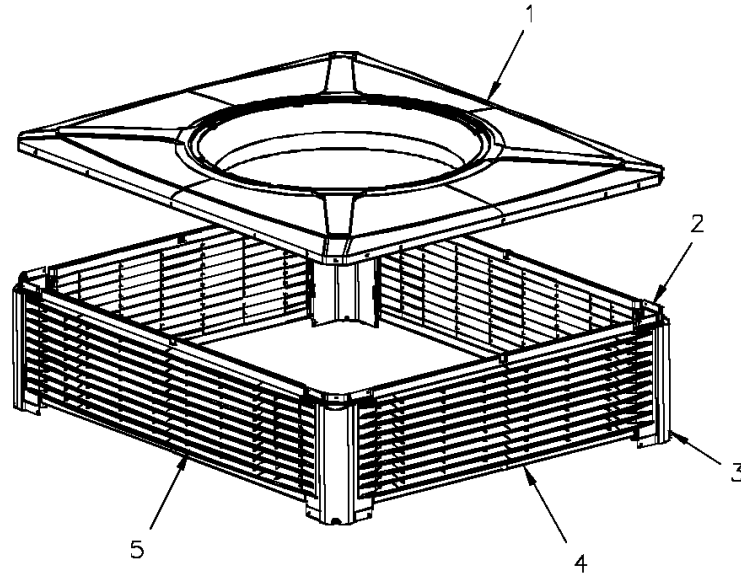
Cabinet

75008361

REV
A

upper

Typical illustration. Unit may not appear exactly as shown.



Part No.	Reference No.	Quantity	Description
BRK03610	*	16	BRACKET; PLASTIC LOUVER, 2.0 X .63 X .53
NUT00640	*	12	NUT, SPEED
SCR01510	*	24	SCREW; 10-16 AB HXW 1/2 SN
SUP05014	*	3	SUPPORT; OD COIL, BOTTOM, 4X4, INCLUDES GASKET
SUP05015	*	3	SUPPORT; OD COIL, TOP, 4X4, INCLUDES GASKET
TUB12006	*	3	TUBE; SUPPORT, TOP PIPE, .75 DIA, SCHEDULE 40 GREY PVC, 12.46 INCHES
COV03694	1	1	COVER; OUTDOOR, TOP, 48.61 X 41.08
PNL22001	2	4	PANEL; CORNER POST, 11.84 H
PNL22189	4	2	PANEL; PLASTIC LOUVER, 43.40 X 11.40 - INCLUDES SPEED NUTS AND MOUNTING BRACKETS.
PNL22185	5	2	PANEL; PLASTIC LOUVER, 35.86 X 11.40 - INCLUDES SPEED NUTS AND MOUNTING BRACKETS.

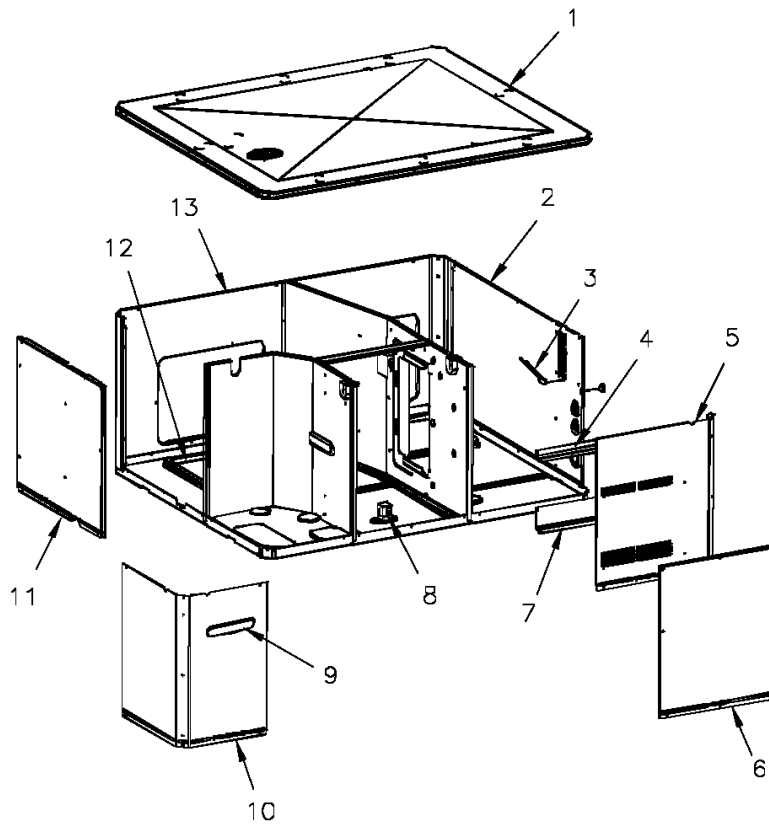
Cabinet

75008380

REV
A

lower

Typical illustration. Unit may not appear exactly as shown.



View is determined by facing Appearance Nameplate

Parts List Number :75008360#4WCY4UP1

Model Number :4WCY4030A1000BA

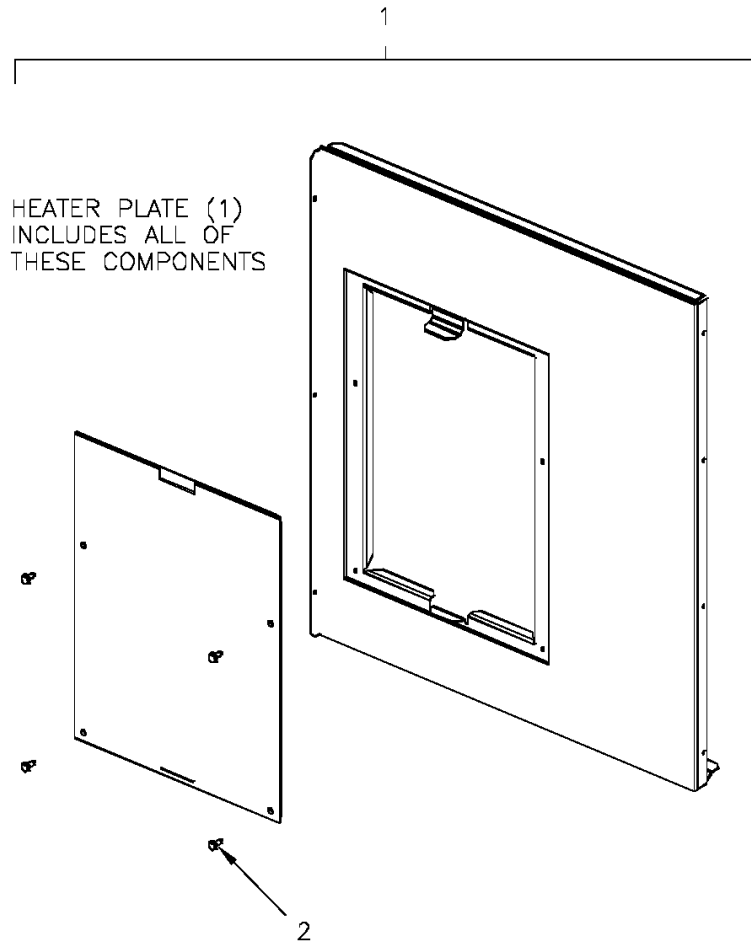
Part No.	Reference No.	Quantity	Description
75008355#4WCY4UP1~S	*		ELECTRIC HEATER PLATE
75008380_4WCY4UP1_200755~ P	*		LOWER CABINET PARTS LIST

Electric Heater Plate

75008355

REV
A

Typical illustration. Unit may not appear exactly as shown.



ELECTRIC HEATER PLATE

Parts List Number :75008360#4WCY4UP1

Model Number :4WCY4030A1000BA

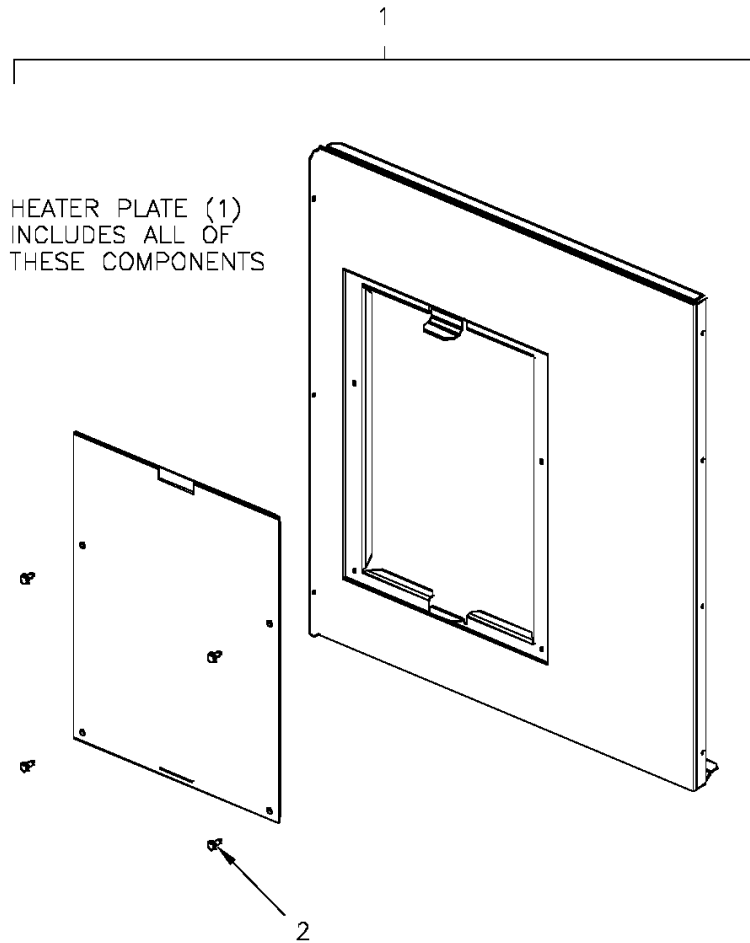
Part No.	Reference No.	Quantity	Description
75008355_4WCY4UP1_149548~ P	*		ELECTRIC HEATER PLATE PARTS LIST

Electric Heater Plate

75008355

REV
A

Typical illustration. Unit may not appear exactly as shown.



Part No.	Reference No.	Quantity	Description
PLT04182	1	1	PLATE; ELECTRIC HEATER, 21.15 x 18.30. INCLUDES BARRIER AND PLATE
SCR01510	2	12	SCREW; 10-16 AB HXW 1/2 SN

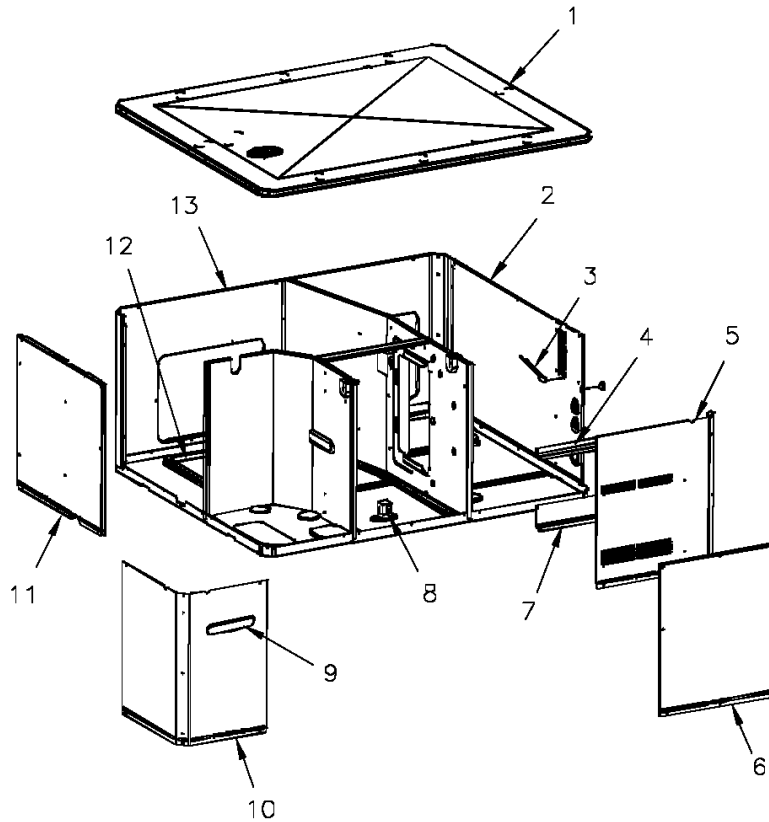
Cabinet

75008380

REV
A

lower

Typical illustration. Unit may not appear exactly as shown.



View is determined by facing Appearance Nameplate

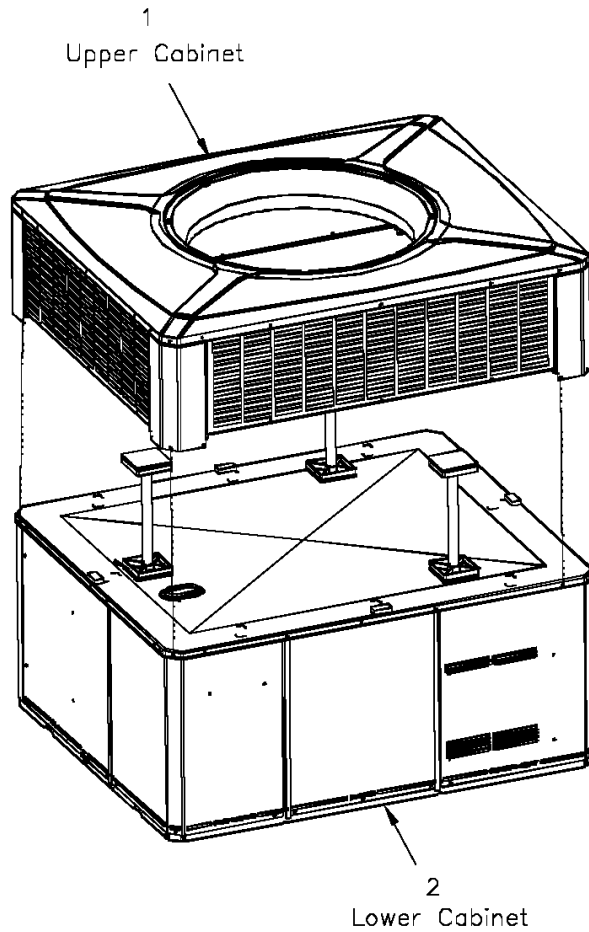
Part No.	Reference No.	Quantity	Description
BAF01378	*	1	BAFFLE; AIR, 16.00 X 8.50
GRM00118	*	1	GROMMET; 3/16 IN ID, NEOPRENE
PNL26584	*	1	PANEL; BLOWER BARRIER, 41.05 X 21.15
PNL28755	*	1	PANEL; COMPRESSOR BARRIER, 27.22 W X 21.15 H
COV03696	1	1	COVER; INDOOR, TOP, 48.61 X 41.08
PNL22036	2	1	PANEL; ELECTRIC HEAT ACCESS, 35.49 X 20.91
SHD00397	3	1	SHIELD; LOUVER, TOP, 5.0 X 1.9
SHD00396	4	1	SHIELD; LOUVER, CONTROL ACCESS PANEL, 12.95 X 1.50
PNL22041	5	1	PANEL; CONTROL/HEAT ACCESS, 17.93 X 20.70
PNL22013	6	1	PANEL; BLOWER ACCESS, 17.63 X 20.70
SHD00395	7	1	SHIELD; LOUVER, CONTROL ACCESS PANEL, 12.95 X 3.40
BRK03541	8	1	BRACKET; BLOWER SUPPORT, V-SHAPED, 3.13 X 2.75 X 1.50
PLT04289	9	1	PLATE; APPEARANCE, TRANE, XL14C, 9.0 X 1.8
PNL21998	10	1	PANEL; COMPRESSOR ACCESS, 20.7 X 12.7 & 20.7 X 15.5
PNL22039	11	1	PANEL; INDOOR COIL ACCESS, 22.42 X 20.70
COV03698	12	2	COVER; SUPPLY AND RETURN, 15.88 X 11.88
PNL22197	13	1	PANEL; SUPPLY AND RETURN, 48.41 X 20.88

Cabinet

75008359

REV
A

Typical illustration. Unit may not appear exactly as shown.



View is determined by facing Appearance Nameplate

Parts List Number :75008360#4WCY4UP1

Model Number :4WCY4030A1000BA

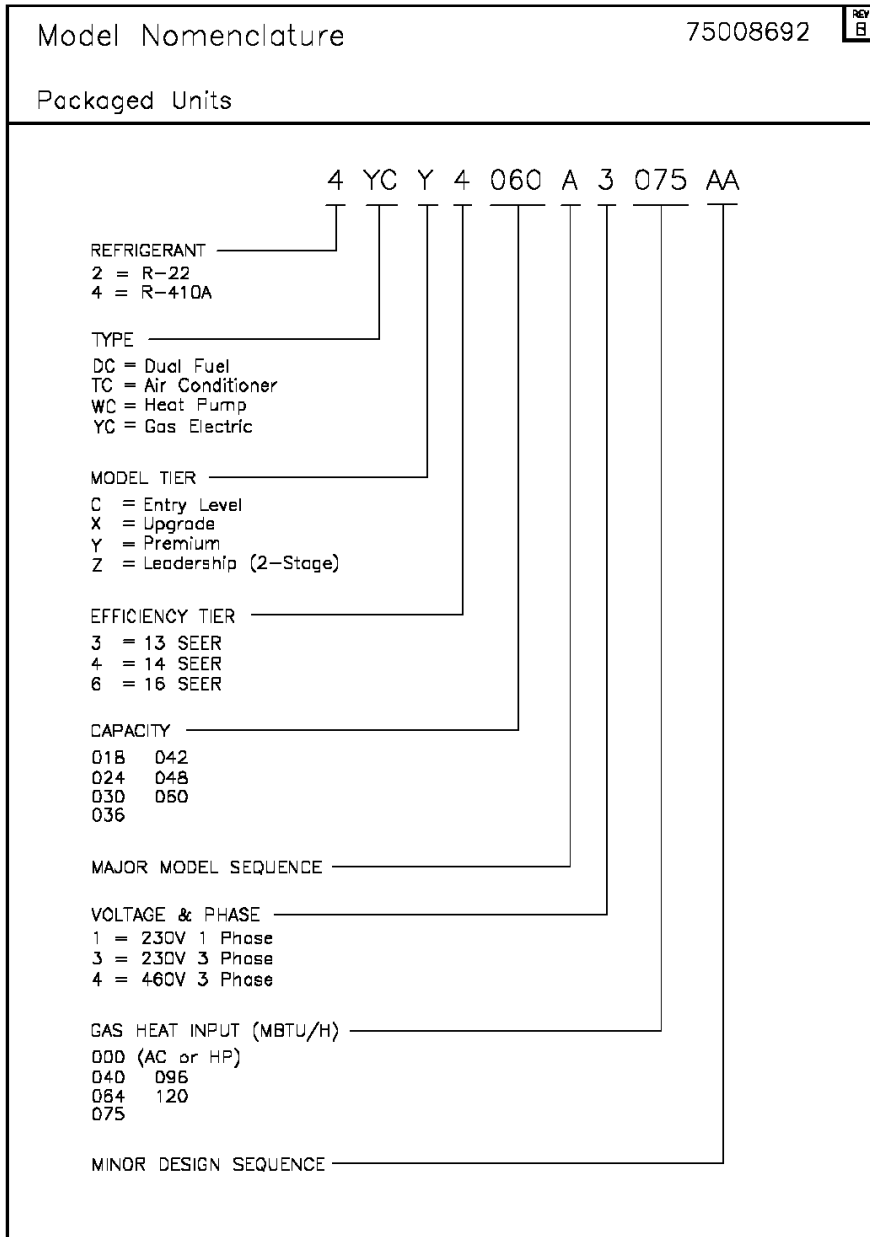
Part No.	Reference No.	Quantity	Description
PAI00074	*	1	PAINT; SPRAY, SLATE GREY, FULL GLOSS(88) (SHIPPING UOM 12 OZ HAZ)

MODEL NOMENCLATURE

Parts List Number :75008360#4WCY4UP1

Model Number :4WCY4030A1000BA

Part No.	Reference No.	Quantity	Description
75008692_4WCY4UP1_149551~ P	*		MODEL NOMENCLATURE PARTS LIST



Parts List Number :75008360#4WCY4UP1

Model Number :4WCY4030A1000BA

Part No.	Reference No.	Quantity	Description
NGRAPHIC_4WCY4UP1_254473 ~P	*		OPTIONAL FIELD INSTALLED ACCESSORIES PARTS LIST

NO GRAPHIC AVAILABLE

75013702

REV
A

**NO
GRAPHIC
AVAILABLE**

Parts List Number :75008360#4WCY4UP1

Model Number :4WCY4030A1000BA

Part No.	Reference No.	Quantity	Description
BAYUV101A	*	1	25 WATT UV LIGHT KIT FOR SMALL PACKAGED UNITS
ECN00111	*	1	ECONOMIZER; DOWN DISCHARGE, AND RAIN HOOD (BAYECON101AA)
ECN00113	*	1	ECONOMIZER; HORIZONTAL (BAYECON200AA)
HTR08651	*	1	HEATER; ELECTRIC, 3.76/5.0 KW, 208/240/1 (BAYHTRV105EA)
HTR08652	*	1	HEATER; ELECTRIC, 6.0/8.0 KW, 208/240/1 (BAYHTRV108EA)
HTR08653	*	1	HEATER; ELECTRIC, 7.51/10.0 KW, 208/240/1 (BAYHTRV110EA)
HTR08654	*	1	HEATER; ELECTRIC, 11.27/15.0 KW, 208/240/1 (BAYHTRV115EA)
KIT03361	*	1	KIT; LIFTING LUGS-BAYLIFT002B (CTN = 6 PIECES)
KIT06658	*	1	KIT; ENTHALPY CONTROL (BAYENTH001AB)
KIT13551	*	1	KIT; CURB ADAPTER (BAYADAP050AA)
KIT13552	*	1	KIT; CURB ADAPTER (BAYADAP051AA)
KIT13556	*	1	KIT; CRANKCASE HEATER, 230V RECIP COMPRESSORS (BAYCCHT101AA)
KIT13559	*	1	KIT; 12 INCH DUCT SHROUD COVERS HORIZONTAL (BAYCOVR112AA)
KIT13560	*	1	KIT; 18 INCH DUCT SHROUD COVERS HORIZONTAL (BAYCOVR118AA)
KIT13561	*	1	KIT; FULL PERIMETER ROOF MOUNTING CURB (BAYCURB050AA)
KIT13563	*	1	KIT; OUTSIDE AIR, 2 POS DAMPER (BAYDMPR101AA)
KIT13565	*	1	KIT; EXTREME CURB MOUNTING (BAYEXMK001AA)
KIT13567	*	1	KIT; EXTREME CURB MOUNTING (BAYEXMK003AA)
KIT13571	*	1	KIT; OUTSIDE AIR, MANUAL DAMPER (BAYOSAH001AA)
KIT13573	*	1	KIT; QUICK START (BAYQSTK300AA)
KIT13575	*	1	KIT; SQUARE/ROUND DUCT ADAPTER (BAYSQRD001AA)
KIT13640	*	1	KIT; LOW AMBIENT COOLING, HEAD PRESSURE CONTROL (BAYLOAM105AA)
KIT15096	*	1	KIT; FILTER FRAME (BAYFLTR101BA). USE ONE 20 X 25 FILTER - NOT INCLUDED.
KIT15141	*	1	KIT; ACCESS DOOR, 1-1/2 TO 3 TON MODELS (BAYACCDOR1AA)
KIT15323	*	1	KIT; EXTREME CURB MOUNTING (BAYEXMK002BA)
KIT15325	*	1	KIT; SQUARE/ROUND DUCT ADAPTER (BAYUTIL101BA)
KIT15403	*	1	KIT; ECONOMIZER, HINGED FILTER ACCESS DOOR AND FILTER FRAME (BAYECONCOMB101A)
KIT16161	*	1	KIT; SINGLE POWER ENTRY (BAYSPEK060F)
KIT16163	*	1	KIT; SINGLE POWER ENTRY (BAYSPEK063F)
RLY01652	*	1	RELAY; KIT (BAYRLAY004AA)
TMR00140	*	1	TIMER; ANTISHORT CYCLE (BAYASCT001)