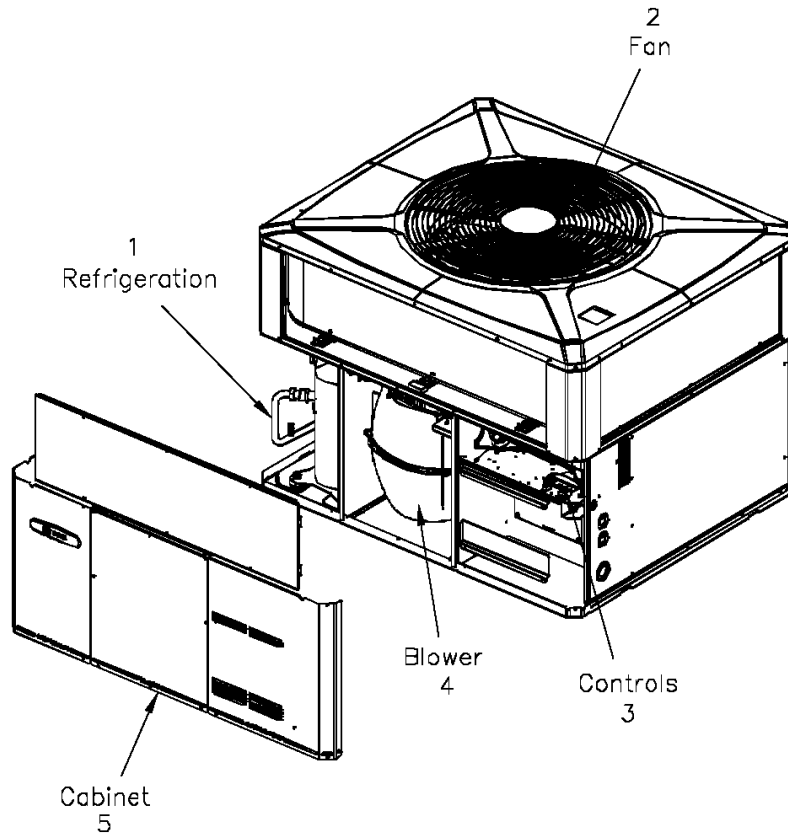


General Assembly

75008360

REV
A

Typical illustration. Unit may not appear exactly as shown.



View is determined by facing Appearance Nameplate

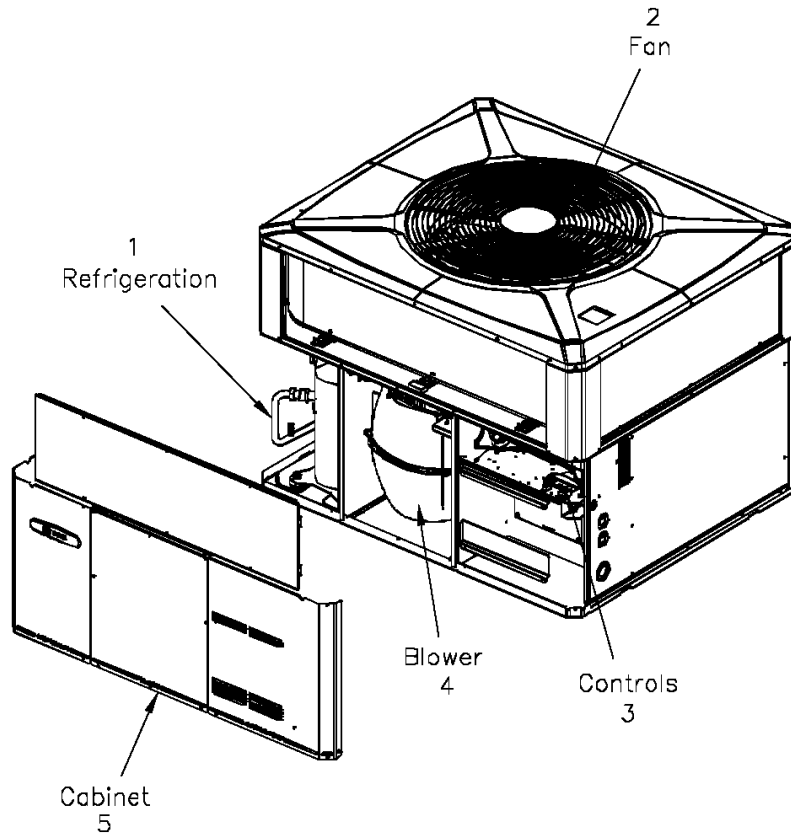
Part No.	Reference No.	Quantity	Description
75008351#4WCX3UP1~S	*		BLOWER
75008359#4WCX3UP1~S	*		CABINET
75008378#4WCX3UP1~S	*		CONTROLS
75005599#4WCX3UP1~S	*		FAN
75008360_4WCX3UP1_196133~ P	*		GENERAL ASSEMBLY PARTS LIST
75008692#4WCX3UP1~S	*		MODEL NOMENCLATURE
NGRAPHIC#4WCX3UP1~S	*		OPTIONAL FIELD INSTALLED ACCESSORIES
75008353#4WCX3UP1~S	*		REFRIGERATION

General Assembly

75008360

REV
A

Typical illustration. Unit may not appear exactly as shown.



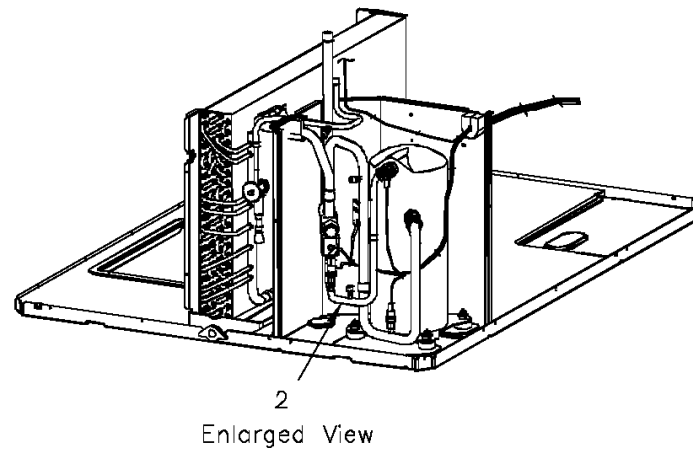
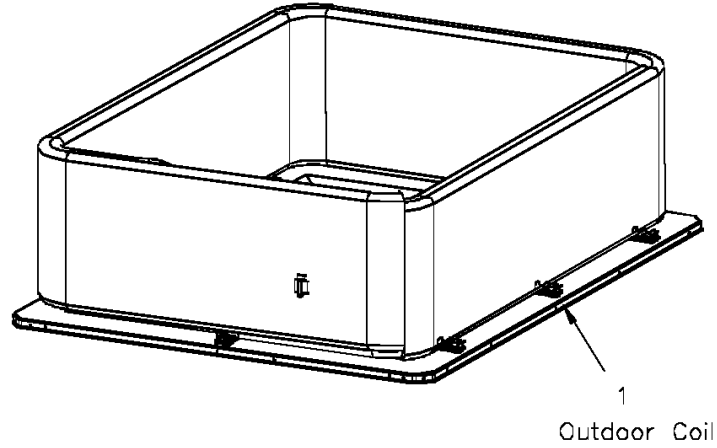
View is determined by facing Appearance Nameplate

Refrigeration

75008353

REV
A

Typical illustration. Unit may not appear exactly as shown.



REFRIGERATION

Parts List Number :75008360#4WCX3UP1

Model Number :4WCX3036A1000BA

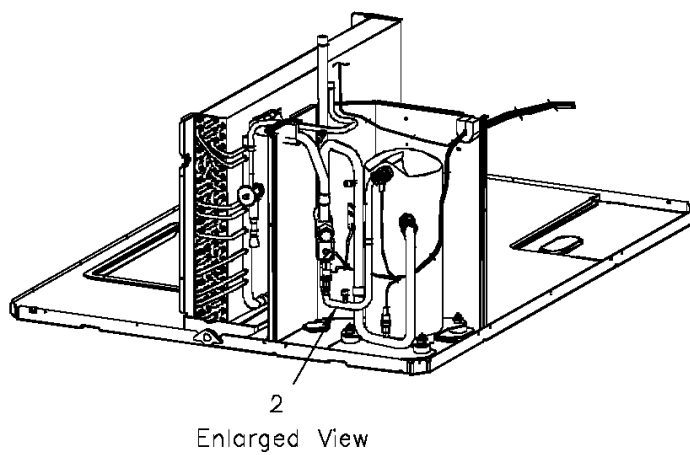
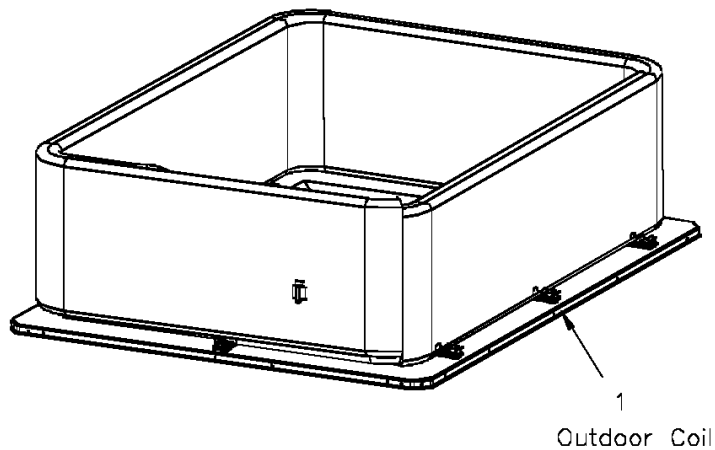
Part No.	Reference No.	Quantity	Description
75009976#4WCX3UP1~S	*		ENLARGED VIEW
75008354#4WCX3UP1~S	*		OUTDOOR COIL
75008353_4WCX3UP1_196140~ P	*		REFRIGERATION PARTS LIST

Refrigeration

75008353

REV
A

Typical illustration. Unit may not appear exactly as shown.

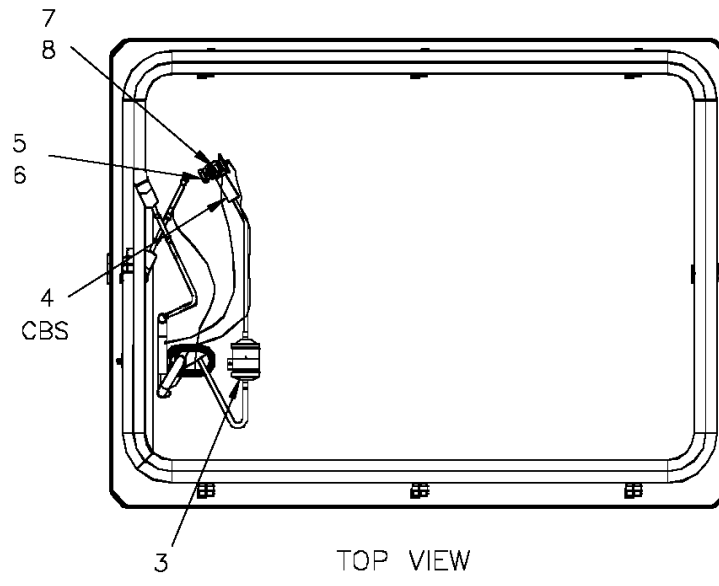
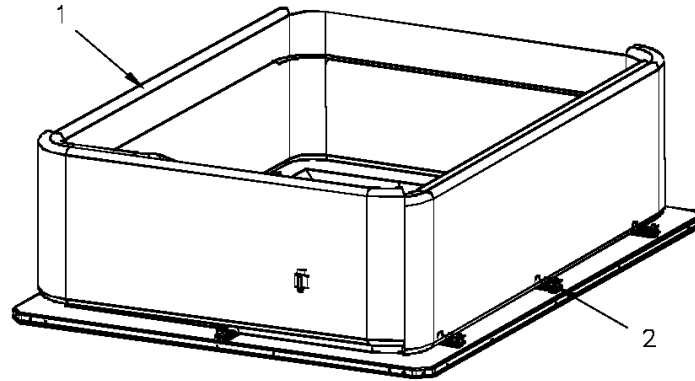


Outdoor Coil

75008354

REV
A

Typical illustration. Unit may not appear exactly as shown.



OUTDOOR COIL

Parts List Number :75008360#4WCX3UP1

Model Number :4WCX3036A1000BA

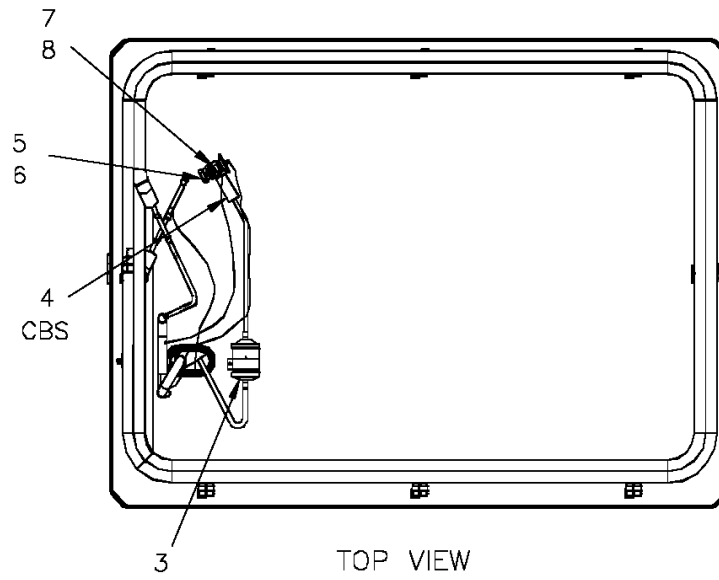
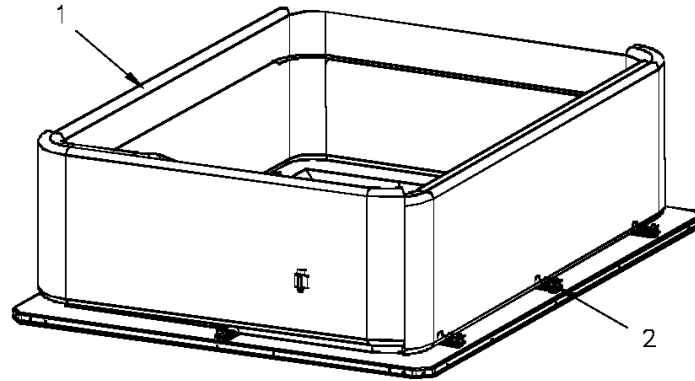
Part No.	Reference No.	Quantity	Description
75008354_4WCX3UP1_283239~ P	*		OUTDOOR COIL PARTS LIST

Outdoor Coil

75008354

REV
A

Typical illustration. Unit may not appear exactly as shown.



Part No.	Reference No.	Quantity	Description
COL19269	1	1	COIL; OUTDOOR, SPINE FIN
SPC00391	2	8	SPACER; OUTDOOR COIL, 2.50 X 1.31. INCLUDES GASKET.
DHY01451	3	1	DRIER; BI-FLOW; SERVICE FIRST; 8 CU. IN; DCB083S, 3/8 ODF CONNECTIONS; 2.3 TON CAPACITY; APPROVED FOR MINERAL OIL AND POE OIL REFRIGERANTS; MANUFACTUR
SEN01370	4	1	SENSOR; ASSEMBLY, 9.75 K RESISTANCE OHMS AT 75 DEG F, YELLOW WIRES, 73 IN AND 75 IN
TUB11679	5	1	TUBE; ASSEMBLY, OUTDOOR, FLOW CONTROL, R410A
VAL08700	6	1	VALVE; EXPANSION, 2 TON, 3/8" INLET X 1/2" OUTLET, 95/91 PSIG, R410A
TUB11687	7	1	TUBE; ASSEMBLY, OUTDOOR DISTRIBUTOR
DST00896	8	1	DISTRIBUTOR; 6 OUTLETS, 19 ODS, .50 ODM INLET, BRASS

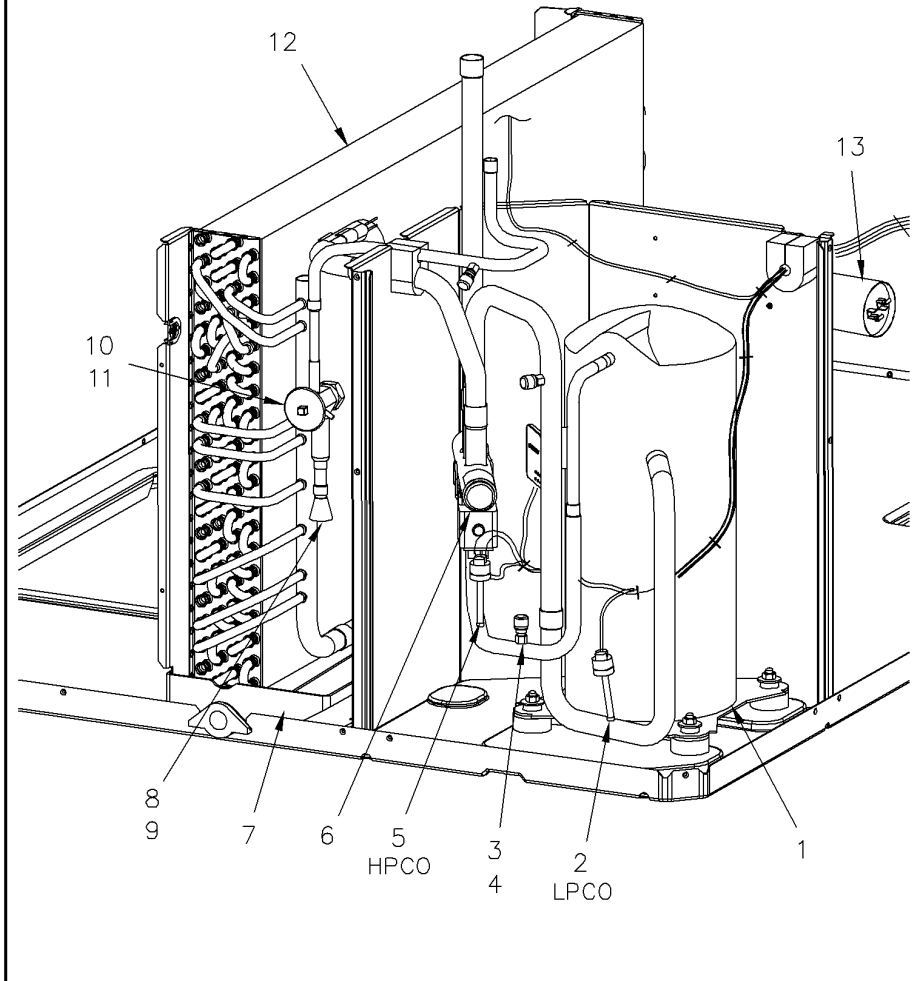
Refrigeration

75009976

REV
A

enlarged view

Typical illustration. Unit may not appear exactly as shown.



Parts List Number :75008360#4WCX3UP1

Model Number :4WCX3036A1000BA

Part No.	Reference No.	Quantity	Description
75009976_4WCX3UP1_351173~ P	*		ENLARGED VIEW PARTS LIST

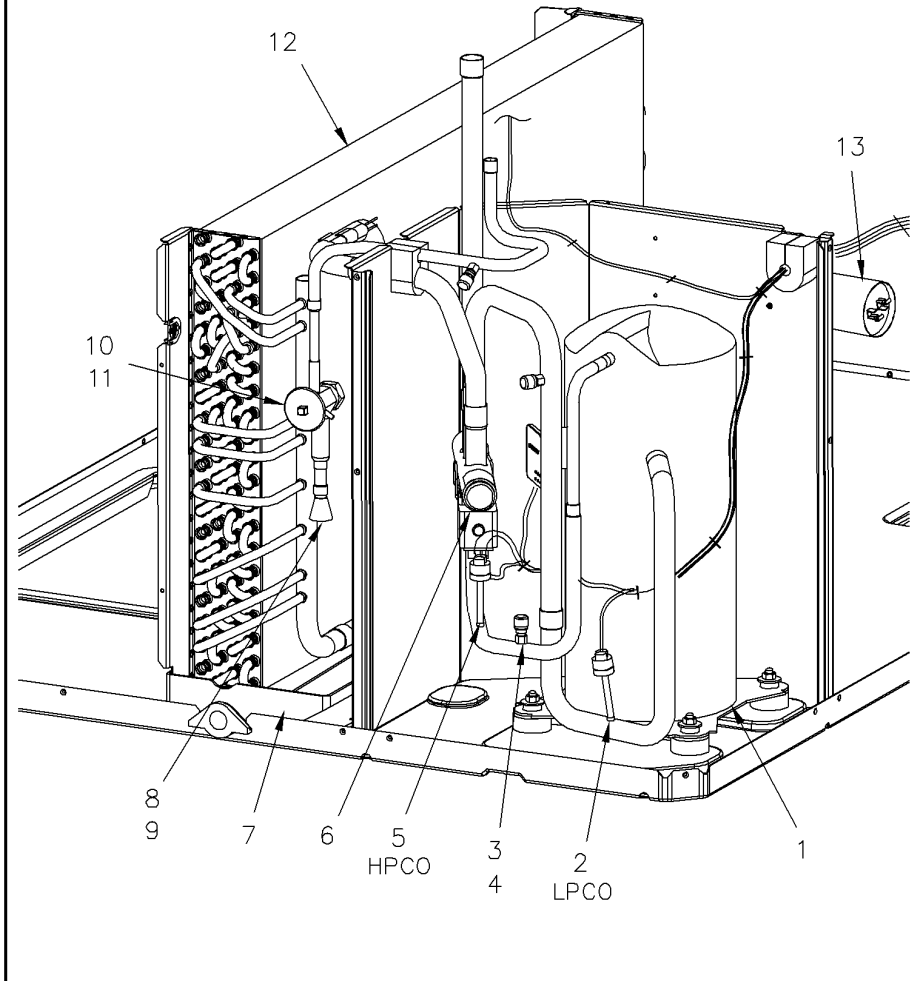
Refrigeration

75009976

REV
A

enlarged view

Typical illustration. Unit may not appear exactly as shown.



Parts List Number :75008360#4WCX3UP1

Model Number :4WCX3036A1000BA

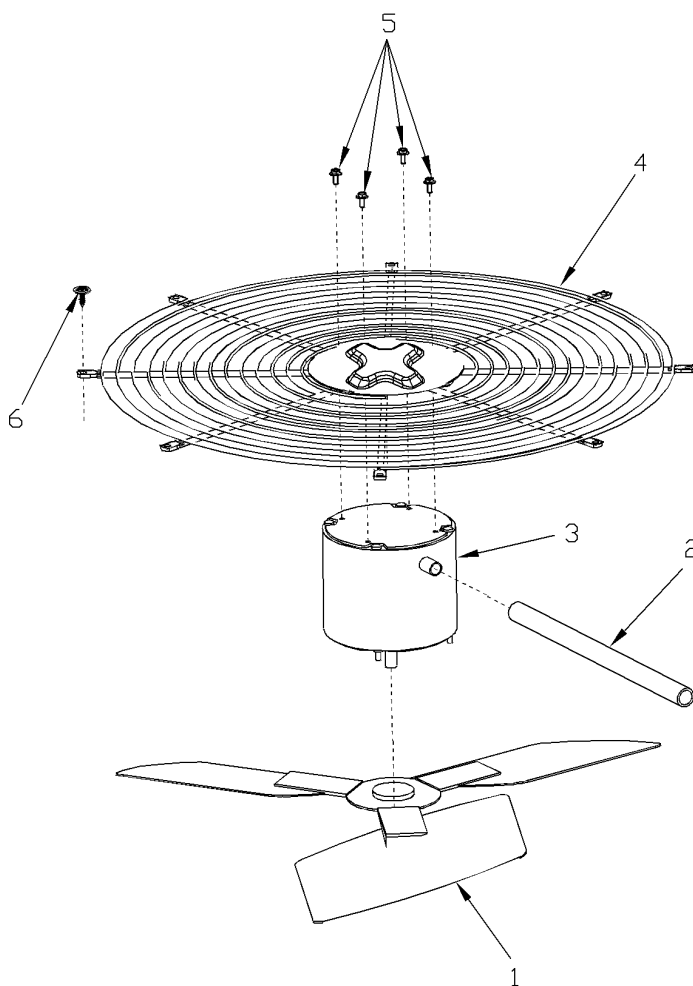
Part No.	Reference No.	Quantity	Description
BLT00809	*	4	BOLT; CARRIAGE, 5/16-18 X 1-3/4
BOD00114	*	3	BODY; VALVE, BRASS, 7/16 HEX, 7/16 -20 UNF-2A
GKT01820	*	4	GASKET; 3/4 OD X 7/16 ID X .06 THK
ISR00007	*	4	ISOLATOR; VIBRATION
NUT00355	*	4	NUT; HEX, LOCK, 5/16IN.-18
NUT00890	*	4	NUT; PALLET, 5/16-18 UNC 2B THD.
WAS00638	*	4	WASHER; FLAT, 5/16 INCH
WIR04493	*	1	WIRE; PLUG, SCROLL COMPRESSOR
COM10032	1	1	COMPRESSOR; SCROLL, SXA031C1BPZ, 208-230/60/1, 2.6 TON, RED
SWT03545	2	1	SWITCH; LOW PRESSURE, OPEN @ 25 PSIG, CLOSE @ 45 PSIG
COR00103	3	3	CORE; VALVE, .79 LENGTH, .206-36 UNS-1 MOD. THD
CAP00455	4	3	CAP; HUB, 7/16-20 STRAIGHT
SWT03542	5	1	SWITCH; HIGH PRESSURE, SPST, OPEN @ 650 PSIG, CLOSE @ 500 PSIG, BRAZED
VAL08882	6	1	VALVE; SWITCHOVER, 4 TON (INCLUDES SOLENOID COIL)
PAN02888	7	1	PAN; DRAIN, BLACK PVC, 29.58 X 7.75
TUB11685	8	1	TUBE; ASSEMBLY, INDOOR DISTRIBUTOR
DST00895	9	1	DISTRIBUTOR; 5 OUTLETS, 19 ODS, .50 ODM INLET, BRASS
VAL08701	10	1	VALVE; EXPANSION, 3 TON, 3/8 INLET X 1/2 OUTLET, 92/88 PSIG, R410A
TUB11669	11	1	TUBE; ASSEMBLY, INDOOR FLOW CONTROL, R410A
COL13522	12	1	COIL; INDOOR, FLAT FIN
CPT00656	13	1	CAPACITOR; DUAL, 45/5 MFD, 440V, ROUND, W/O RESISTOR

FAN

75005599

REV
A

Typical Illustration. Unit may not appear exactly as shown.



Parts List Number :75008360#4WCX3UP1

Model Number :4WCX3036A1000BA

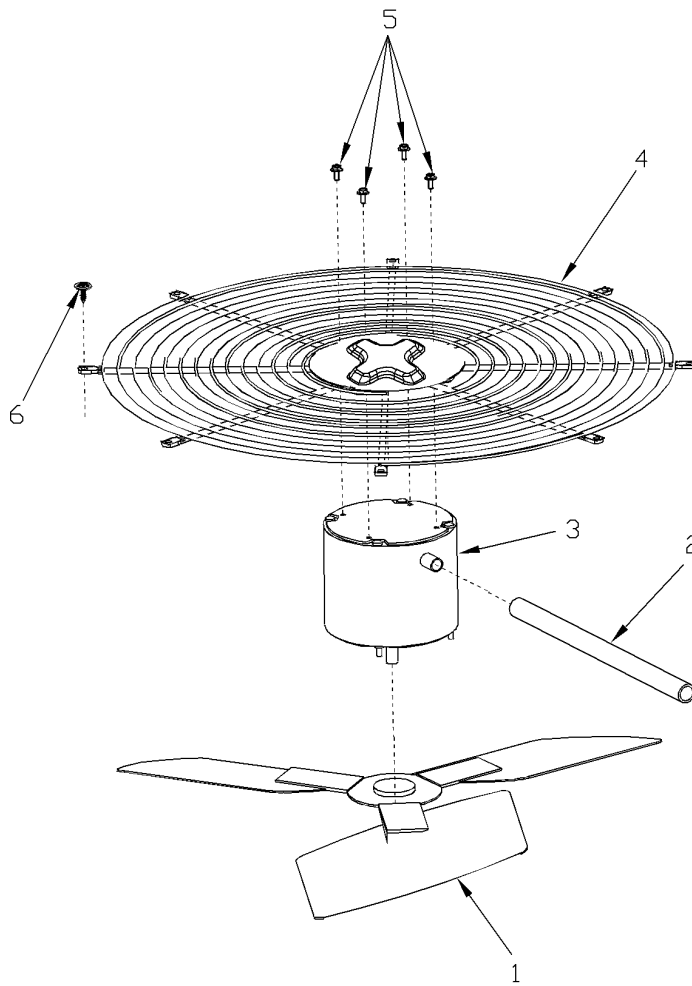
Part No.	Reference No.	Quantity	Description
75005599_4WCX3UP1_334731~ P	*		FAN PARTS LIST

FAN

75005599

REV
A

Typical Illustration. Unit may not appear exactly as shown.



Parts List Number :75008360#4WCX3UP1

Model Number :4WCX3036A1000BA

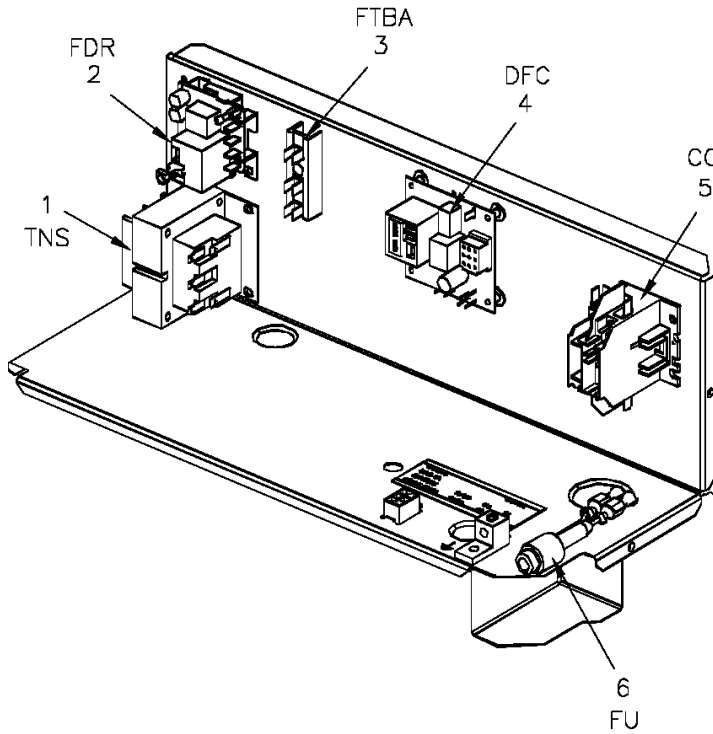
Part No.	Reference No.	Quantity	Description
FAN03995	1	1	FAN; SWEPT BLADE, 2 BLADE, ALUMINUM, 23.4 IN DIA, 32 DEGREES PITCH, .50 IN BORE, CCW, 1 SET SCREW-STEEL
GRD01633	2	1	GUARD; TROUGH-LEAD
MOT12400	3	1	MOTOR; OUTDOOR, 1/5 HP, 200-230/60/1, 825 RPM, TYPE PSC, 48 FRAME,CCW, SLEEVE BEARINGS, 5 MFD CPT AT 370V
GRL01529	4	1	GRILL; OUTDOOR FAN, 26.0 IN MOUNTING DIA
SCR02086	5	4	SCREW; 10-32 TR-3 HXW 3/8 S

Controls

75008378

REV
A

Typical illustration. Unit may not appear exactly as shown.



LEGEND

- CC Compressor Motor Coil
- DFC Defrost Control
- FTBA Fan Terminal Block
- FDR Indoor Fan Delay Relay
- FU Fuse
- TNS Transformer

Parts List Number :75008360#4WCX3UP1

Model Number :4WCX3036A1000BA

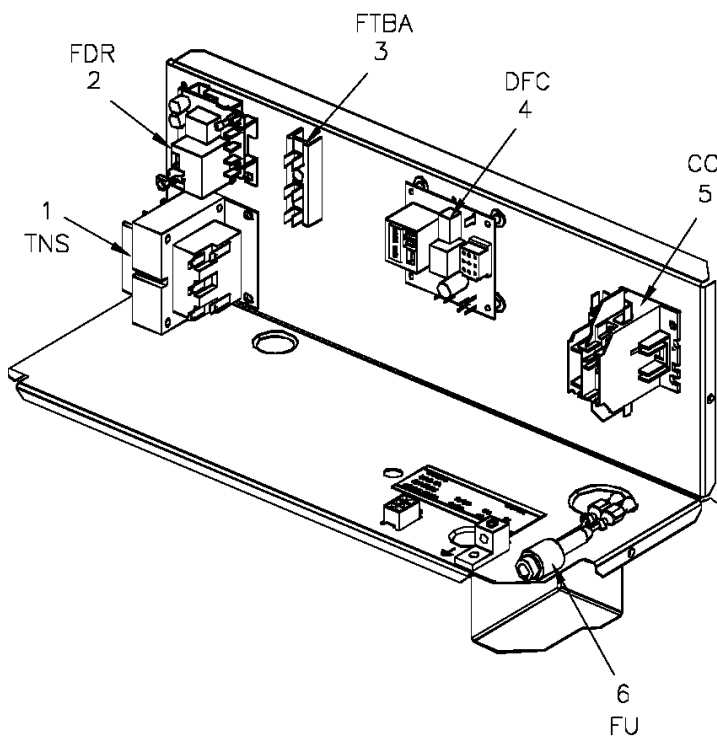
Part No.	Reference No.	Quantity	Description
75008378_4WCX3UP1_334735~ P	*		CONTROLS PARTS LIST

Controls

75008378

REV
A

Typical illustration. Unit may not appear exactly as shown.



LEGEND

CC	Compressor Motor Coil
DFC	Defrost Control
FTBA	Fan Terminal Block
FDR	Indoor Fan Delay Relay
FU	Fuse
TNS	Transformer

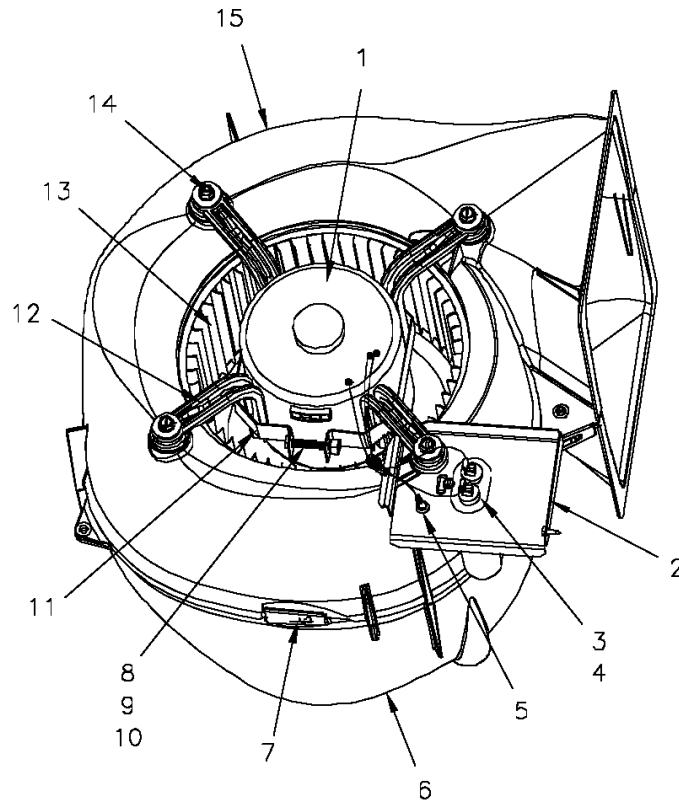
Part No.	Reference No.	Quantity	Description
CON00211	*	1	CONNECTOR; POLARIZED, 9 PIN
CON00251	*	2	CONNECTOR; WIRE
LUG00014	*	1	LUG, GROUND
RCT00062	*	1	RECEPTACLE; CONNECTOR, 6 PIN, POLARIZED, MALE
SEN01510	*	1	SENSOR; ASSEMBLY-AMBIENT, 83/85 IN LENGTH WIRES
WIR04522	*	1	WIRE; HARNESS, CONTROL. INCLUDES SEN01369 (ODS), CON00211, RCT00062 AND (2) CON00251.
TRR01558	1	1	TRANSFORMER; 75VA, 200/230V PRI, 24V SEC, QUICK CONNECTS
RLY03081	2	1	RELAY; TIME DELAY, POWER POLE-7 FLA, 36 RLA AT 240VAC, PILOT POLE-25 VA AT 24 VAC, 2 SEC ON-DELAY, 45 SEC OFF-DELAY (INCLUDES PC BOARD)
BRD00385	3	1	BOARD; TERMINAL, FAN, 24V, 3 POLE
CNT04364	4	1	CONTROL; DEFROST (USE ON PACKAGED HEAT PUMPS ONLY: 2WC*, 4WC*, 4DC*)
CTR01333	5	1	CONTACTOR; 2 POLE, NO, 40 FLA AT 240V, 50/60 HZ, 50 RES AMPS, 24V COIL, 40 FLA AT 277/480/600V
FUS01776	6	1	FUSE; 3.2 AMP, WITH HOLDER AND QUICK CONNECTS

Blower

75008351



Typical illustration. Unit may not appear exactly as shown.



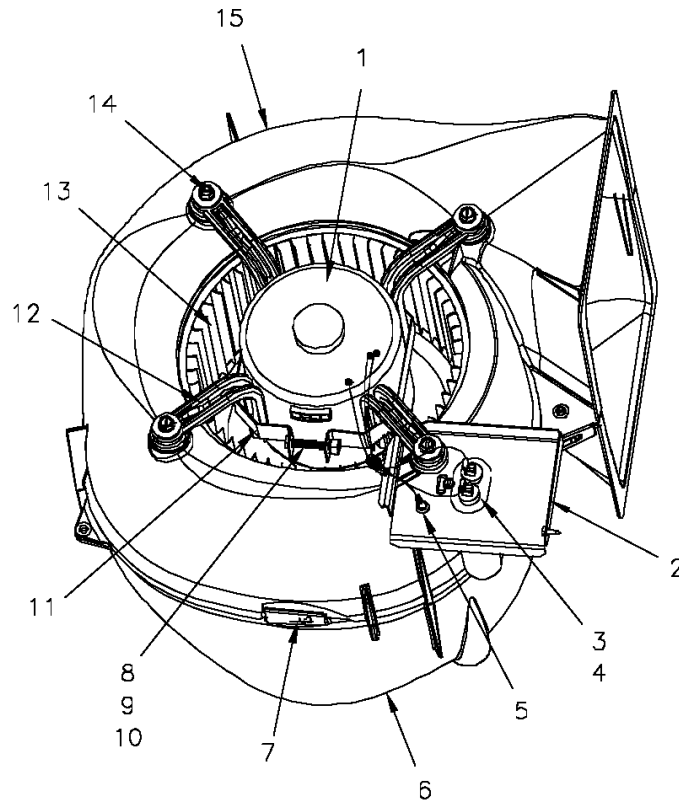
Part No.	Reference No.	Quantity	Description
75008351_4WCX3UP1_334732~ P	*		BLOWER PARTS LIST

Blower

75008351

REV
E

Typical illustration. Unit may not appear exactly as shown.



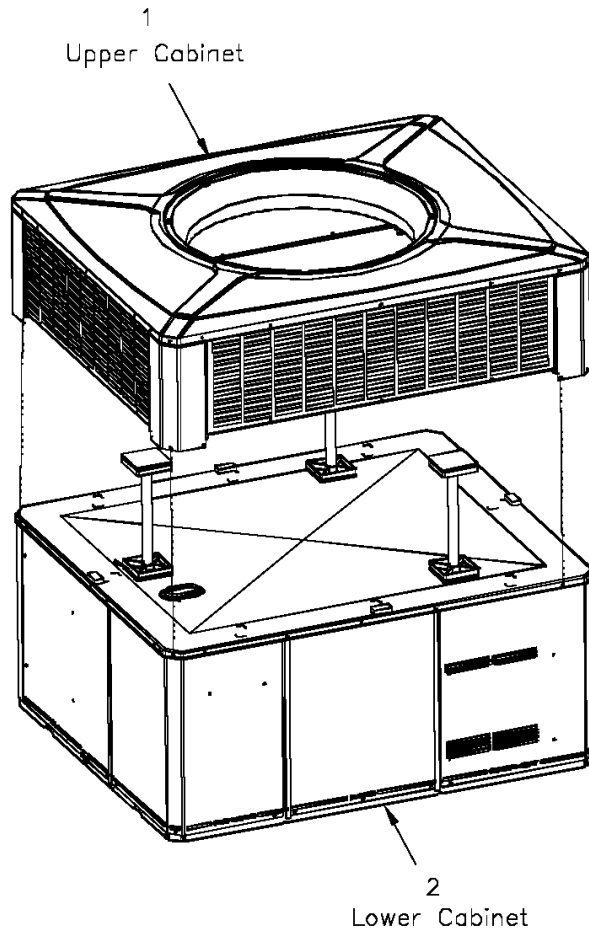
Part No.	Reference No.	Quantity	Description
BLW01082	*	1	BLOWER; ASSEMBLY, COMPLETE
MOT13110	1	1	MOTOR; INDOOR, 1/2 HP, 200-230/60/1, 1075 RPM, TYPE KCP, CW, SLEEVE BEARINGS, 15 MFD CPT AT 440V
BRK03542	2	1	BRACKET; BLOWER RETAINER, 4.32 X 3.45
CPT00839	3	1	CAPACITOR; 15 MFD, 440V, OVAL, W/O RESISTOR
SCR00998	4	2	SCREW; 10-16 B HXW 1/2 S
SCR00968	5	1	SCREW; 10-16 HEX WASHER, TYPE B, THREAD FORMING SCREW, 0.31 THREAD LENGTH, STEEL W/ZINC FINISH
HUS03805	6	1	HOUSING; BLOWER RIGHT SIDE WITHOUT MOUNTING HOLES, MOLDED GLASS FIBER POLYESTER, COLOR: NATURAL
CLP01088	7	4	CLIP; CLEAT-BLOWER
SCR01584	8	1	BOLT; 1/4-20 MA HX 1.5 S
NUT00487	9	1	NUT; STEEL HEX, 1/4-20
WAS00646	10	1	WASHER; STEEL SPRING LOCK, 1/4 INCH
BND00026	11	1	BAND; MOTOR MOUNT
BRK03396	12	4	BRACKET; ARM-MOTOR
WHL02689	13	1	WHEEL; BLOWER, 48 BLADES, CCW, CONVEX DISC, 10.62 X 10.68
SCR02112	14	4	SCREW; ASSEMBLY-MOTOR MOUNT
HUS03804	15	1	HOUSING; BLOWER LEFT SIDE WITH 4 MOUNTING HOLES, MOLDED GLASS FIBER POLYESTER, COLOR: NATURAL

Cabinet

75008359

REV
A

Typical illustration. Unit may not appear exactly as shown.



View is determined by facing Appearance Nameplate

Parts List Number :75008360#4WCX3UP1

Model Number :4WCX3036A1000BA

Part No.	Reference No.	Quantity	Description
75008359_4WCX3UP1_196145~ P	*		CABINET PARTS LIST
75008380#4WCX3UP1~S	*		LOWER CABINET
75008381#4WCX3UP1~S	*		UPPER CABINET

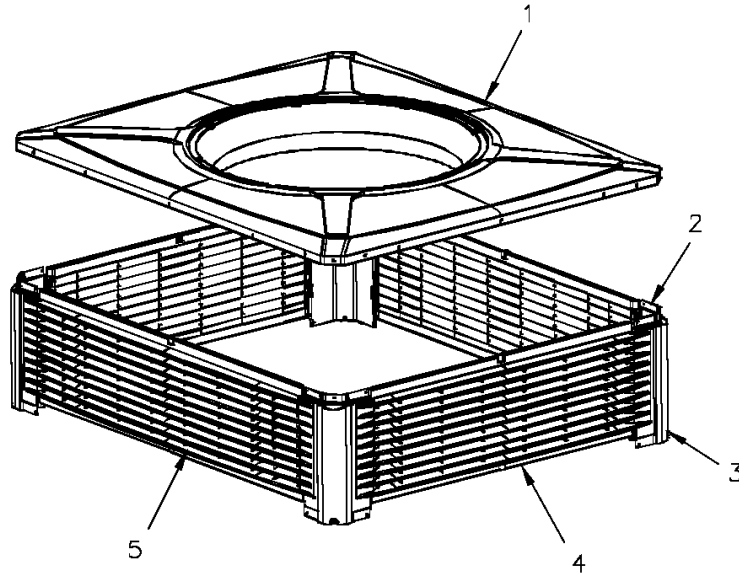
Cabinet

75008361

REV
A

upper

Typical illustration. Unit may not appear exactly as shown.



Parts List Number :75008360#4WCX3UP1

Model Number :4WCX3036A1000BA

Part No.	Reference No.	Quantity	Description
75008381_4WCX3UP1_283242~ P	*		UPPER CABINET PARTS LIST

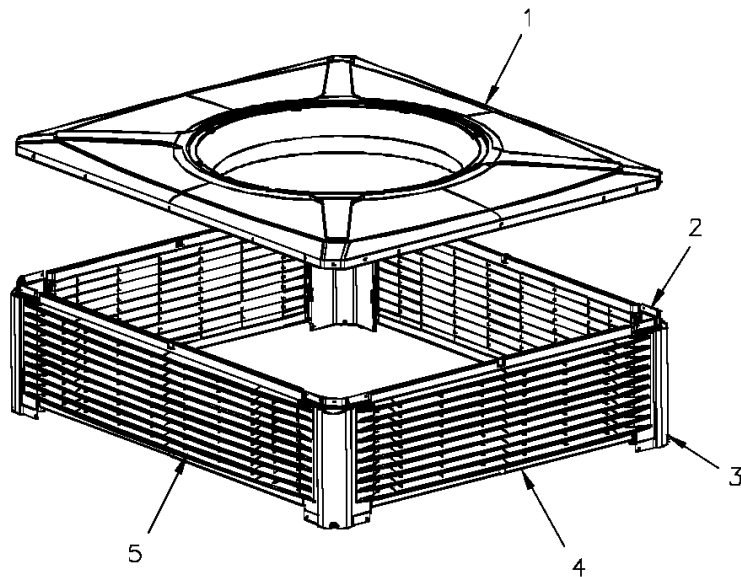
Cabinet

75008361

REV
A

upper

Typical illustration. Unit may not appear exactly as shown.



Part No.	Reference No.	Quantity	Description
BRK03610	*	16	BRACKET; PLASTIC LOUVER, 2.0 X .63 X .53
SCR01510	*	24	SCREW; 10-16 AB HXW 1/2 SN
SUP05014	*	3	SUPPORT; OD COIL, BOTTOM, 4X4, INCLUDES GASKET
SUP05015	*	3	SUPPORT; OD COIL, TOP, 4X4, INCLUDES GASKET
TUB12006	*	3	TUBE; SUPPORT, TOP PIPE, .75 DIA, SCHEDULE 40 GREY PVC, 12.46 INCHES
COV03694	1	1	COVER; OUTDOOR, TOP, 48.61 X 41.08
PNL22001	2	4	PANEL; CORNER POST, 11.84 H
PNL22189	4	2	PANEL; PLASTIC LOUVER, 43.40 X 11.40 - INCLUDES SPEED NUTS AND MOUNTING BRACKETS.
PNL22185	5	2	PANEL; PLASTIC LOUVER, 35.86 X 11.40 - INCLUDES SPEED NUTS AND MOUNTING BRACKETS.

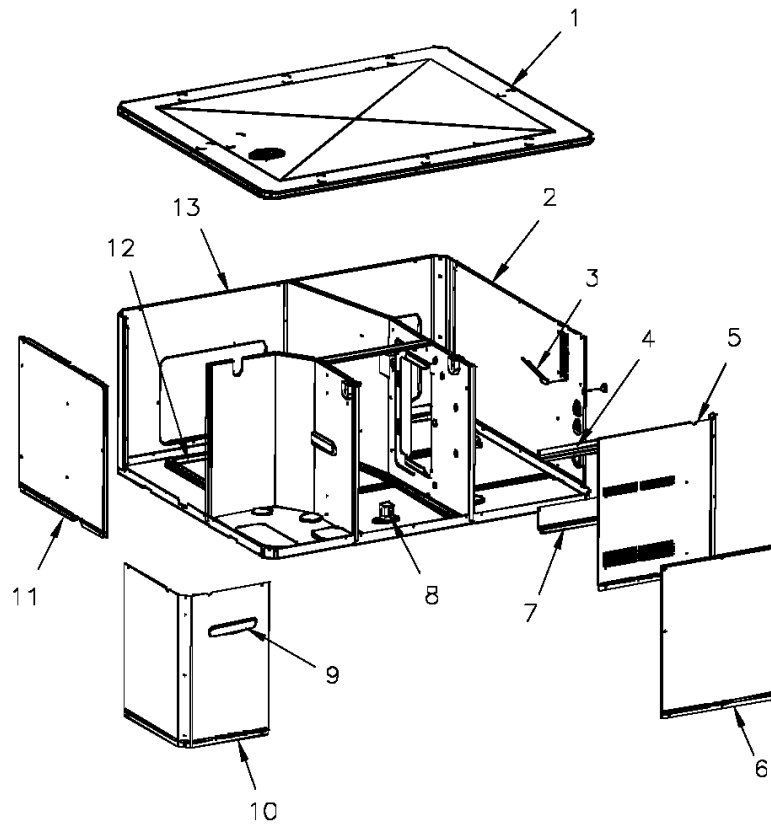
Cabinet

75008380

REV
A

lower

Typical illustration. Unit may not appear exactly as shown.



View is determined by facing Appearance Nameplate

Parts List Number :75008360#4WCX3UP1

Model Number :4WCX3036A1000BA

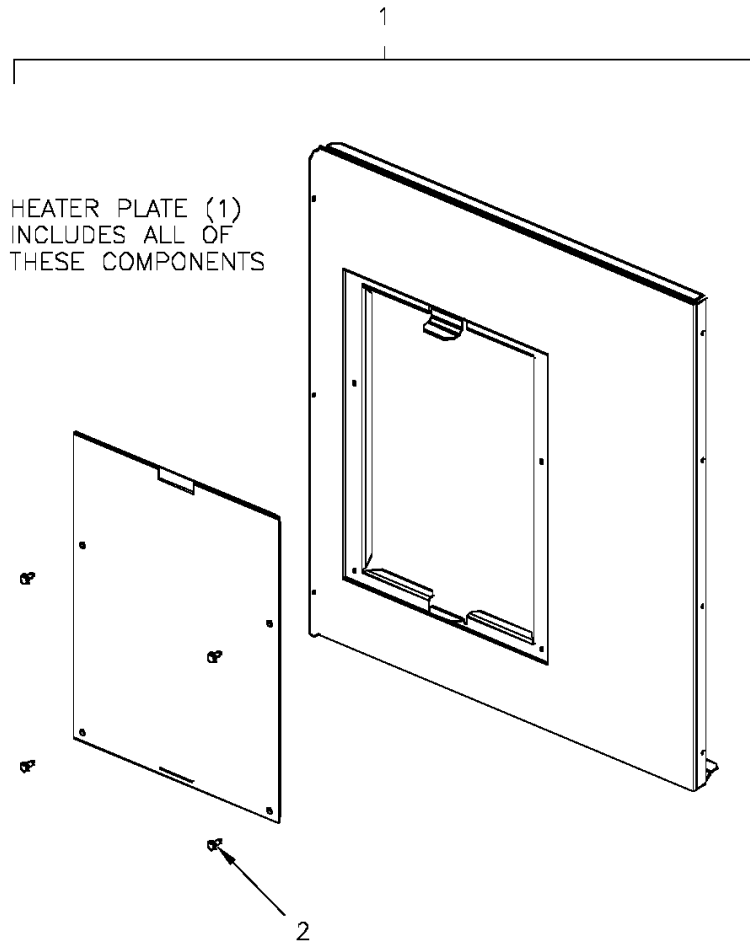
Part No.	Reference No.	Quantity	Description
75008355#4WCX3UP1~S	*		ELECTRIC HEATER PLATE
75008380_4WCX3UP1_283241~ P	*		LOWER CABINET PARTS LIST

Electric Heater Plate

75008355

REV
A

Typical illustration. Unit may not appear exactly as shown.



ELECTRIC HEATER PLATE

Parts List Number :75008360#4WCX3UP1

Model Number :4WCX3036A1000BA

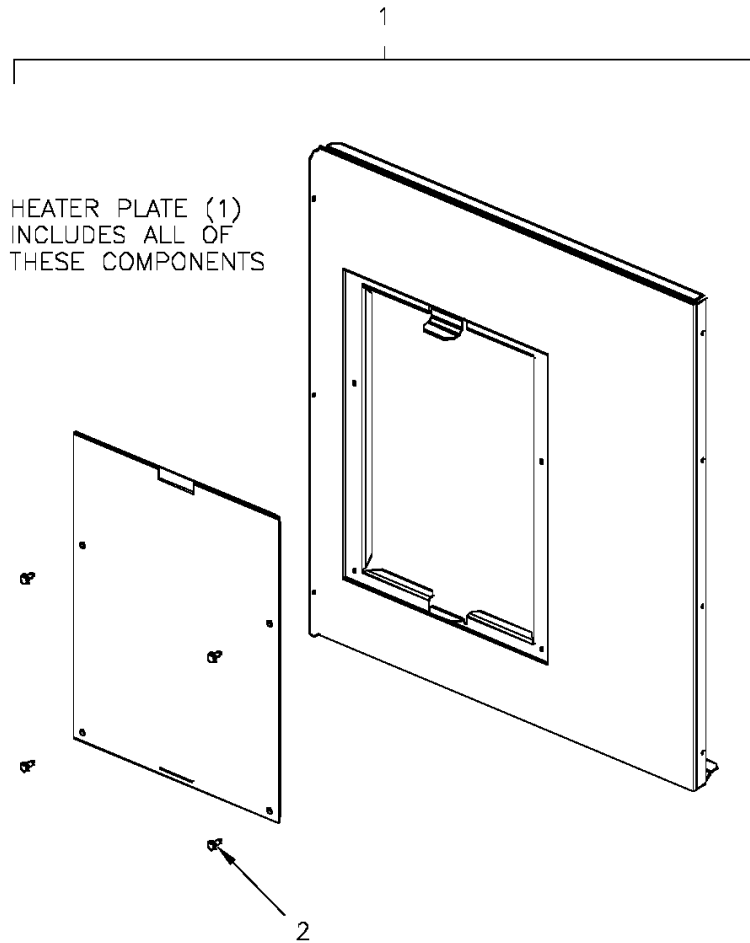
Part No.	Reference No.	Quantity	Description
75008355_4WCX3UP1_196147~ P	*		ELECTRIC HEATER PLATE PARTS LIST

Electric Heater Plate

75008355

REV
A

Typical illustration. Unit may not appear exactly as shown.



Part No.	Reference No.	Quantity	Description
PLT04182	1	1	PLATE; ELECTRIC HEATER, 21.15 x 18.30. INCLUDES BARRIER AND PLATE
SCR01510	2	12	SCREW; 10-16 AB HXW 1/2 SN

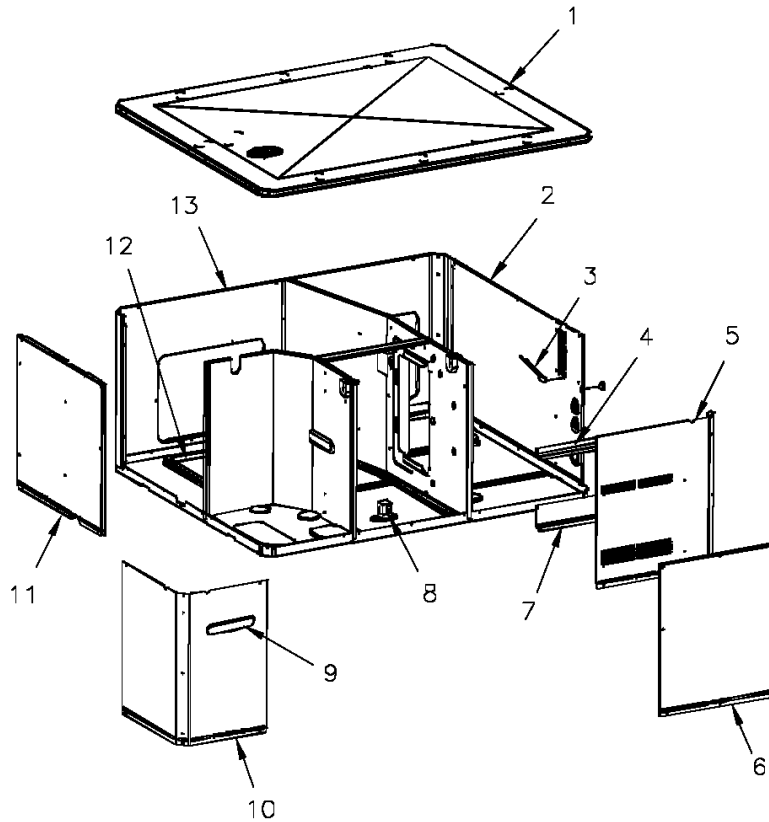
Cabinet

75008380

REV
A

lower

Typical illustration. Unit may not appear exactly as shown.



View is determined by facing Appearance Nameplate

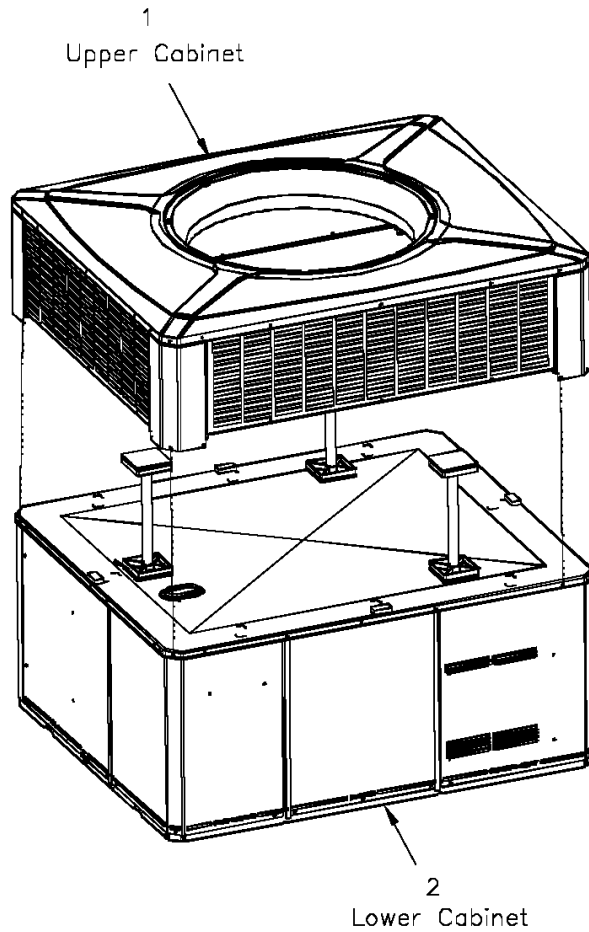
Part No.	Reference No.	Quantity	Description
PNL26584	*	1	PANEL; BLOWER BARRIER, 41.05 X 21.15
PNL28755	*	1	PANEL; COMPRESSOR BARRIER, 27.22 W X 21.15 H
COV03696	1	1	COVER; INDOOR, TOP, 48.61 X 41.08
PNL22036	2	1	PANEL; ELECTRIC HEAT ACCESS, 35.49 X 20.91
SHD00397	3	1	SHIELD; LOUVER, TOP, 5.0 X 1.9
SHD00396	4	1	SHIELD; LOUVER, CONTROL ACCESS PANEL, 12.95 X 1.50
PNL22041	5	1	PANEL; CONTROL/HEAT ACCESS, 17.93 X 20.70
PNL22013	6	1	PANEL; BLOWER ACCESS, 17.63 X 20.70
SHD00395	7	1	SHIELD; LOUVER, CONTROL ACCESS PANEL, 12.95 X 3.40
BRK03541	8	1	BRACKET; BLOWER SUPPORT, V-SHAPED, 3.13 X 2.75 X 1.50
PLT04232	9	1	PLATE; APPEARANCE NAMEPLATE, TRANE, XL13C, 9.0 X 1.8
PNL21998	10	1	PANEL; COMPRESSOR ACCESS, 20.7 X 12.7 & 20.7 X 15.5
PNL22039	11	1	PANEL; INDOOR COIL ACCESS, 22.42 X 20.70
COV03698	12	2	COVER; SUPPLY AND RETURN, 15.88 X 11.88
PNL22197	13	1	PANEL; SUPPLY AND RETURN, 48.41 X 20.88

Cabinet

75008359

REV
A

Typical illustration. Unit may not appear exactly as shown.

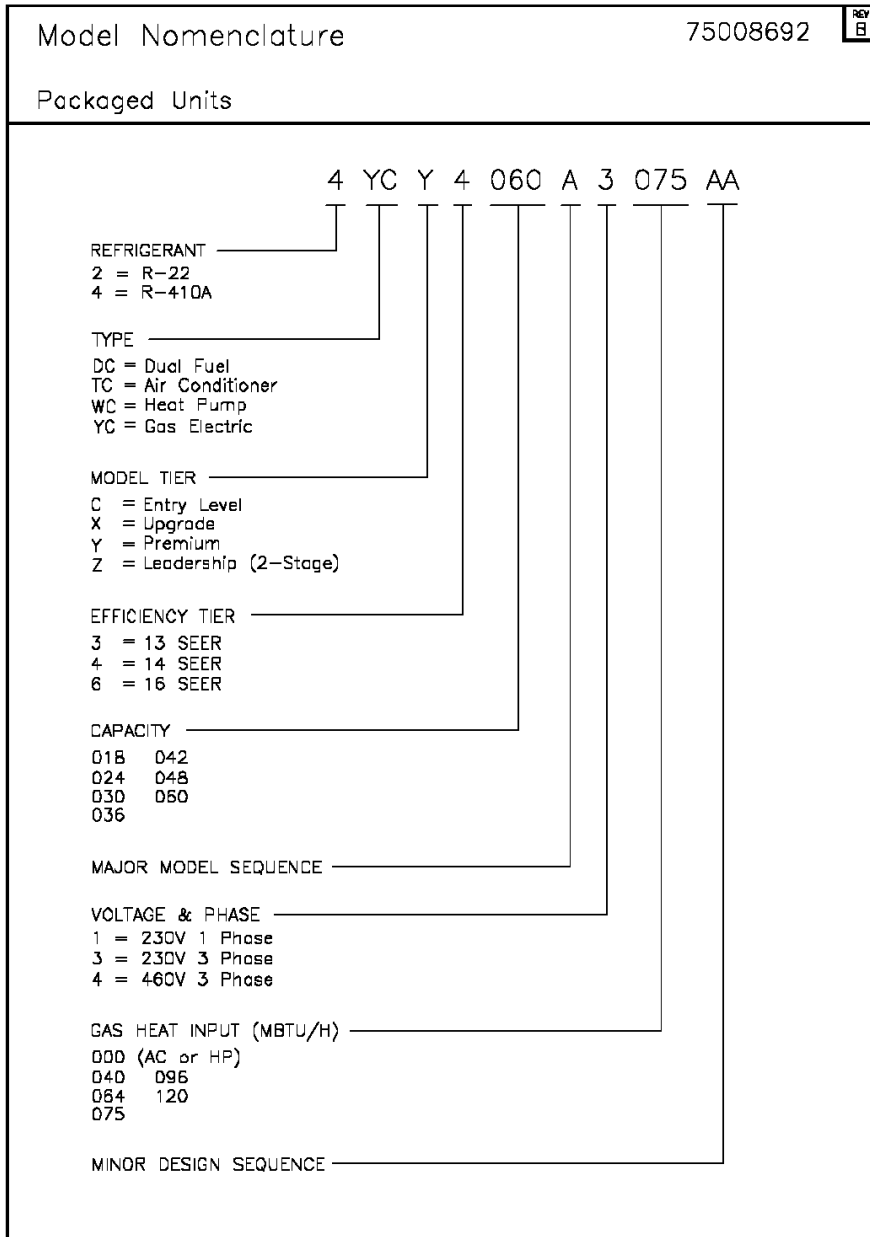


View is determined by facing Appearance Nameplate

Parts List Number :75008360#4WCX3UP1

Model Number :4WCX3036A1000BA

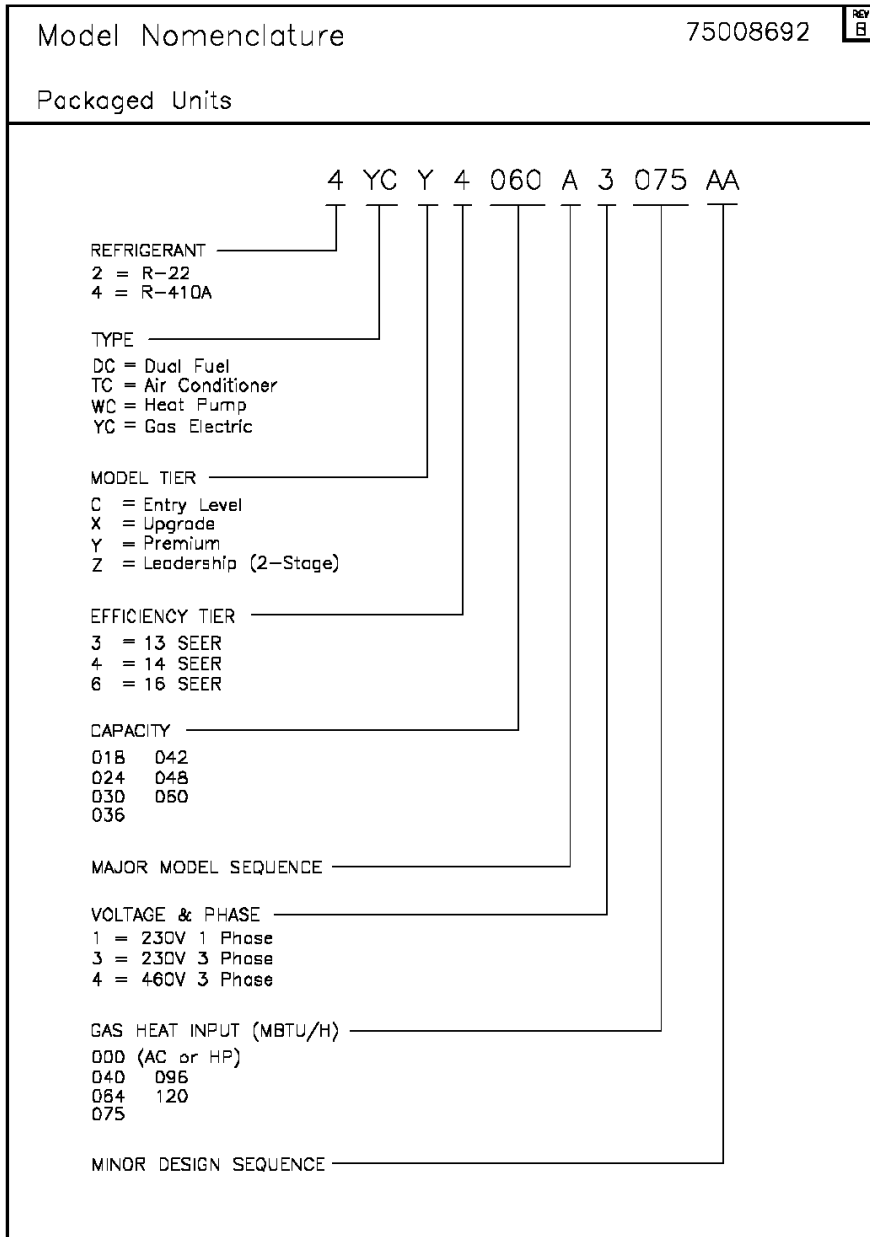
Part No.	Reference No.	Quantity	Description
BAF01378	*	1	BAFFLE; AIR, 16.00 X 8.50
PAI00074	*	1	PAINT; SPRAY, SLATE GREY, FULL GLOSS(88) (SHIPPING UOM 12 OZ HAZ)



Parts List Number :75008360#4WCX3UP1

Model Number :4WCX3036A1000BA

Part No.	Reference No.	Quantity	Description
75008692_4WCX3UP1_196150~ P	*		MODEL NOMENCLATURE PARTS LIST



Parts List Number :75008360#4WCX3UP1

Model Number :4WCX3036A1000BA

Part No.	Reference No.	Quantity	Description
NGRAPHIC_4WCX3UP1_351174 ~P	*		OPTIONAL FIELD INSTALLED ACCESSORIES PARTS LIST

NO GRAPHIC AVAILABLE

75013702

REV
A

**NO
GRAPHIC
AVAILABLE**

Parts List Number :75008360#4WCX3UP1

Model Number :4WCX3036A1000BA

Part No.	Reference No.	Quantity	Description
BAYUV101A	*	1	25 WATT UV LIGHT KIT FOR SMALL PACKAGED UNITS
ECN00111	*	1	ECONOMIZER; DOWN DISCHARGE, AND RAIN HOOD (BAYECON101AA)
ECN00113	*	1	ECONOMIZER; HORIZONTAL (BAYECON200AA)
HTR08651	*	1	HEATER; ELECTRIC, 3.76/5.0 KW, 208/240/1 (BAYHTRV105EA)
HTR08652	*	1	HEATER; ELECTRIC, 6.0/8.0 KW, 208/240/1 (BAYHTRV108EA)
HTR08653	*	1	HEATER; ELECTRIC, 7.51/10.0 KW, 208/240/1 (BAYHTRV110EA)
HTR08654	*	1	HEATER; ELECTRIC, 11.27/15.0 KW, 208/240/1 (BAYHTRV115EA)
KIT03361	*	1	KIT; LIFTING LUGS-BAYLIFT002B (CTN = 6 PIECES)
KIT06631	*	1	KIT; OUTSIDE AIR CONTROL (BAYOSAC001AA)
KIT06658	*	1	KIT; ENTHALPY CONTROL (BAYENTH001AB)
KIT13551	*	1	KIT; CURB ADAPTER (BAYADAP050AA)
KIT13552	*	1	KIT; CURB ADAPTER (BAYADAP051AA)
KIT13559	*	1	KIT; 12 INCH DUCT SHROUD COVERS HORIZONTAL (BAYCOVR112AA)
KIT13560	*	1	KIT; 18 INCH DUCT SHROUD COVERS HORIZONTAL (BAYCOVR118AA)
KIT13561	*	1	KIT; FULL PERIMETER ROOF MOUNTING CURB (BAYCURB050AA)
KIT13563	*	1	KIT; OUTSIDE AIR, 2 POS DAMPER (BAYDMPR101AA)
KIT13565	*	1	KIT; EXTREME CURB MOUNTING (BAYEXMK001AA)
KIT13567	*	1	KIT; EXTREME CURB MOUNTING (BAYEXMK003AA)
KIT13571	*	1	KIT; OUTSIDE AIR, MANUAL DAMPER (BAYOSAH001AA)
KIT13573	*	1	KIT; QUICK START (BAYQSTK300AA)
KIT13575	*	1	KIT; SQUARE/ROUND DUCT ADAPTER (BAYSQRD001AA)
KIT13640	*	1	KIT; LOW AMBIENT COOLING, HEAD PRESSURE CONTROL (BAYLOAM105AA)
KIT15096	*	1	KIT; FILTER FRAME (BAYFLTR101BA). USE ONE 20 X 25 FILTER - NOT INCLUDED.
KIT15141	*	1	KIT; ACCESS DOOR, 1-1/2 TO 3 TON MODELS (BAYACCDOR1AA)
KIT15323	*	1	KIT; EXTREME CURB MOUNTING (BAYEXMK002BA)
KIT15324	*	1	KIT; OUTSIDE AIR CONTROL (BAYOSAC001BA)
KIT15325	*	1	KIT; SQUARE/ROUND DUCT ADAPTER (BAYUTIL101BA)
KIT15403	*	1	KIT; ECONOMIZER, HINGED FILTER ACCESS DOOR AND FILTER FRAME (BAYECONCOMB101A)
KIT15752	*	1	KIT; SUMP HEATER, 208/230V, 40W, BELLY BAND STYLE (BAYCCHT302), 74 IN LENGTH, 5.5 INCH DIA
KIT16161	*	1	KIT; SINGLE POWER ENTRY (BAYSPEK060F)
KIT16162	*	1	KIT; SINGLE POWER ENTRY (BAYSPEK062F)
KIT16163	*	1	KIT; SINGLE POWER ENTRY (BAYSPEK063F)
RLY01652	*	1	RELAY; KIT (BAYRLAY004AA)
TMR00140	*	1	TIMER; ANTISHORT CYCLE (BAYASCT001)