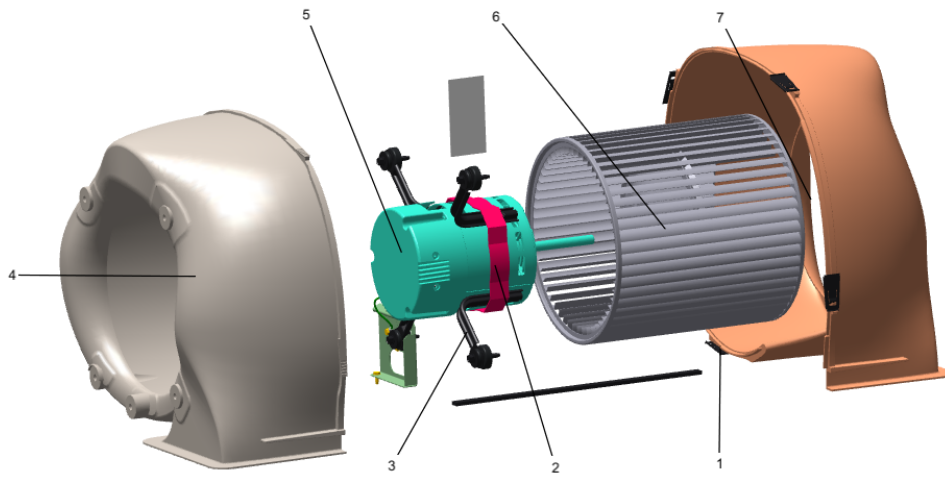


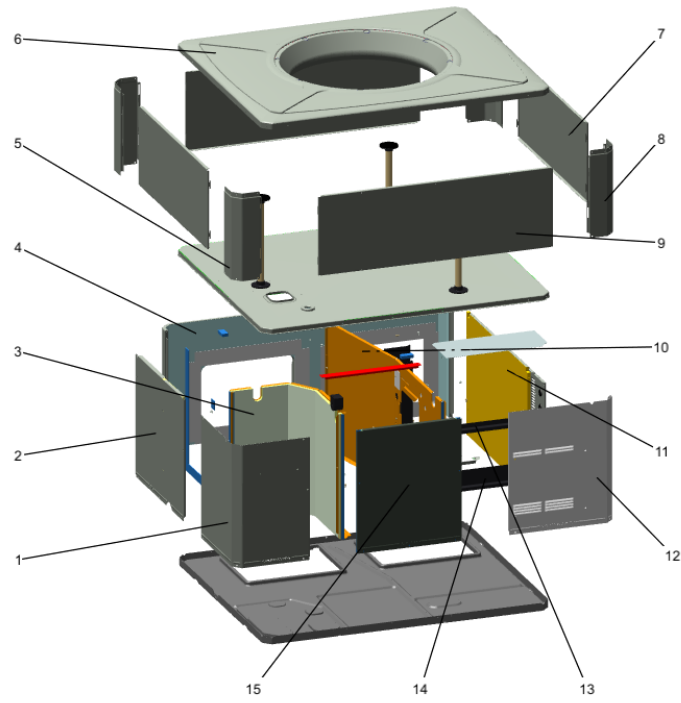
Part No.	Reference No.	Quantity	Description
0000172486~S	*		BLOWER
0000172485~S	*		CABINET
0000209687~S	*		COIL
0000172488~S	*		CONTROL
0000172487~S	*		FAN
0000172490~S	*		HEAT EXCHANGER
0000172492~S	*		MODEL NUMBER DESCRIPTION
0000172489~S	*		REFRIGERATION

Part No.	Reference No.	Quantity	Description
0000037738~P	*		BLOWER PARTS LIST



Part No.	Reference No.	Quantity	Description
BLW01714	*	1	BLOWER; ASM
BRK03543	*	1	BRACKET; BLOWER RETAINER, 4.32 X 5.64
NUT01063	*	1	NUT; LOCKING NYLON
SCR00968	*	1	SCREW; 10-16 HEX WASHER, TYPE B, THREAD FORMING SCREW, 0.31 THREAD LENGTH, STEEL W/ZINC FINISH
SCR00998	*	1	SCREW; 10-16 B HXW 1/2 S
SCR01584	*	1	BOLT; 1/4-20 MA HX 1.5 S
SCR02112	*	4	SCREW; ASSEMBLY-MOTOR MOUNT
TIE00004	*	1	TIE; WIRE
CLP01123	1	4	CLIP; CLEAT-BLOWER
BND00026	2	1	BAND; MOTOR MOUNT
BRK03396	3	4	BRACKET; ARM-MOTOR
HUS03824	4	1	HOUSING; BLOWER LEFT SIDE WITH 4 MOUNTING HOLES, MOLDED GLASS FIBER POLYESTER, COLOR: NATURAL
MOT21062	5	1	MOTOR; ID CTM, 208-230/60, 1050
WHL02557	6	1	WHEEL; BLOWER, 53 BLADES, CCW, CONCAVE DISC, 11.75 X 10.62
HUS03825	7	1	HOUSING; BLOWER RIGHT SIDE WITHOUT MOUNTING HOLES, MOLDED GLASS FIBER POLYESTER, COLOR: NATURAL

Part No.	Reference No.	Quantity	Description
0000037709~P	*		CAB ASM-HP/AC



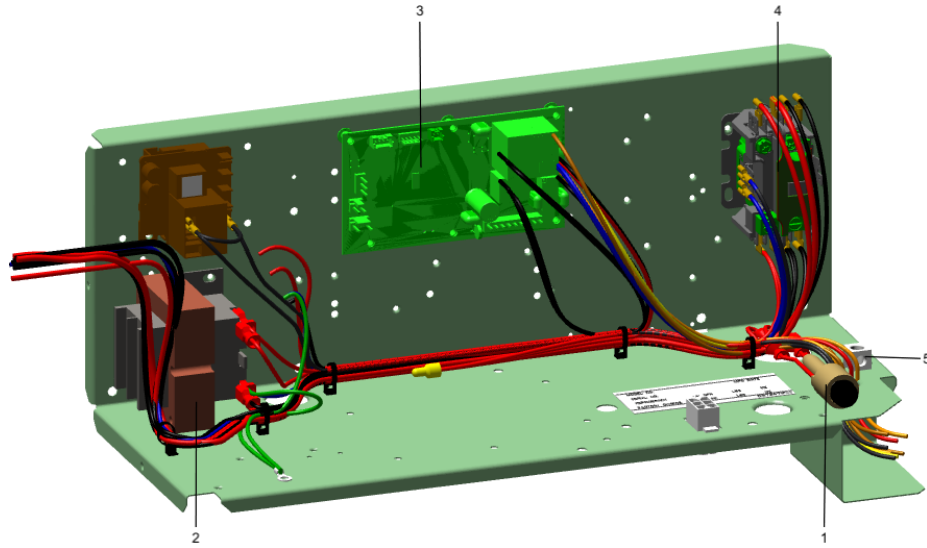
Part No.	Reference No.	Quantity	Description
BAF01378	*	1	BAFFLE; AIR, 16.00 X 8.50
BRK03544	*	1	BRACKET; BLOWER SUPPORT, U-SHAPED, 3.00 X 2.00 X 2.83
COV03699	*	2	COVER; SUPPLY AND RETURN, 17.88 X 14.88
GRM00118	*	1	GROMMET; 3/16 IN ID, NEOPRENE
INS02869	*	1	INSULATION; INDOOR TOP COVER, 17.5 X 7.4
ORF01443	*	1	ORIFICE; INLET, 34.12 OUTSIDE DIA, 28.28 INSIDE DIA
PAI00074	*	0	PAINT; SPRAY, SLATE GREY, FULL GLOSS(88) (SHIPPING UOM 12 OZ HAZ)
RIV00096	*	4	RIVET; BLIND, STAINLESS STEEL
SCR00981	*	27	SCREW, 10-16 AB HXW 1/2 S
SCR01510	*	76	SCREW; 10-16 AB HXW 1/2 SN
SCR01511	*	16	SCREW; 10-16 B HXW 1/2 S
SHD00397	*	1	SHIELD; LOUVER, TOP, 5.0 X 1.9
SUP05918	*	3	SUPPORT; OUTDOOR COIL, 3.0 DIA, WITH GASKET
SUP05919	*	3	SUPPORT; OUTDOOR COIL, 3.0 DIA, WITH GASKET
TUB12257		3	TUBE; SUPPORT, TOP PIPE, .75 DIA, SCHEDULE 40 GREY PVC, 18.46 INCHES
PNL21998	1	1	PANEL; COMPRESSOR ACCESS, 20.7 X 12.7 & 20.7 X 15.5
PNL22040	2	1	PANEL; INDOOR COIL ACCESS, 25.42 X 20.70
PNL28755	3	1	PANEL; COMPRESSOR BARRIER, 27.22 W X 21.15 H
PNL22193	4	1	PANEL; SUPPLY AND RETURN, 58.13 X 20.88
COV03697	5	1	COVER; INDOOR, TOP, 58.33 X 44.08
COV03695	6	2	COVER; OUTDOOR, TOP, 58.33 X 44.08
PNL22005	7	2	PANEL; METAL LOUVER, 35.00 X 17.40
PNL22004	8	4	PANEL; CORNER POST, 17.84 H
PNL22009	9	2	PANEL; METAL LOUVER, 49.25 X 17.40
PNL26625	10	1	PANEL; BLOWER BARRIER, 44.05 X 21.15
PNL22037	11	1	PANEL; ELECTRIC HEAT ACCESS, 38.49 X 20.91
PNL22041	12	1	PANEL; CONTROL/HEAT ACCESS, 17.93 X 20.70
SHD00396	13	1	SHIELD; LOUVER, CONTROL ACCESS PANEL, 12.95 X 1.50
SHD00395	14	1	SHIELD; LOUVER, CONTROL ACCESS PANEL, 12.95 X 3.40
PNL22014	15	1	PANEL; BLOWER ACCESS, 27.36 X 20.70

Part No.	Reference No.	Quantity	Description
0000055064~P	*		COIL ASSEMBLY INDOOR (HT PUMP)
0000055057~P	*		COIL ASSEMBLY OUTDOOR (HT PUMP)

Part No.	Reference No.	Quantity	Description
COL25346	1	1	COIL; INDOOR, FLAT FIN, 36.00 L X 20.00 H
RNG01088	2	0	RING; BRAZE
TUB01832	3	2	TUBE;ASSEMBLY, CROSSOVER
TER00312	4	2	TERMINAL; 8IN. TIE CABLE
TIE00015	5	2	TIE;
VAL19951	6	1	VALVE; HXCE 6 KX - 3X4ODFX2
DST00898	7	1	DISTRIBUTOR; 8 OUTLETS, 19 ODS, .50 ODM INLET, BRASS

Part No.	Reference No.	Quantity	Description
CLP00296	1	1	CLIP; TXV BULB, 7/8 INCH
TIE00007	2	1	TIE;CABLE
TUB11547	3	18	TUBE; TRANSITION ASSEMBLY
TUB02810	4	18	TUBE; TRANSITION
DHY01653	5	1	DRIER FILTER
DST00899	6	1	DISTRIBUTOR; 9 OUTLETS, 19 ODS, .50 ODM INLET, BRASS
TIE00029	7	7	TIE;CABLE
RES00843	8	1	RESISTOR; 9.750 K OHMS
TUB11542	9	1	TUBE; RUBBER-EQUAL-TUBING, .375 DIAMETER, 25.000 LENGTH
INS00306	10	1	INSULATION;
COL25361	11	1	COIL; OUTDOOR, SPINE FIN, 55.67 L X 41.42 W X 18.50 H
TER00312	12	7	TERMINAL; 8IN. TIE CABLE
VAL11885	13	1	VALVE; FLOW CONTROL ASSEMBLY, INCLUDES TXV AND DISTRIBUTOR
TIE00015	14	4	TIE;
SEN01370	15	1	SENSOR; ASSEMBLY, 9.75 K RESISTANCE OHMS AT 75 DEG F, YELLOW WIRES, 73 IN AND 75 IN
VAL19952	16	1	VALVE; HXCE 3 ZX - 3X4ODF
WIR00767	17	2	WIRE; SPLICE
RES00118	18	1	RESISTOR; THERMISTOR , 260 OHMS AT 75 DEGREE F
TUB11543	19	1	TUBE; RUBBER-BULB-TUBING, 1.125 DIAMETER, 34.000 LENGTH

Part No.	Reference No.	Quantity	Description
0000039774~P	*		CONTROL BOX PARTS LIST



Part No.	Reference No.	Quantity	Description
CON00251	*	2	CONNECTOR; WIRE
RCT00062	*	1	RECEPTACLE; CONNECTOR, 6 PIN, POLARIZED, MALE
RES00118	*	1	RESISTOR; THERMISTOR , 260 OHMS AT 75 DEGREE F
RES00843	*	1	RESISTOR; 9.750 K OHMS
RLY01384	*	1	RELAY; 240/480V, 24V COIL
SEN01510	*	1	SENSOR; ASSEMBLY-AMBIENT, 83/85 IN LENGTH WIRES
TRR01558	*	1	TRANSFORMER; 75VA, 200/230V PRI, 24V SEC, QUICK CONNECTS
WIR00767	*	2	WIRE; SPLICE
WIR07794C	*	5	(X19210028130) TIE; WIRE NYLON 7.78 INCH 50 LB. .184" W
WIR12094	*	1	WIRE; HARNESS-CONTROL
FUS01776	1	1	FUSE; 3.2 AMP, WITH HOLDER AND QUICK CONNECTS
TER00312	2	10	TERMINAL; 8IN. TIE CABLE
CNT09325	3	1	CONTROL; DEFROST
CTR01333	4	1	CONTACTOR; 2 POLE, NO, 40 FLA AT 240V, 50/60 HZ, 50 RES AMPS, 24V COIL, 40 FLA AT 277/480/600V
CON00077	5	1	CONNECTOR, ELECTRIC GROUND, 14-2 AWG SOLDERLESS

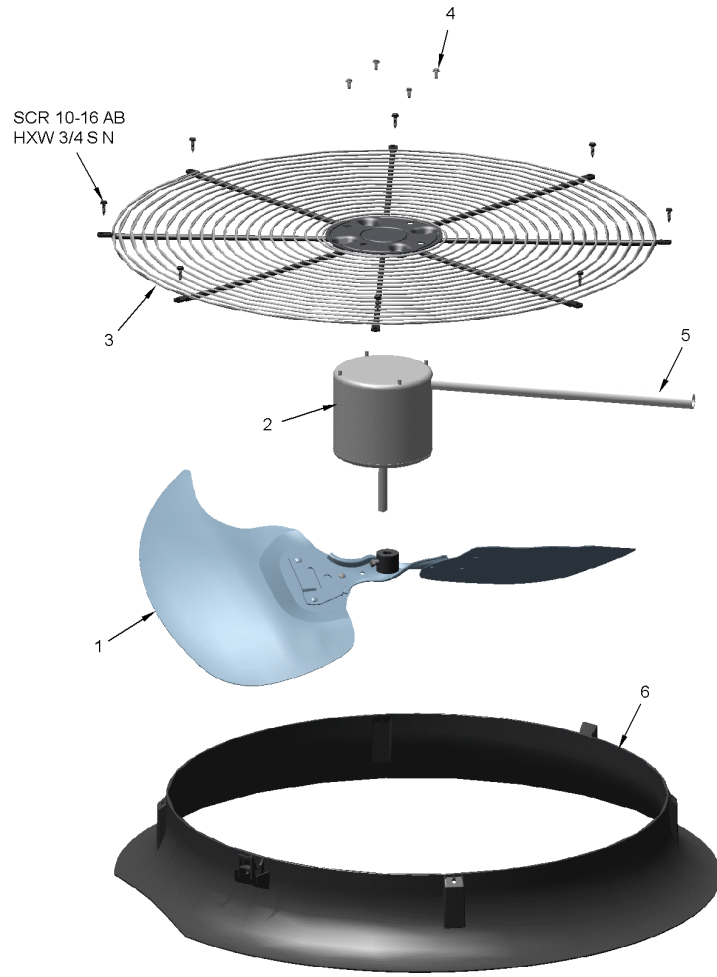
Part No.	Reference No.	Quantity	Description
0000037536~P	*		FANS PARTS LIST

FAN

75010748

REV.
A

TYPICAL ILLUSTRATION



Part No.	Reference No.	Quantity	Description
CPT00088	*	1	CAPACITOR; RUN, 10 MFD, 440V OVAL, W/O RESISTOR
CPT02662	*	1	CAPACITOR; 10 MFD 370V
SCR00998	*	1	SCREW; 10-16 B HXW 1/2 S
FAN03907	1	1	FAN; SWEPT BLADE, 3 BLADE, ALUMINUM, 28.25" DIA, 30 DEGREES PITCH, 0.50" BORE, CCW, 1 SET SCREW-STEEL, FINISH/PAINT
MOT13834	2	1	MOTOR; OUTDOOR, 1/3 HP, 200-230/60/1, 825 RPM, TYPE PSC, CCW, BALL BEARINGS, 10 MFD CPT AT 370V
GRL01530	3	1	GRILL; OUTDOOR FAN, 30.64 IN MOUNTING DIA
SCR02086	4	4	SCREW; 10-32 TR-3 HXW 3/8 S
GRD01440	5	1	GUARD; TROUGH-LEAD

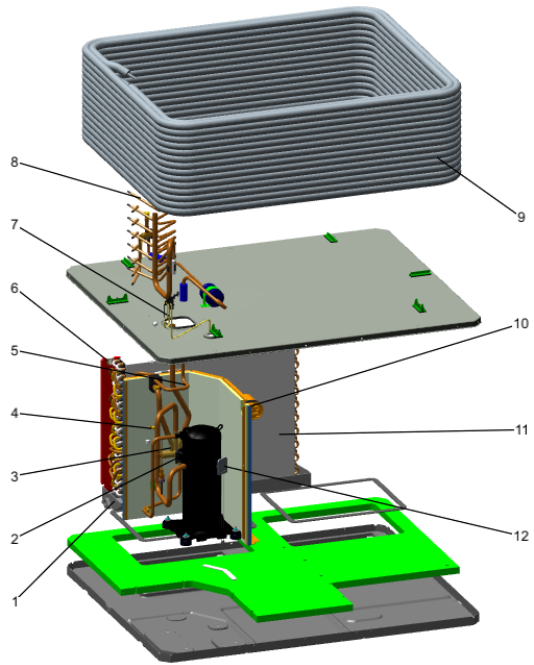
Part No.	Reference No.	Quantity	Description
0000037796~P	*		HEAT EXCHANGER PARTS LIST

Part No.	Reference No.	Quantity	Description
PLT04182	*	1	PLATE; ELECTRIC HEATER, 21.15 x 18.30. INCLUDES BARRIER AND PLATE
SCR01510	*	12	SCREW; 10-16 AB HXW 1/2 SN

Part No.	Reference No.	Quantity	Description
0000026530~P	*		MODEL NUMBER DESCRIPTION

MODEL NUMBER DESCRIPTION	75011470	REV C
PACKAGED UNITS		
<i>Example Model Number:</i> 4 Y C Y 5 0 4 8 A 1 0 9 0 A A <small>1 - - - 5 - - - 10 - - - 15</small>		
Digit 1 – Refrigerant 4 = R-410A		
Digit 2 – Type Y = Gas Electric W = Heat Pump D = Dual Fuel T = Air Conditioner		
Digit 3 – Model Tier C = Convertible H = Horizontal (only)		
Digit 4 – Model Tier C = Entry Level X = Upgrade Y = Premium Z = Leadership - (2-Stage) A = RunTru Brand		
Digit 5 – Efficiency Tier 3 = 13 SEER 4 = 14 SEER 5 = 15 SEER 6 = 16 SEER		
Digits 6,7,8 – Capacity in 1000's (BTUH) 018 042 024 048 030 060 036		
Digit 9 – Major Design Change		
Digit 10 – Voltage & Phase 1 = 230V 1 Phase 3 = 230V 3 Phase 4 = 460V 3 Phase		
Digit 11,12,13 – Gas Heat Input (MBTU/H) 000 (AC or HP) 075 040 096 064 120		
Digit 14 – Minor Design Change		
Digit 15 – Service Digit - Not Orderable		
1 of 1		

Part No.	Reference No.	Quantity	Description
0000037826~P	*		REFRIGERATION PARTS LIST



Part No.	Reference No.	Quantity	Description
BLT00809	*	4	BOLT; CARRIAGE, 5/16-18 X 1-3/4
CAP00455		3	CAP; HUB, 7/16-20 STRAIGHT
CLP00296		2	CLIP; TXV BULB, 7/8 INCH
CON00251		4	CONNECTOR; WIRE
COR00103		3	CORE; VALVE, .79 LENGTH, .206-36 UNS-1 MOD. THD
CPT01233		1	CAPACITOR; 70 MFD, 440V, ROUND, W/O RESISTOR
DST00898		1	DISTRIBUTOR; 8 OUTLETS, 19 ODS, .50 ODM INLET, BRASS
DST00899		1	DISTRIBUTOR; 9 OUTLETS, 19 ODS, .50 ODM INLET, BRASS
GRM00103		1	GROMMET; SPLIT, COMPRESSOR
INS00306		1	INSULATION;
ISR00007		4	ISOLATOR; VIBRATION
KIT08039		4	KIT; GROMMETS. COMPRESSOR MOUNTING. (CONSISTS OF 4), 0.44 ID X 1.63 OD NEOPRENE RUBBER-BLACK 45-55 DUROMETER
NUT00355		4	NUT; HEX, LOCK, 5/16IN.-18
NUT00890		4	NUT; PALLET, 5/16-18 UNC 2B THD.
PAN02889		1	PAN; DRAIN, BLACK PVC, 35.70 X 7.75
RES00118		1	RESISTOR; THERMISTOR , 260 OHMS AT 75 DEGREE F
RES00843		1	RESISTOR; 9.750 K OHMS
SCR01510		1	SCREW; 10-16 AB HXW 1/2 SN
SCR01511		2	SCREW; 10-16 B HXW 1/2 S
SRP00093		1	STRAP;CAPACITOR
SWT03542		1	SWITCH; HIGH PRESSURE, SPST, OPEN @ 650 PSIG, CLOSE @ 500 PSIG, BRAZED
SWT03892		1	SWITCH; LOW PRESSURE, 35 PSIG OPEN, 55 PSIG RESET SWITCH
TUB01832		2	TUBE;ASSEMBLY, CROSSOVER
TUB11542		1	TUBE; RUBBER-EQUAL-TUBING, .375 DIAMETER, 25.000 LENGTH
TUB11543		1	TUBE; RUBBER-BULB-TUBING, 1.125 DIAMETER, 34.000 LENGTH
TUB13152		1	TUBE; SUCTION ASSEMBLY
TUB13949		1	TUBE; SOV SUCTION
VAL08884		1	VALVE; SWITCHOVER, 6 TON, 5/8 IN ODF X 7/8 IDF CONNECTION (INCLUDES SOLENOID COIL)
VAL11885		1	VALVE; FLOW CONTROL ASSEMBLY, INCLUDES TXV AND DISTRIBUTOR
VAL19951		1	VALVE; HXCE 6 KX - 3X4ODFX2
VAL19952		1	VALVE; HXCE 3 ZX - 3X4ODF
WAS00638		4	WASHER; FLAT, 5/16 INCH
WIR00767		2	WIRE; SPLICE
WIR04495		1	WIRE; PLUG, SCROLL COMPRESSOR, 3-WIRE (BK,OR,RD), 72 IN TOTAL LENGTH
PAN02765	1	1	PAN; DRAIN, BLACK PVC, 35.70 X 7.75
COM11769	2	1	COMPRESSOR; SCROLL; ALLIANCE; SBA051B1CPA, 4.25 TON; 51,000 BTUH; 208/230-60-1; R-410A; BRAZED; SUCTION 7/8; DISCHARGE 1/2; RLA 27.1
BOD00114	4a	3	BODY; VALVE, BRASS, 7/16 HEX, 7/16 -20 UNF-2A
TUB13267	5	1	TUBE; LIQUID LINE ASSEMBLY
TUB13600	5a	1	TUBE; LIQUID
GKT01820	6	4	GASKET; 3/4 OD X 7/16 ID X .06 THK
SEN01370	7	1	SENSOR; ASSEMBLY, 9.75 K RESISTANCE OHMS AT 75 DEG F, YELLOW WIRES, 73 IN AND 75 IN
TUB11547	8	18	TUBE; TRANSITION ASSEMBLY
TUB02810	8a	18	TUBE; TRANSITION
COL25361	9	1	COIL; OUTDOOR, SPINE FIN, 55.67 L X 41.42 W X 18.50 H
COL25346	11	1	COIL; INDOOR, FLAT FIN, 36.00 L X 20.00 H