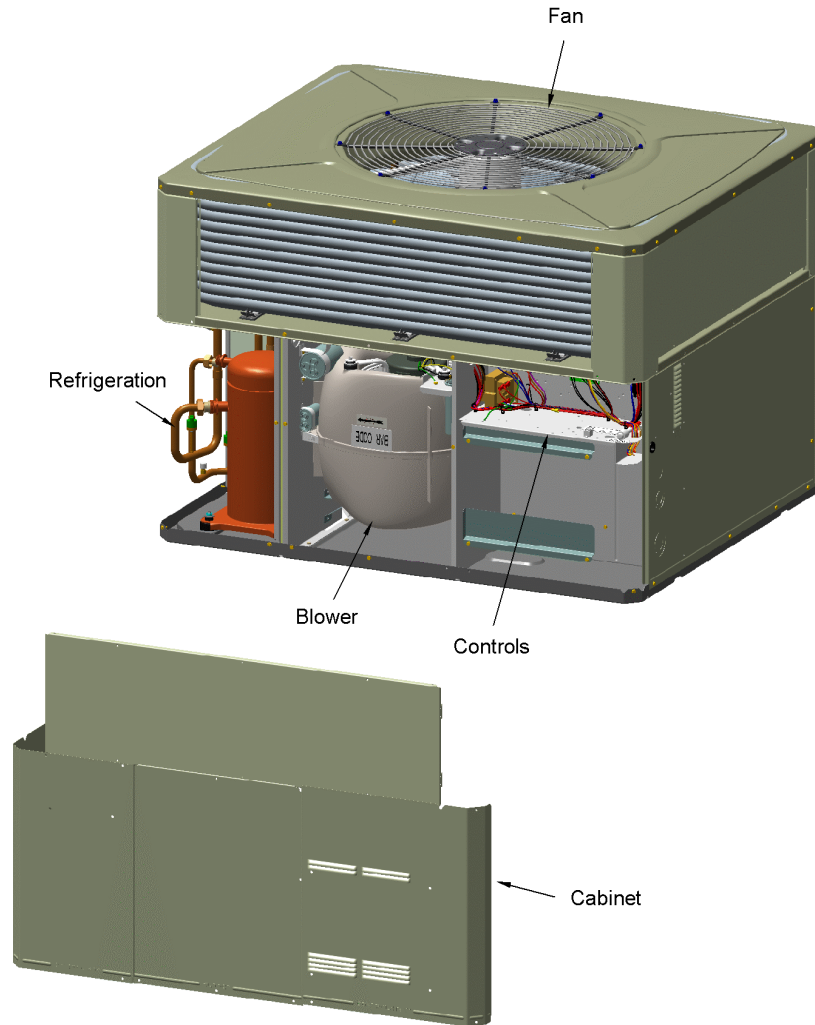


PACKAGED UNITS  
Cooling or Heat Pump  
TYPICAL ILLUSTRATION

75010714

REV.  
A

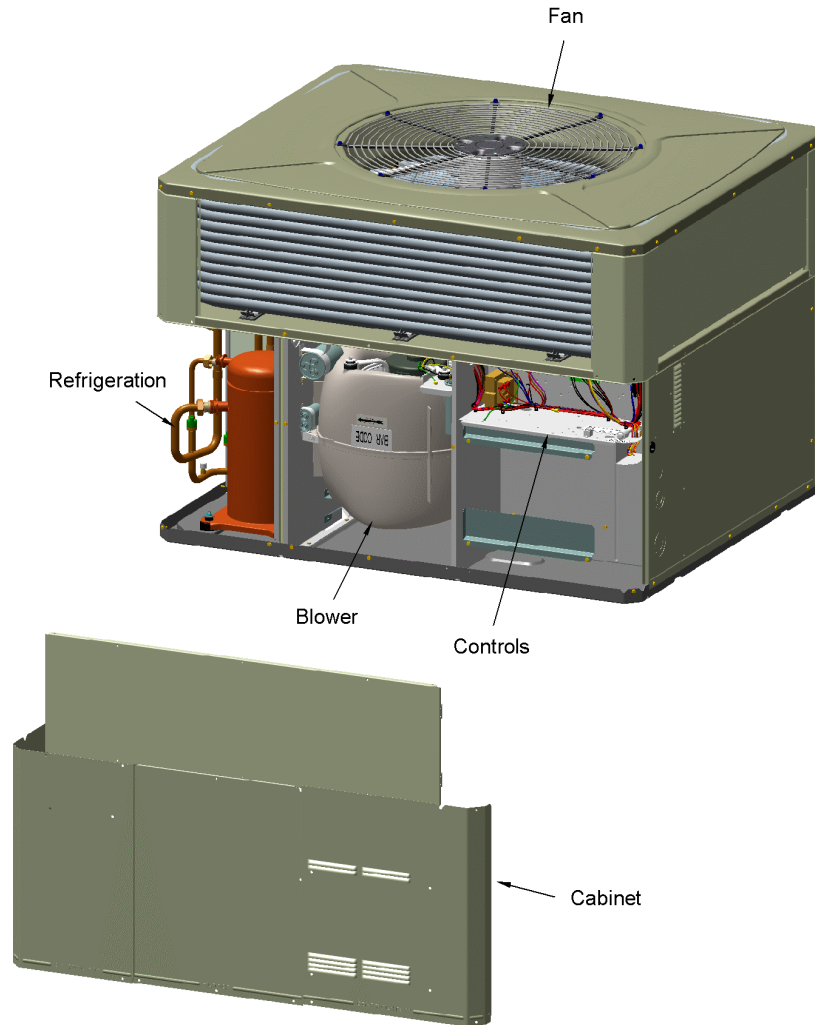


<b>Part No.</b>	<b>Reference No.</b>	<b>Quantity</b>	<b>Description</b>
75010745#4WCC4UP1~S	*		BLOWER
75010713#4WCC4UP1~S	*		CABINET - LOWER
75010703#4WCC4UP1~S	*		CABINET - UPPER
75010744#4WCC4UP1~S	*		CONTROL PANEL
75010748#4WCC4UP1~S	*		FAN
75008692#4WCC4UP1~S	*		MODEL NUMBER DESCRIPTION
NGRAPHIC#4WCC4UP1~S	*		OPTIONAL EQUIPMENT
75010672#4WCC4UP1~S	*		OUTDOOR COIL
75010714_4WCC4UP1_121718~ P	*		PACKAGED HEAT PUMP PARTS LIST
75010704#4WCC4UP1~S	*		REFRIGERATION

PACKAGED UNITS  
Cooling or Heat Pump  
TYPICAL ILLUSTRATION

75010714

REV.  
A

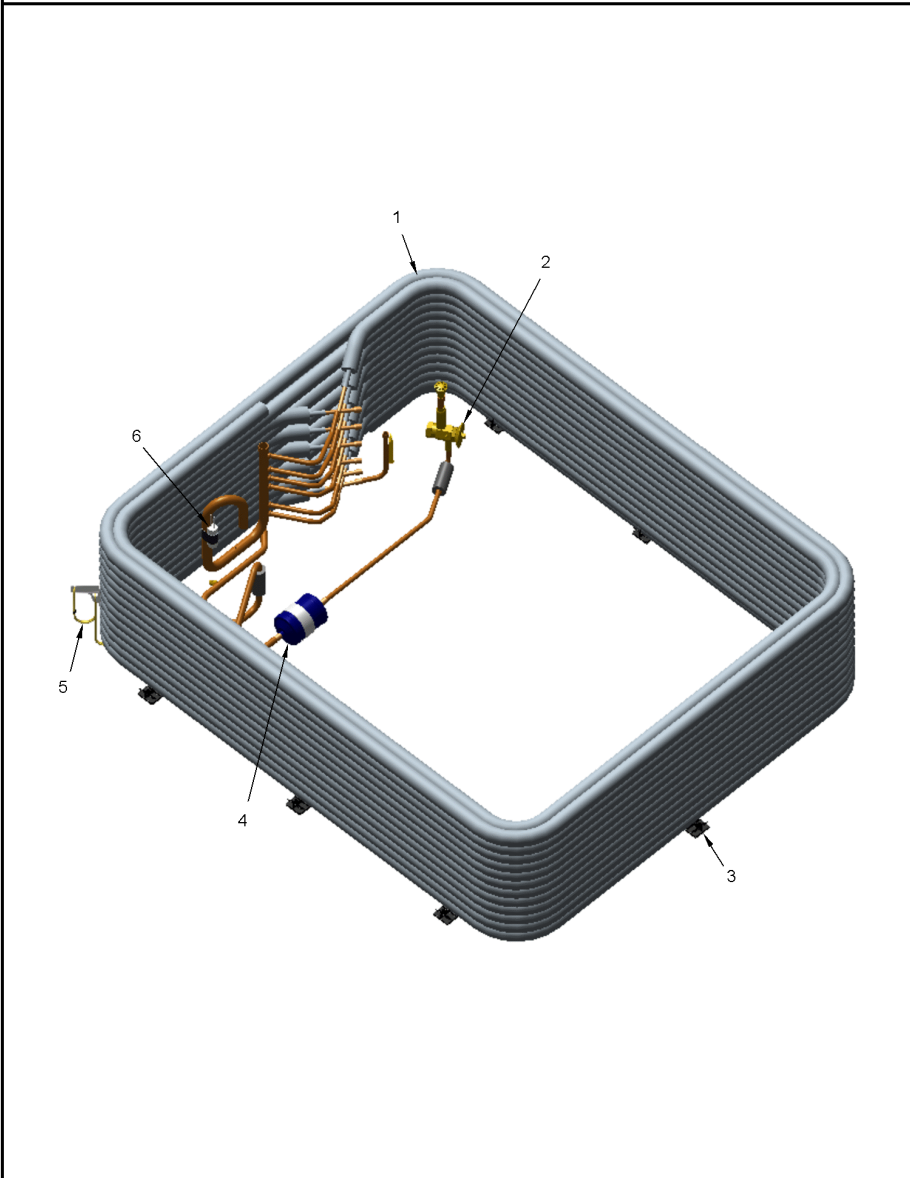


OUTDOOR COIL

75010672

REV.  
A

TYPICAL ILLUSTRATION



OUTDOOR COIL

Parts List Number :75010714#4WCC4UP1

Model Number :4WCC4060A1000AA

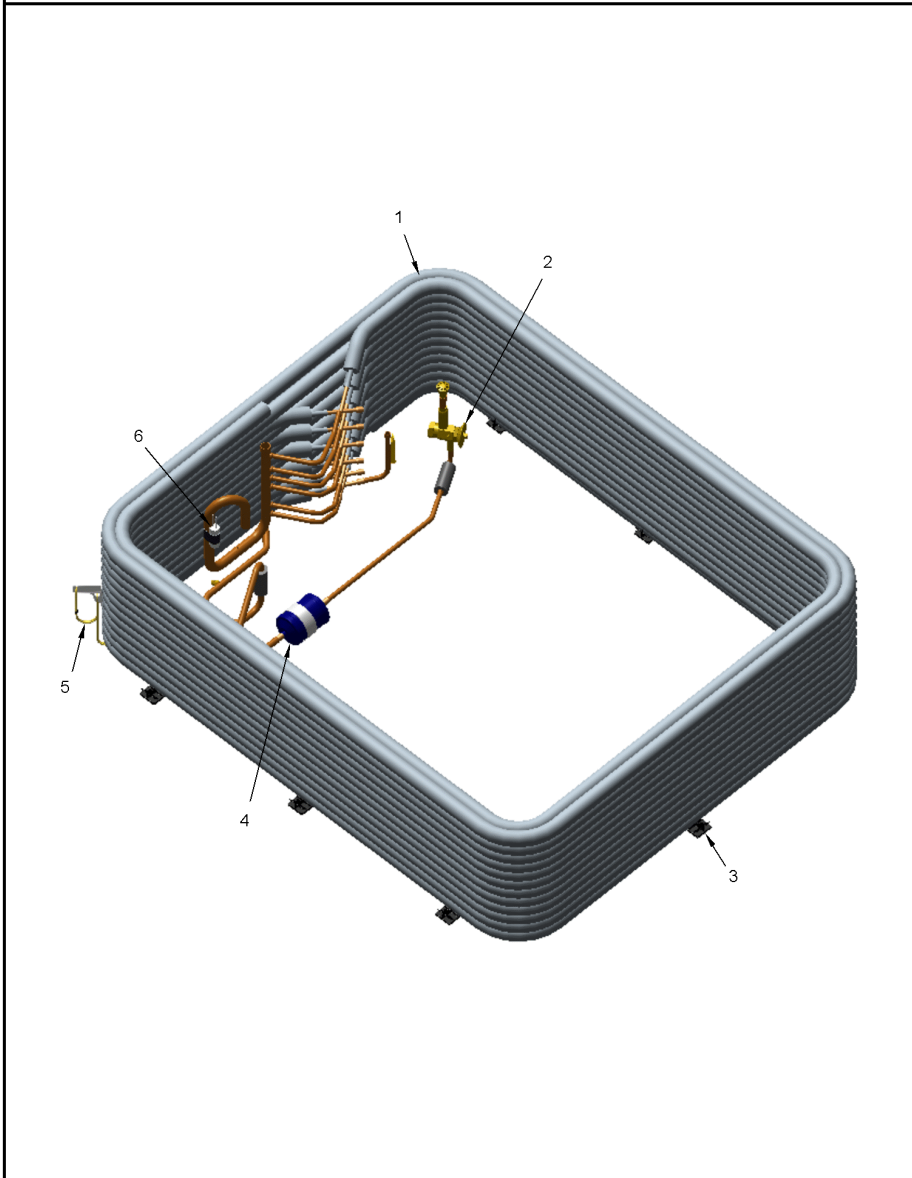
Part No.	Reference No.	Quantity	Description
75010672_4WCC4UP1_250925~ P	*		OUTDOOR COIL PARTS LIST

OUTDOOR COIL

75010672

REV.  
A

TYPICAL ILLUSTRATION



OUTDOOR COIL PARTS LIST

Parts List Number :75010714#4WCC4UP1

Model Number :4WCC4060A1000AA

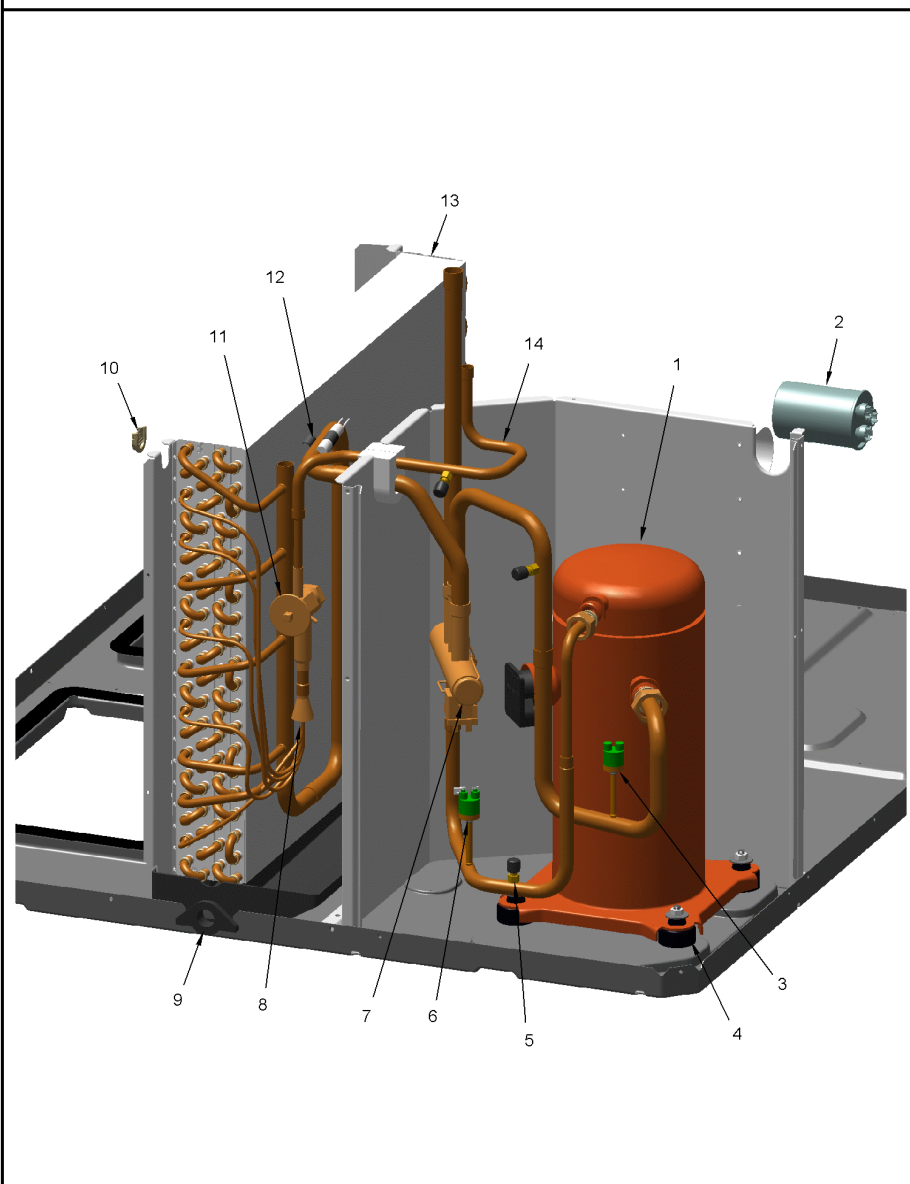
Part No.	Reference No.	Quantity	Description
COL25361	1	1	COIL; OUTDOOR, SPINE FIN, 55.67 L X 41.42 W X 18.50 H
DST00899	2	1	DISTRIBUTOR; 9 OUTLETS, 19 ODS, .50 ODM INLET, BRASS
TUB11762	2	1	TUBE; ASSEMBLY, OUTDOOR DISTRIBUTOR
VAL11885	2	1	VALVE; FLOW CONTROL ASSEMBLY, INCLUDES TXV AND DISTRIBUTOR
VAL11913	2	1	VALVE; EXPANSION, 3 TON, 3/8" INLET X 1/2" OUTLET, 200/90 PSIG, INTERNALLY CHECKED, WITH STRAINER, R410A
SPC00391	3	8	SPACER; OUTDOOR COIL, 2.50 X 1.31. INCLUDES GASKET.
DHY01451	4	1	DRIER; BI-FLOW; SERVICE FIRST; 8 CU. IN; DCB083S, 3/8 ODF CONNECTIONS; 2.3 TON CAPACITY; APPROVED FOR MINERAL OIL AND POE OIL REFRIGERANTS; MANUFACTUR
SEN01370	5	1	SENSOR; ASSEMBLY, 9.75 K RESISTANCE OHMS AT 75 DEG F, YELLOW WIRES, 73 IN AND 75 IN
CLP00296	6	1	CLIP; TXV BULB, 7/8 INCH

REFRIGERATION

75010704

REV.  
A

TYPICAL ILLUSTRATION



Parts List Number :75010714#4WCC4UP1

Model Number :4WCC4060A1000AA

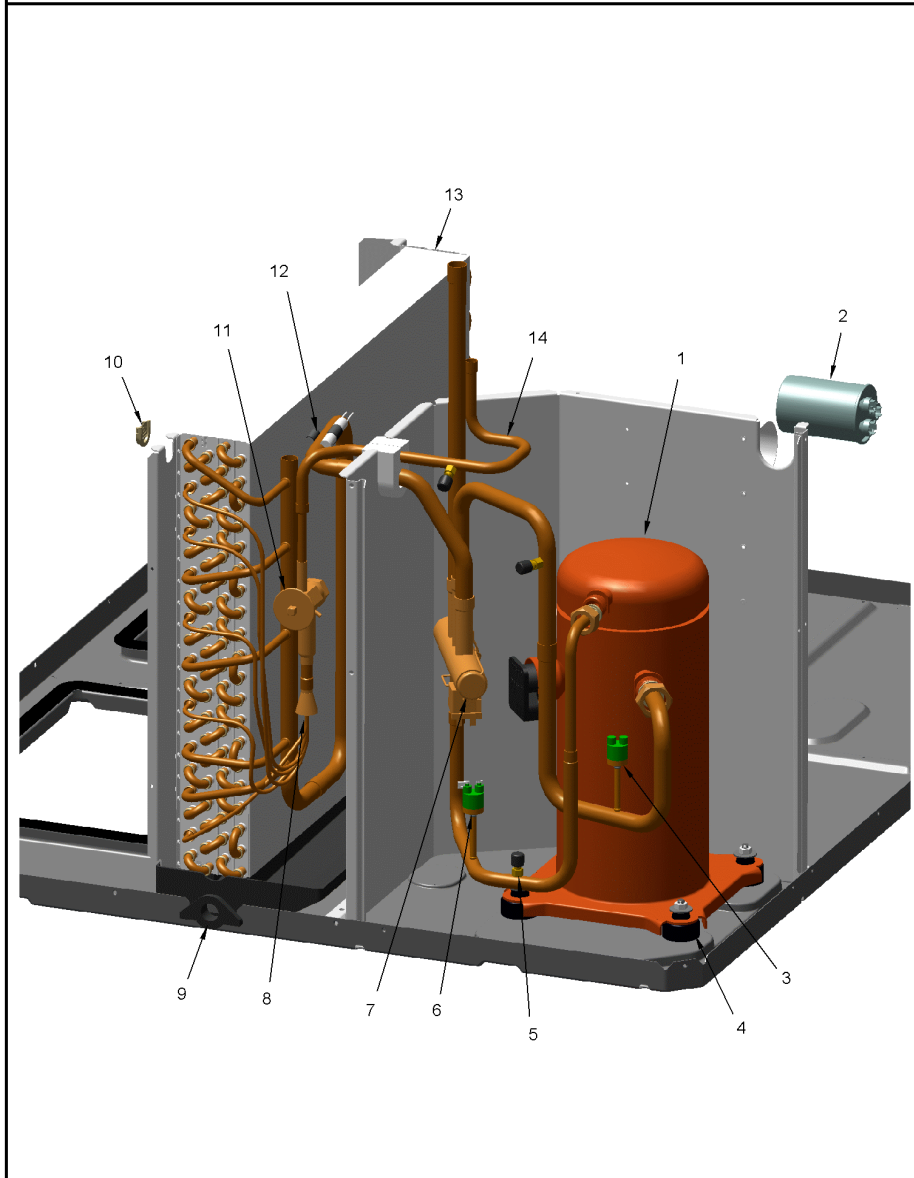
Part No.	Reference No.	Quantity	Description
75010704_4WCC4UP1_250928~ P	*		REFRIGERATION PARTS LIST

REFRIGERATION

75010704

REV.  
A

TYPICAL ILLUSTRATION



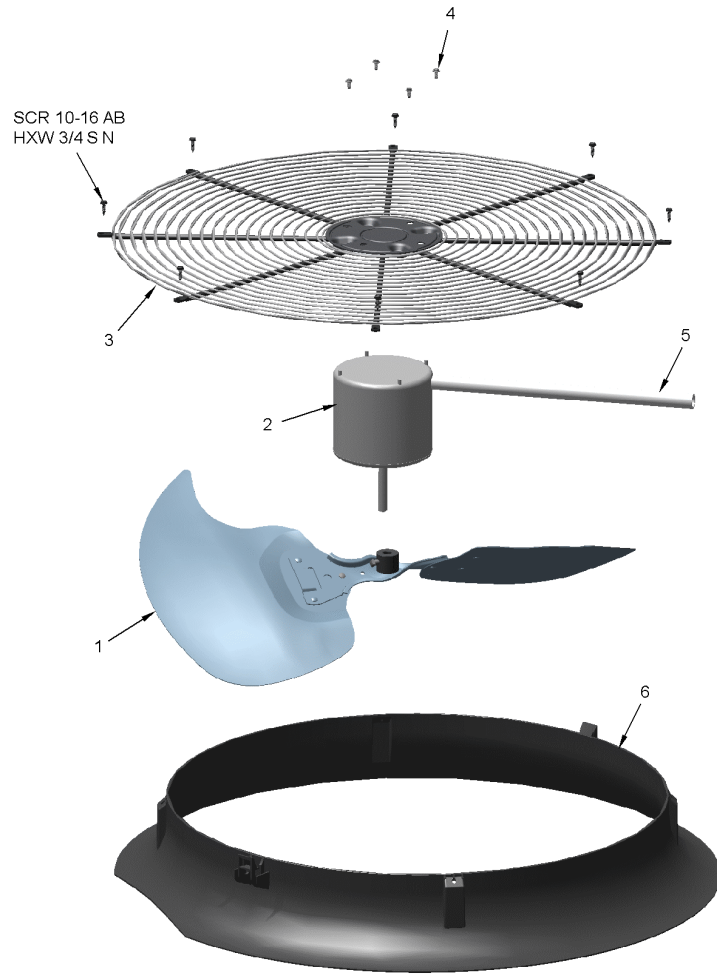
Part No.	Reference No.	Quantity	Description
TUB13152	*	1	TUBE; SUCTION ASSEMBLY
WIR04495	*	1	WIRE; PLUG, SCROLL COMPRESSOR, 3-WIRE (BK,OR,RD), 72 IN TOTAL LENGTH
COM11769	1	1	COMPRESSOR; SCROLL; ALLIANCE; SBA051B1CPA, 4.25 TON; 51,000 BTUH; 208/230-60-1; R-410A; BRAZED; SUCTION 7/8; DISCHARGE 1/2; RLA 27.1
CPT01233	2	1	CAPACITOR; 70 MFD, 440V, ROUND, W/O RESISTOR
SWT03892	3	1	SWITCH; LOW PRESSURE, 35 PSIG OPEN, 55 PSIG RESET SWITCH
BLT00809	4	4	BOLT; CARRIAGE, 5/16-18 X 1-3/4
GKT01820	4	4	GASKET; 3/4 OD X 7/16 ID X .06 THK
ISR00007	4	4	ISOLATOR; VIBRATION
NUT00355	4	4	NUT; HEX, LOCK, 5/16IN.-18
NUT00890	4	4	NUT; PALLET, 5/16-18 UNC 2B THD.
WAS00638	4	4	WASHER; FLAT, 5/16 INCH
BOD00114	5	3	BODY; VALVE, BRASS, 7/16 HEX, 7/16 -20 UNF-2A
CAP00455	5	2	CAP; HUB, 7/16-20 STRAIGHT
COR00103	5	2	CORE; VALVE, .79 LENGTH, .206-36 UNS-1 MOD. THD
SWT03542	6	1	SWITCH; HIGH PRESSURE, SPST, OPEN @ 650 PSIG, CLOSE @ 500 PSIG, BRAZED
VAL08884	7	1	VALVE; SWITCHOVER, 6 TON, 5/8 IN ODF X 7/8 IDF CONNECTION (INCLUDES SOLENOID COIL)
DST00898	8	1	DISTRIBUTOR; 8 OUTLETS, 19 ODS, .50 ODM INLET, BRASS
TUB11686	8	1	TUBE; ASSEMBLY, INDOOR DISTRIBUTOR
PAN02889	9	1	PAN; DRAIN, BLACK PVC, 35.70 X 7.75
GRM00103	10	1	GROMMET; SPLIT, COMPRESSOR
VAL11897	11	1	VALVE; FLOW CONTROL ASSEMBLY, INCLUDES TXV AND DISTRIBUTOR
VAL11912	11	1	VALVE; EXPANSION, 6 TON, 3/8" INLET X 1/2" OUTLET, 200/90 PSIG, INTERNALLY CHECKED, WITH STRAINER, R410A
CLP00296	12	1	CLIP; TXV BULB, 7/8 INCH
COL25346	13	1	COIL; INDOOR, FLAT FIN, 36.00 L X 20.00 H
TUB13267	14	1	TUBE; LIQUID LINE ASSEMBLY

FAN

75010748

REV.  
A

TYPICAL ILLUSTRATION



Parts List Number :75010714#4WCC4UP1

Model Number :4WCC4060A1000AA

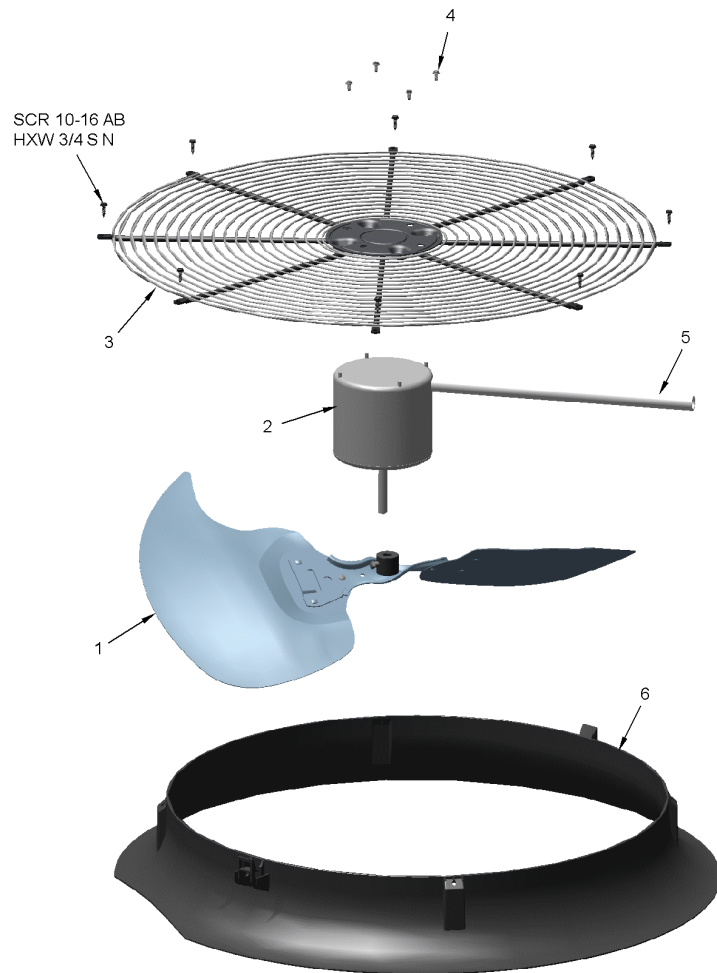
Part No.	Reference No.	Quantity	Description
75010748_4WCC4UP1_250931~ P	*		FAN PARTS LIST

FAN

75010748

REV.  
A

TYPICAL ILLUSTRATION



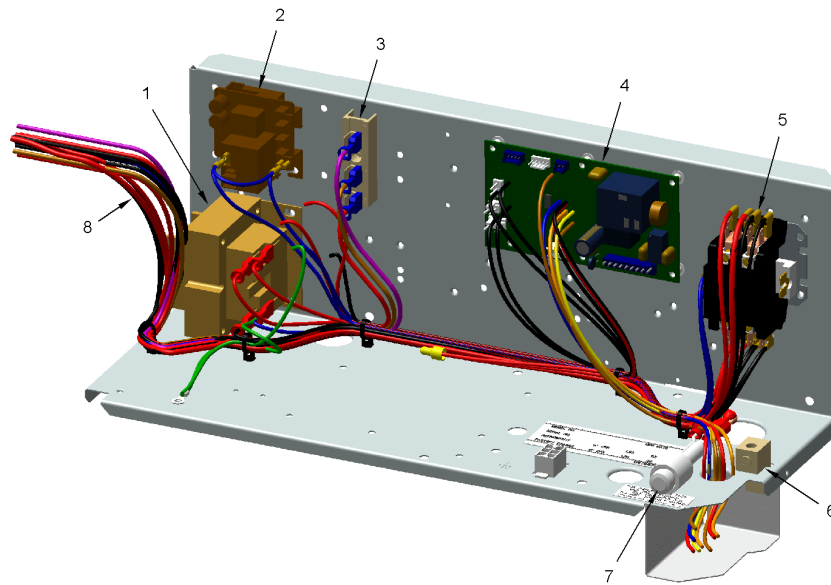
Part No.	Reference No.	Quantity	Description
FAN03907	1	1	FAN; SWEPT BLADE, 3 BLADE, ALUMINUM, 28.25" DIA, 30 DEGREES PITCH, 0.50" BORE, CCW, 1 SET SCREW-STEEL, FINISH/PAINT
MOT13834	2	1	MOTOR; OUTDOOR, 1/3 HP, 200-230/60/1, 825 RPM, TYPE PSC, CCW, BALL BEARINGS, 10 MFD CPT AT 370V
GRL01530	3	1	GRILL; OUTDOOR FAN, 30.64 IN MOUNTING DIA
SCR02086	4	4	SCREW; 10-32 TR-3 HXW 3/8 S
GRD01440	5	1	GUARD; TROUGH-LEAD
ORF01443	6	1	ORIFICE; INLET, 34.12 OUTSIDE DIA, 28.28 INSIDE DIA

CONTROL PANEL

75010744

REV.  
A

TYPICAL ILLUSTRATION



Parts List Number :75010714#4WCC4UP1

Model Number :4WCC4060A1000AA

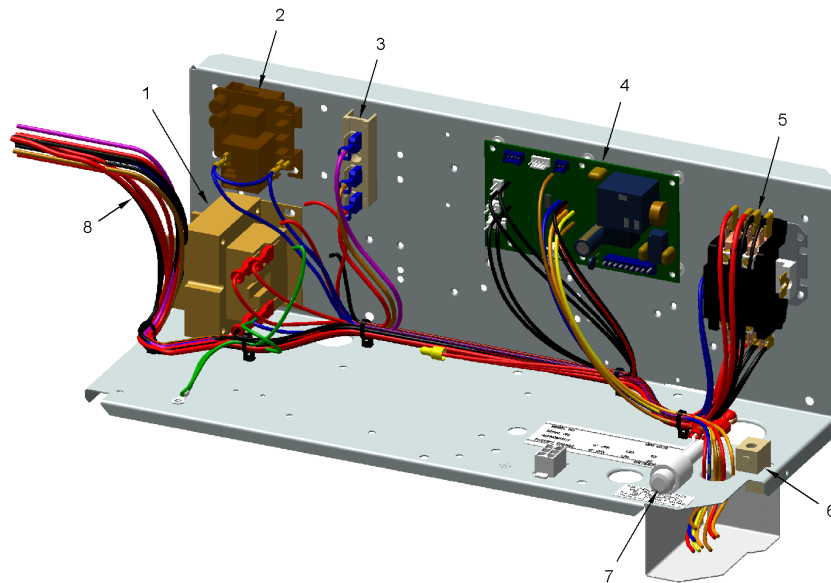
Part No.	Reference No.	Quantity	Description
75010744_4WCC4UP1_250929~ P	*		CONTROL PANEL PARTS LIST

CONTROL PANEL

75010744

REV.  
A

TYPICAL ILLUSTRATION



Part No.	Reference No.	Quantity	Description
CON00211	*	1	CONNECTOR; POLARIZED, 9 PIN
CON00251	*	2	CONNECTOR; WIRE
RCT00062	*	1	RECEPTACLE; CONNECTOR, 6 PIN, POLARIZED, MALE
RES00118	*	1	RESISTOR; THERMISTOR , 260 OHMS AT 75 DEGREE F
SCR01000	*	1	SCREW; 6-20 B PH 1/2 S
SCR01924	*	4	SCREW; 6-32 X .75, THREAD ROLLING SCREWS-ZINC PLATED, HEX WASHER
SEN01510	*	1	SENSOR; ASSEMBLY-AMBIENT, 83/85 IN LENGTH WIRES
TRR01558	1	1	TRANSFORMER; 75VA, 200/230V PRI, 24V SEC, QUICK CONNECTS
RLY01384	2	1	RELAY; 240/480V, 24V COIL
BRD00385	3	1	BOARD; TERMINAL, FAN, 24V, 3 POLE
CNT07360	4	1	CONTROL; TOP ASSY DEFROST
CTR01333	5	1	CONTACTOR; 2 POLE, NO, 40 FLA AT 240V, 50/60 HZ, 50 RES AMPS, 24V COIL, 40 FLA AT 277/480/600V
LUG00014	6	1	LUG, GROUND
FUS01776	7	1	FUSE; 3.2 AMP, WITH HOLDER AND QUICK CONNECTS
WIR07747	8	1	WIRE; HARNESS, CONTROLS

BLOWER

75010745

REV  
A

TYPICAL ILLUSTRATION



Part No.	Reference No.	Quantity	Description
75010745_4WCC4UP1_250930~ P	*		BLOWER PARTS LIST

BLOWER

75010745

REV  
A

TYPICAL ILLUSTRATION

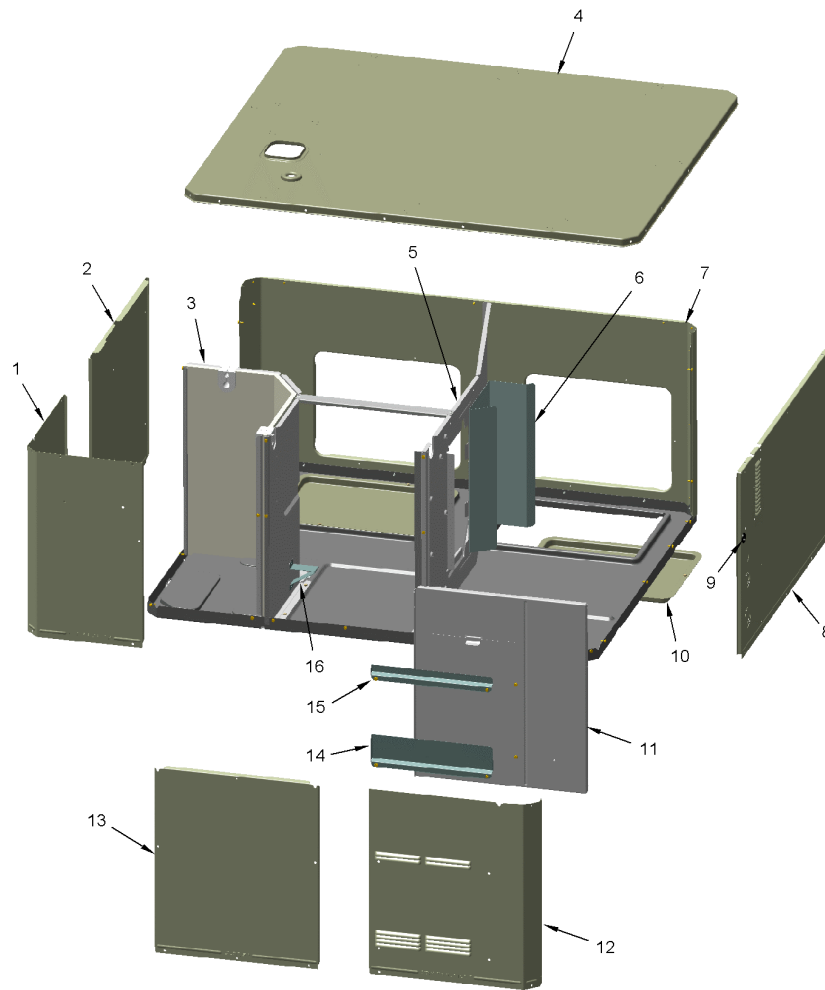


Part No.	Reference No.	Quantity	Description
BLW01352	*	1	BLOWER; ASM
CPT00088	*	1	CAPACITOR; RUN, 10 MFD, 440V OVAL, W/O RESISTOR
MOT16980	1	1	MOTOR; PROGRAMMED
SCR02112	2	4	SCREW; ASSEMBLY-MOTOR MOUNT
BRK03543	3	1	BRACKET; BLOWER RETAINER, 4.32 X 5.64
SCR00998	4	1	SCREW; 10-16 B HXW 1/2 S
SCR00968	5	1	SCREW; 10-16 HEX WASHER, TYPE B, THREAD FORMING SCREW, 0.31 THREAD LENGTH, STEEL W/ZINC FINISH
NUT00487	6	1	NUT; STEEL HEX, 1/4-20
SCR01584	6	1	BOLT; 1/4-20 MA HX 1.5 S
WAS00646	6	1	WASHER; STEEL SPRING LOCK, 1/4 INCH
BND00026	7	1	BAND; MOTOR MOUNT
BRK03396	8	4	BRACKET; ARM-MOTOR
WHL02557	9	1	WHEEL; BLOWER, 53 BLADES, CCW, CONCAVE DISC, 11.75 X 10.62
HUS03824	10	1	HOUSING; BLOWER LEFT SIDE WITH 4 MOUNTING HOLES, MOLDED GLASS FIBER POLYESTER, COLOR: NATURAL
CLP01088	11	4	CLIP; CLEAT-BLOWER
HUS03825	12	1	HOUSING; BLOWER RIGHT SIDE WITHOUT MOUNTING HOLES, MOLDED GLASS FIBER POLYESTER, COLOR: NATURAL

CABINET  
LOWER - INDOOR  
TYPICAL ILLUSTRATION

75010713

REV.  
A

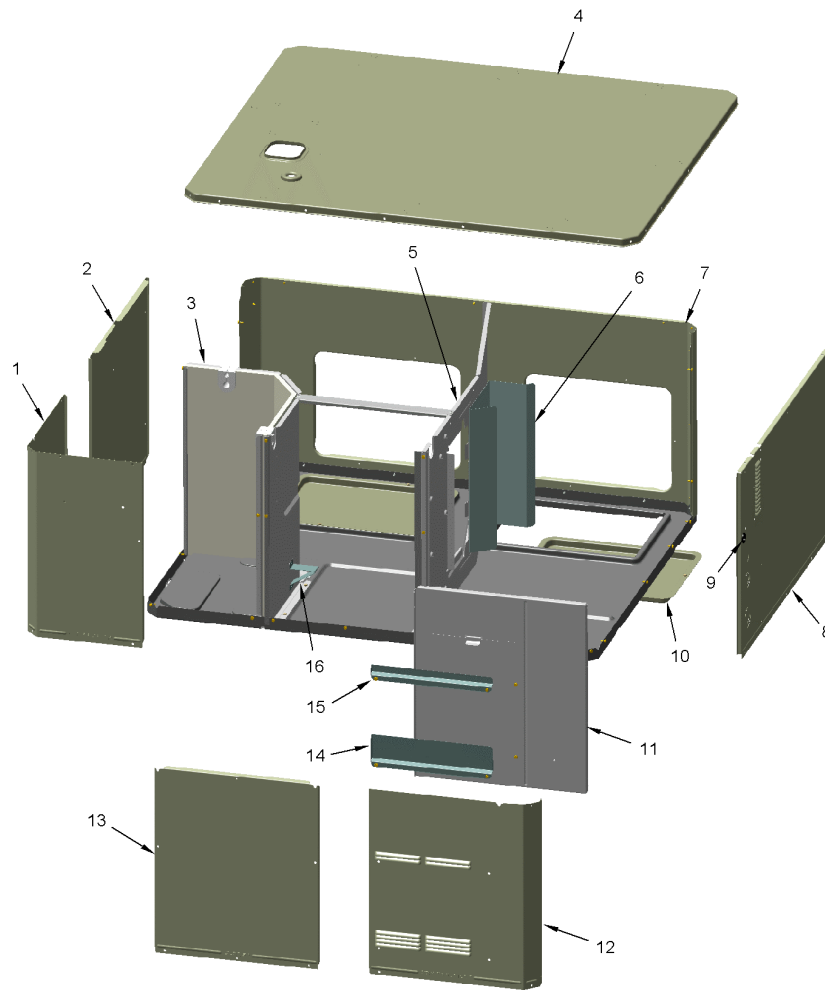


Part No.	Reference No.	Quantity	Description
75010713_4WCC4UP1_121736~ P	*		CABINET - LOWER PARTS LIST

CABINET  
LOWER - INDOOR  
TYPICAL ILLUSTRATION

75010713

REV.  
A

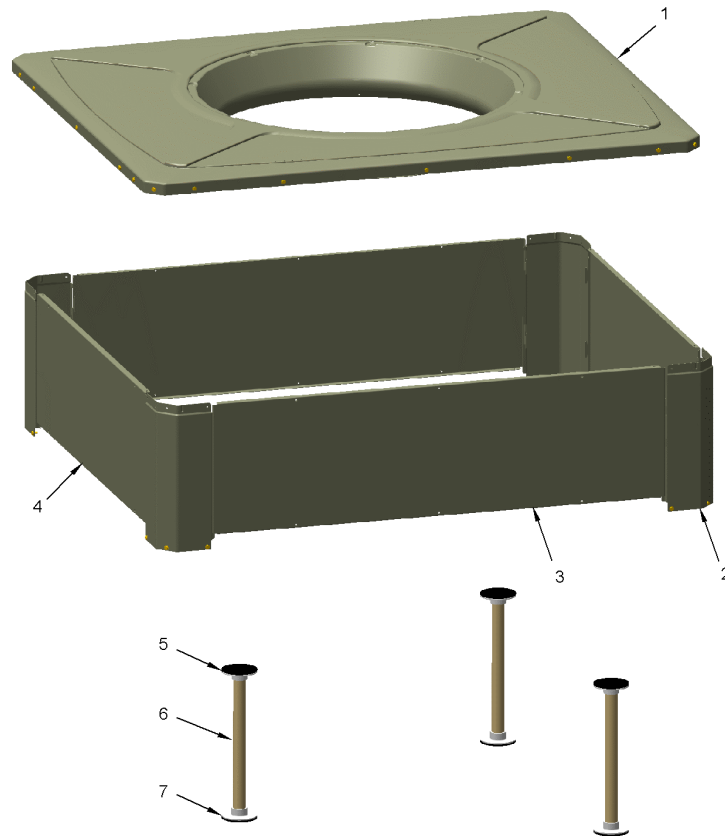


Part No.	Reference No.	Quantity	Description
BRK03544	*	1	BRACKET; BLOWER SUPPORT, U-SHAPED, 3.00 X 2.00 X 2.83
PAI00074	*	1	PAINT; SPRAY, SLATE GREY, FULL GLOSS(88) (SHIPPING UOM 12 OZ HAZ)
PLT04112	*	1	PLATE; APPEARANCE NAMEPLATE, TRANE, 7.5 X 1.8
SCR01510	*	52	SCREW; 10-16 AB HXW 1/2 SN
SHD00397	*	1	SHIELD; LOUVER, TOP, 5.0 X 1.9
PNL21998	1	1	PANEL; COMPRESSOR ACCESS, 20.7 X 12.7 & 20.7 X 15.5
PNL22040	2	1	PANEL; INDOOR COIL ACCESS, 25.42 X 20.70
PNL28755	3	1	PANEL; COMPRESSOR BARRIER, 27.22 W X 21.15 H
COV03697	4	1	COVER; INDOOR, TOP, 58.33 X 44.08
PNL26625	5	1	PANEL; BLOWER BARRIER, 44.05 X 21.15
BAF01378	6	1	BAFFLE; AIR, 16.00 X 8.50
PNL22193	7	1	PANEL; SUPPLY AND RETURN, 58.13 X 20.88
PNL22037	8	1	PANEL; ELECTRIC HEAT ACCESS, 38.49 X 20.91
GRM00118	9	1	GROMMET; 3/16 IN ID, NEOPRENE
COV03699	10	2	COVER; SUPPLY AND RETURN, 17.88 X 14.88
PLT04182	11	1	PLATE; ELECTRIC HEATER, 21.15 x 18.30. INCLUDES BARRIER AND PLATE
SCR01510	11	12	SCREW; 10-16 AB HXW 1/2 SN
PNL22041	12	1	PANEL; CONTROL/HEAT ACCESS, 17.93 X 20.70
PNL22014	13	1	PANEL; BLOWER ACCESS, 27.36 X 20.70
SHD00395	14	1	SHIELD; LOUVER, CONTROL ACCESS PANEL, 12.95 X 3.40
SHD00396	15	1	SHIELD; LOUVER, CONTROL ACCESS PANEL, 12.95 X 1.50

CABINET  
UPPER - OUTDOOR  
TYPICAL ILLUSTRATION

75010703

REV.  
A

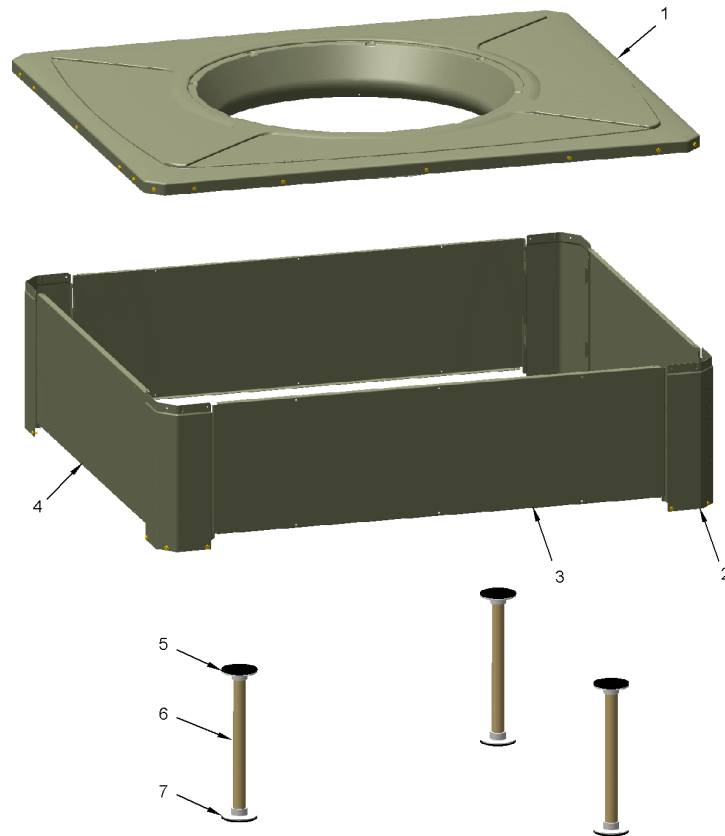


Part No.	Reference No.	Quantity	Description
75010703_4WCC4UP1_250927~ P	*		CABINET - UPPER PARTS LIST

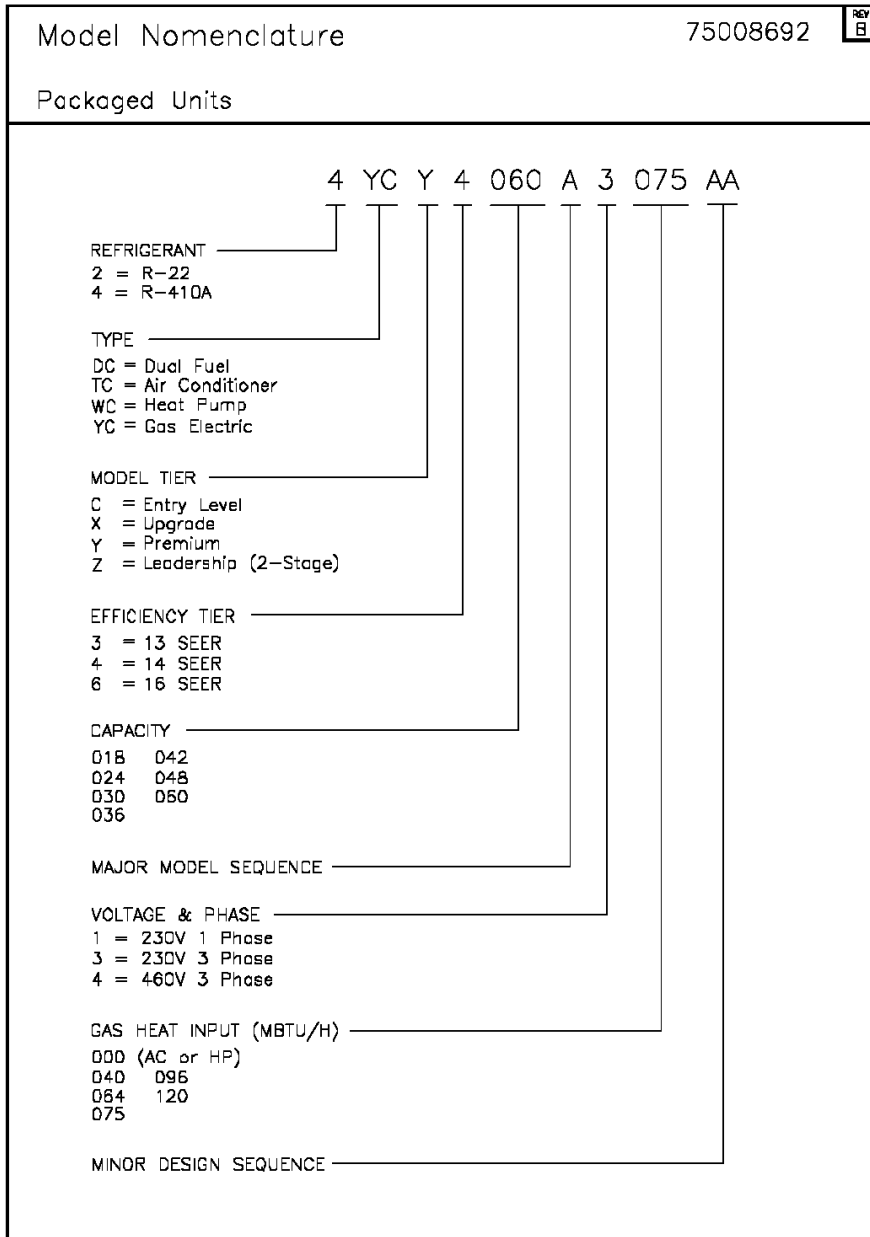
CABINET  
UPPER - OUTDOOR  
TYPICAL ILLUSTRATION

75010703

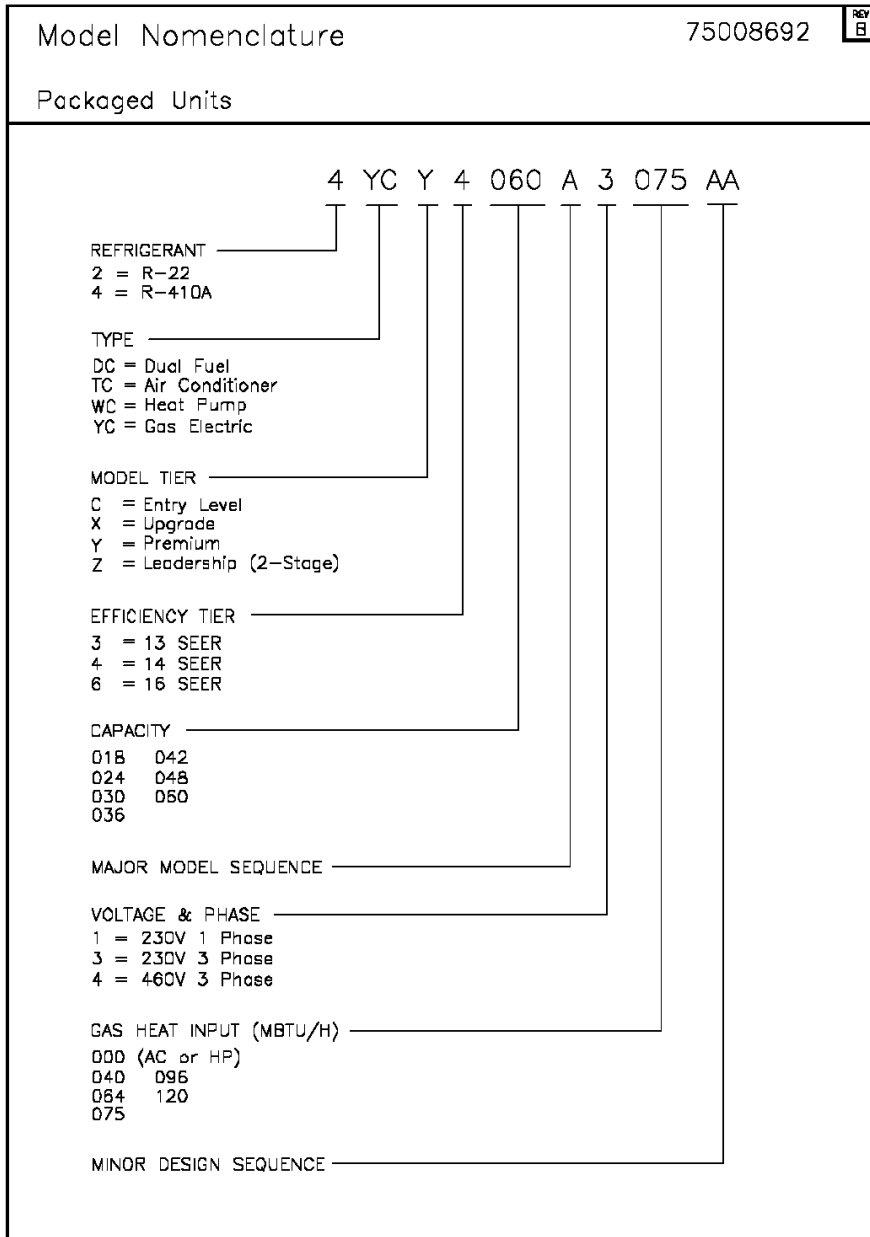
REV.  
A



<b>Part No.</b>	<b>Reference No.</b>	<b>Quantity</b>	<b>Description</b>
SCR01510	*	24	SCREW; 10-16 AB HXW 1/2 SN
SCR01511	*	12	SCREW; 10-16 B HXW 1/2 S
COV03695	1	1	COVER; OUTDOOR, TOP, 58.33 X 44.08
PNL22004	2	4	PANEL; CORNER POST, 17.84 H
PNL22009	3	2	PANEL; METAL LOUVER, 49.25 X 17.40
PNL22005	4	2	PANEL; METAL LOUVER, 35.00 X 17.40
SUP05919	5	3	SUPPORT; OUTDOOR COIL, 3.0 DIA, WITH GASKET
TUB12257	6	3	TUBE; SUPPORT, TOP PIPE, .75 DIA, SCHEDULE 40 GREY PVC, 18.46 INCHES
SUP05918	7	3	SUPPORT; OUTDOOR COIL, 3.0 DIA, WITH GASKET



Part No.	Reference No.	Quantity	Description
75008692_4WCC4UP1_121720~ P	*		MODEL NUMBER DESCRIPTION PARTS LIST



OPTIONAL EQUIPMENT

Parts List Number :75010714#4WCC4UP1

Model Number :4WCC4060A1000AA

Part No.	Reference No.	Quantity	Description
NGRAPHIC_4WCC4UP1_121741 ~P	*		OPTIONAL EQUIPMENT PARTS LIST

NO GRAPHIC AVAILABLE

75013702

REV  
A

**NO  
GRAPHIC  
AVAILABLE**

Part No.	Reference No.	Quantity	Description
BAYUV102A	*	1	36 WATT UV LIGHT KIT FOR MEDIUM PACKAGED UNITS
ECN00112	*	1	ECONOMIZER; DOWN DISCHARGE, AND RAIN HOOD(BAYECON102AA)
ECN00114	*	1	ECONOMIZER; HORIZONTAL (BAYECON201AA)
HTR15949	*	1	HEATER; ELECTRIC, 3.76/5.0 KW, 208/240/1 (BAYHTRV105FA)
HTR15992	*	1	HEATER; ELECTRIC, 6.0/8.0 KW, 208/240/1 (BAYHTRV108F)
KIT03361	*	1	KIT; LIFTING LUGS-BAYLIFT002B (CTN = 6 PIECES)
KIT06658	*	1	KIT; ENTHALPY CONTROL (BAYENTH001AB)
KIT13553	*	1	KIT; CURB ADAPTER (BAYADAP052AA)
KIT13554	*	1	KIT; CURB ADAPTER (BAYADAP053AA)
KIT13555	*	1	KIT; CURB ADAPTER (BAYADAP054AA)
KIT13557	*	1	KIT; CRANKCASE HEATER, 230V SCROLL COMPRESSORS (BAYCCHT102AA) 6.5-7.5 DIA, 60W, 110L
KIT13559	*	1	KIT; 12 INCH DUCT SHROUD COVERS HORIZONTAL (BAYCOVR112AA)
KIT13560	*	1	KIT; 18 INCH DUCT SHROUD COVERS HORIZONTAL (BAYCOVR118AA)
KIT13562	*	1	KIT; FULL PERIMETER ROOF MOUNTING CURB (BAYCURB051AA)
KIT13564	*	1	KIT; OUTSIDE AIR, 2 POS DAMPER (BAYDMPR102AA)
KIT13565	*	1	KIT; EXTREME CURB MOUNTING (BAYEXMK001AA)
KIT13567	*	1	KIT; EXTREME CURB MOUNTING (BAYEXMK003AA)
KIT13572	*	1	KIT; OUTSIDE AIR, MANUAL DAMPER (BAYOSAH002AA)
KIT13573	*	1	KIT; QUICK START (BAYQSTK300AA)
KIT13576	*	1	KIT; SQUARE/ROUND DUCT ADAPTER (BAYSQRD002AA)
KIT13640	*	1	KIT; LOW AMBIENT COOLING, HEAD PRESSURE CONTROL (BAYLOAM105AA)
KIT15097	*	1	KIT; FILTER FRAME (BAYFLTR201BA). USE (1) 20 X 20, PLUS (1) 20 X 18 FILTER - NOT INCLUDED.
KIT15142	*	1	KIT; ACCESS DOOR, 3-1/2 TO 5 TON MODELS (BAYACCDOR2AA)
KIT15323	*	1	KIT; EXTREME CURB MOUNTING (BAYEXMK002BA)
KIT15326	*	1	KIT; ROOF CURB UTILITY EXTENSION KIT (BAYUTIL102BA)
KIT15404	*	1	KIT; ECONOMIZER, HINGED FILTER ACCESS DOOR AND FILTER FRAME (BAYECONCOMB102A)
KIT16161	*	1	KIT; SINGLE POWER ENTRY (BAYSPEK060F)
KIT16162	*	1	KIT; SINGLE POWER ENTRY (BAYSPEK062F)
KIT16163	*	1	KIT; SINGLE POWER ENTRY (BAYSPEK063F)
THT00839	*	1	THERMOSTAT; REMOTE POTENTIOMETER, 60-90 DEG F (BAYSTAT023AA)