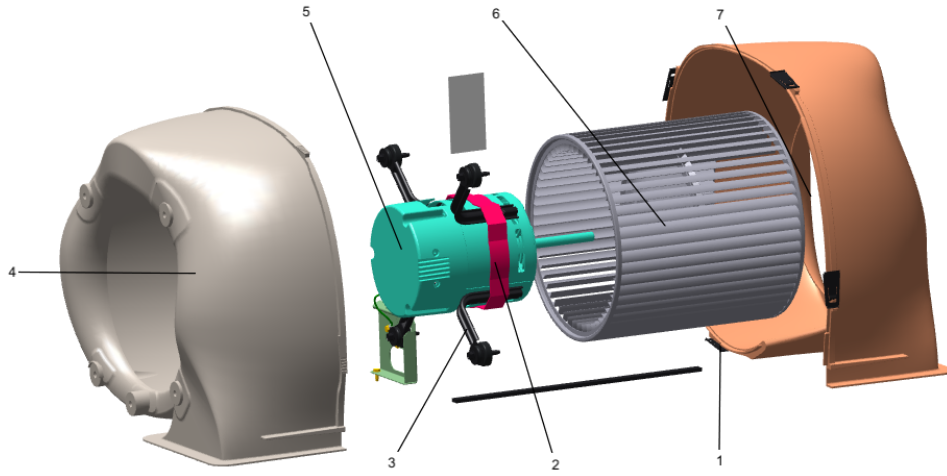


Parts List Number :0000172484

Model Number :4WCC4036E1000AA

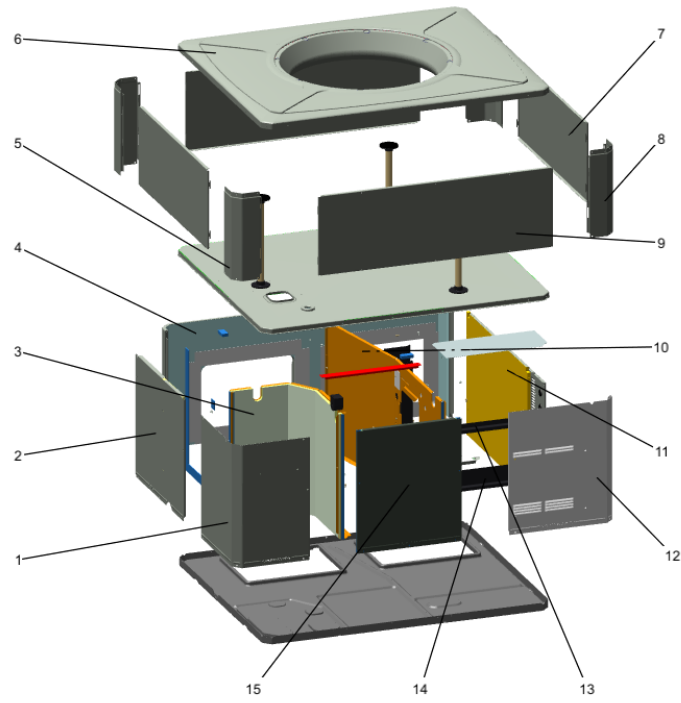
<b>Part No.</b>	<b>Reference No.</b>	<b>Quantity</b>	<b>Description</b>
0000172486~S	*		BLOWER
0000172485~S	*		CABINET
0000172488~S	*		CONTROL
0000172487~S	*		FAN
0000172490~S	*		HEAT EXCHANGER
0000172492~S	*		MODEL NUMBER DESCRIPTION
0000172489~S	*		REFRIGERATION

Part No.	Reference No.	Quantity	Description
0000037723~P	*		BLOWER PARTS LIST



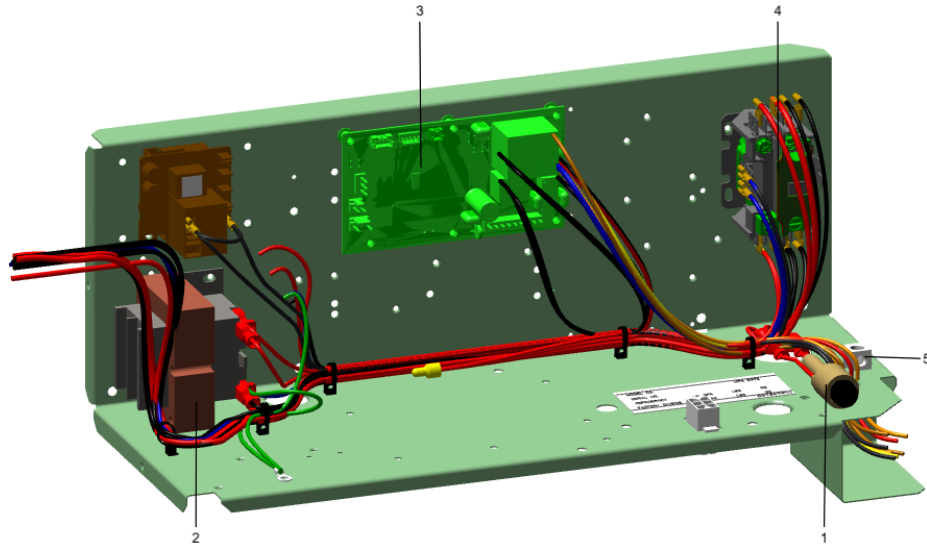
Part No.	Reference No.	Quantity	Description
BLW01731		1	BLOWER; ASM-V3
BRK03542		1	BRACKET; BLOWER RETAINER, 4.32 X 3.45
NUT01063		1	NUT; LOCKING NYLON
SCR00968		1	SCREW; 10-16 HEX WASHER, TYPE B, THREAD FORMING SCREW, 0.31 THREAD LENGTH, STEEL W/ZINC FINISH
SCR00998		1	SCREW; 10-16 B HXW 1/2 S
SCR01584		1	BOLT; 1/4-20 MA HX 1.5 S
SCR02112		4	SCREW; ASSEMBLY-MOTOR MOUNT
TIE00004		1	TIE; WIRE
CLP01123	1	4	CLIP; CLEAT-BLOWER
BND00026	2	1	BAND; MOTOR MOUNT
BRK03396	3	4	BRACKET; ARM-MOTOR
HUS03804	4	1	HOUSING; BLOWER LEFT SIDE WITH 4 MOUNTING HOLES, MOLDED GLASS FIBER POLYESTER, COLOR: NATURAL
MOT21330	5	1	MOTOR; 1/2 HP, 208-230, 1050 RPM
WHL02558	6	1	WHEEL; BLOWER, 48 BLADES, CCW, CONCAVE DISC, 10.62 X 10.68
HUS03805	7	1	HOUSING; BLOWER RIGHT SIDE WITHOUT MOUNTING HOLES, MOLDED GLASS FIBER POLYESTER, COLOR: NATURAL

Part No.	Reference No.	Quantity	Description
0000037708~P	*		CAB ASM-HP/AC



Part No.	Reference No.	Quantity	Description
BAF01378		1	BAFFLE; AIR, 16.00 X 8.50
BRK03541		1	BRACKET; BLOWER SUPPORT, V-SHAPED, 3.13 X 2.75 X 1.50
COV03698		2	COVER; SUPPLY AND RETURN, 15.88 X 11.88
GRM00118		1	GROMMET; 3/16 IN ID, NEOPRENE
INS02869		1	INSULATION; INDOOR TOP COVER, 17.5 X 7.4
PAI00074		0	PAINT; SPRAY, SLATE GREY, FULL GLOSS(88) (SHIPPING UOM 12 OZ HAZ)
SCR00981		23	SCREW, 10-16 AB HXW 1/2 S
SCR01510		75	SCREW; 10-16 AB HXW 1/2 SN
SCR01511		16	SCREW; 10-16 B HXW 1/2 S
SHD00397		1	SHIELD; LOUVER, TOP, 5.0 X 1.9
SUP05918		3	SUPPORT; OUTDOOR COIL, 3.0 DIA, WITH GASKET
SUP05919		3	SUPPORT; OUTDOOR COIL, 3.0 DIA, WITH GASKET
TUB12284		3	TUBE; SUPPORT, TOP PIPE, .75 DIA, SCHEDULE 40 GREY PVC, 14.46 INCHES
PNL21998	1	1	PANEL; COMPRESSOR ACCESS, 20.7 X 12.7 & 20.7 X 15.5
PNL22197	2	1	PANEL; SUPPLY AND RETURN, 48.41 X 20.88
PNL32041	3	2	PANEL; METAL LOUVER, 39.53 X 13.40
PNL28755	4	1	PANEL; COMPRESSOR BARRIER, 27.22 W X 21.15 H
COV03696	5	1	COVER; INDOOR, TOP, 48.61 X 41.08
COV03694	6	2	COVER; OUTDOOR, TOP, 48.61 X 41.08
PNL22013	7	1	PANEL; BLOWER ACCESS, 17.63 X 20.70
PNL22002	8	4	PANEL; CORNER POST, 13.84 H
PNL22036	9	1	PANEL; ELECTRIC HEAT ACCESS, 35.49 X 20.91
PNL32039	10	2	PANEL; METAL LOUVER, 31.99 X 13.40
PNL22041	11	1	PANEL; CONTROL/HEAT ACCESS, 17.93 X 20.70
PNL26584	12	1	PANEL; BLOWER BARRIER, 41.05 X 21.15
SHD00396	13	1	SHIELD; LOUVER, CONTROL ACCESS PANEL, 12.95 X 1.50
SHD00395	14	1	SHIELD; LOUVER, CONTROL ACCESS PANEL, 12.95 X 3.40
PNL22039	15	1	PANEL; INDOOR COIL ACCESS, 22.42 X 20.70

Part No.	Reference No.	Quantity	Description
0000039772~P	*		CONTROL BOX PARTS LIST



Part No.	Reference No.	Quantity	Description
CON00251	*	2	CONNECTOR; WIRE
RCT00062	*	1	RECEPTACLE; CONNECTOR, 6 PIN, POLARIZED, MALE
RES00118	*	1	RESISTOR; THERMISTOR , 260 OHMS AT 75 DEGREE F
RES00843	*	1	RESISTOR; 9.750 K OHMS
RLY01384	*	1	RELAY; 240/480V, 24V COIL
SEN01510	*	1	SENSOR; ASSEMBLY-AMBIENT, 83/85 IN LENGTH WIRES
WIR00767	*	2	WIRE; SPLICE
WIR07794C	*	5	(X19210028130) TIE; WIRE NYLON 7.78 INCH 50 LB. .184" W
WIR12093	*	1	WIRE; HARNESS-CONTROL
FUS01776	1	1	FUSE; 3.2 AMP, WITH HOLDER AND QUICK CONNECTS
TRR01558	2	1	TRANSFORMER; 75VA, 200/230V PRI, 24V SEC, QUICK CONNECTS
CNT09325	3	1	CONTROL; DEFROST
CTR02994	4	1	CONTACTOR; 1 POLE + SHUNT, NO, 40 FLA AT 240V, 50/60 HZ, 40 RES AMPS, 32V COIL, 40 FLA AT 240/277/480/600V
CON00077	5	1	CONNECTOR, ELECTRIC GROUND, 14-2 AWG SOLDERLESS

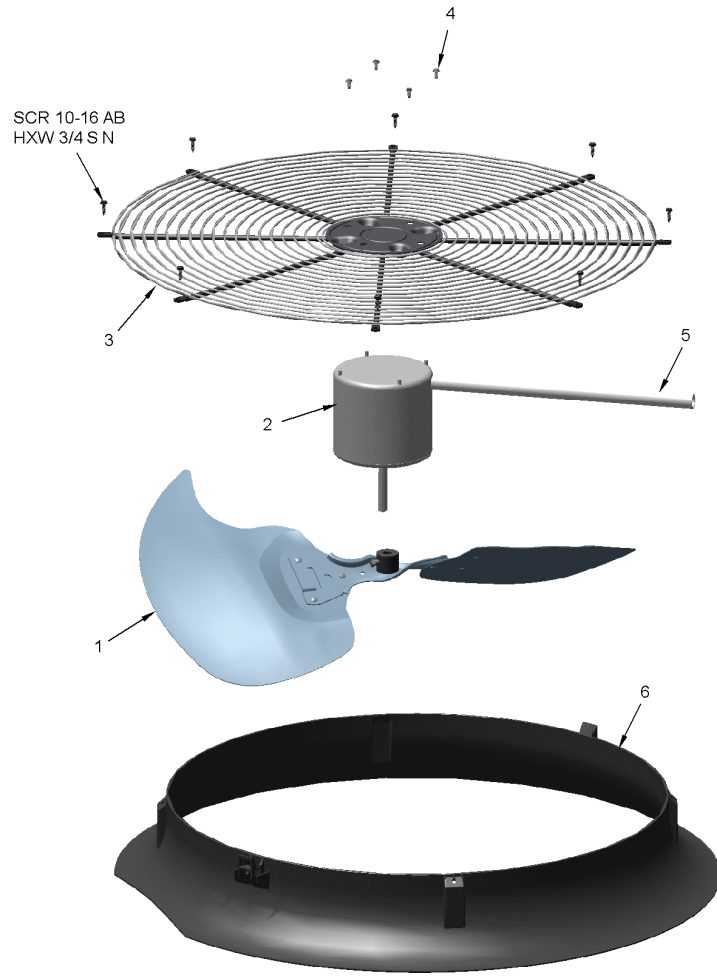
Part No.	Reference No.	Quantity	Description
0000037535~P	*		FANS PARTS LIST

FAN

75010748

REV.  
A

TYPICAL ILLUSTRATION



Part No.	Reference No.	Quantity	Description
FAN03995	1	1	FAN; SWEPT BLADE, 2 BLADE, ALUMINUM, 23.4 IN DIA, 32 DEGREES PITCH, .50 IN BORE, CCW, 1 SET SCREW-STEEL
MOT13832	2	1	MOTOR; OUTDOOR, 1/5 HP, 200-230/60/1, 825 RPM, TYPE PSC, CCW, SLEEVE BEARINGS, 5 MFD CPT AT 370V
GRL01529	3	1	GRILL; OUTDOOR FAN, 26.0 IN MOUNTING DIA
SCR02086	4	4	SCREW; 10-32 TR-3 HXW 3/8 S
GRD01633	6	1	GUARD; TROUGH-LEAD

Part No.	Reference No.	Quantity	Description
0000037796~P	*		HEAT EXCHANGER PARTS LIST

<b>Part No.</b>	<b>Reference No.</b>	<b>Quantity</b>	<b>Description</b>
PLT04182	*	1	PLATE; ELECTRIC HEATER, 21.15 x 18.30. INCLUDES BARRIER AND PLATE
SCR01510	*	12	SCREW; 10-16 AB HXW 1/2 SN

Part No.	Reference No.	Quantity	Description
0000026530~P	*		MODEL NUMBER DESCRIPTION

MODEL NUMBER DESCRIPTION  
PACKAGED UNITS

75011470

REV  
C

*Example Model Number:*  
**4 Y C Y 5 0 4 8 A 1 0 9 0 A A**  
1 - - - 5 - - - 10 - - - 15

**Digit 1 – Refrigerant**  
4 = R-410A

**Digit 2 – Type**  
Y = Gas Electric  
W = Heat Pump  
D = Dual Fuel  
T = Air Conditioner

**Digit 3 – Model Tier**  
C = Convertible  
H = Horizontal (only)

**Digit 4 – Model Tier**  
C = Entry Level  
X = Upgrade  
Y = Premium  
Z = Leadership - (2-Stage)  
A = RunTru Brand

**Digit 5 – Efficiency Tier**  
3 = 13 SEER  
4 = 14 SEER  
5 = 15 SEER  
6 = 16 SEER

**Digits 6,7,8 – Capacity in 1000's (BTUH)**  
018      042  
024      048  
030      060  
036

**Digit 9 – Major Design Change**

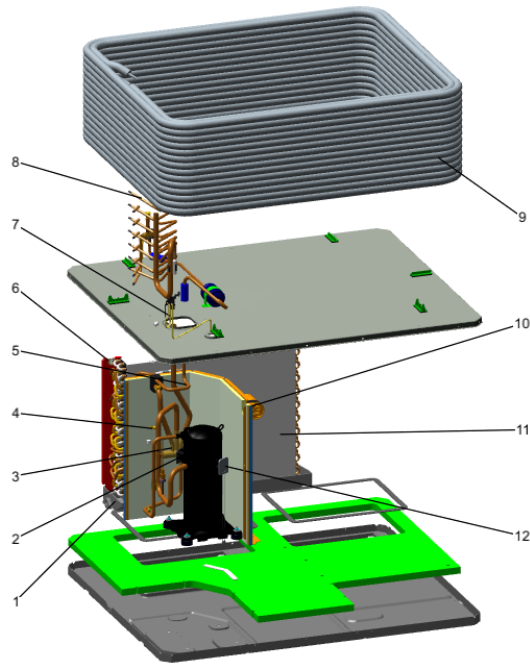
**Digit 10 – Voltage & Phase**  
1 = 230V 1 Phase  
3 = 230V 3 Phase  
4 = 460V 3 Phase

**Digit 11,12,13 – Gas Heat Input (MBTU/H)**  
000 (AC or HP)    075  
040                    096  
064                    120

**Digit 14 – Minor Design Change**

**Digit 15 – Service Digit - Not Orderable**

Part No.	Reference No.	Quantity	Description
0000037822~P	*		REFRIGERATION PARTS LIST



Part No.	Reference No.	Quantity	Description
BLT00809	*	4	BOLT; CARRIAGE, 5/16-18 X 1-3/4
CAP00455	*	3	CAP; HUB, 7/16-20 STRAIGHT
CLP00223	*	2	CLIP; BULB
CON00251	*	3	CONNECTOR; WIRE
COR00103	*	3	CORE; VALVE, .79 LENGTH, .206-36 UNS-1 MOD. THD
DST00895	*	1	DISTRIBUTOR; 5 OUTLETS, 19 ODS, .50 ODM INLET, BRASS
DST00897	*	1	DISTRIBUTOR; 7 OUTLETS, 19 ODS, .50 ODM INLET, BRASS
GRM00103	*	1	GROMMET; SPLIT, COMPRESSOR
INS00306	*	1	INSULATION;
ISR00007	*	4	ISOLATOR; VIBRATION
KIT08039	*	4	KIT; GROMMETS. COMPRESSOR MOUNTING. (CONSISTS OF 4), 0.44 ID X 1.63 OD NEOPRENE RUBBER-BLACK 45-55 DUROMETER
NUT00355	*	4	NUT; HEX, LOCK, 5/16IN.-18
NUT00890	*	4	NUT; PALLET, 5/16-18 UNC 2B THD.
PAN02888	*	1	PAN; DRAIN, BLACK PVC, 29.58 X 7.75
RES00118	*	1	RESISTOR; THERMISTOR , 260 OHMS AT 75 DEGREE F
RES00843	*	1	RESISTOR; 9.750 K OHMS
SCR01510	*	1	SCREW; 10-16 AB HXW 1/2 SN
SCR01511	*	2	SCREW; 10-16 B HXW 1/2 S
SRP00093		1	STRAP;CAPACITOR
SWT03542		1	SWITCH; HIGH PRESSURE, SPST, OPEN @ 650 PSIG, CLOSE @ 500 PSIG, BRAZED
SWT03892		1	SWITCH; LOW PRESSURE, 35 PSIG OPEN, 55 PSIG RESET SWITCH
TUB11542		1	TUBE; RUBBER-EQUAL-TUBING, .375 DIAMETER, 25.000 LENGTH
TUB11543		1	TUBE; RUBBER-BULB-TUBING, 1.125 DIAMETER, 34.000 LENGTH
TUB13267		1	TUBE; LIQUID LINE ASSEMBLY
TUB13914		1	TUBE; ASSEMBLY, DISCHARGE, INCLUDES HPCO
VAL08882		1	VALVE; SWITCHOVER, 4 TON (INCLUDES SOLENOID COIL)
VAL11882		1	VALVE; FLOW CONTROL ASSEMBLY, INCLUDES TXV AND DISTRIBUTOR
VAL19947		1	VALVE; HXCE 2 ZX200
WAS00638		4	WASHER; FLAT, 5/16 INCH
WIR00767		2	WIRE; SPLICE
WIR04493		1	WIRE; PLUG, SCROLL COMPRESSOR
PAN02764	1	1	PAN; DRAIN, BLACK PVC, 29.58 X 7.75
COM11766	2	1	COMPRESSOR; SCROLL; ALLIANCE; SBA031C1CPZ; 2.5 TON; 42,500 BTUH; 208/230-60-1; R-410A; BRAZED; SUCTION 3/4; DISCHARGE 1/2; RLA 17.1
BOD00114	4a	3	BODY; VALVE, BRASS, 7/16 HEX, 7/16 -20 UNF-2A
TUB13600	5	1	TUBE; LIQUID
GKT01820	6	4	GASKET; 3/4 OD X 7/16 ID X .06 THK
SEN01370	7	1	SENSOR; ASSEMBLY, 9.75 K RESISTANCE OHMS AT 75 DEG F, YELLOW WIRES, 73 IN AND 75 IN
TUB11547	8	14	TUBE; TRANSITION ASSEMBLY
TUB02810	8a	14	TUBE; TRANSITION
COL25356	9	1	COIL; OUTDOOR, SPINE FIN, 45.95 L X 38.42 W X 14.50 H
CPT00656	10	1	CAPACITOR; DUAL, 45/5 MFD, 440V, ROUND, W/O RESISTOR
COL25344	11	1	COIL; INDOOR, FLAT FIN, 25.50 L X 20.00 H