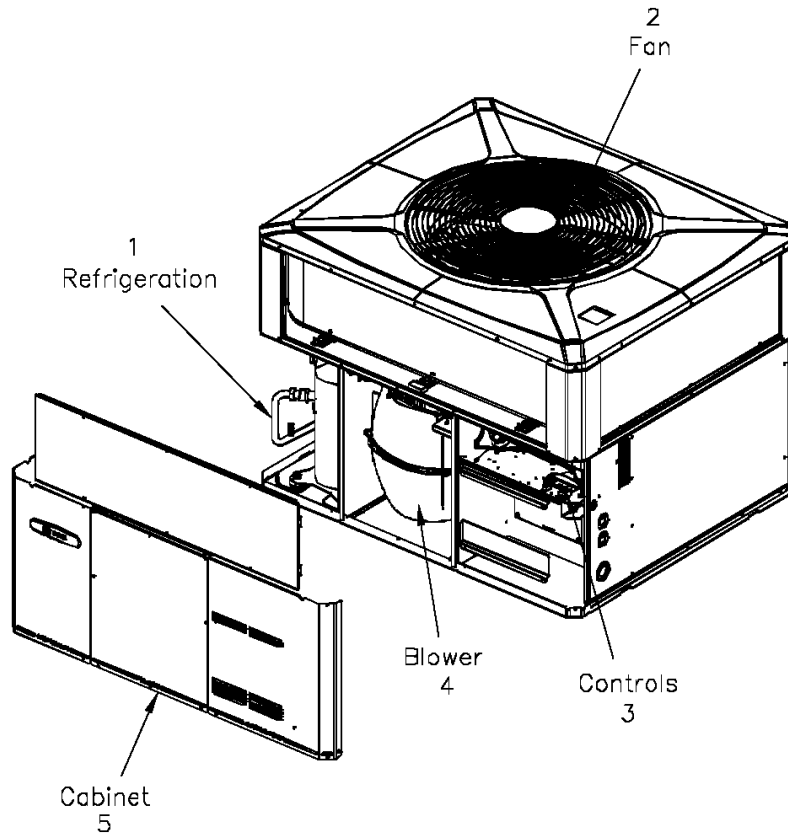


General Assembly

75008360

REV  
A

Typical illustration. Unit may not appear exactly as shown.



View is determined by facing Appearance Nameplate

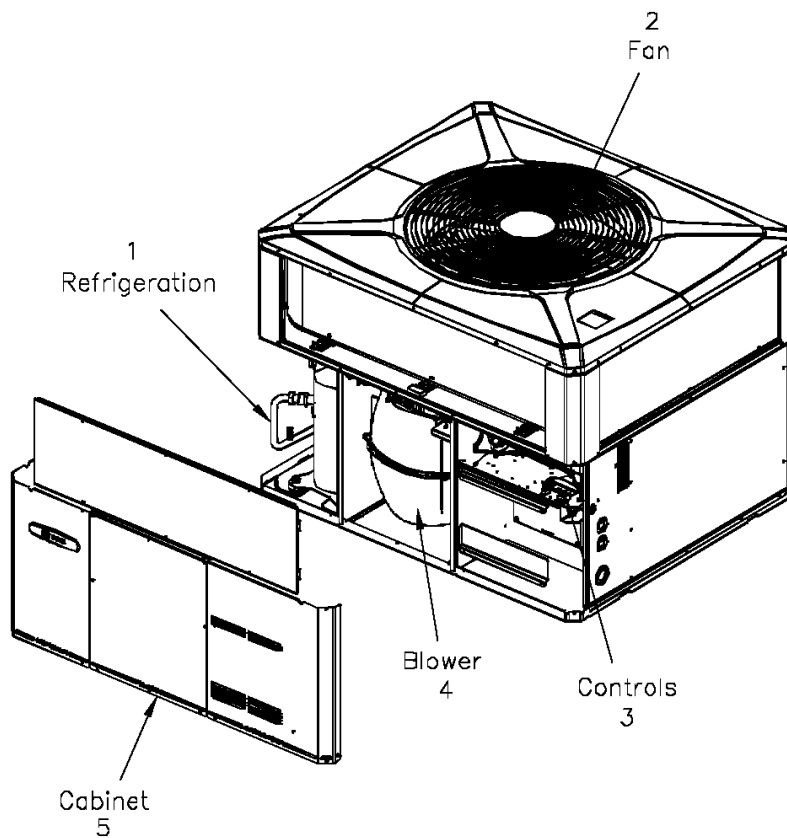
<b>Part No.</b>	<b>Reference No.</b>	<b>Quantity</b>	<b>Description</b>
75008358#4WCCUP1~S	*		BLOWER
75008359#4WCCUP1~S	*		CABINET
75008363#4WCCUP1~S	*		CONTROLS
75005599#4WCCUP1~S	*		FAN
75008360_4WCCUP1_189127~P	*		GENERAL ASSEMBLY PARTS LIST
75008692#4WCCUP1~S	*		MODEL NOMENCLATURE
NGRAPHIC#4WCCUP1~S	*		OPTIONAL FIELD INSTALLED ACCESSORIES
75008384#4WCCUP1~S	*		REFRIGERATION

General Assembly

75008360

REV  
A

Typical illustration. Unit may not appear exactly as shown.



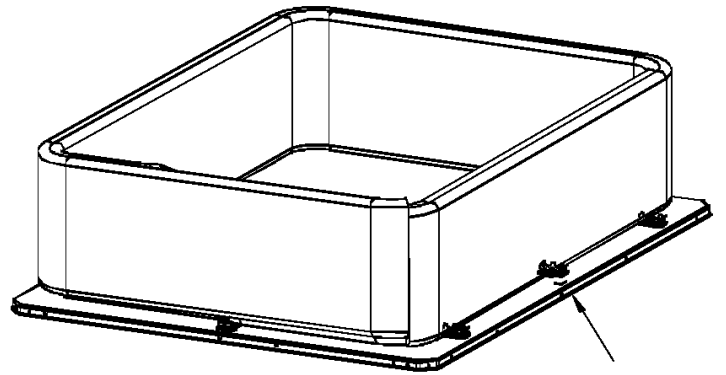
View is determined by facing Appearance Nameplate

Refrigeration

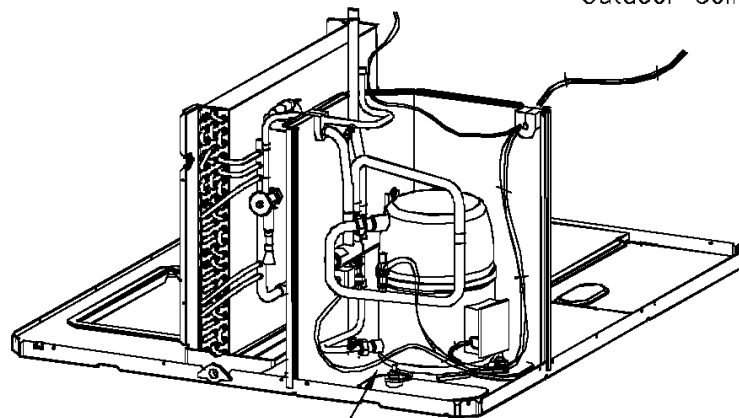
75008384

REV  
A

Typical illustration. Unit may not appear exactly as shown.



1  
Outdoor Coil



2  
Enlarged View

Parts List Number :75008360#4WCCUP1

Model Number :4WCC3030B1000AA

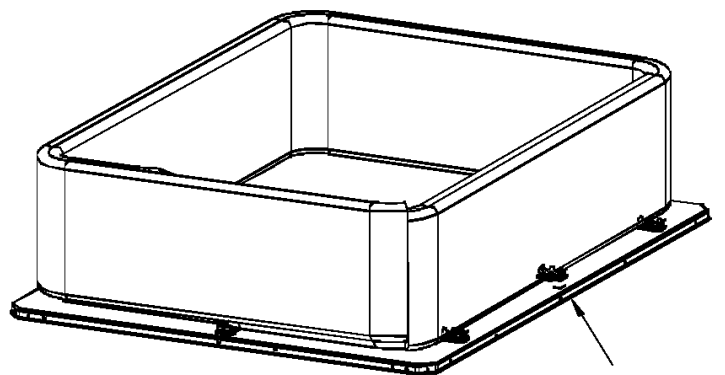
<b>Part No.</b>	<b>Reference No.</b>	<b>Quantity</b>	<b>Description</b>
75008386#4WCCUP1~S	*		ENLARGED VIEW
75008384_4WCCUP1_353242~P	*		REFRIGERATION PARTS LIST

Refrigeration

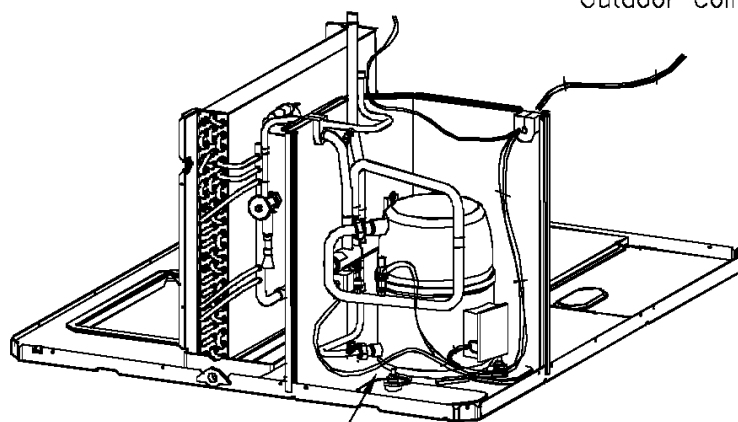
75008384

REV  
A

Typical illustration. Unit may not appear exactly as shown.



1  
Outdoor Coil

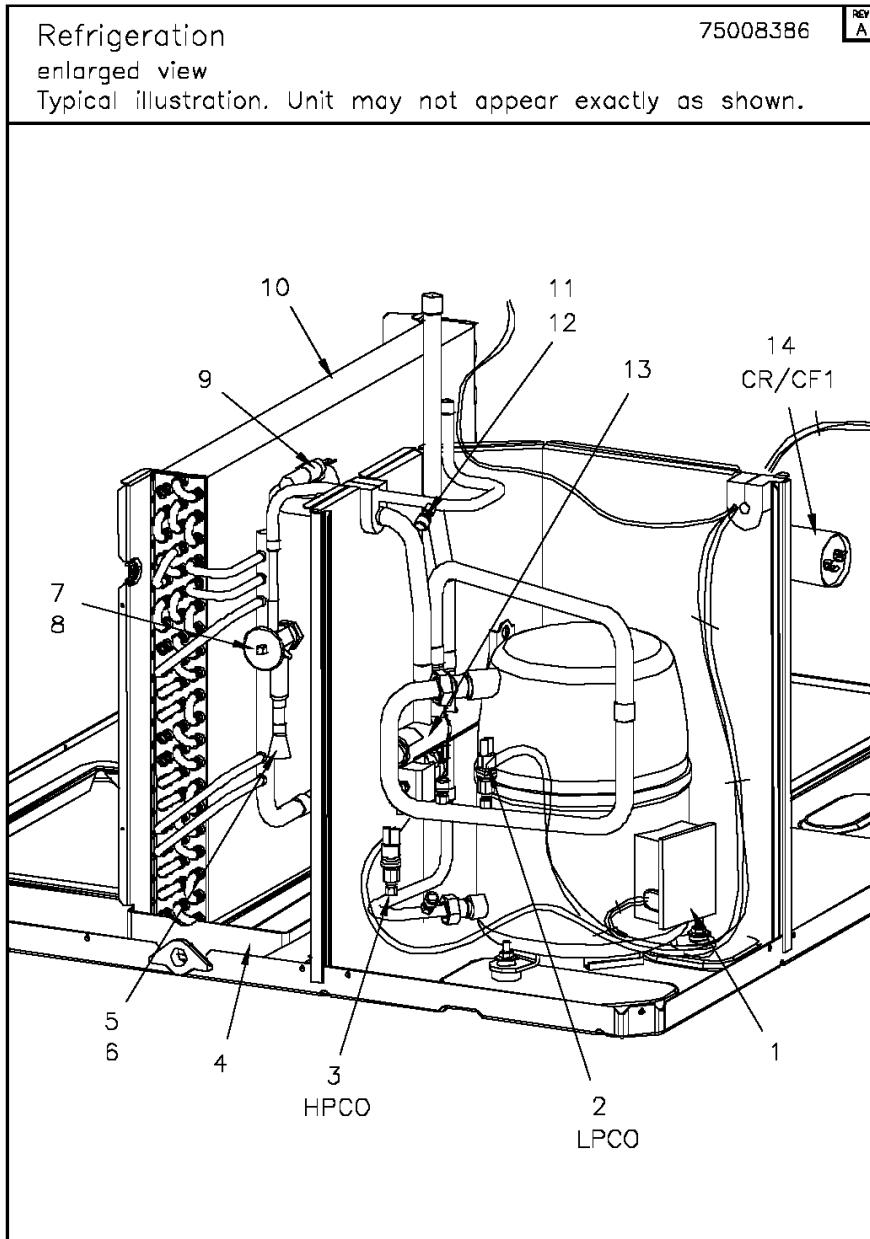


2  
Enlarged View

Parts List Number :75008360#4WCCUP1

Model Number :4WCC3030B1000AA

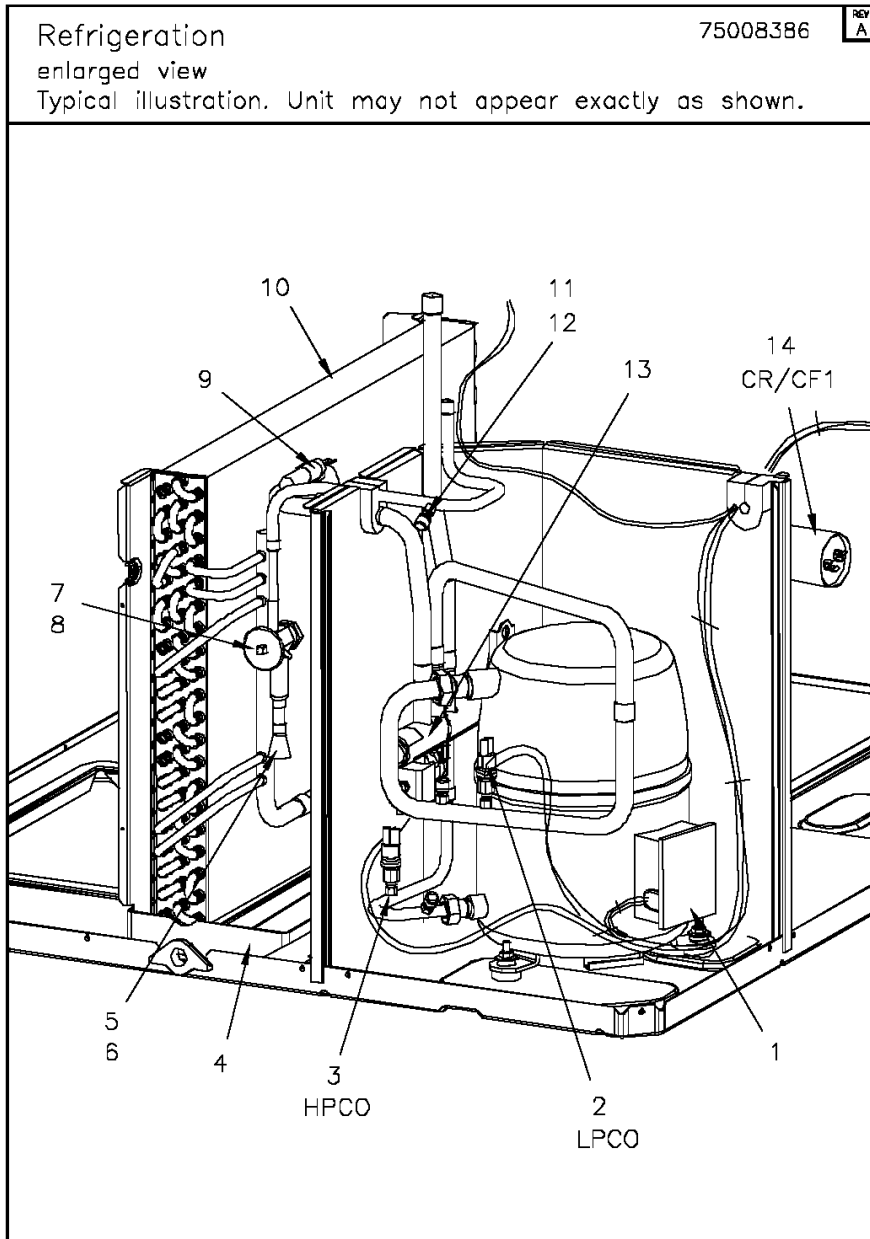
Part No.	Reference No.	Quantity	Description
SEN01370	*	1	SENSOR; ASSEMBLY, 9.75 K RESISTANCE OHMS AT 75 DEG F, YELLOW WIRES, 73 IN AND 75 IN
COL18041	1	1	COIL; OUTDOOR, SPIN FIN
DHY01272	1	1	DRIER; BI FLOW, 3/8 ODF, 2-2 1/2 TON
DST00896	1	1	DISTRIBUTOR; 6 OUTLETS, 19 ODS, .50 ODM INLET, BRASS



Parts List Number :75008360#4WCCUP1

Model Number :4WCC3030B1000AA

Part No.	Reference No.	Quantity	Description
75008386_4WCCUP1_353243~P	*		ENLARGED VIEW PARTS LIST



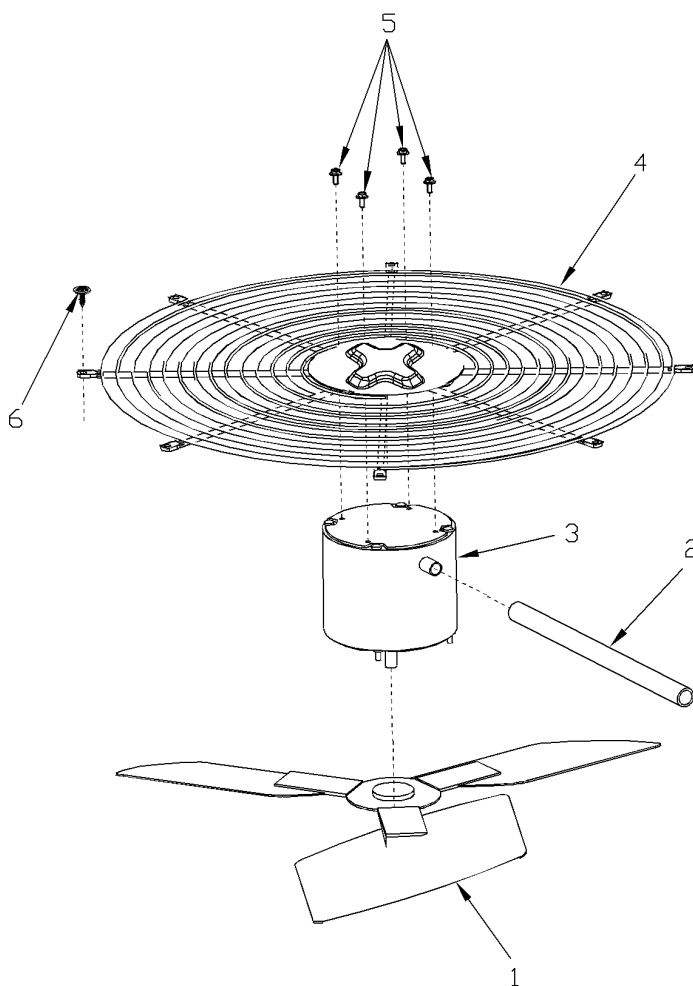
Part No.	Reference No.	Quantity	Description
BLT00809	*	3	BOLT; CARRIAGE, 5/16-18 X 1-3/4
BOD00114	*	3	BODY; VALVE, BRASS, 7/16 HEX, 7/16 -20 UNF-2A
MNT00479	*	3	MOUNT; VIBRATION ISOLATOR, COMPRESSOR
NUT00355	*	3	NUT; HEX, LOCK, 5/16IN.-18
NUT00668	*	3	NUT; PALLET
WAS00638	*	3	WASHER; FLAT, 5/16 INCH
WIR04497	*	1	WIRE; HARNESS, RECIP COMPRESSOR
COM09699	1	1	COMPRESSOR; RECIP, DP25A-AA1-LB, 2.1 TON, 200-230/60/1, R410A, BRAZED-STUB TUBE
SWT03545	2	1	SWITCH; LOW PRESSURE, OPEN @ 25 PSIG, CLOSE @ 45 PSIG
SWT03542	3	1	SWITCH; HIGH PRESSURE, SPST, OPEN @ 650 PSIG, CLOSE @ 500 PSIG, BRAZED
PAN02888	4	1	PAN; DRAIN, BLACK PVC, 29.58 X 7.75
TUB11685	5	1	TUBE; ASSEMBLY, INDOOR DISTRIBUTOR
DST00895	6	1	DISTRIBUTOR; 5 OUTLETS, 19 ODS, .50 ODM INLET, BRASS
VAL10374	8	1	VALVE; EXPANSION, 0.38 ODS X 0.50 ODS, 3.0 TON-R410A AND POE
CLP01072	9	1	CLIP; BULB (BLUE), 3/4 OD TUBE
COL18044	10	1	COIL; INDOOR
COR00006	11	3	CORE; VALVE PORT, .79 LENGTH, .206-36 UNS 2A THD
CAP00455	12	3	CAP; HUB, 7/16-20 STRAIGHT
VAL08957	13	1	VALVE; SWITCHOVER, 6 TON, .75 ID X .50 OD, (INCLUDES SOLENOID COIL)
CPT00668	14	1	CAPACITOR; DUAL, 440V, 40/5 MFD, ROUND, W/O RESISTOR

FAN

75005599

REV  
A

Typical Illustration. Unit may not appear exactly as shown.



Parts List Number :75008360#4WCCUP1

Model Number :4WCC3030B1000AA

Part No.	Reference No.	Quantity	Description
75005599_4WCCUP1_353239~P	*		FAN PARTS LIST

FAN

75005599

REV  
A

Typical Illustration. Unit may not appear exactly as shown.



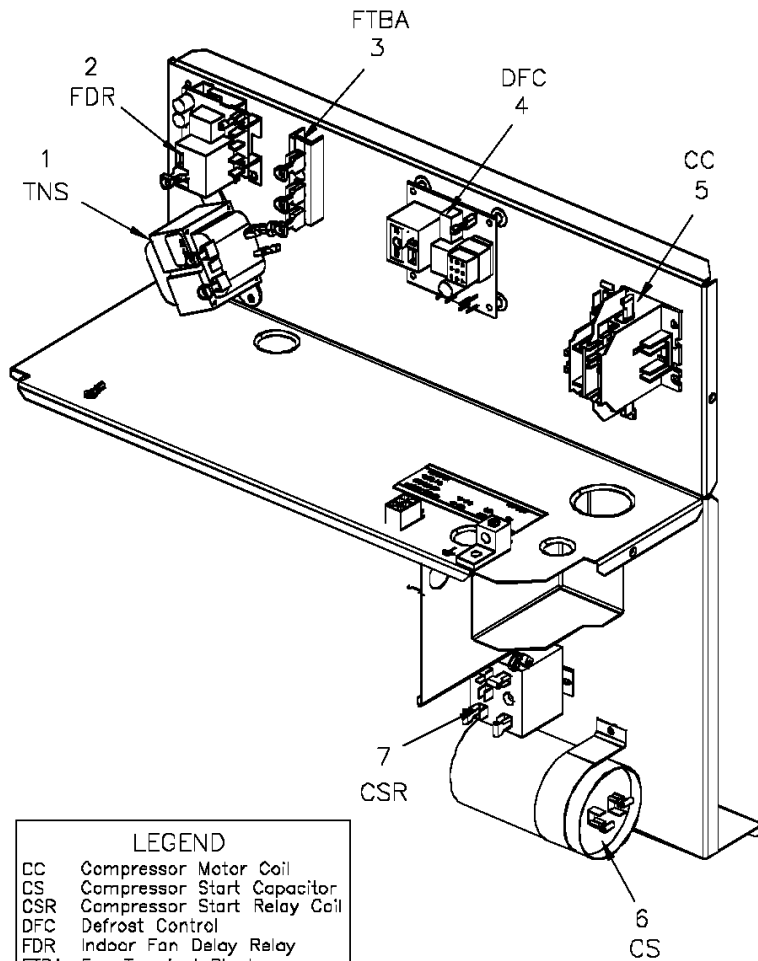
Part No.	Reference No.	Quantity	Description
FAN03983	1	1	FAN; SWEPT BLADE, 2 BLADE, ALUMINUM, 23.4 IN DIA, 30 DEGREES PITCH, .50 IN BORE, CCW, 1 SET SCREW-STEEL
GRD01633	2	1	GUARD; TROUGH-LEAD
MOT12919	3	1	MOTOR; OUTDOOR, 1/6 HP, 200-230/60/1, 830 RPM, TYPE PSC, CCW, SLEEVE BEARINGS, 5 MFD CPT AT 370V
GRL01529	4	1	GRILL; OUTDOOR FAN, 26.0 IN MOUNTING DIA
SCR02086	5	4	SCREW; 10-32 TR-3 HXW 3/8 S

Controls

75008363

REV  
A

Typical illustration. Unit may not appear exactly as shown.



CONTROLS

Parts List Number :75008360#4WCCUP1

Model Number :4WCC3030B1000AA

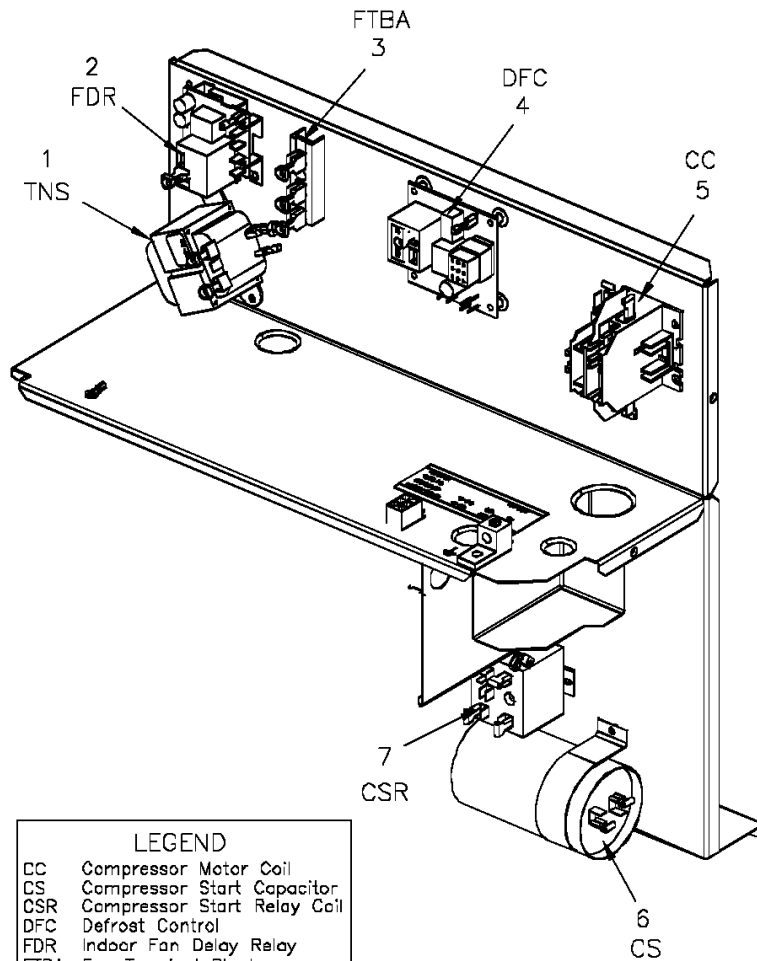
Part No.	Reference No.	Quantity	Description
75008363_4WCCUP1_353241~P	*		CONTROLS PARTS LIST

Controls

75008363

REV  
A

Typical illustration. Unit may not appear exactly as shown.



LEGEND	
CC	Compressor Motor Coil
CS	Compressor Start Capacitor
CSR	Compressor Start Relay Coil
DFC	Defrost Control
FDR	Indoor Fan Delay Relay
FTBA	Fan Terminal Block
TNS	Transformer

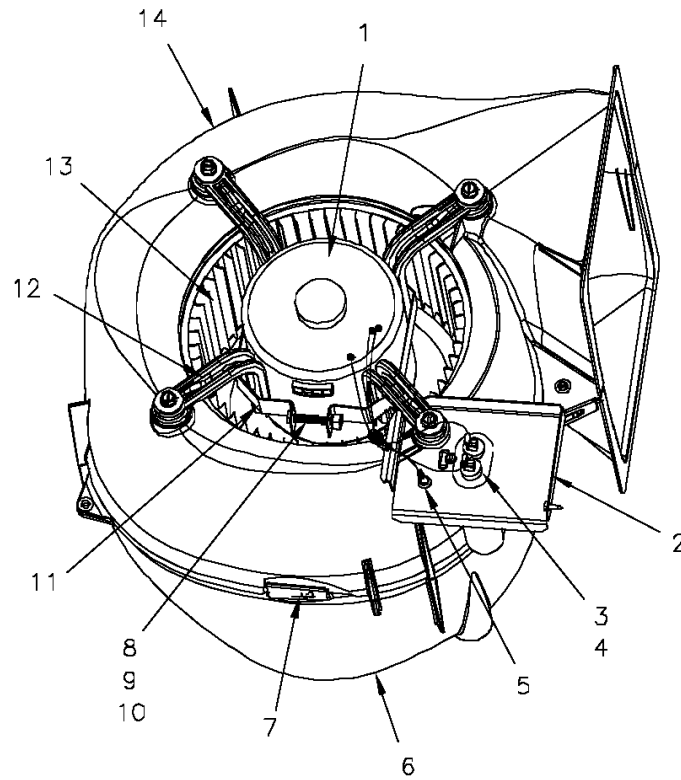
Part No.	Reference No.	Quantity	Description
LUG00014	*	1	LUG, GROUND
SEN01510	*	1	SENSOR; ASSEMBLY-AMBIENT, 83/85 IN LENGTH WIRES
WIR04492	*	1	WIRE; HARNESS, START KIT
WIR06513	*	1	WIRE; HARNESS, CONTROL
TRR01898	1	1	TRANSFORMER; 50VA, 208/240V PRI, 24V SEC
RLY03081	2	1	RELAY; TIME DELAY, POWER POLE-7 FLA, 36 RLA AT 240VAC, PILOT POLE-25 VA AT 24 VAC, 2 SEC ON-DELAY, 45 SEC OFF-DELAY (INCLUDES PC BOARD)
BRD00385	3	1	BOARD; TERMINAL, FAN, 24V, 3 POLE
CNT04695	4	1	CONTROL; DEFROST (USE ON FT. SMITH PRODUCTS ONLY)
CTR01333	5	1	CONTACTOR; 2 POLE, NO, 40 FLA AT 240V, 50/60 HZ, 50 RES AMPS, 24V COIL, 40 FLA AT 277/480/600V
CPT00429	6	1	CAPACITOR; START, 216-240 MFD, 330V, ROUND, W/RESISTOR
RLY03211	7	1	RELAY; START, 50A COIL, 332 CONTINUOUS COIL RATING, 60HZ, 220-240V HOT PICK UP, 204-233 PICK UP, 40-90V DROP OUT, 5600 COIL RESISTANCE OHM

Blower

75008358

REV  
E

Typical illustration. Unit may not appear exactly as shown.



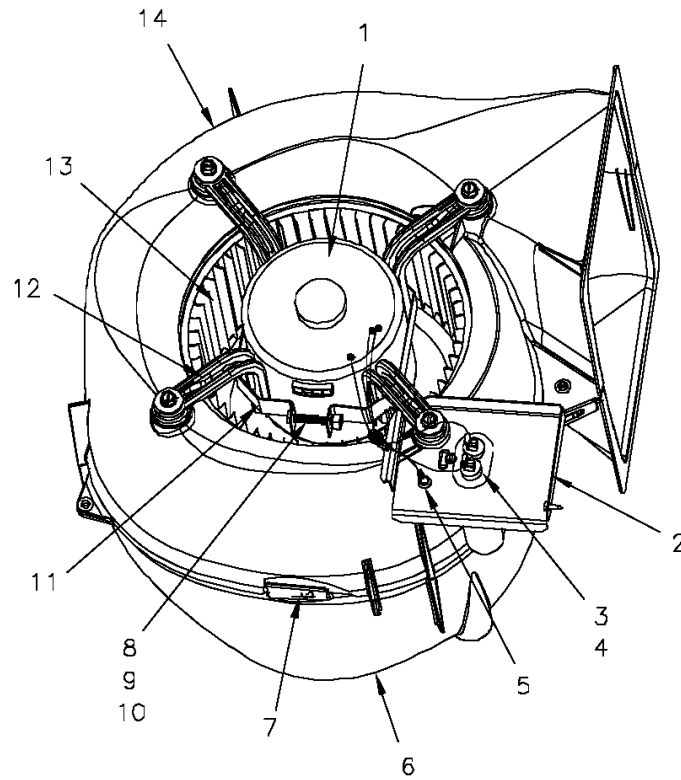
Part No.	Reference No.	Quantity	Description
75008358_4WCCUP1_353240~P	*		BLOWER PARTS LIST

Blower

75008358

REV  
E

Typical illustration. Unit may not appear exactly as shown.



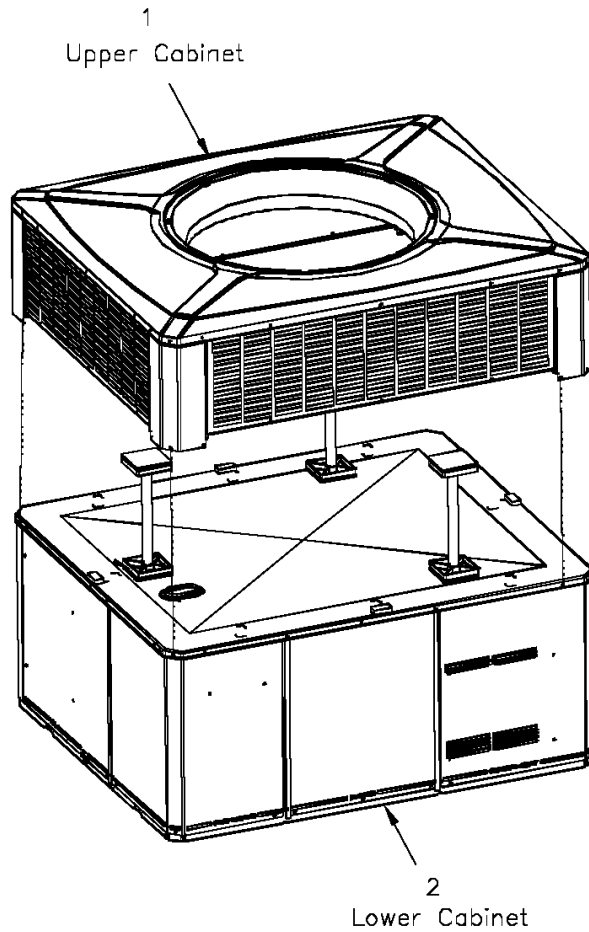
Part No.	Reference No.	Quantity	Description
BLW01081	*	1	BLOWER; ASSEMBLY, COMPLETE
MOT13109	1	1	MOTOR; INDOOR, 1/2 HP, 200-230/60/1, 1080 RPM, TYPE KCP, CW, SLEEVE BEARINGS, 15 MFD CPT AT 370V
BRK03542	2	1	BRACKET; BLOWER RETAINER, 4.32 X 3.45
CPT00478	3	1	CAPACITOR; RUN, 15 MFD, 370VAC, OVAL, W/O RESISTOR
SCR00998	4	2	SCREW; 10-16 B HXW 1/2 S
SCR00968	5	1	SCREW; 10-16 HEX WASHER, TYPE B, THREAD FORMING SCREW, 0.31 THREAD LENGTH, STEEL W/ZINC FINISH
HUS03805	6	1	HOUSING; BLOWER RIGHT SIDE WITHOUT MOUNTING HOLES, MOLDED GLASS FIBER POLYESTER, COLOR: NATURAL
CLP01088	7	4	CLIP; CLEAT-BLOWER
SCR01584	8	1	BOLT; 1/4-20 MA HX 1.5 S
NUT00487	9	1	NUT; STEEL HEX, 1/4-20
WAS00646	10	1	WASHER; STEEL SPRING LOCK, 1/4 INCH
BND00026	11	1	BAND; MOTOR MOUNT
BRK03396	12	4	BRACKET; ARM-MOTOR
WHL02689	13	1	WHEEL; BLOWER, 48 BLADES, CCW, CONVEX DISC, 10.62 X 10.68
HUS03804	14	1	HOUSING; BLOWER LEFT SIDE WITH 4 MOUNTING HOLES, MOLDED GLASS FIBER POLYESTER, COLOR: NATURAL

Cabinet

75008359

REV  
A

Typical illustration. Unit may not appear exactly as shown.



View is determined by facing Appearance Nameplate

Parts List Number :75008360#4WCCUP1

Model Number :4WCC3030B1000AA

<b>Part No.</b>	<b>Reference No.</b>	<b>Quantity</b>	<b>Description</b>
75008359_4WCCUP1_189129~P	*		CABINET PARTS LIST
75008379#4WCCUP1~S	*		LOWER CABINET
75008357#4WCCUP1~S	*		UPPER CABINET

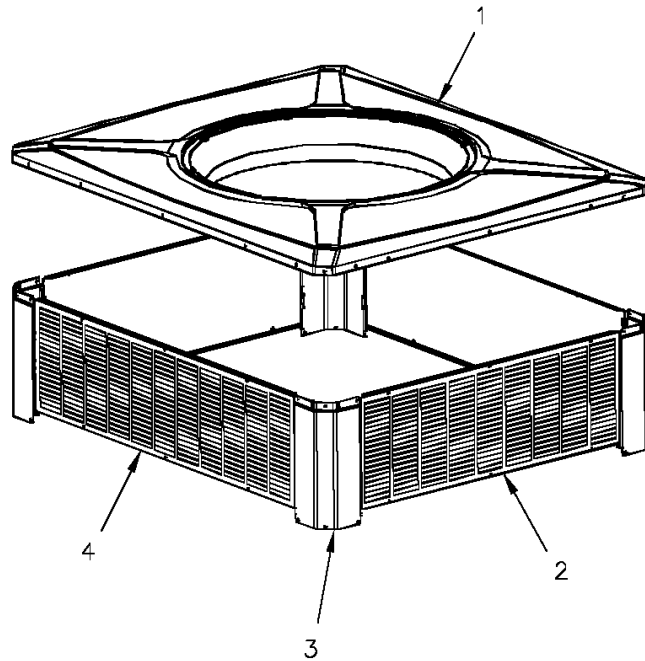
Cabinet

75008357

REV  
A

upper

Typical illustration. Unit may not appear exactly as shown.



Parts List Number :75008360#4WCCUP1

Model Number :4WCC3030B1000AA

Part No.	Reference No.	Quantity	Description
75008357_4WCCUP1_189130~P	*		UPPER CABINET PARTS LIST

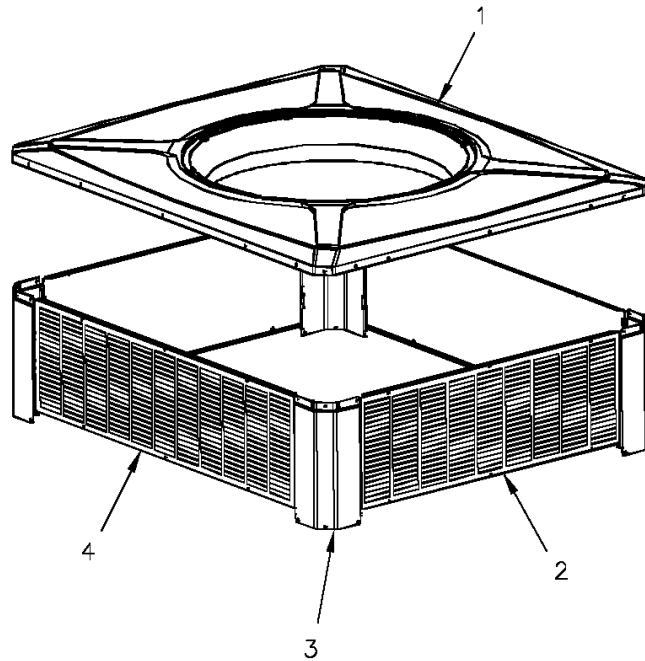
Cabinet

75008357

REV  
A

upper

Typical illustration. Unit may not appear exactly as shown.



<b>Part No.</b>	<b>Reference No.</b>	<b>Quantity</b>	<b>Description</b>
SCR01510	*	24	SCREW; 10-16 AB HXW 1/2 SN
SUP05014	*	3	SUPPORT; OD COIL, BOTTOM, 4X4, INCLUDES GASKET
SUP05015	*	3	SUPPORT; OD COIL, TOP, 4X4, INCLUDES GASKET
TUB12006	*	3	TUBE; SUPPORT, TOP PIPE, .75 DIA, SCHEDULE 40 GREY PVC, 12.46 INCHES
COV03694	1	1	COVER; OUTDOOR, TOP, 48.61 X 41.08
PNL22006	2	2	PANEL; METAL LOUVER, 32.00 X 11.40
PNL22001	3	4	PANEL; CORNER POST, 11.84 H
PNL22010	4	2	PANEL; METAL LOUVER, 39.53 X 11.40

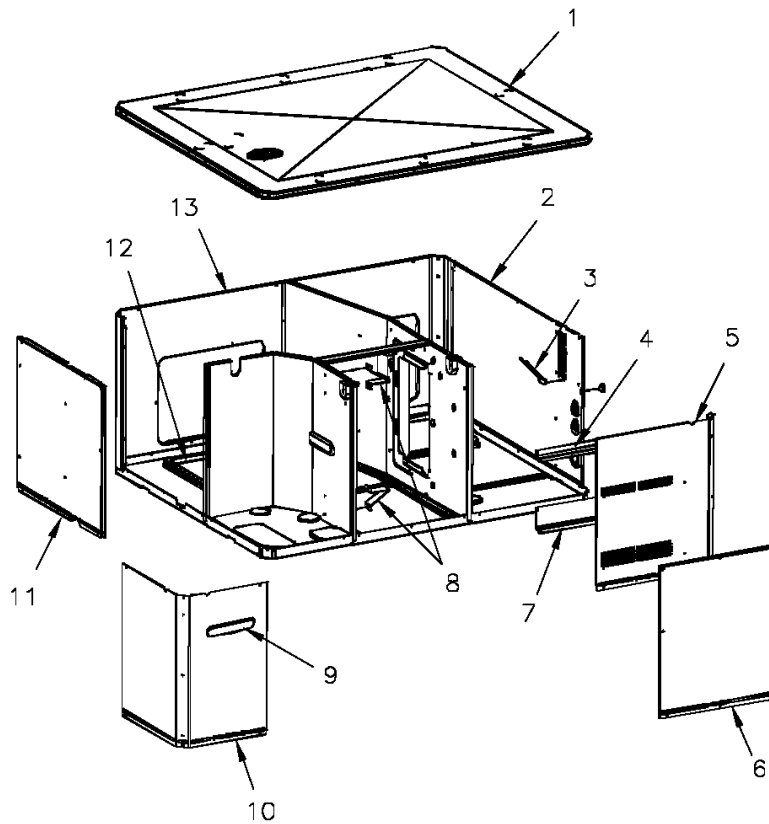
Cabinet

75008379

REV  
A

lower

Typical illustration. Unit may not appear exactly as shown.



View is determined by facing Appearance Nameplate

Parts List Number :75008360#4WCCUP1

Model Number :4WCC3030B1000AA

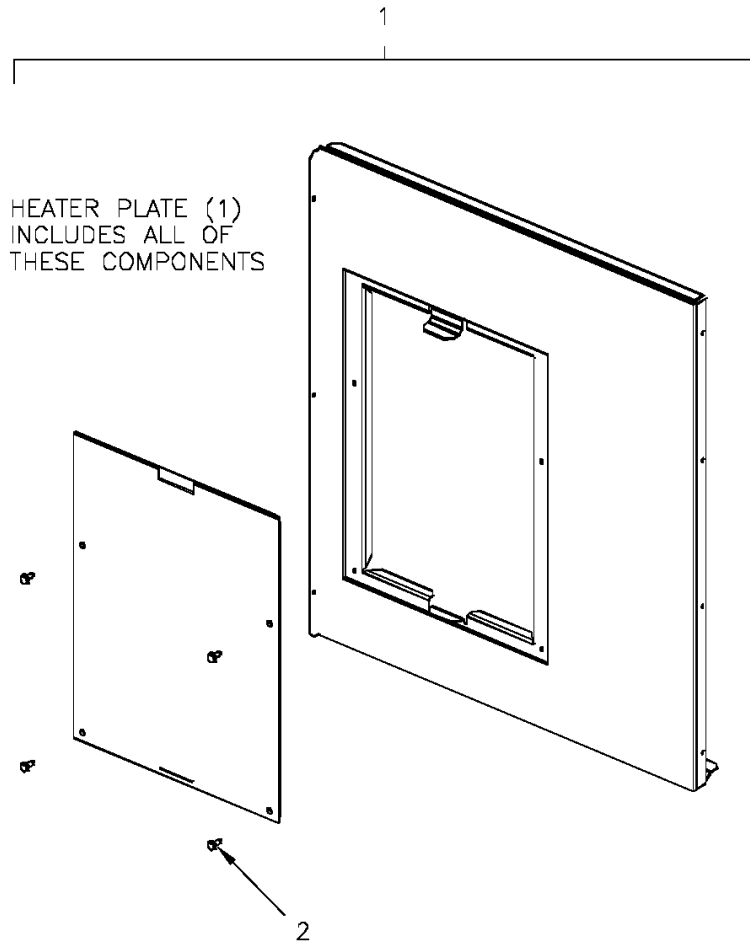
<b>Part No.</b>	<b>Reference No.</b>	<b>Quantity</b>	<b>Description</b>
75008355#4WCCUP1~S	*		ELECTRIC HEATER PLATE
75008379_4WCCUP1_321206~P	*		LOWER CABINET PARTS LIST

Electric Heater Plate

75008355

REV  
A

Typical illustration. Unit may not appear exactly as shown.



ELECTRIC HEATER PLATE

Parts List Number :75008360#4WCCUP1

Model Number :4WCC3030B1000AA

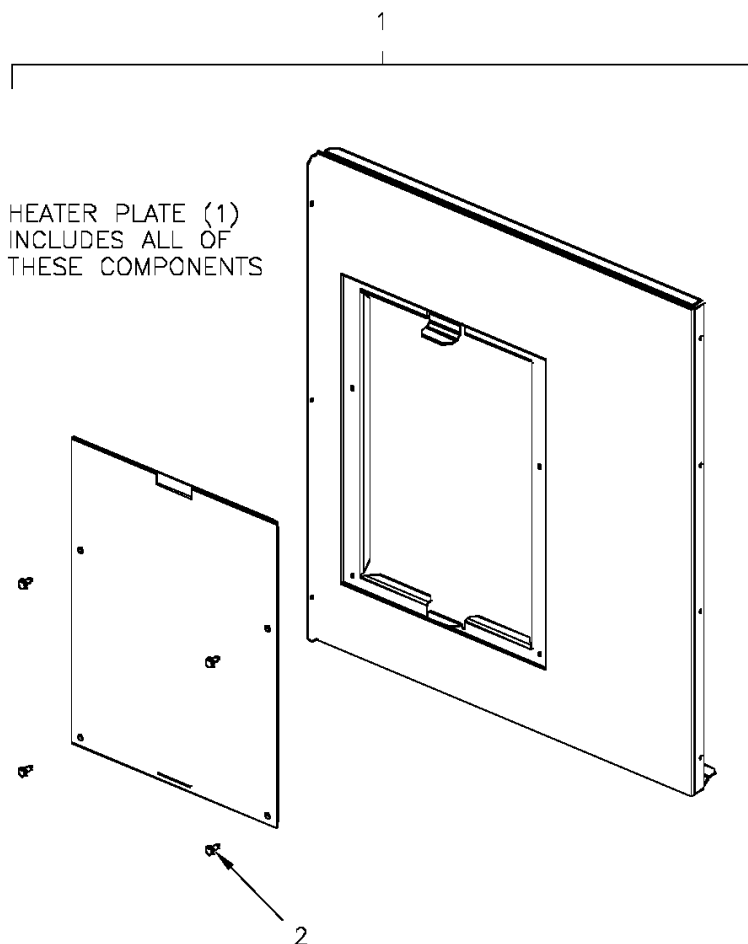
Part No.	Reference No.	Quantity	Description
75008355_4WCCUP1_189132~P	*		ELECTRIC HEATER PLATE PARTS LIST

Electric Heater Plate

75008355

REV  
A

Typical illustration. Unit may not appear exactly as shown.



<b>Part No.</b>	<b>Reference No.</b>	<b>Quantity</b>	<b>Description</b>
PLT04182	1	1	PLATE; ELECTRIC HEATER, 21.15 x 18.30. INCLUDES BARRIER AND PLATE
SCR01510	2	12	SCREW; 10-16 AB HXW 1/2 SN

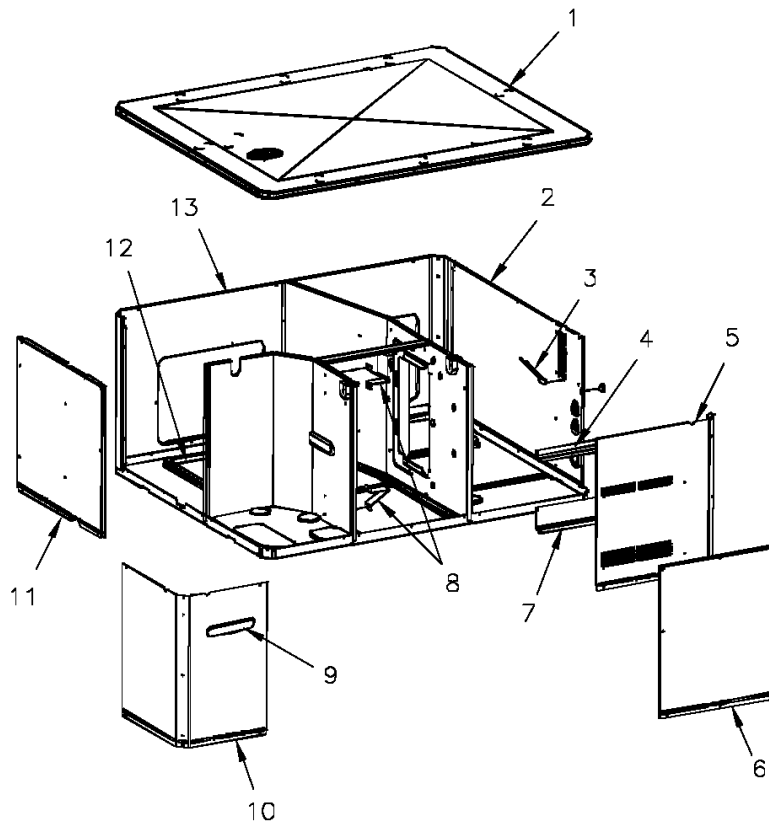
Cabinet

75008379

REV  
A

lower

Typical illustration. Unit may not appear exactly as shown.



View is determined by facing Appearance Nameplate

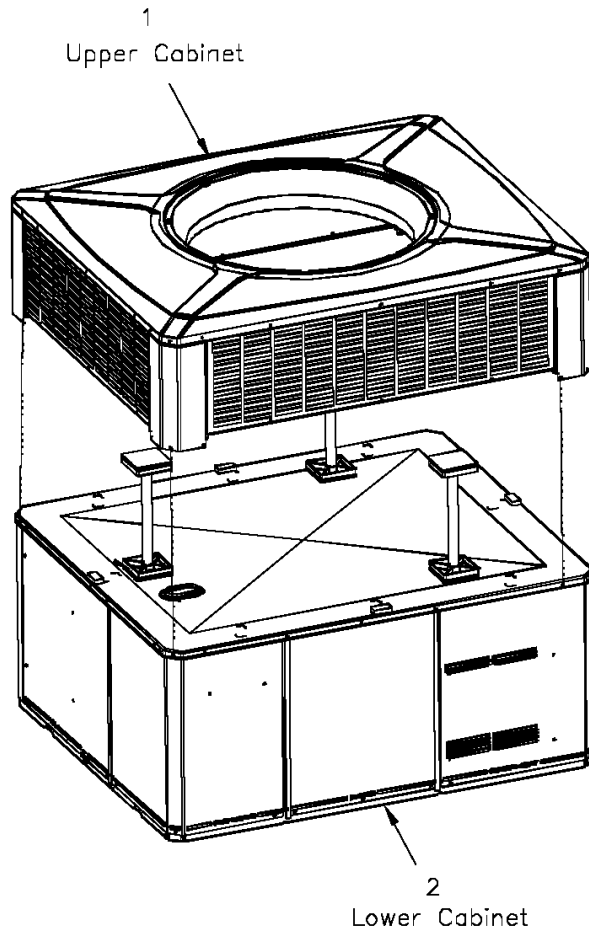
<b>Part No.</b>	<b>Reference No.</b>	<b>Quantity</b>	<b>Description</b>
PNL26584	*	1	PANEL; BLOWER BARRIER, 41.05 X 21.15
COV03696	1	1	COVER; INDOOR, TOP, 48.61 X 41.08
PNL22036	2	1	PANEL; ELECTRIC HEAT ACCESS, 35.49 X 20.91
SHD00397	3	1	SHIELD; LOUVER, TOP, 5.0 X 1.9
SHD00396	4	1	SHIELD; LOUVER, CONTROL ACCESS PANEL, 12.95 X 1.50
PNL22041	5	1	PANEL; CONTROL/HEAT ACCESS, 17.93 X 20.70
PNL22013	6	1	PANEL; BLOWER ACCESS, 17.63 X 20.70
SHD00395	7	1	SHIELD; LOUVER, CONTROL ACCESS PANEL, 12.95 X 3.40
BRK03541	8	2	BRACKET; BLOWER SUPPORT, V-SHAPED, 3.13 X 2.75 X 1.50
PLT04112	9	1	PLATE; APPEARANCE NAMEPLATE, TRANE, 7.5 X 1.8
PNL21998	10	1	PANEL; COMPRESSOR ACCESS, 20.7 X 12.7 & 20.7 X 15.5
PNL22039	11	1	PANEL; INDOOR COIL ACCESS, 22.42 X 20.70
COV03698	12	2	COVER; SUPPLY AND RETURN, 15.88 X 11.88
PNL22197	13	1	PANEL; SUPPLY AND RETURN, 48.41 X 20.88

Cabinet

75008359

REV  
A

Typical illustration. Unit may not appear exactly as shown.

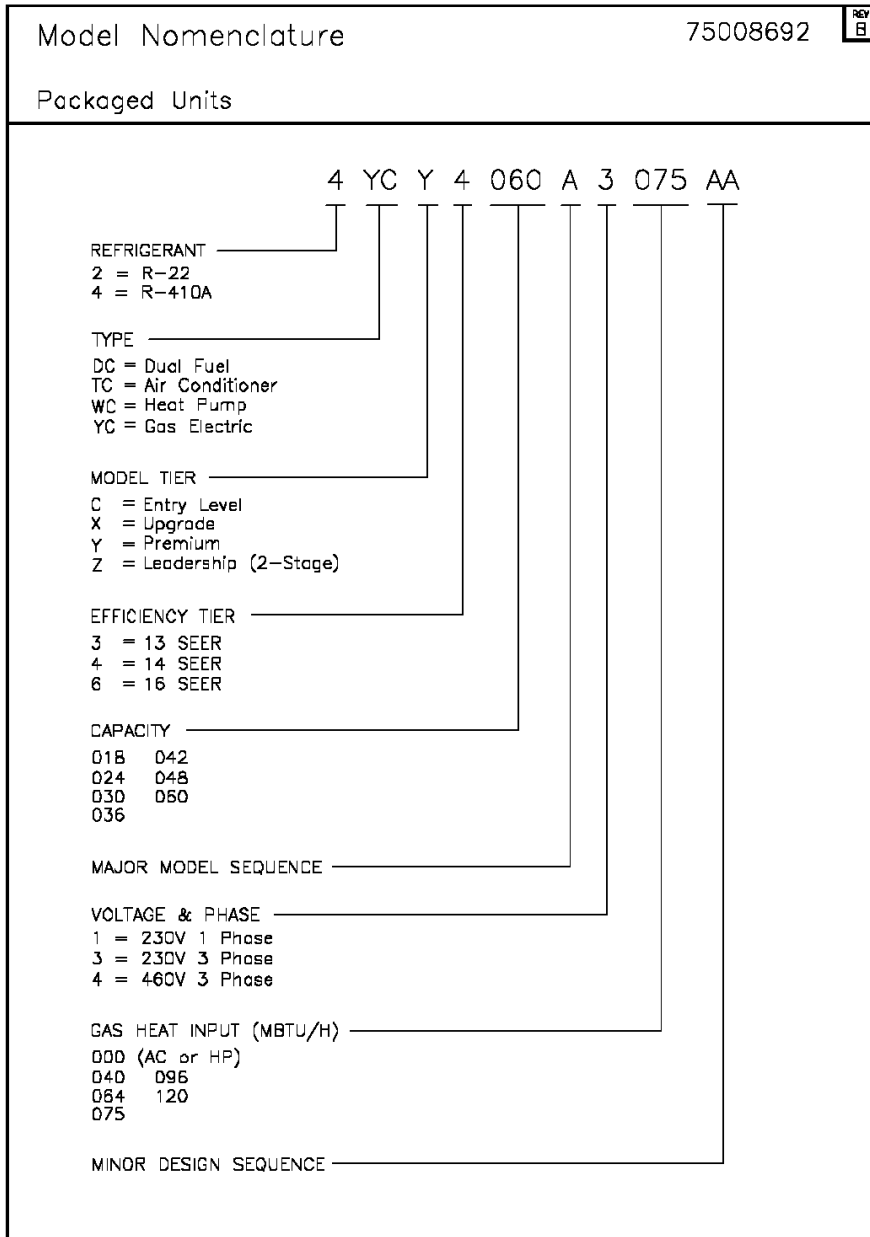


View is determined by facing Appearance Nameplate

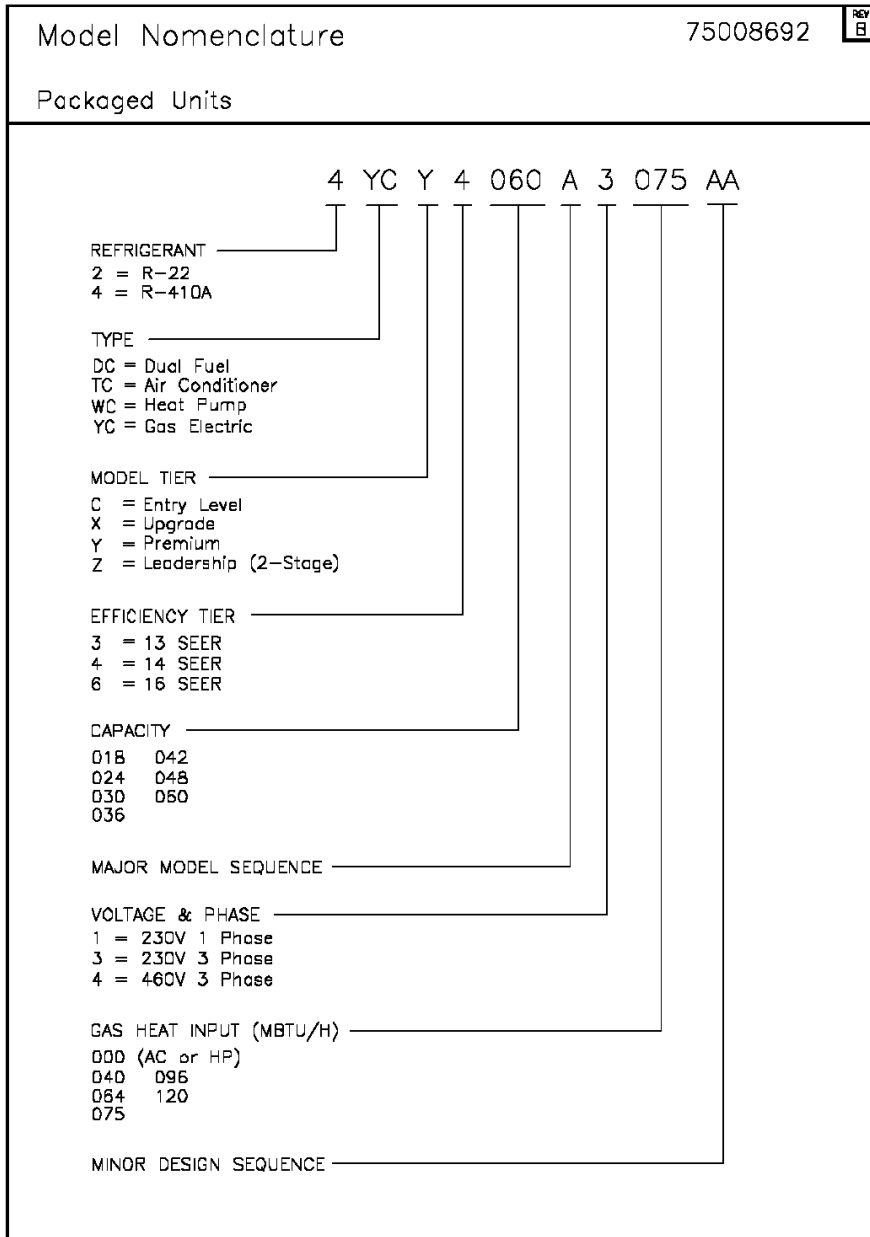
Parts List Number :75008360#4WCCUP1

Model Number :4WCC3030B1000AA

Part No.	Reference No.	Quantity	Description
PAI00074	*	3	PAINT; SPRAY, SLATE GREY, FULL GLOSS(88) (SHIPPING UOM 12 OZ HAZ)



Part No.	Reference No.	Quantity	Description
75008692_4WCCUP1_189139~P	*		MODEL NOMENCLATURE PARTS LIST



Part No.	Reference No.	Quantity	Description
NGRAPHIC_4WCCUP1_189141~ P	*		OPTIONAL FIELD INSTALLED ACCESSORIES PARTS LIST

NO GRAPHIC AVAILABLE

75013702

REV  
A

**NO  
GRAPHIC  
AVAILABLE**

Parts List Number :75008360#4WCCUP1

Model Number :4WCC3030B1000AA

Part No.	Reference No.	Quantity	Description
BAYUV101A	*	1	25 WATT UV LIGHT KIT FOR SMALL PACKAGED UNITS
ECN00111	*	1	ECONOMIZER; DOWN DISCHARGE, AND RAIN HOOD (BAYECON101AA)
ECN00113	*	1	ECONOMIZER; HORIZONTAL (BAYECON200AA)
HTR08651	*	1	HEATER; ELECTRIC, 3.76/5.0 KW, 208/240/1 (BAYHTRV105EA)
HTR08652	*	1	HEATER; ELECTRIC, 6.0/8.0 KW, 208/240/1 (BAYHTRV108EA)
HTR08653	*	1	HEATER; ELECTRIC, 7.51/10.0 KW, 208/240/1 (BAYHTRV110EA)
HTR08654	*	1	HEATER; ELECTRIC, 11.27/15.0 KW, 208/240/1 (BAYHTRV115EA)
KIT03361	*	1	KIT; LIFTING LUGS-BAYLIFT002B (CTN = 6 PIECES)
KIT06658	*	1	KIT; ENTHALPY CONTROL (BAYENTH001AB)
KIT13551	*	1	KIT; CURB ADAPTER (BAYADAP050AA)
KIT13552	*	1	KIT; CURB ADAPTER (BAYADAP051AA)
KIT13556	*	1	KIT; CRANKCASE HEATER, 230V RECIP COMPRESSORS (BAYCCHT101AA)
KIT13559	*	1	KIT; 12 INCH DUCT SHROUD COVERS HORIZONTAL (BAYCOVR112AA)
KIT13560	*	1	KIT; 18 INCH DUCT SHROUD COVERS HORIZONTAL (BAYCOVR118AA)
KIT13561	*	1	KIT; FULL PERIMETER ROOF MOUNTING CURB (BAYCURB050AA)
KIT13563	*	1	KIT; OUTSIDE AIR, 2 POS DAMPER (BAYDMPR101AA)
KIT13565	*	1	KIT; EXTREME CURB MOUNTING (BAYEXMK001AA)
KIT13567	*	1	KIT; EXTREME CURB MOUNTING (BAYEXMK003AA)
KIT13571	*	1	KIT; OUTSIDE AIR, MANUAL DAMPER (BAYOSAH001AA)
KIT13573	*	1	KIT; QUICK START (BAYQSTK300AA)
KIT13575	*	1	KIT; SQUARE/ROUND DUCT ADAPTER (BAYSQRD001AA)
KIT13640	*	1	KIT; LOW AMBIENT COOLING, HEAD PRESSURE CONTROL (BAYLOAM105AA)
KIT15096	*	1	KIT; FILTER FRAME (BAYFLTR101BA). USE ONE 20 X 25 FILTER - NOT INCLUDED.
KIT15141	*	1	KIT; ACCESS DOOR, 1-1/2 TO 3 TON MODELS (BAYACCDOR1AA)
KIT15305	*	1	KIT; SINGLE POWER ENTRY (BAYSPEK060EA)
KIT15307	*	1	KIT; SINGLE POWER ENTRY (BAYSPEK062EA)
KIT15308	*	1	KIT; SINGLE POWER ENTRY (BAYSPEK063EA)
KIT15323	*	1	KIT; EXTREME CURB MOUNTING (BAYEXMK002BA)
KIT15325	*	1	KIT; SQUARE/ROUND DUCT ADAPTER (BAYUTIL101BA)
KIT15403	*	1	KIT; ECONOMIZER, HINGED FILTER ACCESS DOOR AND FILTER FRAME (BAYECONCOMB101A)
RLY01652	*	1	RELAY; KIT (BAYRLAY004AA)
TMR00140	*	1	TIMER; ANTISHORT CYCLE (BAYASCT001)