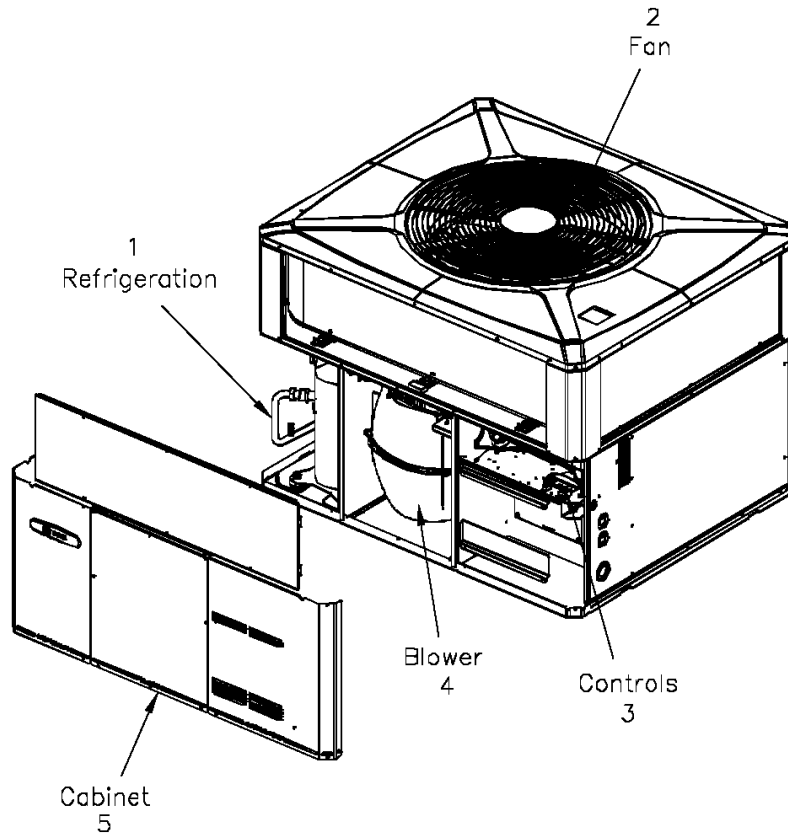


General Assembly

75008360

REV  
A

Typical illustration. Unit may not appear exactly as shown.



View is determined by facing Appearance Nameplate

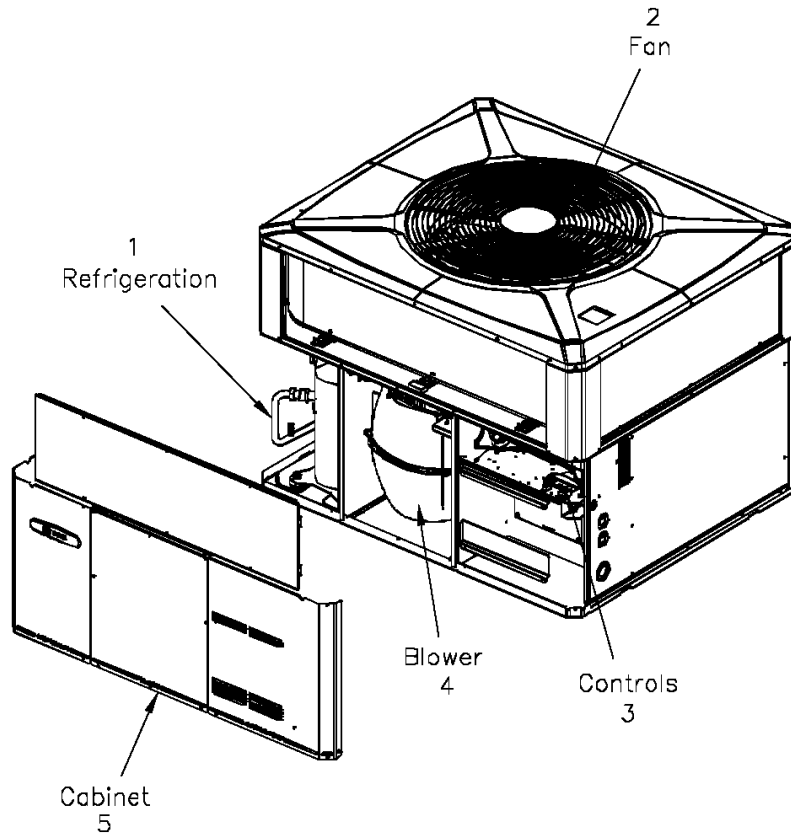
<b>Part No.</b>	<b>Reference No.</b>	<b>Quantity</b>	<b>Description</b>
75008358#4WCCUP1~S	*		BLOWER
75008359#4WCCUP1~S	*		CABINET
75008363#4WCCUP1~S	*		CONTROLS
75008383#4WCCUP1~S	*		FAN
75008360_4WCCUP1_189127~P	*		GENERAL ASSEMBLY PARTS LIST
75008692#4WCCUP1~S	*		MODEL NOMENCLATURE
NGRAPHIC#4WCCUP1~S	*		OPTIONAL FIELD INSTALLED ACCESSORIES
75008384#4WCCUP1~S	*		REFRIGERATION

General Assembly

75008360

REV  
A

Typical illustration. Unit may not appear exactly as shown.



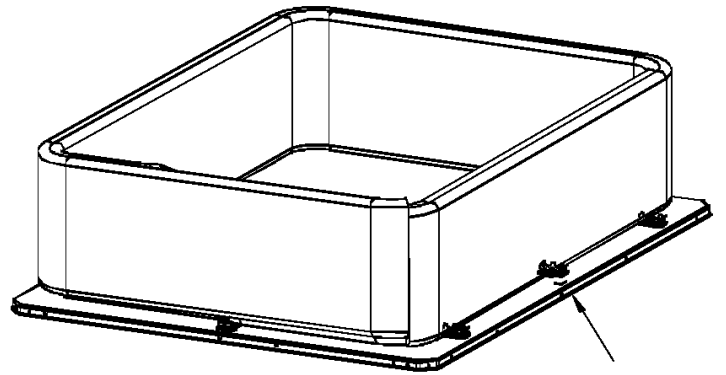
View is determined by facing Appearance Nameplate

Refrigeration

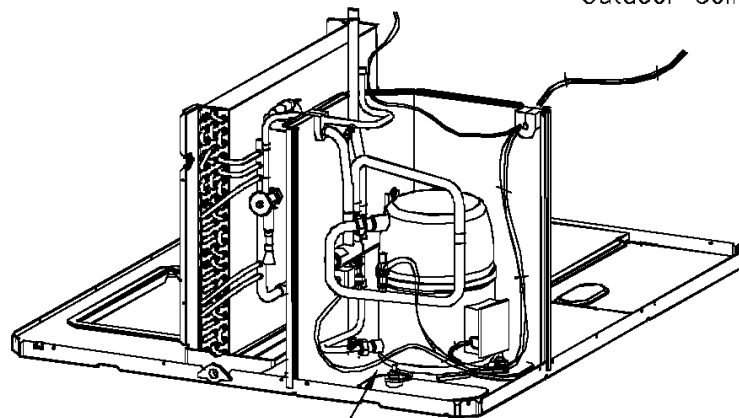
75008384

REV  
A

Typical illustration. Unit may not appear exactly as shown.



1  
Outdoor Coil



2  
Enlarged View

Parts List Number :75008360#4WCCUP1

Model Number :4WCC3018A1000AA

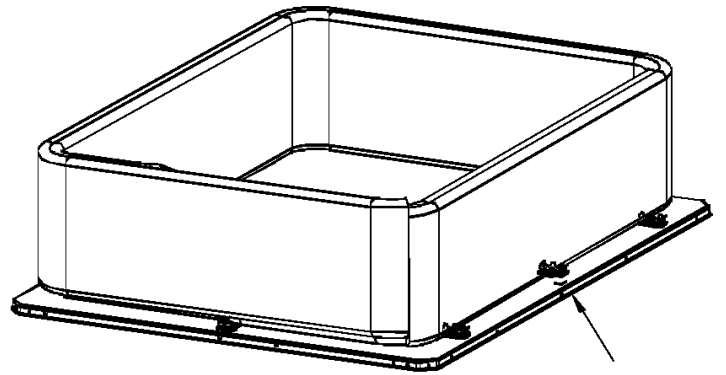
<b>Part No.</b>	<b>Reference No.</b>	<b>Quantity</b>	<b>Description</b>
75008386#4WCCUP1~S	*		ENLARGED VIEW
75008354#4WCCUP1~S	*		OUTDOOR COIL
75008384_4WCCUP1_189133~P	*		REFRIGERATION PARTS LIST

Refrigeration

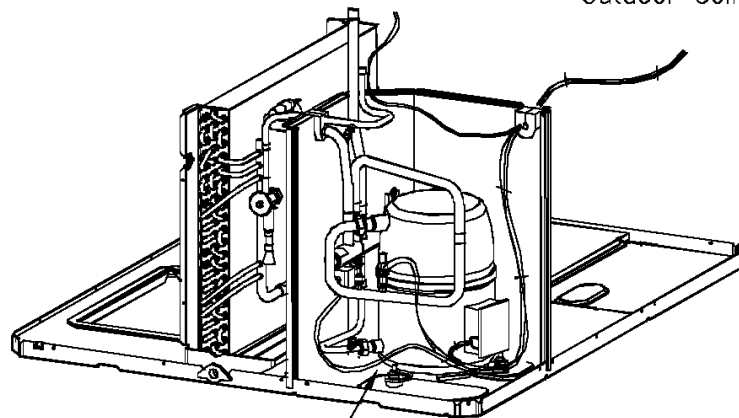
75008384

REV  
A

Typical illustration. Unit may not appear exactly as shown.



1  
Outdoor Coil



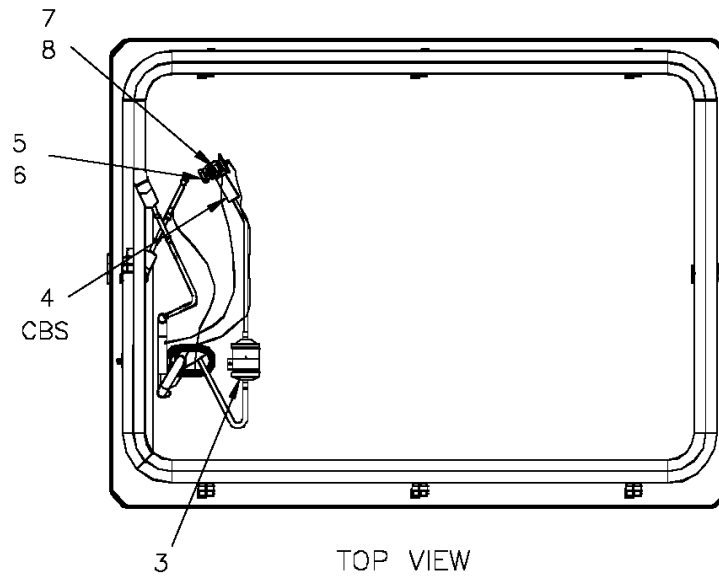
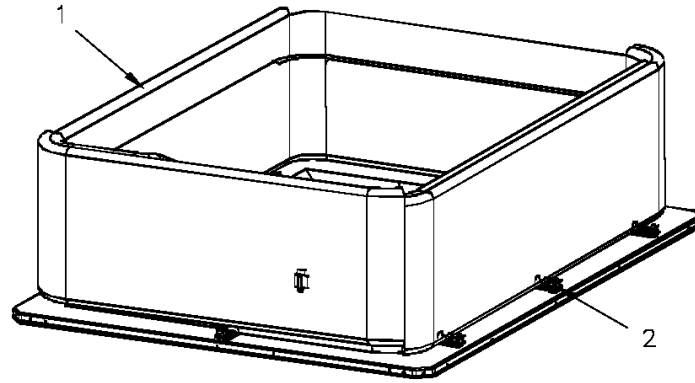
2  
Enlarged View

Outdoor Coil

75008354

REV  
A

Typical illustration. Unit may not appear exactly as shown.



OUTDOOR COIL

Parts List Number :75008360#4WCCUP1

Model Number :4WCC3018A1000AA

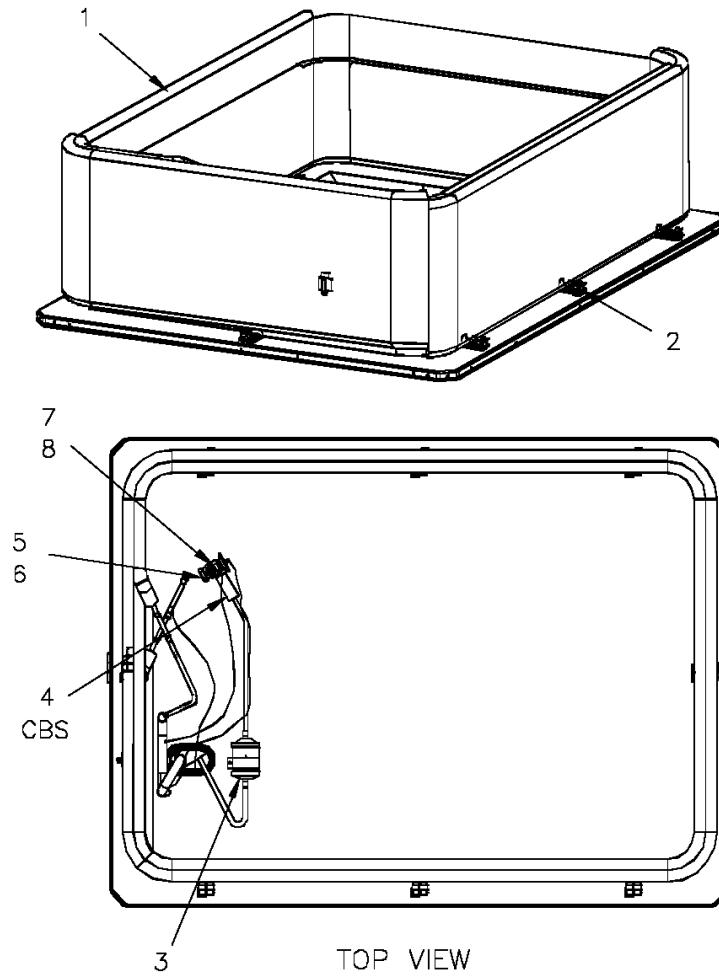
Part No.	Reference No.	Quantity	Description
75008354_4WCCUP1_283829~P	*		OUTDOOR COIL PARTS LIST

Outdoor Coil

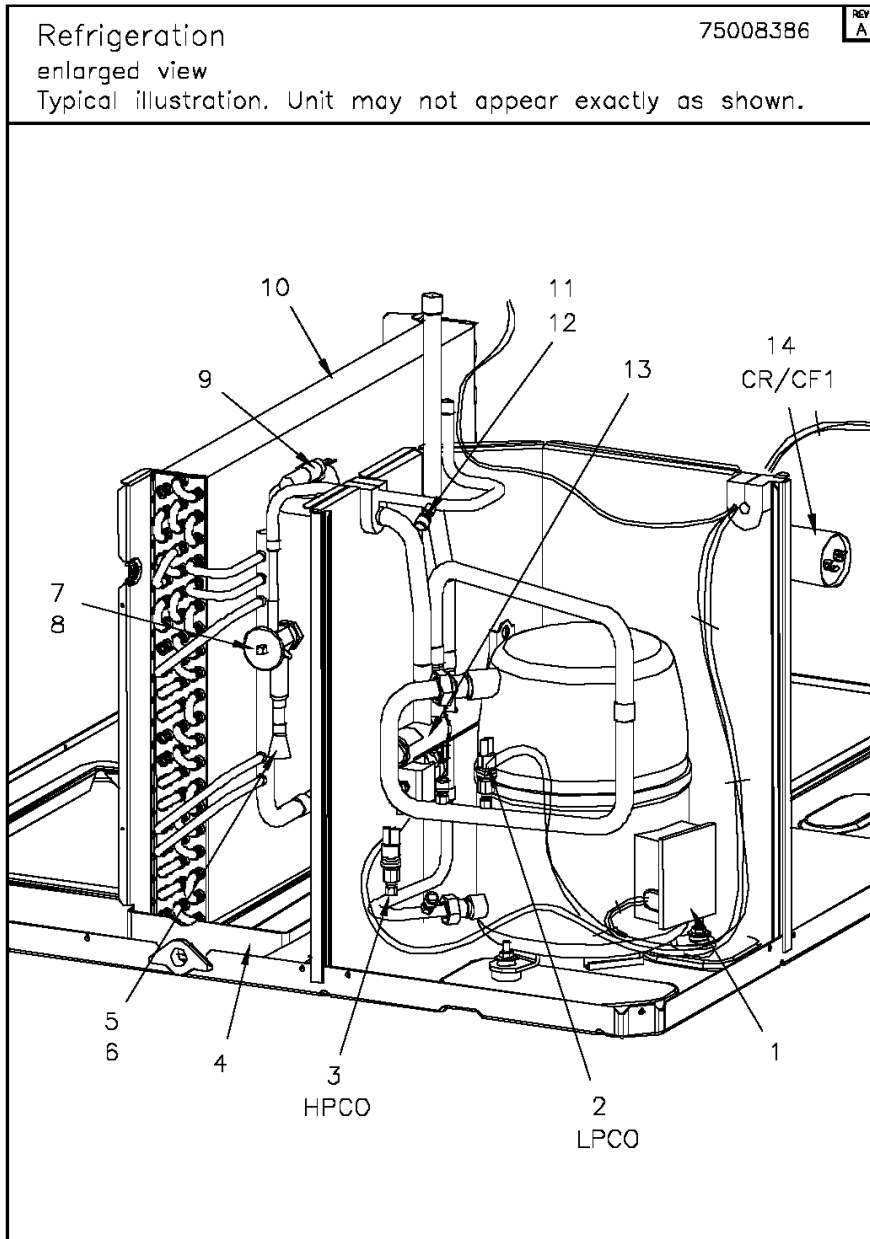
75008354

REV  
A

Typical illustration. Unit may not appear exactly as shown.



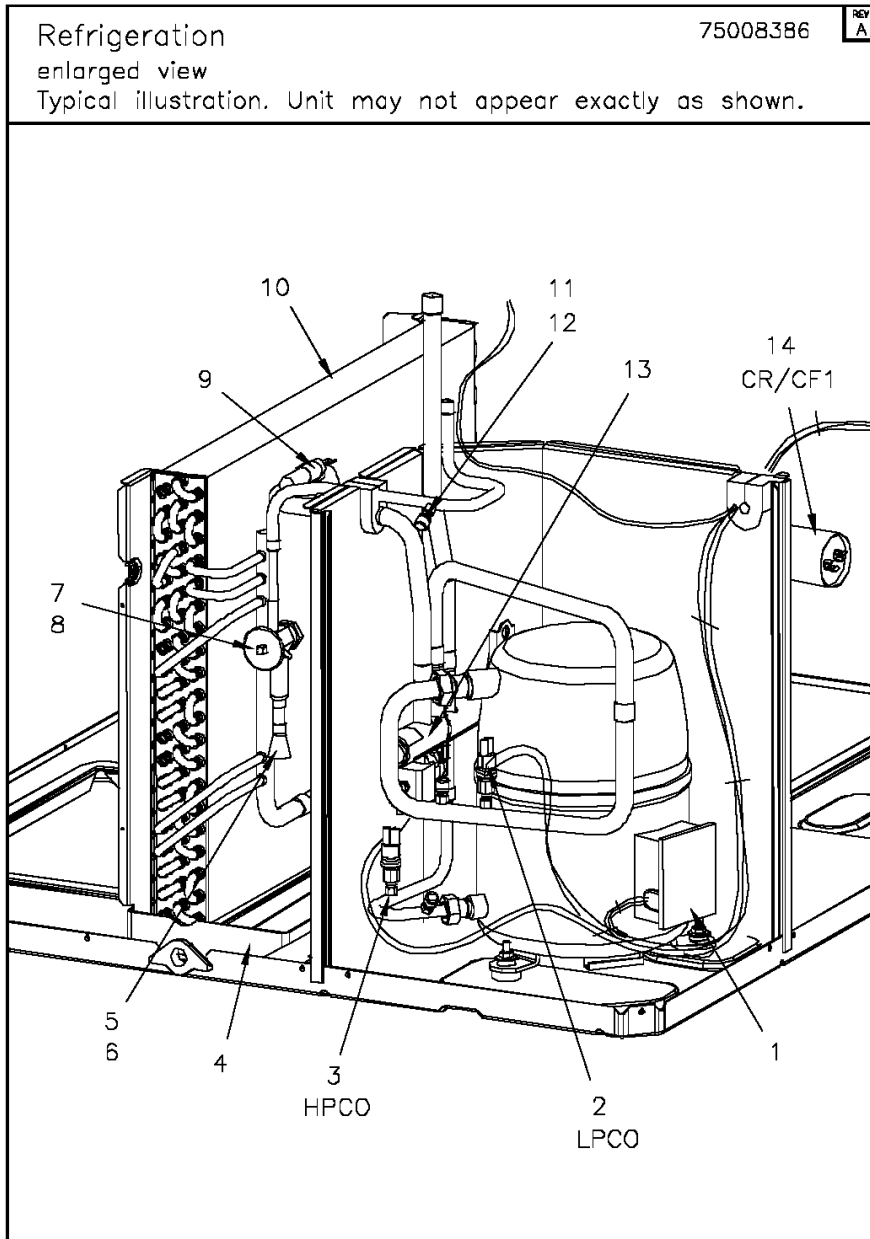
Part No.	Reference No.	Quantity	Description
CLP00223	*	1	CLIP; BULB
COL13495	1	1	COIL; OUTDOOR, SPINE FIN
SPC00391	2	8	SPACER; OUTDOOR COIL, 2.50 X 1.31. INCLUDES GASKET.
DHY01260	3	1	DRIER; BI-FLO HEAT PUMP FILTER, 5CI, 3/8 ODF, BFK053S
SEN01370	4	1	SENSOR; ASSEMBLY, 9.75 K RESISTANCE OHMS AT 75 DEG F, YELLOW WIRES, 73 IN AND 75 IN
TUB11681	5	1	TUBE; ASSEMBLY, FLOW CONTROL, R410A
VAL08699	6	1	VALVE; EXPANSION, 1 TON, 3/8" INLET X 1/2" OUTLET, 91/87 PSIG, R410A
TUB11603	7	1	TUBE; ASSEMBLY, OUTDOOR DISTRIBUTOR
DST00894	8	1	DISTRIBUTOR; 4 OUTLETS, 19 ODS, .50 ODM INLET, BRASS



Parts List Number :75008360#4WCCUP1

Model Number :4WCC3018A1000AA

Part No.	Reference No.	Quantity	Description
75008386_4WCCUP1_283830~P	*		ENLARGED VIEW PARTS LIST



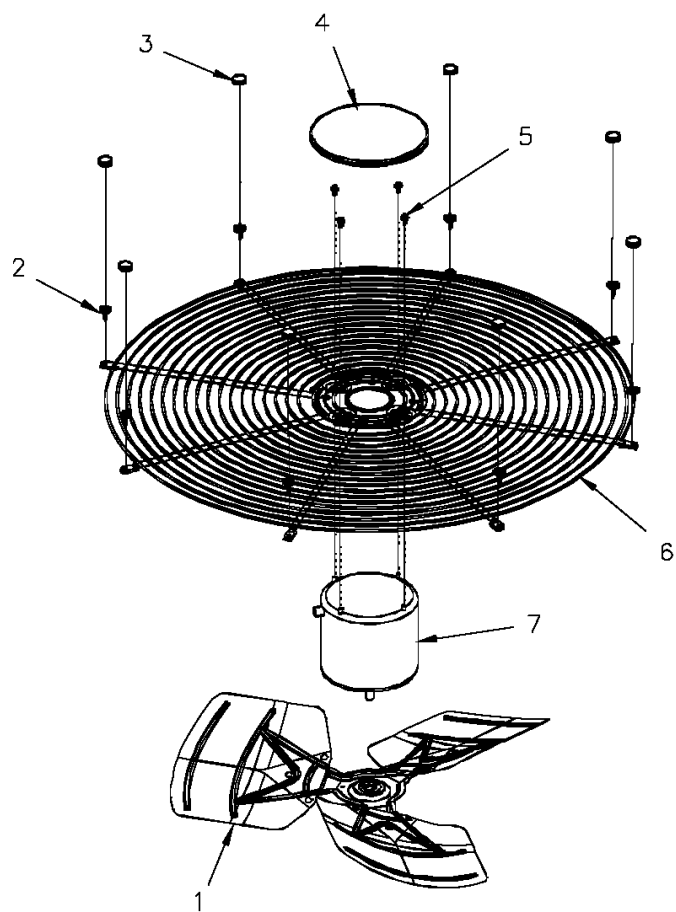
Part No.	Reference No.	Quantity	Description
BLT00809	*	3	BOLT; CARRIAGE, 5/16-18 X 1-3/4
BOD00114	*	3	BODY; VALVE, BRASS, 7/16 HEX, 7/16 -20 UNF-2A
FTG00066	*	2	FITTING;
MNT00479	*	3	MOUNT; VIBRATION ISOLATOR, COMPRESSOR
NUT00668	*	3	NUT; PALLET
NUT00669	*	3	NUT; MACHINE
NUT00999	*	1	NUT; 1.25-12 UNF-2B THREAD SIZE (FOR 3/4" OR 5/8" TUBE SIZE)
NUT01000	*	1	NUT; 1.00-14 UNS-2B THREAD SIZE (FOR 1/2" TUBE SIZE)
SLV00184	*	1	SLEEVE; 1/2" TUBE SIZE
SLV00185	*	1	SLEEVE; 3/4" TUBE SIZE
WAS00638	*	3	WASHER; FLAT, 5/16 INCH
WIR04497	*	1	WIRE; HARNESS, RECIP COMPRESSOR
COM08723	1	1	COMPRESSOR; DP15A-WX1-JA, 1.2 TON, 200-230/60/1, R410A (1.25-12 SUCTION, 1.00-14 DISCHARGE)
CNT04831	2	1	CONTROL; LOW PRESSURE, SPST, OPENS AT 25 PSIG, CLOSES AT 45 PSIG
SWT02949	3	1	SWITCH; PRESSURE, SPST, OPEN AT 700 DEG PSIG, CLOSE AT 550 DEG PSIG
PAN02764	4	1	PAN; DRAIN, BLACK PVC, 29.58 X 7.75
TUB11598	5	1	TUBE; ASSEMBLY, INDOOR DISTRIBUTOR
DST00893	6	1	DISTRIBUTOR; 3 OUTLETS, 19 ODS, .50 ODM INLET, BRASS
TUB11671	7	1	TUBE; ASSEMBLY, INDOOR FLOW CONTROL, R410A
VAL08699	8	1	VALVE; EXPANSION, 1 TON, 3/8" INLET X 1/2" OUTLET, 91/87 PSIG, R410A
CLP00223	9	1	CLIP; BULB
COL13530	10	1	COIL; INDOOR, FLAT FIN
COR00006	11	3	CORE; VALVE PORT, .79 LENGTH, .206-36 UNS 2A THD
CAP00455	12	3	CAP; HUB, 7/16-20 STRAIGHT
VAL08529	13	1	VALVE; SWITCHOVER, 3 TON, .750 ID X .500 OD, W/ SOLENOID COIL. FOR COIL ONLY USE COL13233.
CPT00659	14	1	CAPACITOR; DUAL, 30/5 MFD, 440V, ROUND, W/O RESISTOR

Fan

75008383

REV  
A

Typical illustration. Unit may not appear exactly as shown.



Parts List Number :75008360#4WCCUP1

Model Number :4WCC3018A1000AA

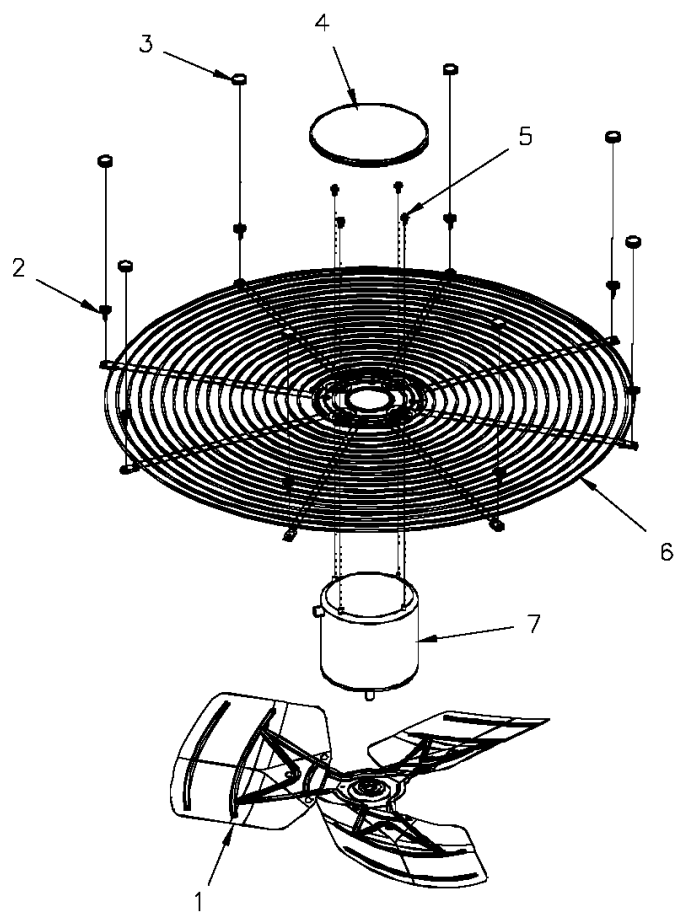
Part No.	Reference No.	Quantity	Description
75008383_4WCCUP1_283828-P	*		FAN PARTS LIST

Fan

75008383

REV  
A

Typical illustration. Unit may not appear exactly as shown.



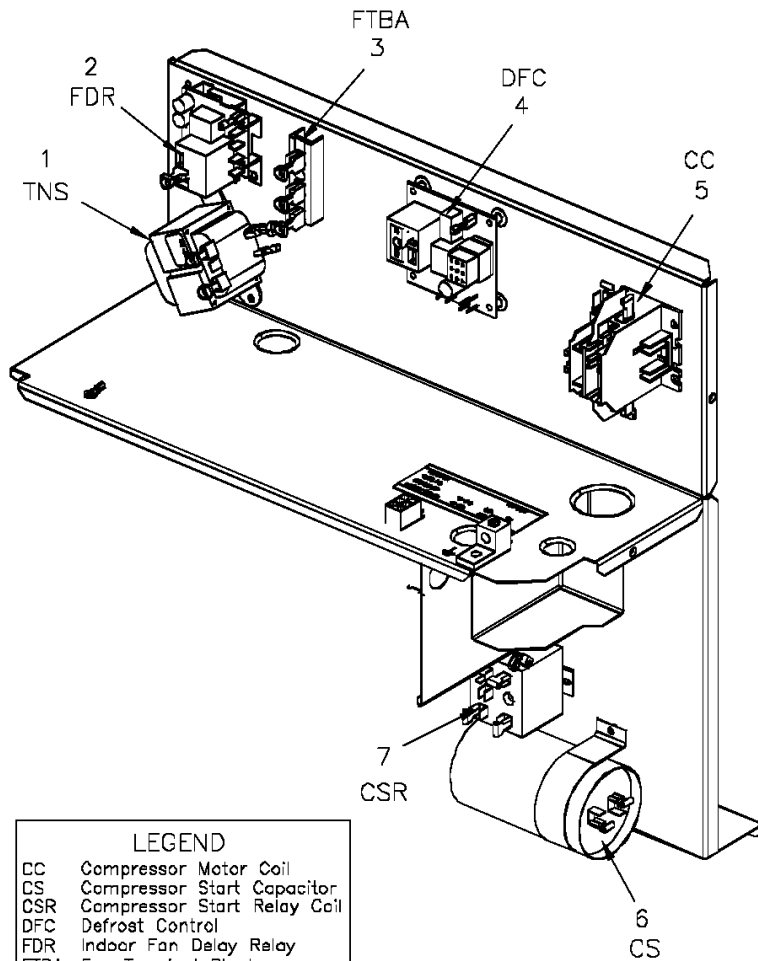
Part No.	Reference No.	Quantity	Description
FAN03775	1	1	FAN; 3 BLADE, ALUMINUM, 23" DIA, 14 DEGREES PITCH, .50" BORE, CCW, 1 SET SCREW-STEEL, SPIDER .075 THK, FINISH/PAINT
SCR01976	2	8	SCREW; NUMBER 10 X 3/4 NO SLOT HWH T/S STEEL ZY .0002 THK BAKE TY AB GROUNDING EYELET
CAP00913	3	8	CAP; RETAINER
COV03250	4	1	COVER; MOTOR, 6.86 DIA
SCR02086	5	4	SCREW; 10-32 TR-3 HXW 3/8 S
GRL01529	6	1	GRILL; OUTDOOR FAN, 26.0 IN MOUNTING DIA
MOT12404	8	1	MOTOR; OUTDOOR, 1/12 HP, 200-230/60/1, 810 RPM, TYPE PSC, CCW, SLEEVE BEARINGS, 5 MFD CPT AT 370V

Controls

75008363

REV  
A

Typical illustration. Unit may not appear exactly as shown.

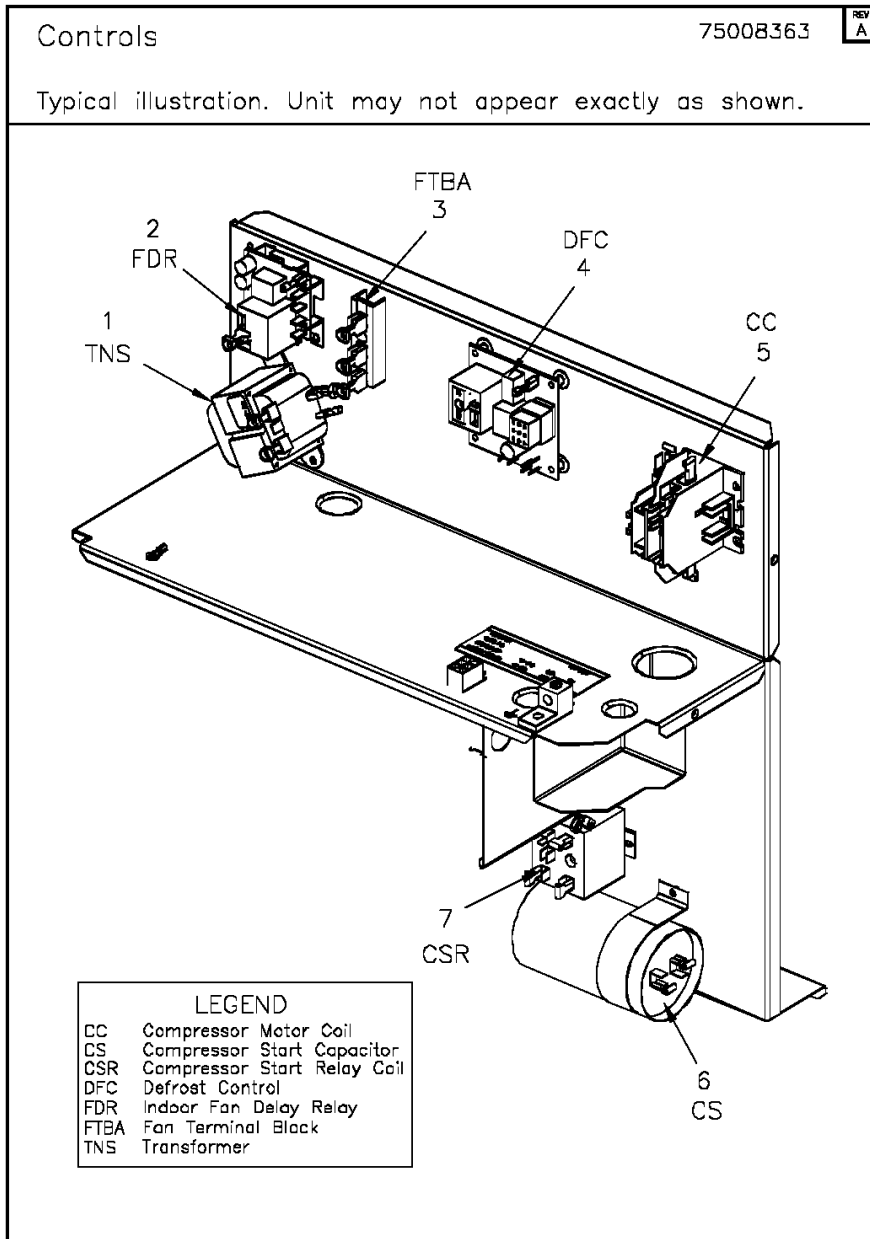


LEGEND	
CC	Compressor Motor Coil
CS	Compressor Start Capacitor
CSR	Compressor Start Relay Coil
DFC	Defrost Control
FDR	Indoor Fan Delay Relay
FTBA	Fan Terminal Block
TNS	Transformer

Parts List Number :75008360#4WCCUP1

Model Number :4WCC3018A1000AA

Part No.	Reference No.	Quantity	Description
75008363_4WCCUP1_283827~P	*		CONTROLS PARTS LIST



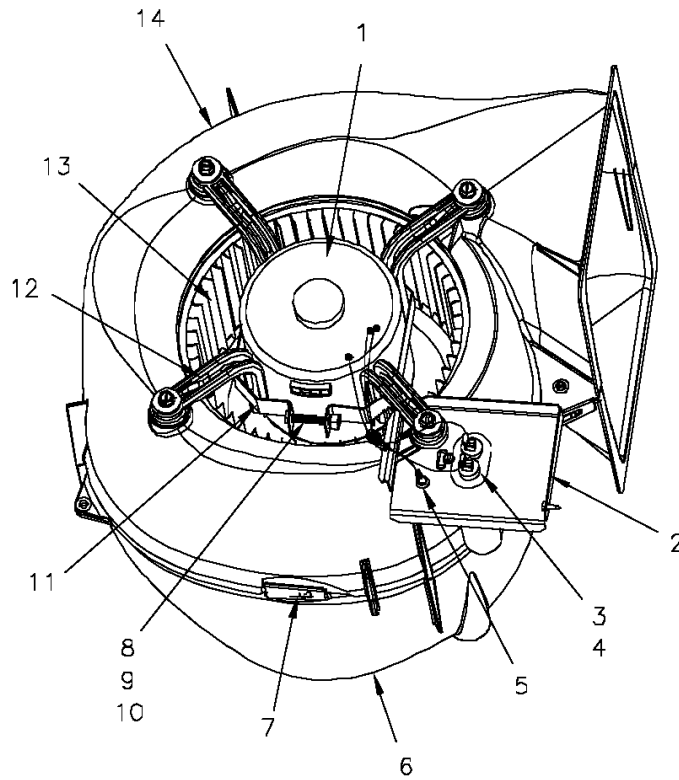
Part No.	Reference No.	Quantity	Description
LUG00014	*	1	LUG, GROUND
SEN01369	*	1	SENSOR; ASSEMBLY, 9.75 K RESISTANCE OHMS AT 75 DEG F, BLACK WIRES, 79 IN AND 81 IN
WIR04410	*	1	WIRE; HARNESS, START KIT
WIR04539	*	1	WIRE; HARNESS, CONTROL. INCLUDES SEN01369 (ODS), CON00211, RCT00062 AND (2) CON00251.
TRR01898	1	1	TRANSFORMER; 50VA, 208/240V PRI, 24V SEC
RLY03081	2	1	RELAY; TIME DELAY, POWER POLE-7 FLA, 36 RLA AT 240VAC, PILOT POLE-25 VA AT 24 VAC, 2 SEC ON-DELAY, 45 SEC OFF-DELAY (INCLUDES PC BOARD)
BRD00385	3	1	BOARD; TERMINAL, FAN, 24V, 3 POLE
CNT04695	4	1	CONTROL; DEFROST (USE ON FT. SMITH PRODUCTS ONLY)
CTR01333	5	1	CONTACTOR; 2 POLE, NO, 40 FLA AT 240V, 50/60 HZ, 50 RES AMPS, 24V COIL, 40 FLA AT 277/480/600V
CPT00320	6	1	CAPACITOR; START, 176-216 MFD, 320V, ROUND, W/ RESISTOR
RLY02711	7	1	RELAY, START, SPST, 50A COIL, 153V PICK UP, 115V DROP OUT

Blower

75008358

REV  
E

Typical illustration. Unit may not appear exactly as shown.



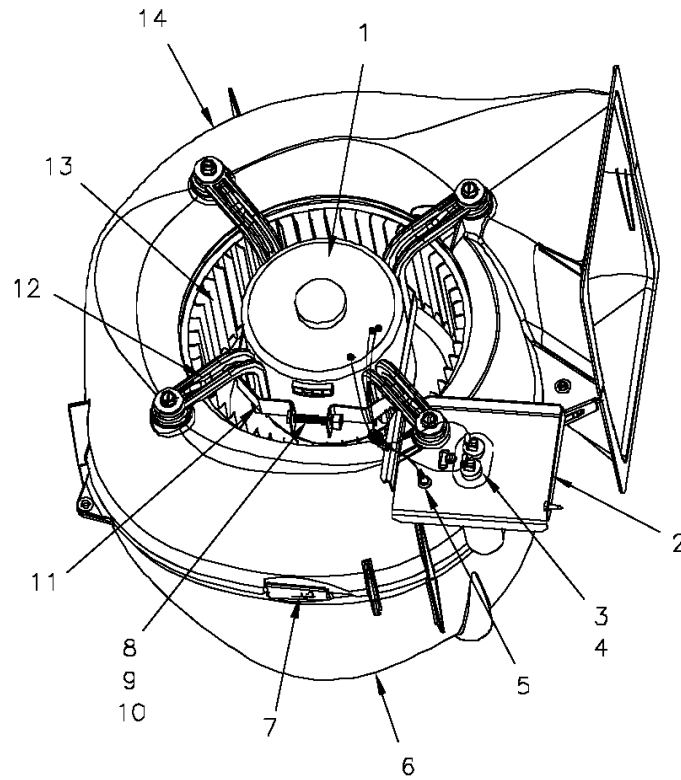
Part No.	Reference No.	Quantity	Description
75008358_4WCCUP1_283826~P	*		BLOWER PARTS LIST

Blower

75008358

REV  
E

Typical illustration. Unit may not appear exactly as shown.



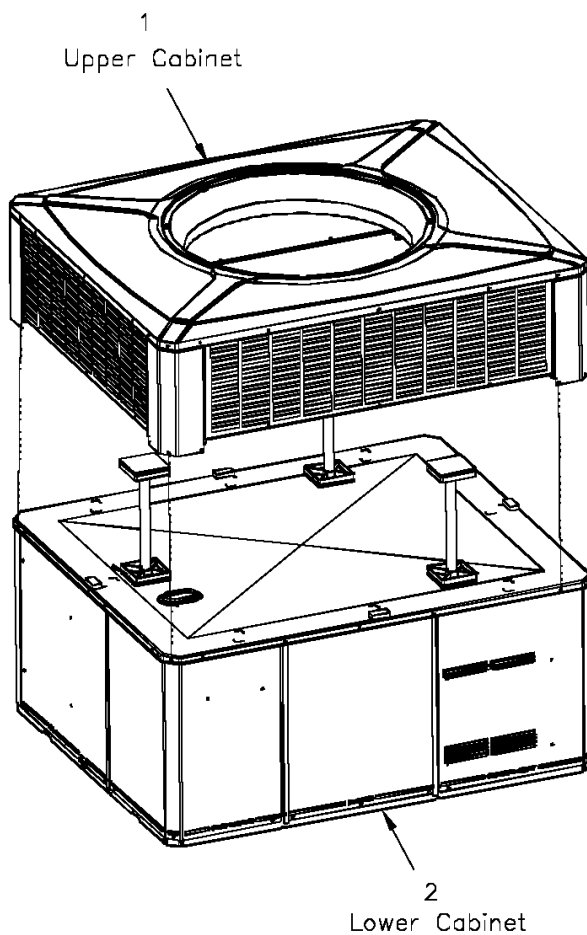
Part No.	Reference No.	Quantity	Description
BLW00970	*	1	BLOWER; ASSEMBLY, COMPLETE
MOT12406	1	1	MOTOR; INDOOR, 1/8 HP, 200-230/60/1, 825 RPM, TYPE KCP, CW, BALL BEARINGS, 10 MFD CPT AT 370V
BRK03542	2	1	BRACKET; BLOWER RETAINER, 4.32 X 3.45
CPT00088	3	1	CAPACITOR; RUN, 10 MFD, 440V OVAL, W/O RESISTOR
SCR00965	4	1	SCREW, 10-16 AB HXW 1/2 S N
SCR01918	5	1	SCREW, 10-24 THREAD ROLL, INDENT HEX WASHER HD
HUS03805	6	1	HOUSING; BLOWER RIGHT SIDE WITHOUT MOUNTING HOLES, MOLDED GLASS FIBER POLYESTER, COLOR: NATURAL
CLP01011	7	4	CLIP; CLEAT
SCR01584	8	1	BOLT; 1/4-20 MA HX 1.5 S
NUT00487	9	1	NUT; STEEL HEX, 1/4-20
WAS00646	10	1	WASHER; STEEL SPRING LOCK, 1/4 INCH
BND00026	11	1	BAND; MOTOR MOUNT
BRK03396	12	4	BRACKET; ARM-MOTOR
WHL02557	13	1	WHEEL; BLOWER, 53 BLADES, CCW, CONCAVE DISC, 11.75 X 10.62
HUS03804	14	1	HOUSING; BLOWER LEFT SIDE WITH 4 MOUNTING HOLES, MOLDED GLASS FIBER POLYESTER, COLOR: NATURAL

Cabinet

75008359

REV  
A

Typical illustration. Unit may not appear exactly as shown.



View is determined by facing Appearance Nameplate

Parts List Number :75008360#4WCCUP1

Model Number :4WCC3018A1000AA

<b>Part No.</b>	<b>Reference No.</b>	<b>Quantity</b>	<b>Description</b>
75008359_4WCCUP1_189129~P	*		CABINET PARTS LIST
75008379#4WCCUP1~S	*		LOWER CABINET
75008357#4WCCUP1~S	*		UPPER CABINET

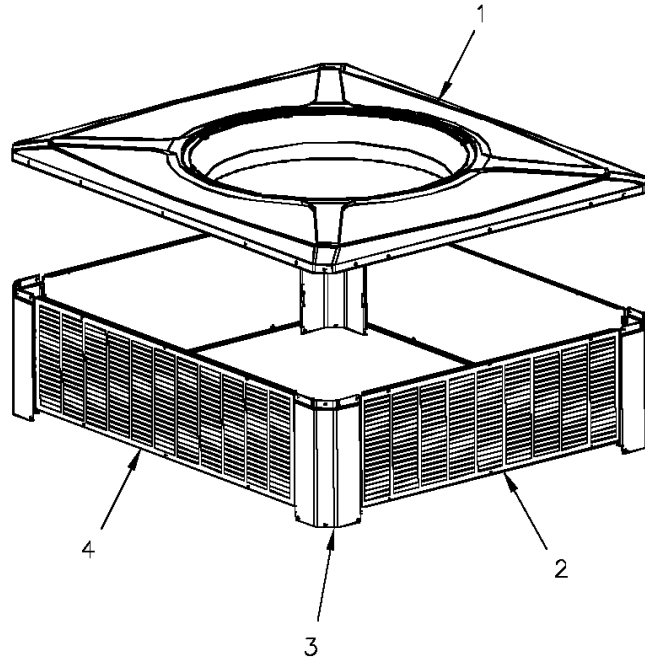
Cabinet

75008357

REV  
A

upper

Typical illustration. Unit may not appear exactly as shown.



Parts List Number :75008360#4WCCUP1

Model Number :4WCC3018A1000AA

Part No.	Reference No.	Quantity	Description
75008357_4WCCUP1_189130~P	*		UPPER CABINET PARTS LIST

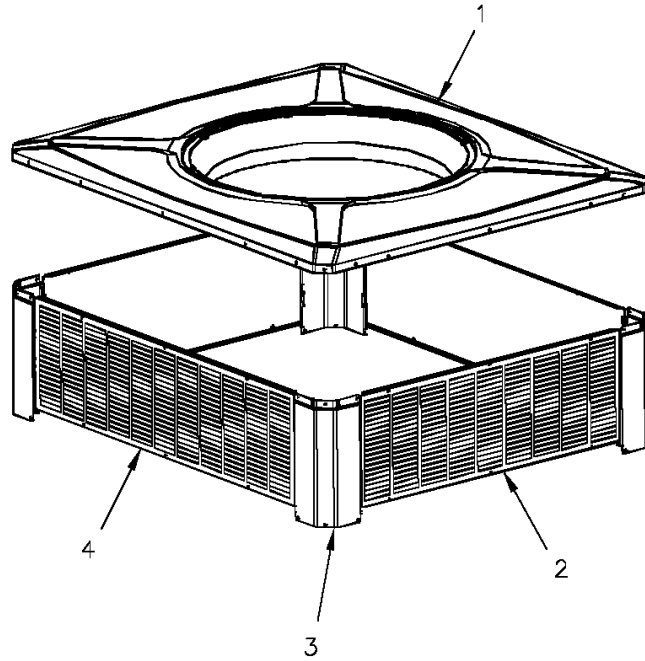
Cabinet

75008357

REV  
A

upper

Typical illustration. Unit may not appear exactly as shown.



<b>Part No.</b>	<b>Reference No.</b>	<b>Quantity</b>	<b>Description</b>
SCR01510	*	24	SCREW; 10-16 AB HXW 1/2 SN
SUP05014	*	3	SUPPORT; OD COIL, BOTTOM, 4X4, INCLUDES GASKET
SUP05015	*	3	SUPPORT; OD COIL, TOP, 4X4, INCLUDES GASKET
TUB12006	*	3	TUBE; SUPPORT, TOP PIPE, .75 DIA, SCHEDULE 40 GREY PVC, 12.46 INCHES
COV03694	1	1	COVER; OUTDOOR, TOP, 48.61 X 41.08
PNL22006	2	2	PANEL; METAL LOUVER, 32.00 X 11.40
PNL22001	3	4	PANEL; CORNER POST, 11.84 H
PNL22010	4	2	PANEL; METAL LOUVER, 39.53 X 11.40

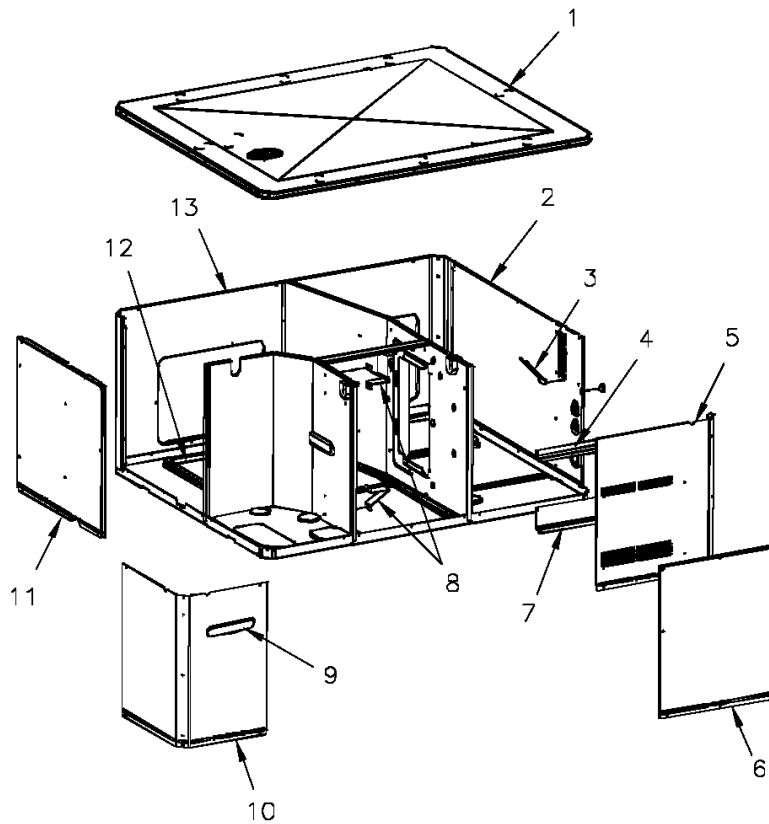
Cabinet

75008379

REV  
A

lower

Typical illustration. Unit may not appear exactly as shown.



View is determined by facing Appearance Nameplate

Parts List Number :75008360#4WCCUP1

Model Number :4WCC3018A1000AA

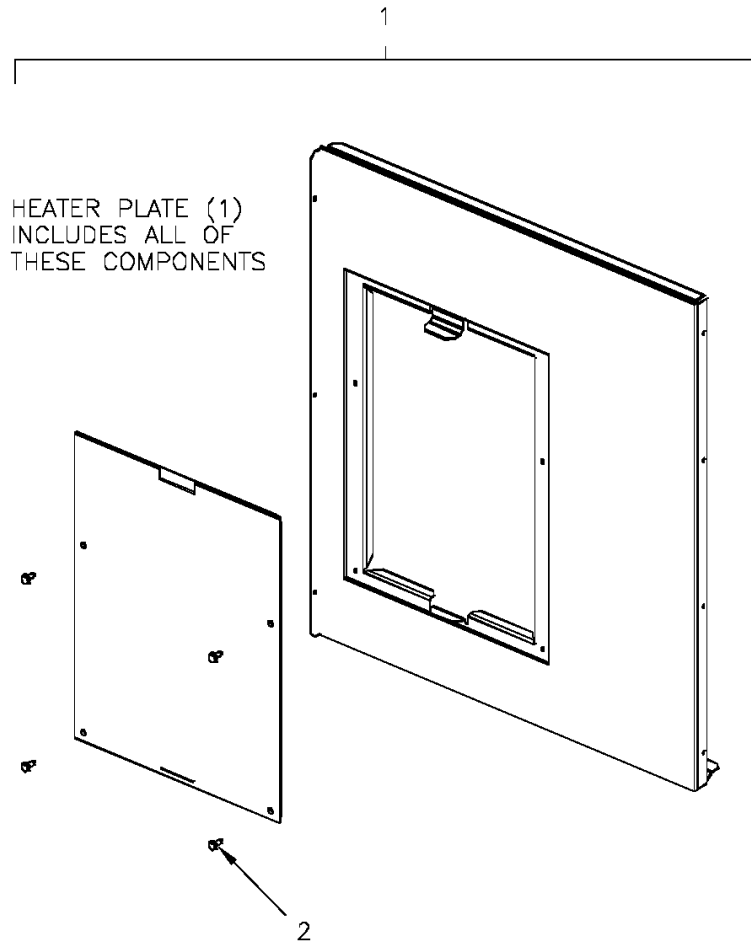
<b>Part No.</b>	<b>Reference No.</b>	<b>Quantity</b>	<b>Description</b>
75008355#4WCCUP1~S	*		ELECTRIC HEATER PLATE
75008379_4WCCUP1_189131~P	*		LOWER CABINET PARTS LIST

Electric Heater Plate

75008355

REV  
A

Typical illustration. Unit may not appear exactly as shown.



ELECTRIC HEATER PLATE

Parts List Number :75008360#4WCCUP1

Model Number :4WCC3018A1000AA

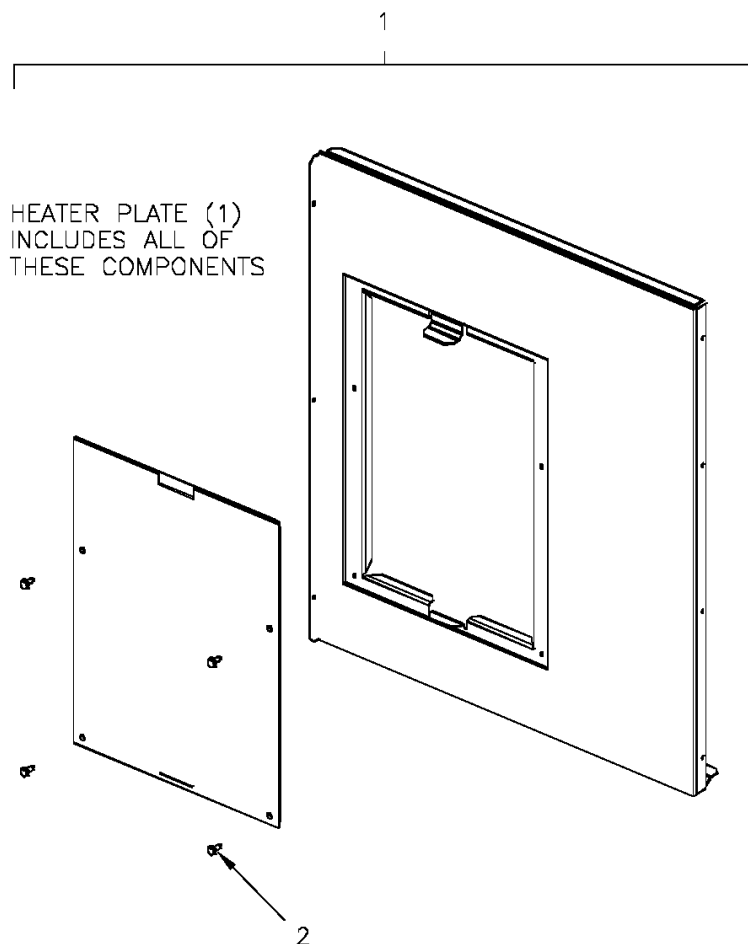
Part No.	Reference No.	Quantity	Description
75008355_4WCCUP1_189132~P	*		ELECTRIC HEATER PLATE PARTS LIST

Electric Heater Plate

75008355

REV  
A

Typical illustration. Unit may not appear exactly as shown.



<b>Part No.</b>	<b>Reference No.</b>	<b>Quantity</b>	<b>Description</b>
PLT04182	1	1	PLATE; ELECTRIC HEATER, 21.15 x 18.30. INCLUDES BARRIER AND PLATE
SCR01510	2	12	SCREW; 10-16 AB HXW 1/2 SN

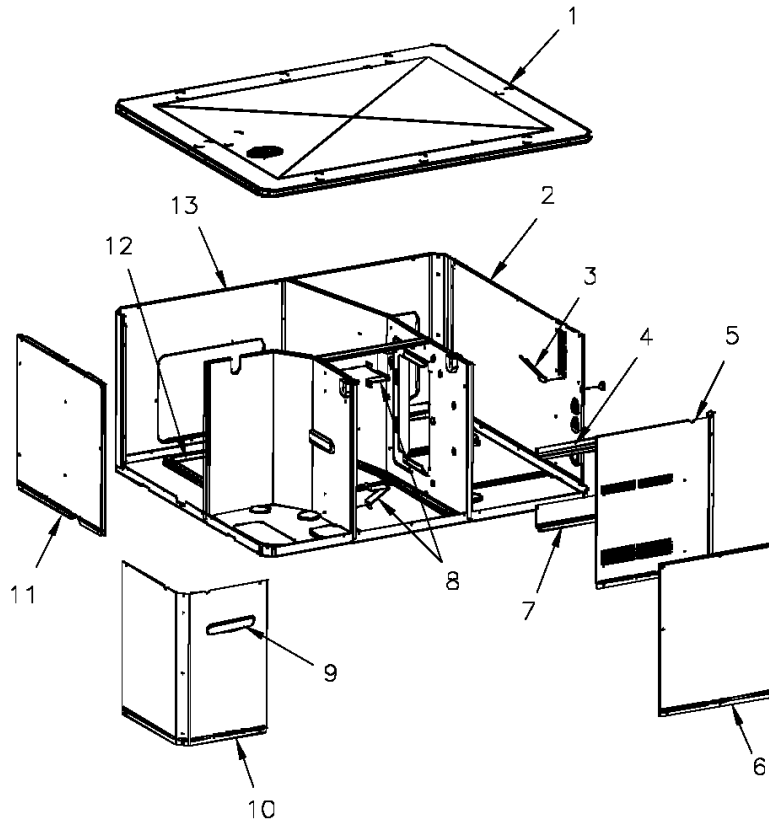
Cabinet

75008379

REV  
A

lower

Typical illustration. Unit may not appear exactly as shown.



View is determined by facing Appearance Nameplate

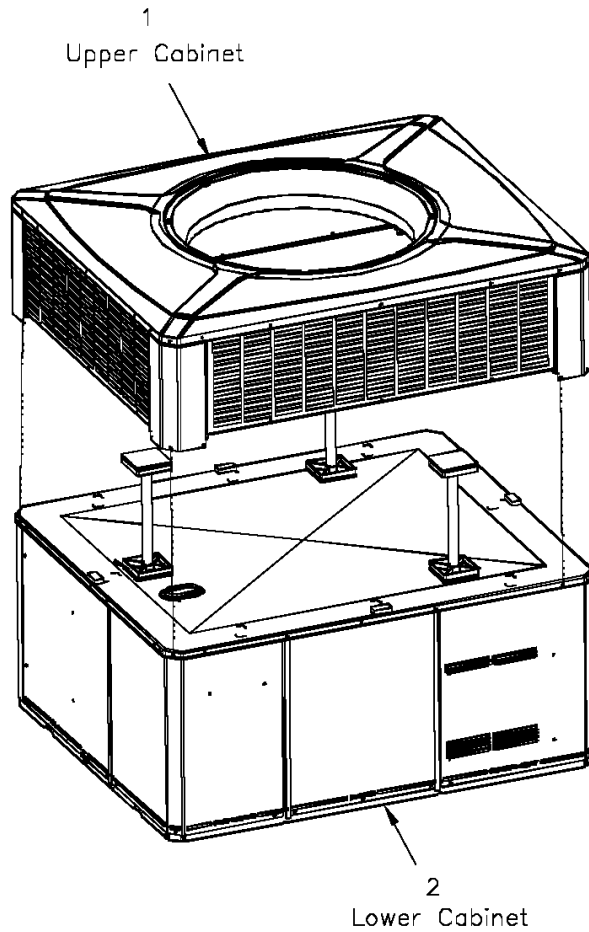
<b>Part No.</b>	<b>Reference No.</b>	<b>Quantity</b>	<b>Description</b>
PNL26584	*	1	PANEL; BLOWER BARRIER, 41.05 X 21.15
COV03696	1	1	COVER; INDOOR, TOP, 48.61 X 41.08
PNL22036	2	1	PANEL; ELECTRIC HEAT ACCESS, 35.49 X 20.91
SHD00397	3	1	SHIELD; LOUVER, TOP, 5.0 X 1.9
SHD00396	4	1	SHIELD; LOUVER, CONTROL ACCESS PANEL, 12.95 X 1.50
PNL22041	5	1	PANEL; CONTROL/HEAT ACCESS, 17.93 X 20.70
PNL22013	6	1	PANEL; BLOWER ACCESS, 17.63 X 20.70
SHD00395	7	1	SHIELD; LOUVER, CONTROL ACCESS PANEL, 12.95 X 3.40
BRK03541	8	2	BRACKET; BLOWER SUPPORT, V-SHAPED, 3.13 X 2.75 X 1.50
PLT04112	9	1	PLATE; APPEARANCE NAMEPLATE, TRANE, 7.5 X 1.8
PNL21998	10	1	PANEL; COMPRESSOR ACCESS, 20.7 X 12.7 & 20.7 X 15.5
PNL22039	11	1	PANEL; INDOOR COIL ACCESS, 22.42 X 20.70
COV03698	12	2	COVER; SUPPLY AND RETURN, 15.88 X 11.88
PNL22034	13	1	PANEL; SUPPLY AND RETURN, 48.41 X 20.88

Cabinet

75008359

REV  
A

Typical illustration. Unit may not appear exactly as shown.

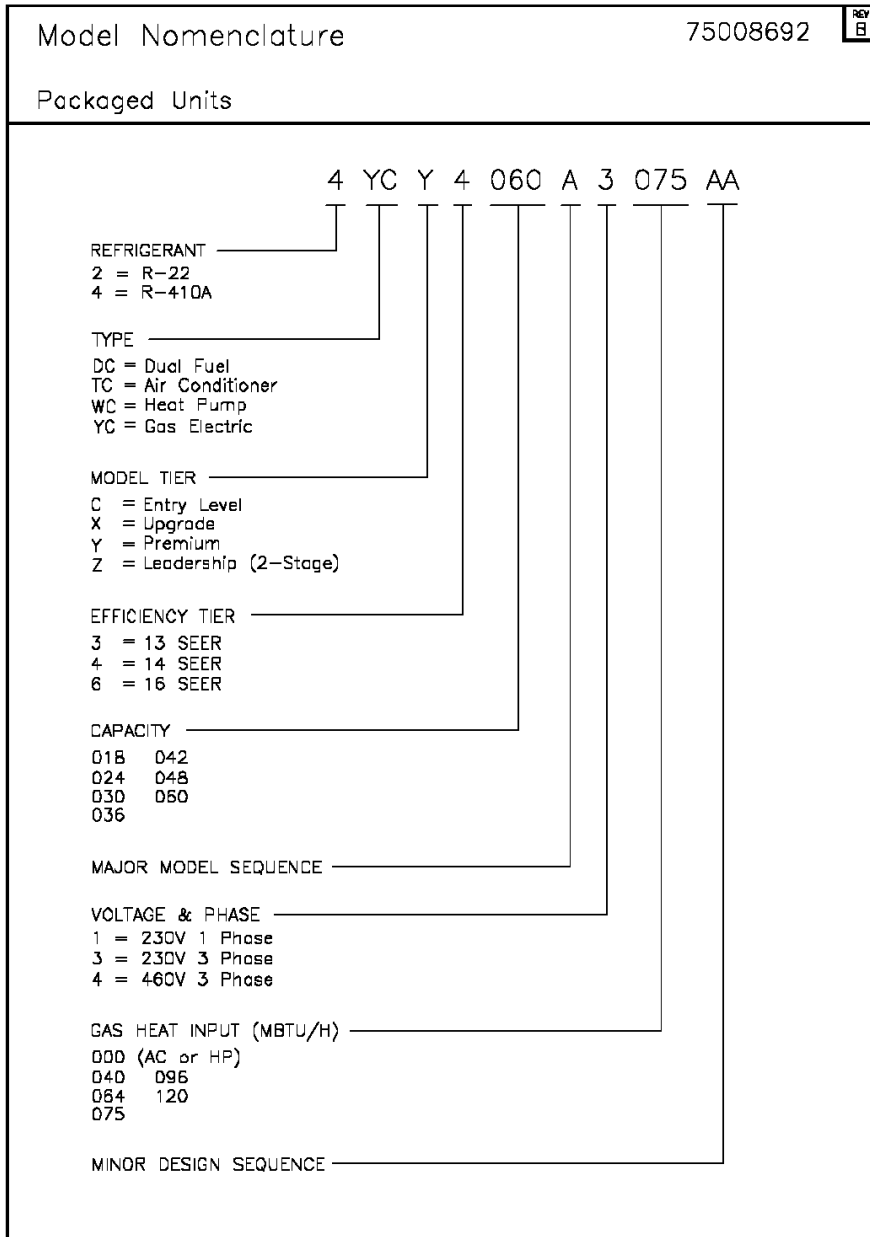


View is determined by facing Appearance Nameplate

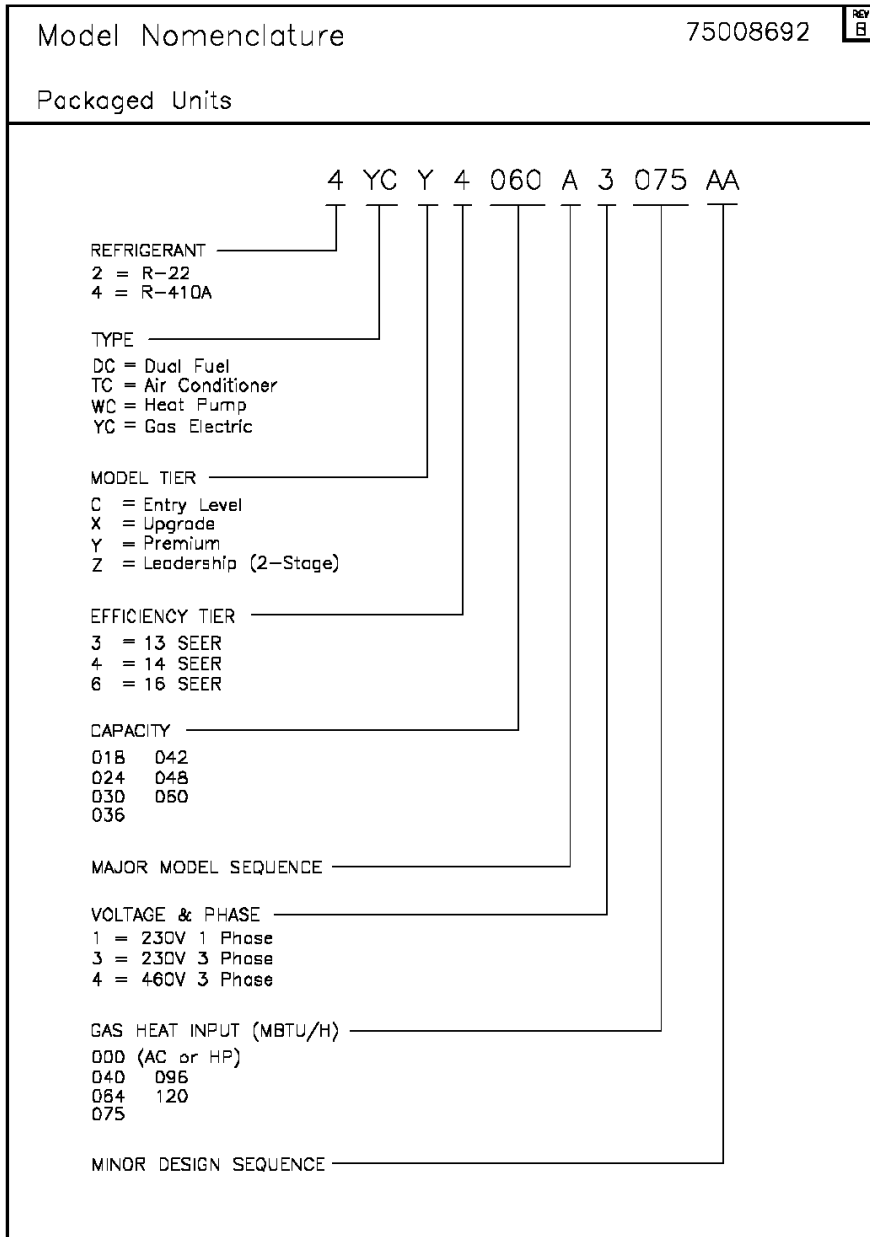
Parts List Number :75008360#4WCCUP1

Model Number :4WCC3018A1000AA

Part No.	Reference No.	Quantity	Description
PAI00074	*	3	PAINT; SPRAY, SLATE GREY, FULL GLOSS(88) (SHIPPING UOM 12 OZ HAZ)



Part No.	Reference No.	Quantity	Description
75008692_4WCCUP1_189139~P	*		MODEL NOMENCLATURE PARTS LIST



Parts List Number :75008360#4WCCUP1

Model Number :4WCC3018A1000AA

Part No.	Reference No.	Quantity	Description
NGRAPHIC_4WCCUP1_283832~ P	*		OPTIONAL FIELD INSTALLED ACCESSORIES PARTS LIST

NO GRAPHIC AVAILABLE

75013702

REV  
A

**NO  
GRAPHIC  
AVAILABLE**

Parts List Number :75008360#4WCCUP1

Model Number :4WCC3018A1000AA

Part No.	Reference No.	Quantity	Description
BAYUV101A	*	1	25 WATT UV LIGHT KIT FOR SMALL PACKAGED UNITS
ECN00111	*	1	ECONOMIZER; DOWN DISCHARGE, AND RAIN HOOD (BAYECON101AA)
ECN00113	*	1	ECONOMIZER; HORIZONTAL (BAYECON200AA)
HTR08651	*	1	HEATER; ELECTRIC, 3.76/5.0 KW, 208/240/1 (BAYHTRV105EA)
HTR08652	*	1	HEATER; ELECTRIC, 6.0/8.0 KW, 208/240/1 (BAYHTRV108EA)
KIT03361	*	1	KIT; LIFTING LUGS-BAYLIFT002B (CTN = 6 PIECES)
KIT06658	*	1	KIT; ENTHALPY CONTROL (BAYENTH001AB)
KIT13551	*	1	KIT; CURB ADAPTER (BAYADAP050AA)
KIT13552	*	1	KIT; CURB ADAPTER (BAYADAP051AA)
KIT13556	*	1	KIT; CRANKCASE HEATER, 230V RECIP COMPRESSORS (BAYCCHT101AA)
KIT13559	*	1	KIT; 12 INCH DUCT SHROUD COVERS HORIZONTAL (BAYCOVR112AA)
KIT13560	*	1	KIT; 18 INCH DUCT SHROUD COVERS HORIZONTAL (BAYCOVR118AA)
KIT13565	*	1	KIT; EXTREME CURB MOUNTING (BAYEXMK001AA)
KIT13567	*	1	KIT; EXTREME CURB MOUNTING (BAYEXMK003AA)
KIT13571	*	1	KIT; OUTSIDE AIR, MANUAL DAMPER (BAYOSAH001AA)
KIT13573	*	1	KIT; QUICK START (BAYQSTK300AA)
KIT13575	*	1	KIT; SQUARE/ROUND DUCT ADAPTER (BAYSQRD001AA)
KIT13640	*	1	KIT; LOW AMBIENT COOLING, HEAD PRESSURE CONTROL (BAYLOAM105AA)
KIT15096	*	1	KIT; FILTER FRAME (BAYFLTR101BA). USE ONE 20 X 25 FILTER - NOT INCLUDED.
KIT15141	*	1	KIT; ACCESS DOOR, 1-1/2 TO 3 TON MODELS (BAYACCDOR1AA)
KIT15305	*	1	KIT; SINGLE POWER ENTRY (BAYSPEK060EA)
KIT15323	*	1	KIT; EXTREME CURB MOUNTING (BAYEXMK002BA)
KIT15325	*	1	KIT; SQUARE/ROUND DUCT ADAPTER (BAYUTIL101BA)
KIT15403	*	1	KIT; ECONOMIZER, HINGED FILTER ACCESS DOOR AND FILTER FRAME (BAYECONCOMB101A)
RLY01652	*	1	RELAY; KIT (BAYRLAY004AA)
TMR00140	*	1	TIMER; ANTISHORT CYCLE (BAYASCT001)