

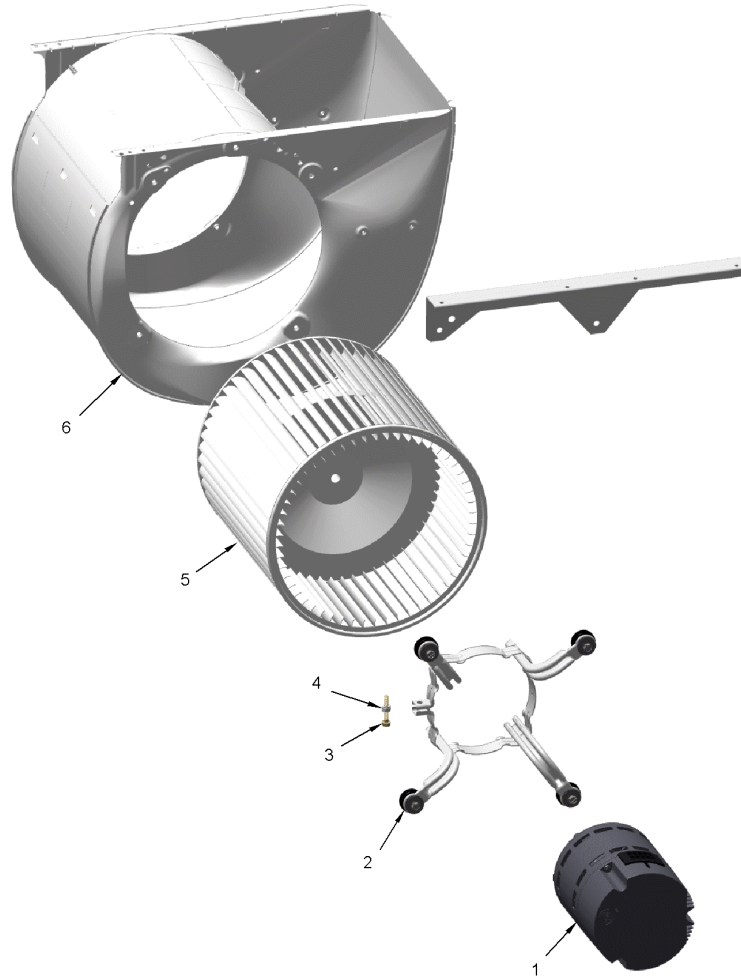
Part No.	Reference No.	Quantity	Description
0000096912~S	*		BLOWER DECK
0000096911~S	*		BLOWER
0000096913~S	*		CABINET
0000096914~S	*		CONTROLS
0000096997~S	*		FAN
0000096937~S	*		MODEL NUMBER DESCRIPTION
0000096915~S	*		REFRIGERATION

Part No.	Reference No.	Quantity	Description
0000050089~P	*		BLOWER PARTS LIST

BLOWER

75013634

RP
A



This is a typical illustration. The unit in the field may not appear exactly as shown.

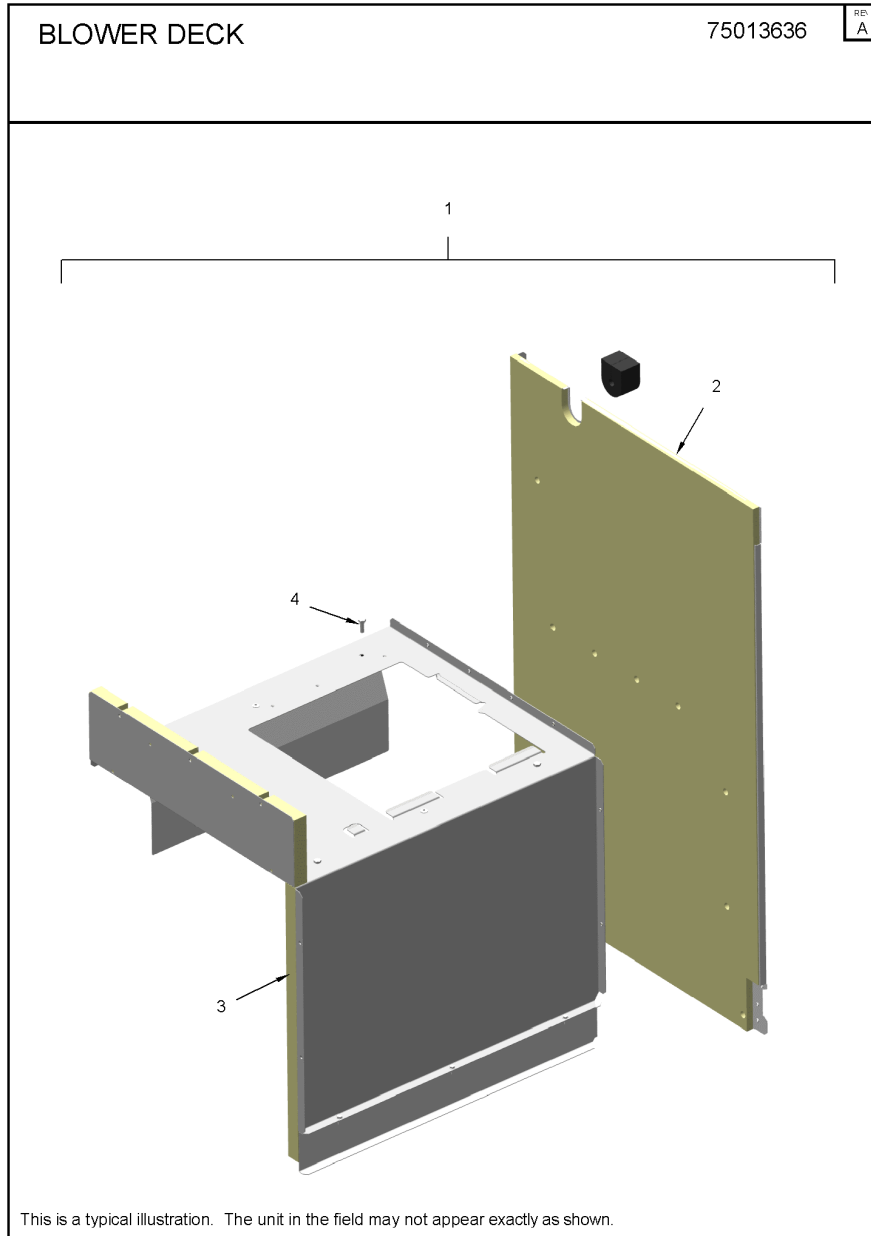
Part No.	Reference No.	Quantity	Description
BRK05028		1	BRACKET; MOTOR MOUNT, 3.28 X 4.55, INCLUDES GROMMET
SCR02108		4	SCREW; SCR 10-16 AB HXW 5/8 S
MOT20214	1	1	MOTOR; ASM, PROGRAMMED, CONSTANT TORQUE 1HP
BND00917	2a	1	BAND; BELLY BAND ASSEMBLY, INCLUDES BAND, MOTOR LEGS, MOUNTING HARDWARE
MOT19283	2b	4	MOUNT; MOTOR MOUNT BRACKET, LEG & SCREW ASM
NUT01063	4	1	NUT; LOCKING NYLON
WHL03718	5	1	WHEEL; BLOWER, 11.95 IN DIA, 11.93 IN WIDTH, 0.50 IN BORE, 54 BLADES, CW
HUS04352	6	1	HOUSING; BLOWER, METAL, 12.125 INTERIOR WIDTH

BLOWER DECK

Parts List Number :0000096908

Model Number :4WCA4060C1000AA

Part No.	Reference No.	Quantity	Description
0000050109~P	*		BLOWER DECK



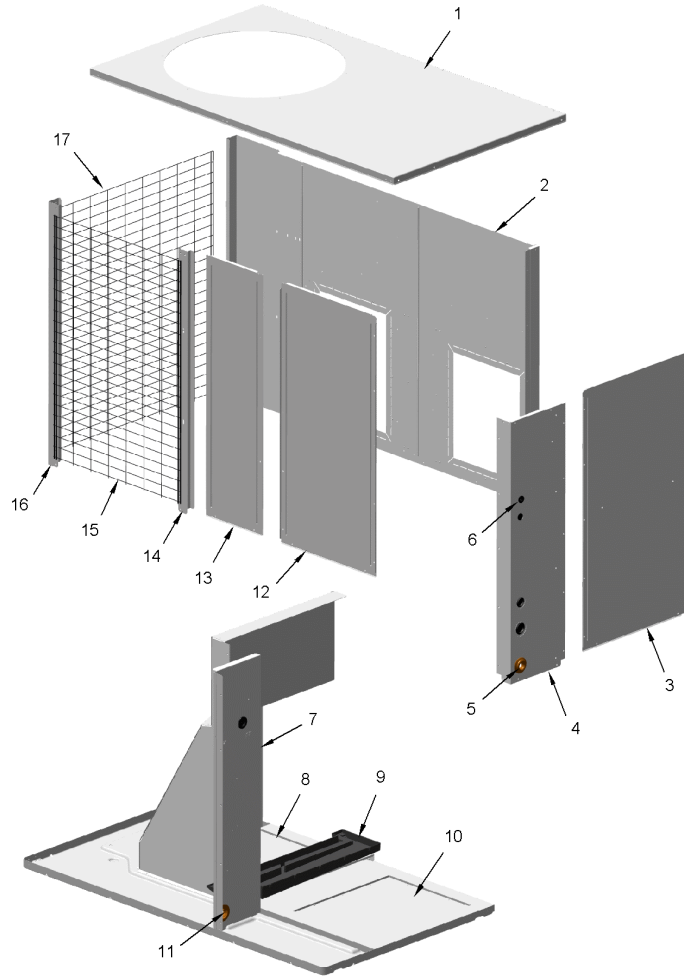
Part No.	Reference No.	Quantity	Description
SCR02108	*	22	SCREW; SCR 10-16 AB HXW 5/8 S
PNL36693	1	1	PANEL; HX PANEL ASSY, BLOWER DECK
PNL36690	2	1	PANEL; HX PANEL ASSY
BLW01602	3	1	BLOWER; DECK ASSY
NUT01063	4	4	NUT; LOCKING NYLON

Part No.	Reference No.	Quantity	Description
0000050168~P	*		CABINET PARTS LIST

CABINET

75013628

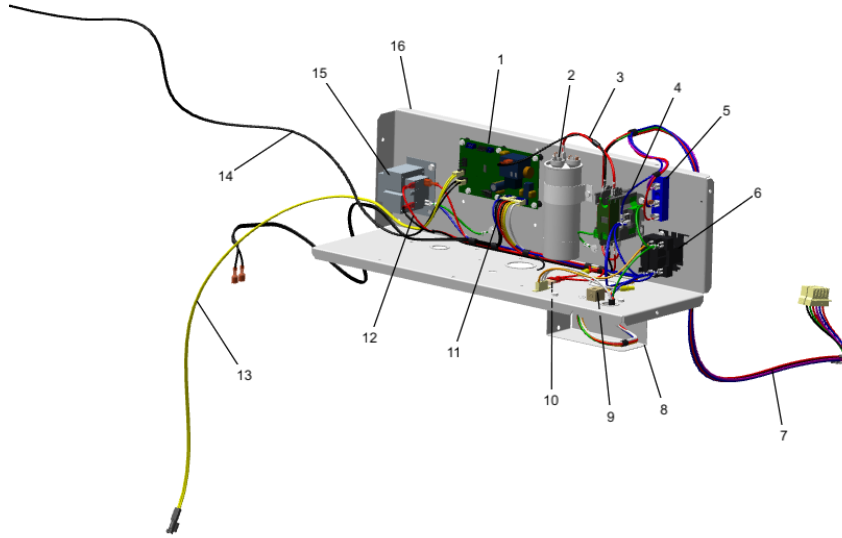
RP
A



This is a typical illustration. The unit in the field may not appear exactly as shown.

Part No.	Reference No.	Quantity	Description
PLN01511	*	1	PLENUM; ASSY-SIDE
SCR02108		79	SCREW; SCR 10-16 AB HXW 5/8 S
COV05735	1	1	COVER; TOP ASSY
PNL36688	2	1	PANEL; S&R PANEL ASSY
BLW01606	3	1	PANEL; BLOWER ACCESS
SUP06571	4	1	SUPPORT; CONTROL BOX CORNER POST
GRM00118	6	1	GROMMET; 3/16 IN ID, NEOPRENE
PNL36684	7	1	PANEL; CONTROL BOX SIDE
COV05736	8	1	COVER; ASSY S/R
PAN04208	9	1	PAN; PLASTIC DRAIN
COV05734	10	1	COVER; SUPPLY & RETURN ASSY
GRM00277	11	1	GROMMET; .96 ID X .05 - .12 GRV, 3/4 IPS
PNL36699	12	1	PANEL; ASSY, CONTROL BOX ACCESS
PNL36686	13	1	PANEL; COIL ACCESS
SUP06569	14	1	SUPPORT; MID-POST
GRL02233	15	1	GRILLE; OD WIRE
SUP06567	16	1	SUPPORT; CORNER POST
GRL02232	17	1	GRILLE; OD WIRE

Part No.	Reference No.	Quantity	Description
0000050114~P	*		CONTROL BOX PARTS LIST



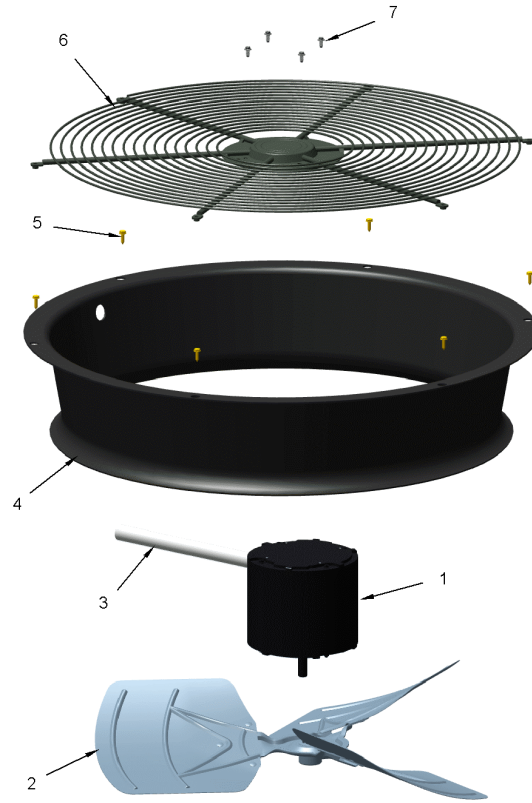
Part No.	Reference No.	Quantity	Description
BRK05223		1	BRACKET;
CON00241		1	CONNECTOR; WIRE
COV05654		1	COVER; LOW VOLTAGE BARRIER
GRD01026		1	GUARD; EDGE TRIM, 8.00 IN LENGTH
INS00306		1	INSULATION;
RES00843		1	RESISTOR; 9.750 K OHMS
RTR01001		1	RETAINER; CLIP
SCR01511		7	SCREW; 10-16 B HXW 1/2 S
SCR01924		8	SCREW; 6-32 X .75, THREAD ROLLING SCREWS-ZINC PLATED, HEX WASHER
SCR02108		4	SCREW; SCR 10-16 AB HXW 5/8 S
SCR02321		1	SCREW;
SRP00093		1	STRAP;CAPACITOR
SUP02752		1	SUPPORT; SENSOR, BLACK PLASTIC, 0.50 X 1.68 X 3.10
TER00312		3	TERMINAL; 8IN. TIE CABLE
WIR00767		2	WIRE; SPLICE
WIR10030		1	WIRE; HARNESS, 6 PIN TO ODM, CC, TNS, P6 TO DFC
CPT02362	2	1	CAPACITOR; RUN, 70 MFD, 370V, OVAL, W/O RESISTOR
WIR09704	3	1	WIRE; HARNESS, CC TO CF, RED WIRE
CTR01333	4	1	CONTACTOR; 2 POLE, NO, 40 FLA AT 240V, 50/60 HZ, 50 RES AMPS, 24V COIL, 40 FLA AT 277/480/600V
BLK01736	5	1	BLOCK; TERMINAL
RLY03876	6	1	RELAY;
LUG00014	9	1	LUG, GROUND
FUS01089	10	1	FUSE; 5 AMP, TAN, AUTOMOTIVE STYLE
WIR10029	11	1	WIRE; HARNESS, DFC, FTB, H, CC, CF, TNS, SOV, PPM TO OPTIONAL ELECTRIC HEAT
WIR09689	12	1	WIRE; HARNESS, POWER, CC TO TNS, 2 WIRES-RD & BK
SEN02853	13	1	SENSOR; COIL TEMP
RES00171	14	1	RESISTOR; THERMISTOR, BLACK (OUTDOOR AIR SENSOR OR AMBIENT SENSOR)
TRR02404	15	1	TRANSFORMER; 50VA, 208/240 V PRI, 24V SEC

Part No.	Reference No.	Quantity	Description
0000050081~P	*		FAN ASM-OD

FAN

75013632

RP
A



This is a typical illustration. The unit in the field may not appear exactly as shown.

Part No.	Reference No.	Quantity	Description
FAN06221	1	1	FAN; 3-BLADE
NUT00845	2	4	NUT; FLANGE NIBBED
ORF01695	3	1	ORIFICE; PLASTIC INLET, 23.36 ID
GRL01863	4	1	GRILL; OUTDOOR FAN, WIRE, 26.85 MOUNTING DIA
ORF02078	5	1	ORIFICE-TOP
MOT19252	6	1	MOTOR-OD 1/3 208-230/1
SCR02108	7	6	SCREW; SCR 10-16 AB HXW 5/8 S

Part No.	Reference No.	Quantity	Description
000008616~P	*		MODEL NUMBER GRAPHIC

MODEL NUMBER DESCRIPTION
PACKAGED UNITS

75011470

REV
C

Example Model Number:
4 Y C Y 5 0 4 8 A 1 0 9 0 A A
1 - - - 5 - - - 10 - - - 15

Digit 1 – Refrigerant
4 = R-410A

Digit 2 – Type
Y = Gas Electric
W = Heat Pump
D = Dual Fuel
T = Air Conditioner

Digit 3 – Model Tier
C = Convertible
H = Horizontal (only)

Digit 4 – Model Tier
C = Entry Level
X = Upgrade
Y = Premium
Z = Leadership - (2-Stage)
A = RunTru Brand

Digit 5 – Efficiency Tier
3 = 13 SEER
4 = 14 SEER
5 = 15 SEER
6 = 16 SEER

Digits 6,7,8 – Capacity in 1000's (BTUH)
018 042
024 048
030 060
036

Digit 9 – Major Design Change

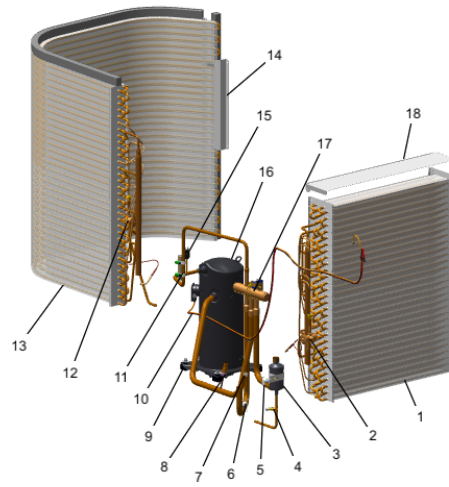
Digit 10 – Voltage & Phase
1 = 230V 1 Phase
3 = 230V 3 Phase
4 = 460V 3 Phase

Digit 11,12,13 – Gas Heat Input (MBTU/H)
000 (AC or HP) 075
040 096
064 120

Digit 14 – Minor Design Change

Digit 15 – Service Digit - Not Orderable

Part No.	Reference No.	Quantity	Description
0000050172~P	*		REFRIGERANT SYSTEM HP



Part No.	Reference No.	Quantity	Description
CLP00181		1	CLIP; BULB
CLP01073		1	CLIP; BULB (RED)
DST00898		1	DISTRIBUTOR; 8 OUTLETS, 19 ODS, .50 ODM INLET, BRASS
KIT08039		4	KIT; GROMMETS. COMPRESSOR MOUNTING. (CONSISTS OF 4), 0.44 ID X 1.63 OD NEOPRENE RUBBER-BLACK 45-55 DUROMETER
SCR02108		3	SCREW; SCR 10-16 AB HXW 5/8 S
SWT04689		1	SWITCH; LOW PRESSURE BZ
TER00312		8	TERMINAL; 8IN. TIE CABLE
TIE00023		2	TIE;CABLE, 8.00IN.
TIE00027		2	TIE; CABLE
TUB15474		1	TUBE; TU-SOV (8-U-A-B-1)27
VAL19749		1	VALVE; EXPANSION
WIR04816		1	WIRE; PLUG-SCROLL COMPRESSOR
COL29649	1	1	COIL; ASSEMBLY; OUTDOOR, FLAT FIN
DHY01451	3	1	DRIER; BI-FLOW; SERVICE FIRST; 8 CU. IN; DCB083S, 3/8 ODF CONNECTIONS; 2.3 TON CAPACITY; APPROVED FOR MINERAL OIL AND POE OIL REFRIGERANTS; MANUFACTUR
COR00103	4b	2	CORE; VALVE, .79 LENGTH, .206-36 UNS-1 MOD. THD
TEE00095	4c	1	TEE; COPPER
VAL01483	4d	1	VALVE; BODY, .44-20 THD X .25 ODS, STRAIGHT, BRASS, LESS CORE
BOD00114	7a	1	BODY; VALVE, BRASS, 7/16 HEX, 7/16 -20 UNF-2A
CAP00455	7b	2	CAP; HUB, 7/16-20 STRAIGHT
BLT00809	9a	4	BOLT; CARRIAGE, 5/16-18 X 1-3/4
GKT01820	9b	4	GASKET; 3/4 OD X 7/16 ID X .06 THK
NUT00355	9d	4	NUT; HEX, LOCK, 5/16IN.-18
NUT00890	9e	4	NUT; PALLET, 5/16-18 UNC 2B THD.
WAS00638	9f	4	WASHER; FLAT, 5/16 INCH
VAL19629	12	1	VALVE; EXPANSION
COL30385	13	1	COIL; ASM-ID
PLT06752	14	1	PLATE; OD COIL BRACKET REAR PLATE FIN
SWT03274	15	1	SWITCH, HIGH PRESSURE, SPST, OPEN @ 650 PSIG, CLOSE @ 500 PSIG, 75" YELLOW LEAD
COM11769	16	1	COMPRESSOR; SCROLL; ALLIANCE; SBA051B1CPA, 4.25 TON; 51,000 BTUH; 208/230-60-1; R-410A; BRAZED; SUCTION 7/8; DISCHARGE 1/2; RLA 27.1
SBA051B1CPA	16a	0	COMPRESSOR SCROLL-#11769
VAL08884	17	1	VALVE; SWITCHOVER, 6 TON, 5/8 IN ODF X 7/8 IDF CONNECTION (INCLUDES SOLENOID COIL)