

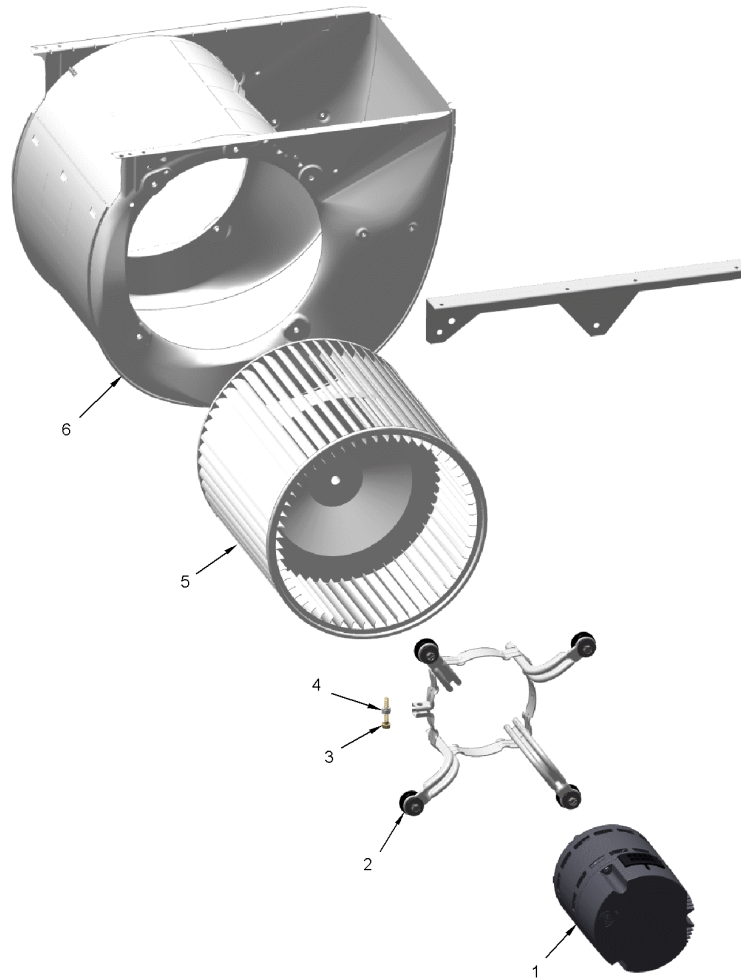
Part No.	Reference No.	Quantity	Description
0000096912~S	*		BLOWER DECK
0000096911~S	*		BLOWER
0000096913~S	*		CABINET
0000096914~S	*		CONTROLS
0000096997~S	*		FAN
0000096910~S	*		GENERAL ASSEMBLY
0000096937~S	*		MODEL NUMBER DESCRIPTION
0000096916~S	*		OPTIONAL ACCESSORIES
0000096915~S	*		REFRIGERATION

Part No.	Reference No.	Quantity	Description
000008457~P	*		BLOWER PARTS LIST

BLOWER

75013634

RP
A



This is a typical illustration. The unit in the field may not appear exactly as shown.

Part No.	Reference No.	Quantity	Description
MOT19330	1	1	MOTOR; CONSTANT TORQUE, PROGRAMMED, 1 HP, 230/50-60/1, 48 FRAME, BALL BEARING
BND00932	2a	1	BAND; MOTOR MOUNT, 17.62 LENGTH
MOT19283	2b	4	MOUNT; MOTOR MOUNT BRACKET, LEG & SCREW ASM
SCR01584	3	1	BOLT; 1/4-20 MA HX 1.5 S
NUT01063	4	1	NUT; LOCKING NYLON
WHL03718	5	1	WHEEL; BLOWER, 11.95 IN DIA, 11.93 IN WIDTH, 0.50 IN BORE, 54 BLADES, CW
HUS04352	6	1	HOUSING; BLOWER, METAL, 12.125 INTERIOR WIDTH

BLOWER DECK

Parts List Number :0000096908

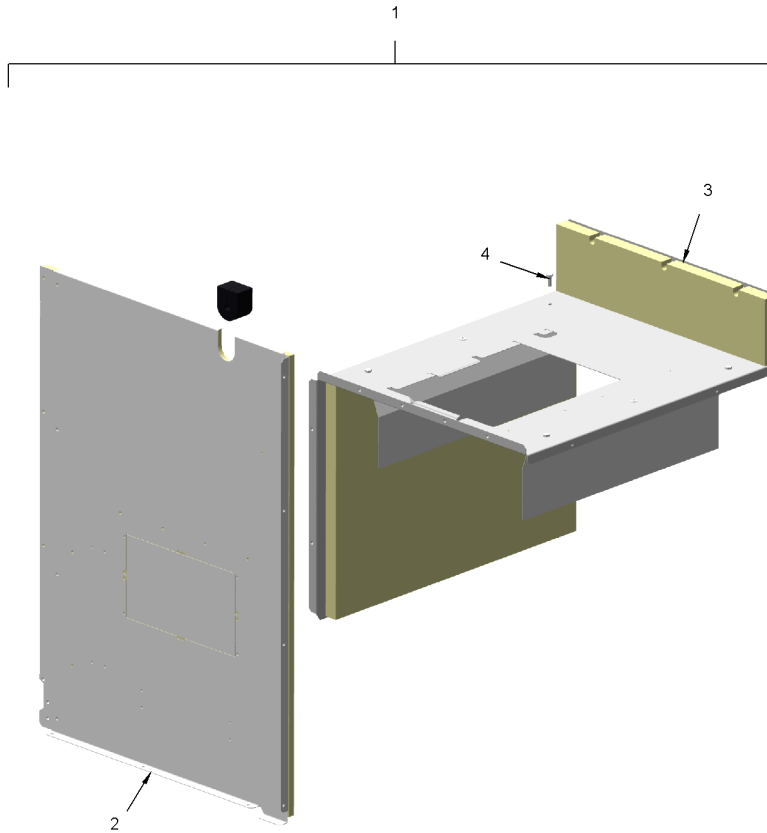
Model Number :4WCA4060A1000AA

Part No.	Reference No.	Quantity	Description
000008376~P	*		BLOWER DECK PARTS LIST

BLOWER DECK

75013635

RP
A



This is a typical illustration. The unit in the field may not appear exactly as shown.

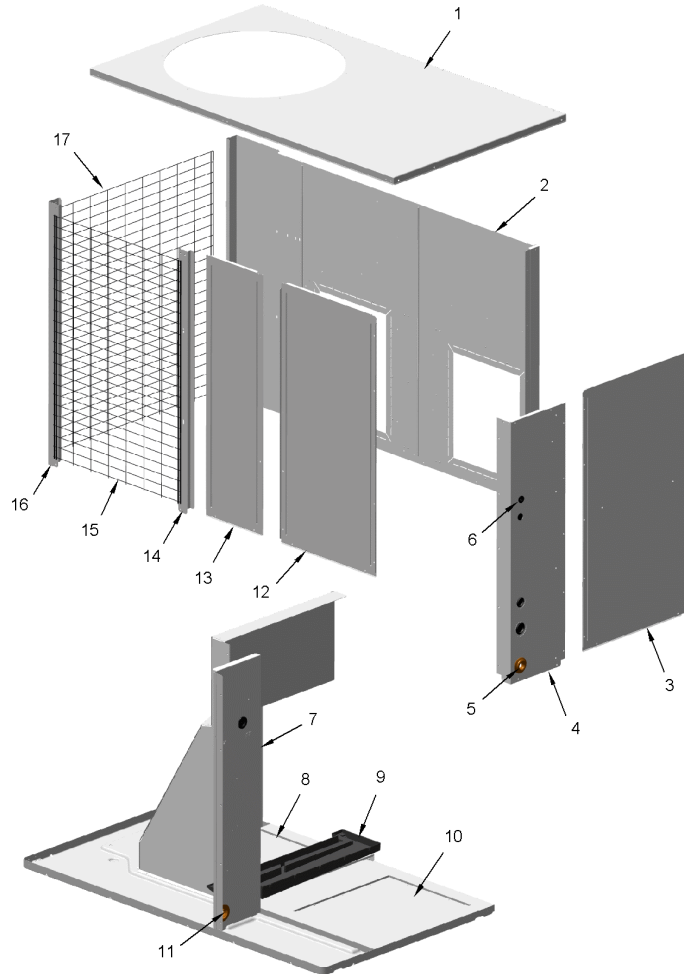
Part No.	Reference No.	Quantity	Description
SCR02108	*	22	SCREW; SCR 10-16 AB HXW 5/8 S
PNL36693	1	1	PANEL; HX PANEL ASSY, BLOWER DECK
PNL36690	2	1	PANEL; HX PANEL ASSY
BLW01602	3	1	BLOWER; DECK ASSY
NUT01063	4	4	NUT; LOCKING NYLON

Part No.	Reference No.	Quantity	Description
000008358~P	*		CABINET PARTS LIST

CABINET

75013628

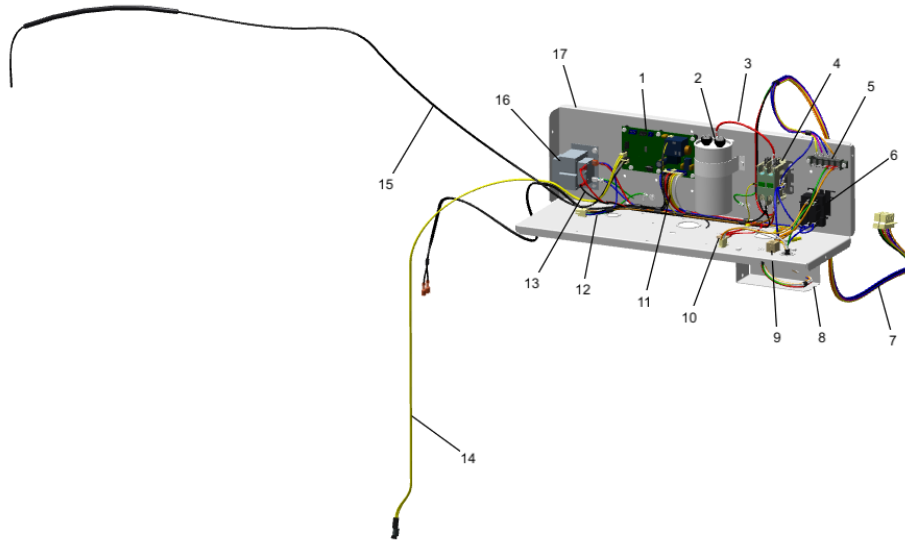
RP
A



This is a typical illustration. The unit in the field may not appear exactly as shown.

Part No.	Reference No.	Quantity	Description
PLN01511	*	1	PLENUM; ASSY-SIDE
COV05735	1	1	COVER; TOP ASSY
PNL36688	2	1	PANEL; S&R PANEL ASSY
BLW01605	3	1	PANEL; BLOWER ACCESS
SUP06571	4	1	SUPPORT; CONTROL BOX CORNER POST
GRM00277	5	1	GROMMET; .96 ID X .05 - .12 GRV, 3/4 IPS
GRM00118	6	1	GROMMET; 3/16 IN ID, NEOPRENE
PNL36684	7	1	PANEL; CONTROL BOX SIDE
COV05736	8	1	COVER; ASSY S/R
PAN04208	9	1	PAN; PLASTIC DRAIN
COV05734	10	1	COVER; SUPPLY & RETURN ASSY
GRM00277	11	1	GROMMET; .96 ID X .05 - .12 GRV, 3/4 IPS
PNL36699	12	1	PANEL; ASSY, CONTROL BOX ACCESS
PNL36686	13	1	PANEL; COIL ACCESS
SUP06569	14	1	SUPPORT; MID-POST
GRL02233	15	1	GRILLE; OD WIRE
SUP06567	16	1	SUPPORT; CORNER POST
GRL02232	17	1	GRILLE; OD WIRE

Part No.	Reference No.	Quantity	Description
000008539~P	*		CONTROLS PARTS LIST



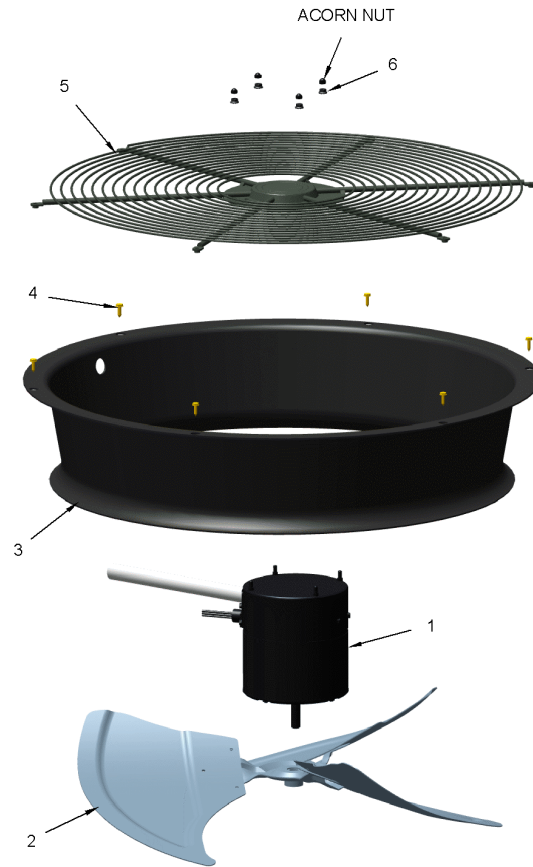
Part No.	Reference No.	Quantity	Description
CNT08176	1	1	CONTROL; DEFROST, 5.5 X 3.0
CPT02362	2a	1	CAPACITOR; RUN, 70 MFD, 370V, OVAL, W/O RESISTOR
SRP00269	2b	1	STRAP; CAPACITOR
WIR09704	3	1	WIRE; HARNESS, CC TO CF, RED WIRE
CTR01333	4	1	CONTACTOR; 2 POLE, NO, 40 FLA AT 240V, 50/60 HZ, 50 RES AMPS, 24V COIL, 40 FLA AT 277/480/600V
BLK01736	5	1	BLOCK; TERMINAL
RLY03876	6	1	RELAY;
COV05654	8	1	COVER; LOW VOLTAGE BARRIER
LUG00014	9	1	LUG, GROUND
FUS01089	10	1	FUSE; 5 AMP, TAN, AUTOMOTIVE STYLE
WIR10029	11	1	WIRE; HARNESS, DFC, FTB, H, CC, CF, TNS, SOV, PPM TO OPTIONAL ELECTRIC HEAT
WIR10030	12	1	WIRE; HARNESS, 6 PIN TO ODM, CC, TNS, P6 TO DFC
WIR09689	13	1	WIRE; HARNESS, POWER, CC TO TNS, 2 WIRES-RD & BK
SEN02853	14	1	SENSOR; COIL TEMP
RES00171	15	1	RESISTOR; THERMISTOR, BLACK (OUTDOOR AIR SENSOR OR AMBIENT SENSOR)
TRR02404	16	1	TRANSFORMER; 50VA, 208/240 V PRI, 24V SEC
BOX03840	17	1	BOX; CONTROL PANEL

Part No.	Reference No.	Quantity	Description
000008319~P	*		FAN PARTS LIST

FAN

75013633

RP
A



This is a typical illustration. The unit in the field may not appear exactly as shown.

FAN PARTS LIST

Parts List Number :0000096908

Model Number :4WCA4060A1000AA

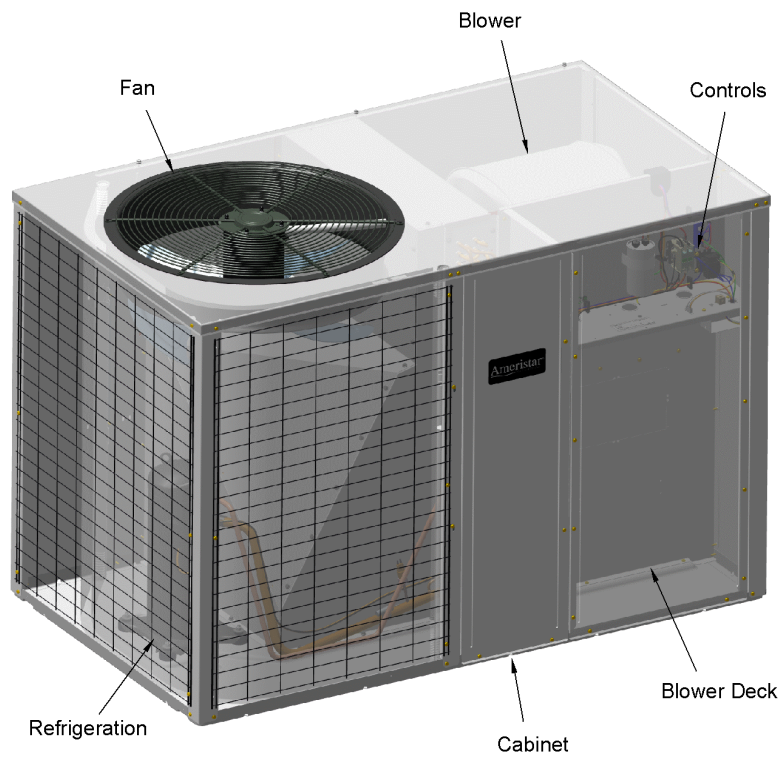
Part No.	Reference No.	Quantity	Description
MOT19252	1	1	MOTOR-OD 1/3 208-230/1
FAN06221	2	1	FAN; 3-BLADE
ORF02078	3	1	ORIFICE-TOP
SCR02108	4	6	SCREW; SCR 10-16 AB HXW 5/8 S
GRL01863	5	1	GRILL; OUTDOOR FAN, WIRE, 26.85 MOUNTING DIA
NUT00845	6	4	NUT; FLANGE NIBBED

Part No.	Reference No.	Quantity	Description
000008320~P	*		GENERAL ASSEMBLY GRAPHIC

14 SEER PACKAGED UNIT

75013624

REV
B



This is a typical illustration. The unit in the field may not appear exactly as shown.

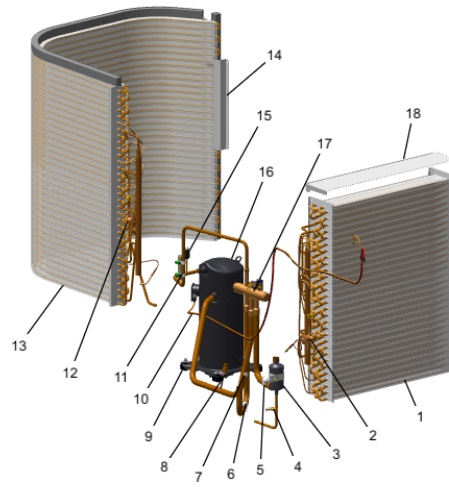
Part No.	Reference No.	Quantity	Description
000008616~P	*		MODEL NUMBER GRAPHIC

MODEL NUMBER DESCRIPTION	75011470	<small>REV</small> C
PACKAGED UNITS		
<i>Example Model Number:</i> 4 Y C Y 5 0 4 8 A 1 0 9 0 A A <small>1 - - - 5 - - - 10 - - - 15</small>		
Digit 1 – Refrigerant 4 = R-410A		
Digit 2 – Type Y = Gas Electric W = Heat Pump D = Dual Fuel T = Air Conditioner		
Digit 3 – Model Tier C = Convertible H = Horizontal (only)		
Digit 4 – Model Tier C = Entry Level X = Upgrade Y = Premium Z = Leadership - (2-Stage) A = RunTru Brand		
Digit 5 – Efficiency Tier 3 = 13 SEER 4 = 14 SEER 5 = 15 SEER 6 = 16 SEER		
Digits 6,7,8 – Capacity in 1000's (BTUH) 018 042 024 048 030 060 036		
Digit 9 – Major Design Change		
Digit 10 – Voltage & Phase 1 = 230V 1 Phase 3 = 230V 3 Phase 4 = 460V 3 Phase		
Digit 11,12,13 – Gas Heat Input (MBTU/H) 000 (AC or HP) 075 040 096 064 120		
Digit 14 – Minor Design Change		
Digit 15 – Service Digit - Not Orderable		
1 of 1		

Part No.	Reference No.	Quantity	Description
000008516~P	*		OPTIONAL ACCESSORIES LIST

Part No.	Reference No.	Quantity	Description
BAYCCHT102A	*	1	KIT; CRANKCASE HEATER, 230V SCROLL COMPRESSORS (BAYCCHT102AA) 6.5-7.5 DIA, 60W, 110L
BAYCURB060A	*	1	KIT; ROOF CURB (BAYCURB060A)
BAYEXMK001A	*	1	KIT; EXTREME CONDITION MOUNTING KIT, USED WITH BAYCURB
BAYEXMK002B	*	1	KIT; EXTREME CONDITION MOUNTING KIT, USED WITH BAYUTIL
BAYEXMK003A	*	1	KIT; EXTREME CONDITION MOUNTING KIT, SLAB MOUNTING
BAYHTR1H08LUGA	*	1	HEATER-SUPPLY
BAYHTR1H10LUGA	*	1	HEATER-SUPPLY
BAYHTR1H15BRKA	*	1	HEATER 15KW-1PH
BAYHTR1H20BRKA	*	1	HEATER 20KW-1PH
BAYHTR1V05LUGA	*	1	HEATER-SUPPLY
BAYLOAM105A	*	1	KIT; LOW AMBIENT COOLING, HEAD PRESSURE CONTROL (BAYLOAM105AA)
BAYQSTK301A	*	1	KIT; QUICK START (BAYQSTK301AA)
BAYSPEK071A	*	1	KIT; SINGLE POWER ENTRY (BAYSPEK071A)
BAYUTIL103A	*	1	KIT; ROOF CURB UTILITY EXTENSION KIT (BAYUTIL103A)

Part No.	Reference No.	Quantity	Description
000008598~P	*		REFRIGERATION PARTS LIST



Part No.	Reference No.	Quantity	Description
COL29649	1	1	COIL; ASSEMBLY; OUTDOOR, FLAT FIN
VAL19629	2	1	VALVE; EXPANSION
DHY01450	3	1	DRIER; BI-FLOW; SERVICE FIRST; 5 CU. IN; DCB053S, 3/8 ODF CONNECTIONS; APPROVED FOR MINERAL OIL AND POE OIL REFRIGERANTS; MANUFACTURED FOR TRANE BY DA
CAP00455	4a	1	CAP; HUB, 7/16-20 STRAIGHT
COR00103	4b	1	CORE; VALVE, .79 LENGTH, .206-36 UNS-1 MOD. THD
TEE00095	4c	1	TEE; COPPER
VAL01483	4d	1	VALVE; BODY, .44-20 THD X .25 ODS, STRAIGHT, BRASS, LESS CORE
CLP01073	5	1	CLIP; BULB (RED)
CLP01073	6	1	CLIP; BULB (RED)
BOD00114	7a	1	BODY; VALVE, BRASS, 7/16 HEX, 7/16 -20 UNF-2A
CAP00455	7b	1	CAP; HUB, 7/16-20 STRAIGHT
COR00103	7c	1	CORE; VALVE, .79 LENGTH, .206-36 UNS-1 MOD. THD
SWT03892	8	1	SWITCH; LOW PRESSURE, 35 PSIG OPEN, 55 PSIG RESET SWITCH
BLT00809	9a	4	BOLT; CARRIAGE, 5/16-18 X 1-3/4
GKT01820	9b	4	GASKET; 3/4 OD X 7/16 ID X .06 THK
ISR00007	9c	4	ISOLATOR; VIBRATION
NUT00355	9d	4	NUT; HEX, LOCK, 5/16IN.-18
NUT00890	9e	4	NUT; PALLET, 5/16-18 UNC 2B THD.
WAS00638	9f	4	WASHER; FLAT, 5/16 INCH
WIR04816	10	1	WIRE; PLUG-SCROLL COMPRESSOR
BAR00178	11a	1	BAR; STEEL, 3.70 X .75 DIA
CMP01450	11b	2	CLAMP; HOSE, 11/16 - 1-1/4, 1/2 W, 5/16 HEX SCREW, STAINLESS STEEL
VAL19749	12	1	VALVE; EXPANSION
COL30385	13	1	COIL; ASM-ID
PLT06752	14	1	PLATE; OD COIL BRACKET REAR PLATE FIN
SWT03274	15	1	SWITCH, HIGH PRESSURE, SPST, OPEN @ 650 PSIG, CLOSE @ 500 PSIG, 75" YELLOW LEAD
COM11769	16	1	COMPRESSOR; SCROLL; ALLIANCE; SBA051B1CPA, 4.25 TON; 51,000 BTUH; 208/230-60-1; R-410A; BRAZED; SUCTION 7/8; DISCHARGE 1/2; RLA 27.1
VAL08884	17	1	VALVE; SWITCHOVER, 6 TON, 5/8 IN ODF X 7/8 IDF CONNECTION (INCLUDES SOLENOID COIL)